



CALL NO. 337

CONTRACT ID. 202281

JEFFERSON COUNTY

FED/STATE PROJECT NUMBER FD05 056 1703 004-006

DESCRIPTION BAXTER AVENUE (KY 1703)

WORK TYPE ASPHALT RESURFACING

PRIMARY COMPLETION DATE 6/30/2021

LETTING DATE: September 25,2020

Sealed Bids will be received electronically through the Bid Express bidding service until 10:00 am EASTERN DAYLIGHT TIME September 25,2020. Bids will be publicly announced at 10:00 am EASTERN DAYLIGHT TIME.

NO PLANS ASSOCIATED WITH THIS PROJECT.

DEFERRED PAYMENT

REQUIRED BID PROPOSAL GUARANTY: Not less than 5% of the total bid.

TABLE OF CONTENTS

PART I	SCOPE OF WORK
	<ul style="list-style-type: none">• PROJECT(S), COMPLETION DATE(S), & LIQUIDATED DAMAGES• CONTRACT NOTES• STATE CONTRACT NOTES• DEFERRED PAYMENT• SURFACING AREAS• ASPHALT MIXTURE• INCIDENTAL SURFACING• COMPACTION OPTION A• SPECIAL NOTE(S) APPLICABLE TO PROJECT• WASTE AND BORROW SITES• MANHOLE ADJUSTMENT LOUISVILLE MSD• WATER VALVE ADJUSTMENT (LWC)• ASPHALT MILLING AND TEXTURING• TYPICAL SECTION DIMENSIONS• SIDEWALK RAMPS & DETECTABLE WARNINGS• TRAFFIC CONTROL PLAN 2 LANE• TRAFFIC SIGNAL LOOP DETECTORS• SKETCH MAP(S)• SUMMARY SHEET(S)• TYPICAL SECTION(S)• BRIDGE DETAIL FOR PAVING PROJECT
PART II	SPECIFICATIONS AND STANDARD DRAWINGS
	<ul style="list-style-type: none">• SPECIFICATIONS REFERENCE• SUPPLEMENTAL SPECIFICATION• 2020 STANDARD DRAWINGS THAT APPLY
PART III	EMPLOYMENT, WAGE AND RECORD REQUIREMENTS
	<ul style="list-style-type: none">• LABOR AND WAGE REQUIREMENTS• EXECUTIVE BRANCH CODE OF ETHICS• KENTUCKY EQUAL EMPLOYMENT OPPORTUNITY ACT OF 1978 LOCALITY / STATE• PROJECT WAGE RATES / STATE FUNDED
PART IV	INSURANCE
PART V	BID ITEMS

PART I
SCOPE OF WORK

ADMINISTRATIVE DISTRICT - 05

CONTRACT ID - 202281

FD05 056 1703 004-006

COUNTY - JEFFERSON

PCN - MP05617032001

FD05 056 1703 004-006

BAXTER AVENUE (KY 1703) (MP 4.765) BEGINNING AT US60A/EASTERN PARKWAY EXTENDING NORTH TO US
31E/BARDSTOWN ROAD. (MP 5.682), A DISTANCE OF 0.91 MILES.ASPHALT RESURFACING
GEOGRAPHIC COORDINATES LATITUDE 38:14:05.00 LONGITUDE 85:43:12.00

COMPLETION DATE(S):

COMPLETED BY 06/30/2021

APPLIES TO ENTIRE CONTRACT

CONTRACT NOTES

PROPOSAL ADDENDA

All addenda to this proposal must be applied when calculating bid and certified in the bid packet submitted to the Kentucky Department of Highways. Failure to use the correct and most recent addenda may result in the bid being rejected.

BID SUBMITTAL

Bidder must use the Department's electronic bidding software. The Bidder must download the bid file located on the Bid Express website (www.bidx.com) to prepare a bid packet for submission to the Department. The bidder must submit electronically using Bid Express.

JOINT VENTURE BIDDING

Joint venture bidding is permissible. All companies in the joint venture must be prequalified in one of the work types in the Qualifications for Bidders for the project. The bidders must get a vendor ID for the joint venture from the Division of Construction Procurement and register the joint venture as a bidder on the project. Also, the joint venture must obtain a digital ID from Bid Express to submit a bid. A joint bid bond of 5% may be submitted for both companies or each company may submit a separate bond of 5%.

UNDERGROUND FACILITY DAMAGE PROTECTION

The contractor shall make every effort to protect underground facilities from damage as prescribed in the Underground Facility Damage Protection Act of 1994, Kentucky Revised Statute KRS 367.4901 to 367.4917. It is the contractor's responsibility to determine and take steps necessary to be in compliance with federal and state damage prevention directives. When prescribed in said directives, the contractor shall submit Excavation Locate Requests to the Kentucky Contact Center (KY811) via web ticket entry. The submission of this request does not relieve the contractor from the responsibility of contacting non-member facility owners, whom shall be contacted through their individual Protection Notification Center. Non-compliance with these directives can result in the enforcement of penalties.

REGISTRATION WITH THE SECRETARY OF STATE BY A FOREIGN ENTITY

Pursuant to KRS 176.085(1)(b), an agency, department, office, or political subdivision of the Commonwealth of Kentucky shall not award a state contract to a person that is a foreign entity required by [KRS 14A.9-010](#) to obtain a certificate of authority to transact business in the Commonwealth ("certificate") from the Secretary of State under [KRS 14A.9-030](#) unless the person produces the certificate within fourteen (14) days of the bid or proposal opening. If the foreign entity is not required to obtain a certificate as provided in [KRS 14A.9-010](#), the foreign entity should identify the applicable exception. Foreign entity is defined within [KRS 14A.1-070](#).

For all foreign entities required to obtain a certificate of authority to transact business in the Commonwealth, if a copy of the certificate is not received by the contracting agency within the time frame identified above, the foreign entity's solicitation response shall be deemed non-responsive or the awarded contract shall be cancelled.

Businesses can register with the Secretary of State at <https://secure.kentucky.gov/sos/ftbr/welcome.aspx>.

SPECIAL NOTE FOR PROJECT QUESTIONS DURING ADVERTISEMENT

Questions about projects during the advertisement should be submitted in writing to the Division of Construction Procurement. This may be done by fax (502) 564-7299 or email to kytc.projectquestions@ky.gov. The Department will attempt to answer all submitted questions. The Department reserves the right not to answer if the question is not pertinent or does not aid in clarifying the project intent.

The deadline for posting answers will be 3:00 pm Eastern Daylight Time, the day preceding the Letting. Questions may be submitted until this deadline with the understanding that the later a question is submitted, the less likely an answer will be able to be provided.

The questions and answers will be posted for each Letting under the heading "Questions & Answers" on the Construction Procurement website (www.transportation.ky.gov/contract). The answers provided shall be considered part of this Special Note and, in case of a discrepancy, will govern over all other bidding documents.

HARDWOOD REMOVAL RESTRICTIONS

The US Department of Agriculture has imposed a quarantine in Kentucky and several surrounding states, to prevent the spread of an invasive insect, the emerald ash borer. Hardwood cut in conjunction with the project may not be removed from the state. Chipping or burning on site is the preferred method of disposal.

INSTRUCTIONS FOR EXCESS MATERIAL SITES AND BORROW SITES

Identification of excess material sites and borrow sites shall be the responsibility of the Contractor. The Contractor shall be responsible for compliance with all applicable state and federal laws and may wish to consult with the US Fish and Wildlife Service to seek protection under Section 10 of the Endangered Species Act for these activities.

ACCESS TO RECORDS

The contractor, as defined in KRS 45A.030 (9) agrees that the contracting agency, the Finance and Administration Cabinet, the Auditor of Public Accounts, and the Legislative Research Commission, or their duly authorized representatives, shall have access to any books, documents, papers, records, or other evidence, which are directly pertinent to this contract for the purpose of financial audit or program review. Records and other prequalification information confidentially

disclosed as part of the bid process shall not be deemed as directly pertinent to the contract and shall be exempt from disclosure as provided in KRS 61.878(1)(c). The contractor also recognizes that any books, documents, papers, records, or other evidence, received during a financial audit or program review shall be subject to the Kentucky Open Records Act, KRS 61.870 to 61.884.

In the event of a dispute between the contractor and the contracting agency, Attorney General, or the Auditor of Public Accounts over documents that are eligible for production and review, the Finance and Administration Cabinet shall review the dispute and issue a determination, in accordance with Secretary's Order 11-004.

April 30, 2018

SPECIAL NOTE FOR RECIPROCAL PREFERENCE

RECIPROCAL PREFERENCE TO BE GIVEN BY PUBLIC AGENCIES TO RESIDENT BIDDERS

By reference, KRS 45A.490 to 45A.494 are incorporated herein and in compliance regarding the bidders residency. Bidders who want to claim resident bidder status should complete the Affidavit for Claiming Resident Bidder Status along with their bid in the electronic bidding software. Submittal of the Affidavit should be done along the bid in Bid Express.

April 30, 2018

DEFERRED PAYMENT

The Department will issue a work order with the distinct understanding that payment for any Pay Estimates may be delayed until January 31, 2021.

SURFACING AREAS

The Department estimates the mainline surfacing width to be varied 36-40 feet.

The Department estimates the total mainline area to be surfaced to be 19,517 square yards.

The Department estimates the shoulder width to be 0 feet on each side.

The Department estimates the total shoulder area to be surfaced to be 0 square yards.

ASPHALT MIXTURE

Unless otherwise noted, the Department estimates the rate of application for all asphalt mixtures to be 110 lbs/sy per inch of depth.

INCIDENTAL SURFACING

The Department has included in the quantities of asphalt mixtures established in the proposal estimated quantities required for resurfacing or surfacing mailbox turnouts, farm field entrances, residential and commercial entrances, curve widening, ramp gores and tapers, and road and street approaches, as applicable. Pave these areas to the limits as shown on Standard Drawing RPM-110-06 or as directed by the Engineer. In the event signal detectors are present in the intersecting streets or roads, pave the crossroads to the right of way limit or back of the signal detector, whichever is the farthest back of the mainline. Surface or resurface these areas as directed by the Engineer. The Department will not measure placing and compacting for separate payment but shall be incidental to the Contract unit price for the asphalt mixtures.

OPTION A

Be advised that the Department will accept compaction of asphalt mixtures furnished for driving lanes and ramps, at 1 inch (25mm) or greater, on this project according to OPTION A in accordance with Section 402 and Section 403 of the current Standard Specifications. The Department will require joint cores as described in Section 402.03.02 for surface mixtures only. The Department will accept compaction of all other asphalt mixtures according to OPTION B.

Special Note for Historic Concrete Mix

When specified as Historic, provide a concrete mix which meets the following requirements:

Shall provide a minimum 28 day compressive strength of 3500 psi

Mix shall contain a percentage of Coarse Aggregates and
shall not be produced using only Fine Aggregates / Sand

Approved Coarse Aggregates – #67 Gravel, #8 Gravel or River Gravel

A Surface Retarder shall be used to provide a “historic” weathered finish. Placement and removal of the retarder shall be considered incidental to the concrete being provided.

**SPECIAL NOTE FOR
PAVEMENT MARKING MODIFICATIONS**

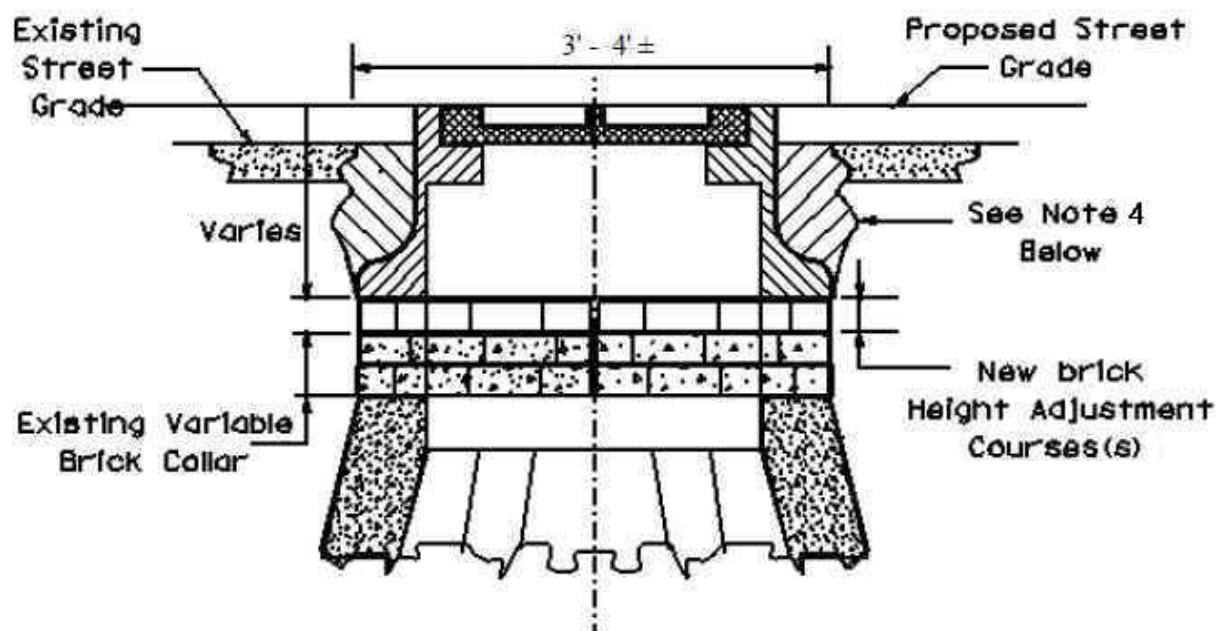
This Proposal may include drawings depicting anticipated pavement marking modifications along the route to be resurfaced. However, per Section 713.03.01 of the Standard Specifications, the Contractor shall still be required to submit a record of existing pavement markings prior to beginning resurfacing activities. The Department requests these records be submitted at least two weeks prior to milling or paving in order to coordinate all desired changes between the District Striping Engineer and the Contractor. All changes will be returned to the Contractor to ensure the desired modifications can be performed during final surfacing. As the Contractor is responsible for implementing any pavement marking changes, it is highly recommended any questions are addressed to the Engineer prior to striping. Any incorrect markings will be removed and replaced with the proper markings at the Contractor's expense and in a manner approved by the Engineer.

SPECIAL PROVISION FOR WASTE AND BORROW SITES

Obtain U.S. Army Corps of Engineer's approval before utilizing a waste or borrow site that involves "Waters of the United States". The Corps of Engineers defines "Waters of the United States" as perennial or intermittent streams, ponds or wetlands. The Corps of Engineers also considers ephemeral streams, typically dry except during rainfall but having a defined drainage channel, to be jurisdictional waters. Direct questions concerning any potential impacts to "Waters of the United States" to the attention of the appropriate District Office for the Corps of Engineers for a determination prior to disturbance. Be responsible for any fees associated with obtaining approval for waste and borrow sites from the U.S. Army Corps of Engineer or other appropriate regulatory agencies.

1-296 Waste & Borrow Sites
01/02/2012

SPECIAL NOTE FOR MANHOLE ADJUSTMENT LOUISVILLE METROPOLITAN SEWER DISTRICT (MSD)

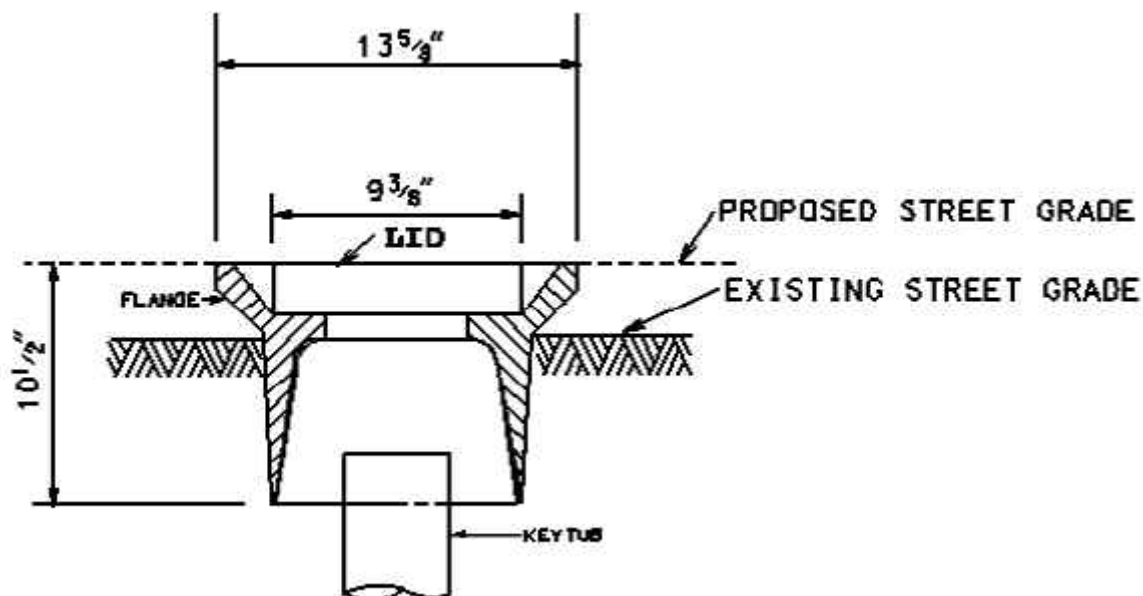


NOT TO SCALE

CONSTRUCTION NOTES:

1. The Engineer will determine whether manhole adjustments are to be made prior to or after milling and/or resurfacing.
2. Reuse existing frames, grates, and covers. Use other materials conforming to MSD's Technical Specifications. Obtain these specifications from MSD's Engineering Division Office, 400 South Sixth Street, Louisville, KY 40202.
3. Report any missing or damaged frame, grate, or cover discovered by the Contractor to MSD's inspector. Obtain replacement hardware items from MSD's Storage Yard, 151 Cabel Street, Louisville, KY, upon presentation of an MSD inspector's validated Stores Requisition and exchange for the damaged hardware items.
4. Adjust manhole frame and grates with brick and mortar as shown on the drawing or as directed by the Engineer. Do not use wood shims or blocks to adjust or reset the frame height. Fill cross-hatched area with concrete having a minimum 28-day compressive strength of 2000 psi. Use first class workmanship in conformity with MSD's Technical Specifications.
5. Adjust catch basin frames and grates in similar manner as manhole adjustments as approved by the Engineer.
6. Louisville MSD and/or the Engineer may inspect manhole and/or catch basin frame height adjustments. Make corrections as directed by the Engineer at no additional cost to the Department.
7. The Department will measure and pay Adjust Manhole Frame to Grade according to Sections 403.04.02 and 403.05.01 or Sections 408.04.04 and 408.05.02 as applicable.

SPECIAL NOTES FOR WATER VALVE ADJUSTMENT LOUISVILLE WATER COMPANY (LWC)



1. Unless directed otherwise by the Engineer, adjust all water valve boxes to grade during resurfacing operations. For streets to be milled prior to resurfacing, either mill around the valve box or remove the round top and replace it prior to paving as approved by the Engineer.
2. Immediately prior to paving, work the round top loose by prying with a crowbar or cold chisel under the flange. If necessary, free round tops located in concrete streets with jackhammer. During paving, the contractor has the option to place cold patch under the flange or leave the round top loose. During paving, raise the round top to grade and install with an adequate amount of compacted asphalt placed under the flange to prevent future settlement. Keep the keytube free of millings and/or foreign objects (rocks, asphalt, broken castings).
3. Replace all valve boxes damaged during removal with the standard round top furnished by the Louisville Water Company. A supply of round tops is available at the Louisville Water Company Distribution Center, 4801 Allmond Avenue.
4. LWC estimates that approximately 5% of valve box assemblies may be a different style one piece cast iron round top and keytube. When these are encountered, cut the valve box off five (5) inches below existing grade and replace with the standard valve box available at the Louisville Water Company's yard.
5. The Louisville Water Company and/or the Engineer will inspect all adjusted water valve boxes after paving. Adjust any valve boxes which are paved over or adjusted water valve boxes determined by the Engineer or LWC to be substandard in workmanship by cutting out in a 2 feet square, raised to grade, and repaving with hot mix asphalt. Perform all corrective work at no additional expense to the Department,
6. The Department will measure Adjust Water Valve in individual units, each. Payment at the Contract unit price shall be full compensation for all labor, equipment, materials, and incidentals for adjusting water valve boxes to grade according to these notes and as directed by the Engineer.

SPECIAL NOTE FOR ASPHALT MILLING AND TEXTURING

Begin paving operations within **48 hours** of commencement of the milling operation. Continue paving operations continuously until completed. If paving operations are not begun within this time period, the Department will assess liquidated damages at the rate prescribed by Section 108.09 until such time as paving operations are begun.

Contrary to Section 408, the Department will retain possession of the material obtained from the milling operations. Deliver this material to the State Maintenance facility on Poplar Level Road in Jefferson County.

NOTICE TO CONTRACTOR: The Department considers transfer of millings to the state maintenance facility to be a part of the construction project, therefore truck operators are subject to receiving prevailing wages.

1-3530 48 hours State keeps millings
01/2/2012

SPECIAL NOTE FOR TYPICAL SECTION DIMENSIONS

Consider the dimensions shown on the typical sections for pavement and shoulder widths and thickness' to be nominal or typical dimensions. The Engineer may direct or approve varying the actual dimensions to be constructed to fit existing conditions. Do not widen existing pavement or shoulders unless specified elsewhere in this proposal or directed by the engineer.

1-3725 Typical Section Dimensions
01/02/2012

SPECIAL NOTE FOR CONSTRUCTION OF SIDEWALK RAMPS

GENERAL

Unless otherwise stated in the contract, or as directed by or with prior approval from the Engineer, construct sidewalk ramps and adjacent roadway features in accordance with Section 505 of the Standard Specifications; Supplemental Specifications; Standard Drawings RPM-100-10, RPM-150-08, RPM-152-08, RPM-170-09, RPM-172-07, RGX-040-03; current editions as applicable.

Saw cut existing sidewalks, curb and gutter, and pavement, if present, and reconstruct sidewalk ramps with detectable warnings as directed or approved by the Engineer. Unless specified otherwise in the Contract, construct concrete sidewalk with 4" nominal minimum required thickness; however, if the existing sidewalk thickness is found to be greater or less than the thickness specified, transition the thickness as directed by the Engineer.

During the work to bring the existing sidewalk ramps into current ADA standards, the elevation of the new ramp may be above the grade of the existing roadway. Following completion of the new sidewalk ramp, if a grade difference of 1/2" or greater exists between any portion of the new ramp and roadway, and more than 14 days will pass prior to beginning resurfacing, the Contractor will be required to install asphalt wedges to ensure the sidewalk facilities remain accessible until resurfacing activities begin. Failure to maintain access to the new sidewalk ramps could result in Liquidated Damages being applied at a rate of \$200/day after 14 days. All liquidated damages will be applied cumulatively.

Except as required by the work or directed by the Engineer, do not disturb drainage pipes, catch basins and other roadway features on public or private property. Restore and/or re-install any damaged and/or disturbed features and private property in like kind materials and design at no additional cost to the Department. Dispose of all waste off the right of way at sites obtained by the Contractor at no additional cost to the Department (see SPECIAL PROVISION FOR WASTE AND BORROW SITES). Following completion of the concrete work, backfill and regrade all disturbed areas to ensure they are flush with the sidewalk and back slopes match or are flatter than the pre-construction conditions. Seed and protect all disturbed earthen areas using Seed Mix Type I. Remove all construction debris, rocks and other undesirable material from the disturbed areas prior to seeding.

If the sidewalk ramp work is located at a signalized intersection, the sidewalk Contractor is to coordinate with the electrical Contractor and Engineer to ensure the necessary electrical components are located and installed prior to installing the new sidewalk ramp, such as but not limited to conduit and junction boxes. Following construction of new sidewalk, the Department will not be responsible for additional work required to complete the installation of the required electrical components due to improper planning or coordination. Any damage resulting to traffic signal or other electrical facilities shall be repaired at no cost to the Department (see SPECIAL NOTE FOR TRAFFIC SIGNAL LOOP DETECTORS for more information).

The Contractor shall be responsible to ensure that all sidewalk ramp landings meet flush with the final asphalt surface and maintain positive drainage following the completion of the concrete work and resurfacing, regardless of the existing conditions. This work should be coordinated between the sidewalk and paving Contractors to ensure the final product does not cause standing water or negatively affects the ride quality of the roadway.

Although the bid item for curb & gutter and header curb are considered modified, the installed item shall conform as closely to the standard drawing as field conditions permit or as directed by the Engineer. For example, header curb shall have a thickness of 7 inches and minimum depth of 12 inches below the pavement surface with the top modified to match surrounding conditions. Also, curb and gutter shall have a gutter depth of at least 8 inches with the thickness and curb varying to match existing conditions. Unless otherwise directed by the Engineer or if field conditions prohibit, ensure minimum 1-inch/1-foot (8.33%) transitions on all curb drawdowns, both adjacent to the roadway and parallel with the sidewalk and sidewalk ramp.

In the event that a location requires sidewalk thicker than 4 inches, the additional thickness, as requested by the Department, will be measured and included for payment as mass concrete on a future change order. Also, if the curb alignment is modified, creating a void between the new curb/gutter and existing pavement, the void will be filled with Class A concrete and shall be included for payment as mass concrete.

MEASUREMENT & PAYMENT (see attached payment example for additional detail)

SIDEWALK-4 IN CONCRETE – The Department will measure the new sidewalk and sidewalk ramps in accordance with Section 505.04 of the current Standard Specifications. The Department will not measure Roadway Excavation or Embankment in Place, but shall consider this work to be incidental to the bid item SIDEWALK-4 IN CONCRETE. Accept payment at the Contract unit price per square yard as full compensation for all labor, materials, equipment, and incidentals required for removal and disposal of existing sidewalk, excavation and embankment, construction of the sidewalk and ramps, and restoration of disturbed features in accordance with these notes or as directed by the Engineer. The bid item for SIDEWALK-4 IN CONCRETE will **NOT** include any curb and/or gutter along the edge of pavement, even if the curb and/or gutter is poured monolithic with the sidewalk. However, any curb not continually adjacent to the edge of pavement will be included in the measured square area of sidewalk and no additional compensation will be made regardless of depth or height (ie. back curb, curb returns, etc.). In the event that a small utility or curb box hood requires adjusting as part of this work, no additional compensation shall be made and will be considered incidental to the bid item for SIDEWALK-4 IN CONCRETE.

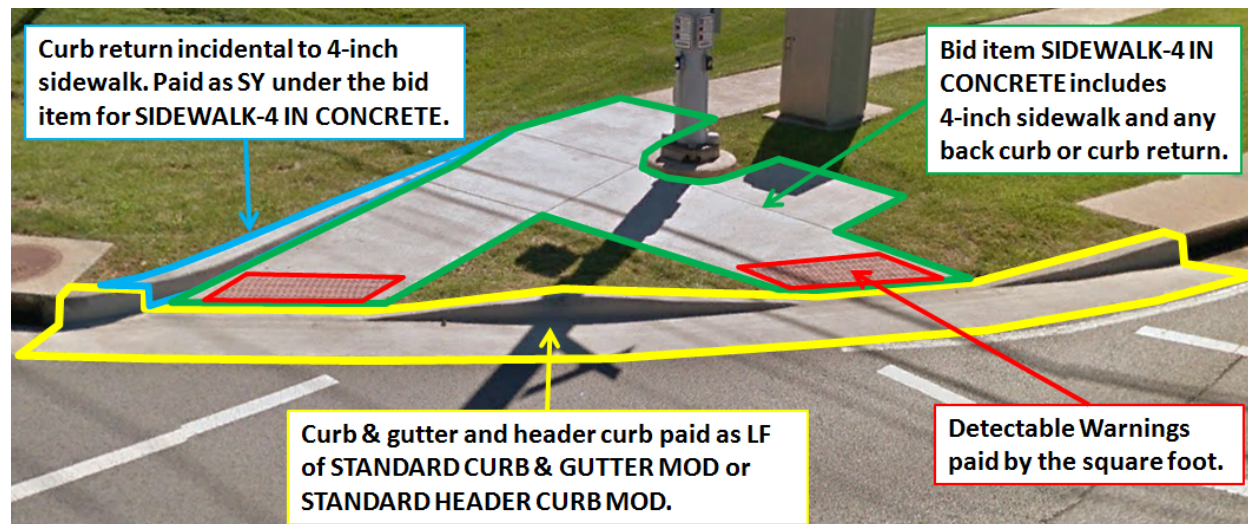
DETECTABLE WARNINGS – The Department will measure and make payment for Detectable Warnings in accordance with Section 505 of the Standard Specifications, Standard Drawing RGX-040-02 and Sepia 028, current editions.

STANDARD CURB AND GUTTER MOD – The Department will measure and make payment for curb and gutter in accordance with Section 506 of the current Standard Specifications. Curb and gutter will be measured for the full length installed, including the area between the sidewalk ramp and roadway pavement. Accept payment at the Contract unit price per linear foot as full compensation for all labor, materials, equipment and incidentals required for removal and disposal of the existing curb and gutter, grade adjustments, transitions, restoration of adjacent pavement and disturbed areas, and all other work necessary to install the new curb and gutter to meet current ADA standards, Standard Drawing RPM-100-09 and the satisfaction of the Engineer. In the event that a small utility or curb box hood requires adjusting as part of this work, no additional compensation shall be made and will be considered incidental to the bid item for STANDARD CURB AND GUTTER MOD.

STANDARD HEADER CURB MOD – The Department will measure and make payment for header curb in accordance with Section 506 of the current Standard Specifications. Header curb will be measured for the full length installed, including the area between the sidewalk ramp and roadway pavement. Accept payment at the Contract unit price per linear foot as full compensation for all labor, materials, equipment and incidentals required for removal and disposal of the existing curb, grade adjustments, transitions, restoration of adjacent pavement and disturbed areas, and all other work necessary to install the new header curb to meet current ADA standards, Standard Drawing RPM-100-09 and the satisfaction of the Engineer. In the event that a small utility or curb box hood requires adjusting as part of this work, no additional compensation shall be made and will be considered incidental to the bid item for STANDARD HEADER CURB MOD.

MASS CONCRETE – The Department will measure and make payment for mass concrete in accordance with Section 601.04 of the current Standard Specifications. The change order bid item for Mass Concrete shall include all work necessary to excavate, grade, form and pour the extra thick sidewalk or fill the void between new curb/gutter and existing pavement. The change order unit price shall be two times the invoice price of the concrete with no markups applied.

SIDEWALK RAMP PAYMENT EXAMPLE



TRAFFIC CONTROL PLAN

TRAFFIC CONTROL GENERAL

Except as provided herein, maintain and control traffic in accordance with the Standard and Supplemental Specifications and the Standard and Sepia Drawings, current editions. Except for the roadway and traffic control bid items listed, all items of work necessary to maintain and control traffic will be paid at the lump sum bid price to "Maintain and Control Traffic".

Contrary to Section 106.01, furnish new, or used in like new condition, traffic control devices at the beginning of the work and maintain in like new condition until completion of the work.

PROJECT PHASING & CONSTRUCTION PROCEDURES

The Engineer may specify days and hours when lane closures will not be allowed.

Maintain alternating one way traffic during construction. Provide a minimum clear lane width of 12 feet; however, provide for passage of vehicles of up to 16 feet in width. If traffic should be stopped due to construction operations, and a school bus on an official run arrives on the scene, make provisions for the passage of the bus as quickly as possible.

LANE CLOSURES

Do not leave lane closures in place during non-working hours. Contractor will be allowed to work the following:

Monday	8:00 AM – 4 PM
Tuesday	8:00 AM – 4 PM
Wednesday	8:00 AM – 4 PM
Thursday	8:00 AM – 4 PM
Friday	8:00 AM – 4 PM
Saturday	8:00 AM – 4 PM

SIGNS

Sign posts and splices shall be compliant with NCHRP 350 or MASH. Manufacturer's documentation validating this compliance shall be provided to the Engineer prior to installation. Signs, including any splices, shall be installed according to manufacturer's specifications and installation recommendations. Contrary to section 112.04.02, only long-term signs (signs intended

Traffic Control Plan
Page 2 of 4

to be continuously in place for more than 3 days) will be measured for payment. Short-term signs (signs intended to be left in place for 3 days or less) will not be measured for payment but will be incidental to Maintain and Control Traffic.

CHANGEABLE MESSAGE SIGNS

If deemed necessary by the Engineer, the Department will furnish, operate, and maintain Changeable Message Signs.

TEMPORARY ENTRANCES

The Engineer will not require the Contractor to provide continuous access to farms, single family, duplex, or triplex residential properties during working hours; however, provide reasonable egress and ingress to each such property when actual operations are not in progress at that location. Limit the time during which a farm or residential entrance is blocked to the minimum length of time required for actual operations, not extended for the Contractor's convenience, and in no case exceeding six (6) hours. Notify all residents twenty-four hours in advance of any driveway or entrance closings and make any accommodations necessary to meet the access needs of disabled residents.

Except as allowed by the Phasing as specified above, maintain direct access to all side streets and roads, schools, churches, commercial properties and apartments or apartment complexes of four or more units at all times.

The Department will measure asphalt materials required to construct and maintain any temporary entrances which may be necessary to provide temporary access; however, the Department will not measure aggregates, excavation, and/or embankment, but shall be incidental to Maintain and Control Traffic. The Engineer will determine the type of surfacing material, asphalt or aggregate, to be used at each entrance.

TRAFFIC SIGNAL LOOPS

Install traffic signal loops according to the Special Notes for Traffic Signal Loop Replacement. Coordinate the placement of the loops with the Engineer.

THERMOPLASTIC INTERSECTION MARKINGS

Consider the locations listed on the summary as approximate only. Prior to milling and/or resurfacing, locate and document the locations of the existing markings. After resurfacing, replace the markings at their approximate existing locations or as directed by Engineer. Place

Traffic Control Plan
Page 3 of 4

markings not existing prior to resurfacing as directed by the Engineer.

BARRICADES

The Department will not measure barricades used in lieu of barrels and cones for channelization or delineation, but shall be incidental to Maintain and Control Traffic according to Section 112.04.01.

The Department will measure barricades used to protect pavement removal areas in individual units Each. The Department will measure for payment the maximum number of barricades in concurrent use at the same time on a single day on all sections of the contract. The Department will measure individual barricades only once for payment, regardless of how many times they are set, reset, removed, and relocated during the duration of the project. The Department will not measure replacements for damaged barricades the Engineer directs to be replaced due to poor condition or reflectivity. Retain possession of the Barricades upon completion of construction.

PAVEMENT MARKINGS

If there is to be a deviation from the existing striping plan, the Engineer will furnish the Contractor a striping plan prior to placement of the final surface course.

Install Temporary Striping according to Section 112 with the following exception:

If the Contractor's operations or phasing requires temporary markings that must subsequently be removed from the final surface course, use an approved removable lane tape; however, the Department will not measure removable lane tape for separate payment, but will measure and pay for removable lane tape as temporary striping.

PAVEMENT EDGE DROP-OFFS

Do not allow a pavement edge between opposing directions of traffic or lanes that traffic is expected to cross in a lane change situation with an elevation difference greater than 1½". Place Warning signs (MUTCD W8-11 or W8-9A) in advance of and at 1500' intervals throughout the drop-off area. Dual post the signs on both sides of the traveled way. Wedge all transverse transitions between resurfaced and unresurfaced areas which traffic may cross with asphalt mixture for leveling and wedging. Remove the wedges prior to placement of the final surface course.

Protect pavement edges that traffic is not expected to cross, except accidentally, as follows:

Less than 2" - No protection required.

Traffic Control Plan

Page 4 of 4

2" to 4" - Place plastic drums, vertical panels, or barricades every 50 feet. During daylight working hours only, the Engineer will allow the Contractor to use cones in lieu of plastic drums, panels, and barricades. Wedge the drop-off with DGA or asphalt mixture for leveling and wedging with a 1:1 or flatter slope in daylight hours, or 3:1 or flatter slope during nighttime hours, when work is not active in the drop-off area.

Greater than 4" - Protect drop-offs greater than 4 inches within 10 feet of traffic by placing drums, vertical panels, or barricades every 25 feet. The Engineer will not allow the use of cones in lieu of drums, vertical panels, or barricades for drop-offs greater than 4". Place Type III Barricades directly in front of the drop-off facing on coming traffic in both directions of travel. Provide warning signs as shown on the Standard Drawings or as directed by the Engineer

Pedestrians & Bicycles - Protect pedestrian and bicycle traffic as directed by the engineer.

SPECIAL NOTE FOR TRAFFIC SIGNAL LOOP DETECTORS

1.0 DESCRIPTION. Be advised that there are existing traffic signal loop detectors within the construction limits of this project. Except as specified herein, perform traffic signal loop replacement in accordance with the Department's Standard/Supplemental Specifications, Special Provisions, Special Notes, and Standard/Sepia Drawings, current editions and as directed by the Engineer. Article references are to the Standard Specifications. Furnish all materials, labor, equipment, and incidentals for replacement of traffic signal loop installation(s) and all other work specified as part of this contract.

1.1 Pre-bid Requirements. Conform to Subsection 723.03.17

2.0 MATERIALS. Except as specified herein, furnish materials in accordance with Subsection 732.02 and Section 835. Provide for materials to be sampled and tested in accordance with the Department's Sampling Manual. Make materials available for sampling a sufficient time in advance of the use of the materials to allow for the necessary time for testing, unless otherwise specified in this Special Note.

2.1 Maintain and Control Traffic. See Traffic Control Plan.

2.2 Sand. Furnish natural sand meeting the requirements of Subsection 804.04.01.

2.3 Seeding. Furnish Seed Mix Type I.

2.4 Loop Saw Slot and Fill. Furnish loop sealant, backer rod, and non-shrink grout according to the Saw Slot Detail.

2.5 Junction Boxes. Furnish junction box type B, #57 aggregate, and geotextile filter type IV according to junction box detail.

2.6 Cable No. 14/1 Pair (Lead-in). Furnish cable that is specified in Section 835. Cable shall be ran splice free. This shall include splice kits to connect to the loop wire.

2.7 Conduit. Furnish and install appropriate conduit from transitions to the roadway, junction boxes and poles. See details below.

3.0 CONSTRUCTION. Except as specified herein, install and test Traffic Signal Loop Detectors in accordance with Section 723 and the drawings.

3.1 Testing. Conform to Subsection 723.03.17 (A)

3.2 Coordination. Conform to Subsection 723.03.17 (B)

3.3 Connection. Conform to Subsection 723.03.17 (C)

3.4 Maintain and Control Traffic. See Traffic Control Plan.

3.5 Milling. Conform to Subsection 723.03.17 (F)

3.6 Loop Saw Slot and Fill. Conform to Subsection 723.03.13 (A).

Traffic Signal Loop Detectors
 Page 2 of 8

3.7 Backfilling and Disturbed Areas. Conform to Subsection 723.03.11.

3.8 Removal. Conform to Subsection 723.03.16.

3.9 Property/Roadway Damage. Conform to Subsection 723.03.17 (J).

3.10 Right-of-Way Limits. Conform to Subsection 723.03.17 (K).

3.11 Utility Clearance. Conform to Subsection 716.03.01.

3.12 Control. Obtain the Engineer’s approval of all designs required to be furnished by the Contractor prior to incorporation into the work. The Department reserves the right to permit other contractors, state forces, public utility companies, and others to do work during the construction within the limits of, or adjacent to, the project. Conduct operations and cooperate with such other parties so that interference with each other’s work will be reduced to a minimum. The Contractor agrees to make no claims against the Department for additional compensation due to delays or other conditions created by the operations of such other parties. Should a difference of opinion arise as to the rights of the Contractor and others working within the limits of, or adjacent to, the project, the Engineer will decide as to the respective rights of the various parties involved in order to ensure the completion of the work in general harmony and in a satisfactory manner, and the Engineer’s decision shall be final and binding upon the Contractor.

3.13 Bore and Jack. Conform to Subsection 723.03.06 (I).

3.14 Open Cut Roadway. Conform to Subsection 723.03.06 (I).

4.0 MEASUREMENT. See Subsection 723.04 for bid item notes. Additional bid items include the following:

4.1 Loop Test. The Department will measure the quantity as each individual unit loop tested. The Department will not measure disconnection, reconnection, traffic control, re-splicing per specifications, before and after testing per note above, and any associated hardware for payment and will consider them incidental to this item of work.

5.0 PAYMENT. The Department will make payment for the completed and accepted quantities of listed items according to Subsection 723.05 in addition to the following:

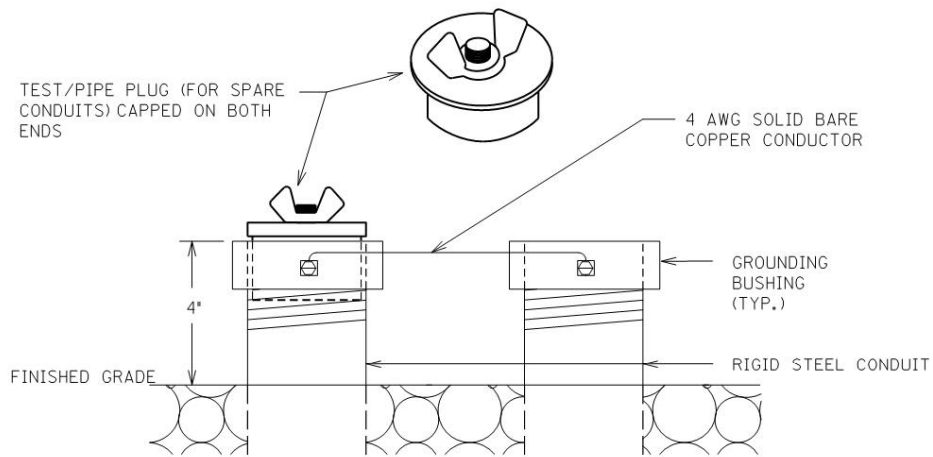
<u>Code</u>	<u>Pay Item</u>	<u>Pay Unit</u>
Conduit 1”	4792	Linear Foot
PVC Conduit – 1 ¼ inch – sch 80	24900EC	Linear Foot
PVC Conduit – 2 inch – sch 80	24901EC	Linear Foot
Conduit 2”	4795	Linear Foot
Electrical Junction Box type B	4811	Each
Loop Test	24963ED	Each
Trenching and Backfilling	4820	Linear Foot
Loop Wire	4830	Linear Foot

Traffic Signal Loop Detectors Page 3 of 8

Cable-No. 14/1 Pair	4850	Linear Foot ¹
Loop Saw Slot and Fill	4895	Linear Foot ¹
Bore and Jack Conduit	21543EN	Linear Foot ³
Open Cut Roadway	4821	Linear Foot ³

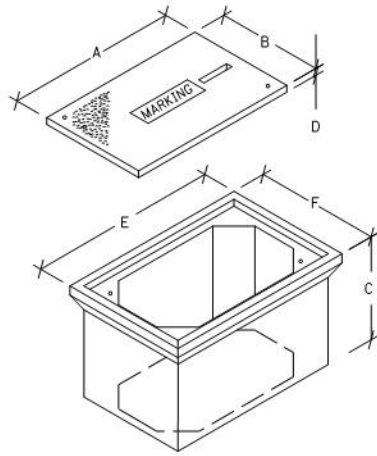
The Department will consider payment as full compensation for all work required under these notes and the Standard Specifications.

Revised: 10/17/2019



TEST/PIPE PLUG(FOR SPARE CONDUITS) AND GROUNDING DETAIL

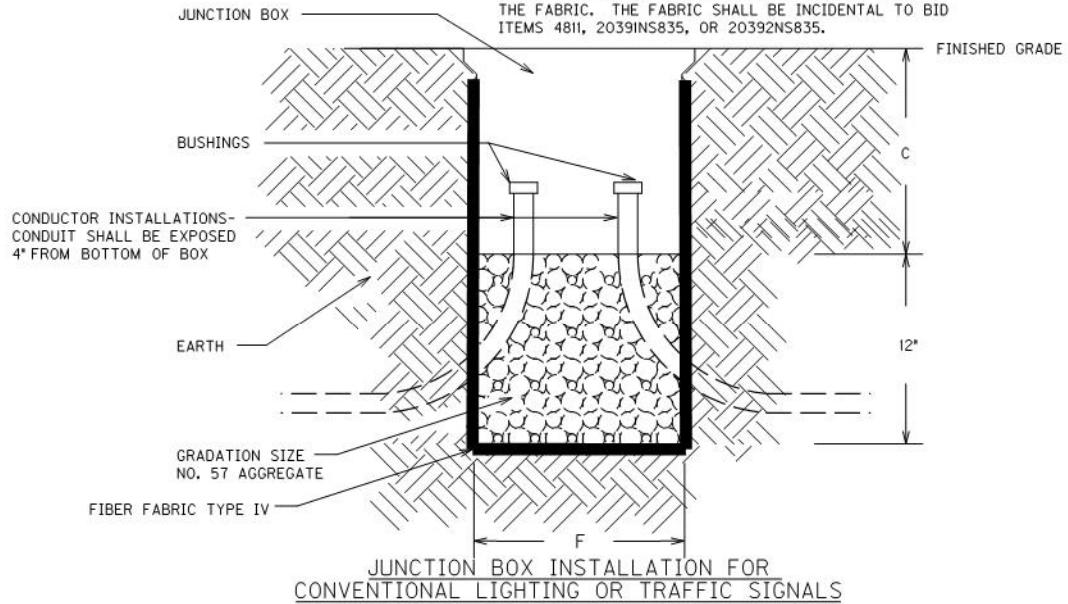
Traffic Signal Loop Detectors
Page 4 of 8



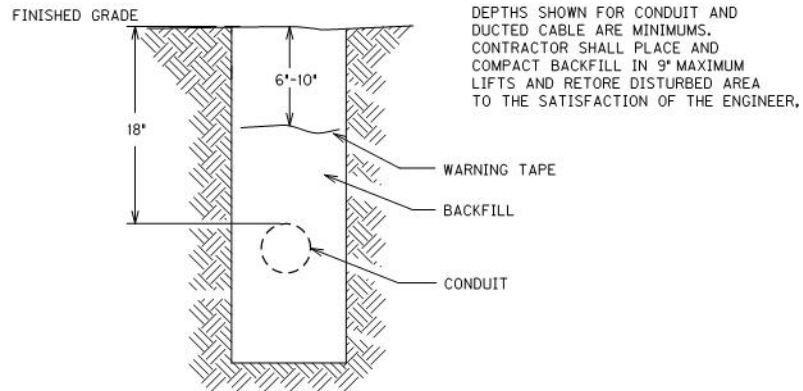
JUNCTION BOX DIMENSIONS (NOMINAL)						
	A	B	C	D	E	F
TYPE A	23"	14"	27"	2"	25"	15"
TYPE B	18"	11"	12"	1 3/4"	20"	13"
TYPE C	36"	24"	30"	3"	38"	26"

• MINIMUM
NOTE: STACKABLE BOXES ARE PERMITTED

BEFORE THE INSTALLATION OF THE #57 AGGREGATE AND JUNCTION BOX, THE CONTRACTOR SHALL INSTALL GEOTEXTILE FILTER FABRIC TYPE IV IN THE HOLE. THE FABRIC SHALL EXTEND TO JUST BELOW THE LIP OF THE JUNCTION BOX AND SHALL BE CONTINUOUSLY ADHERED TO THE EXTERIOR OF THE BOX WITH ADHESIVE. ANY LOCATIONS WHERE CONDUITS ENTER THE BOX, THE FABRIC SHALL BE 'X CUT' ONLY AS MUCH AS NECESSARY TO ALLOW PASSAGE OF EACH INDIVIDUAL CONDUIT THROUGH THE FABRIC. THE FABRIC SHALL BE INCIDENTAL TO BID ITEMS 481I, 2039INS835, OR 20392NS835.



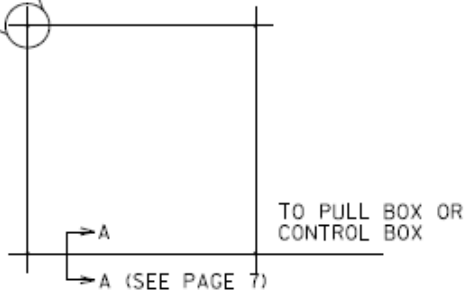
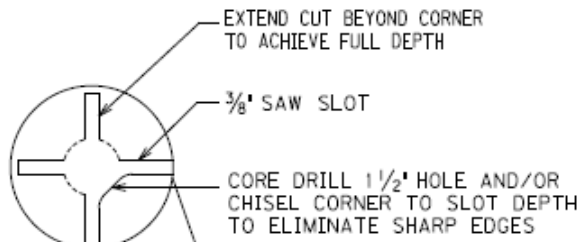
JUNCTION BOX INSTALLATION FOR CONVENTIONAL LIGHTING OR TRAFFIC SIGNALS



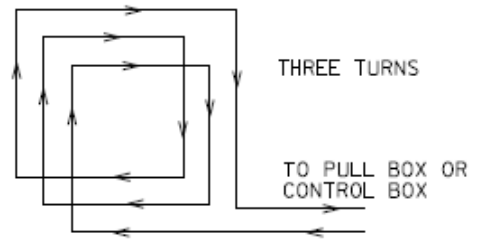
CONDUIT AND WARNING TAPE TRENCH

Traffic Signal Loop Detectors

Page 5 of 8

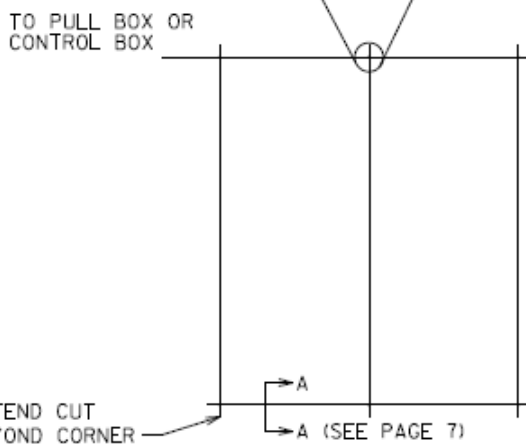
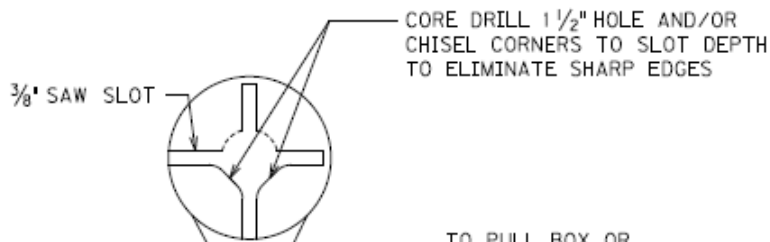


SAW CUT PLAN

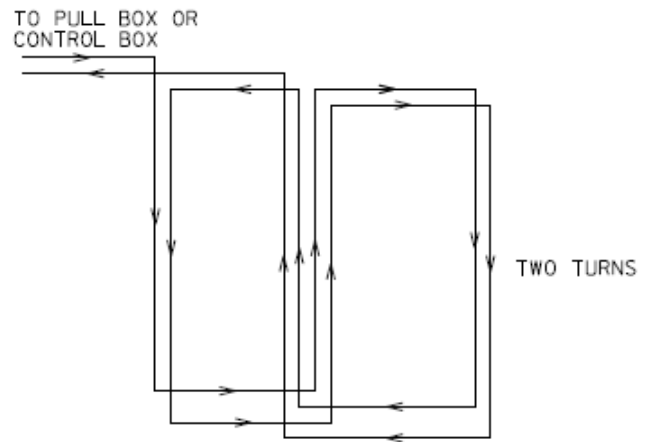


WIRING PLAN

6'X6' LOOP



SAW CUT PLAN

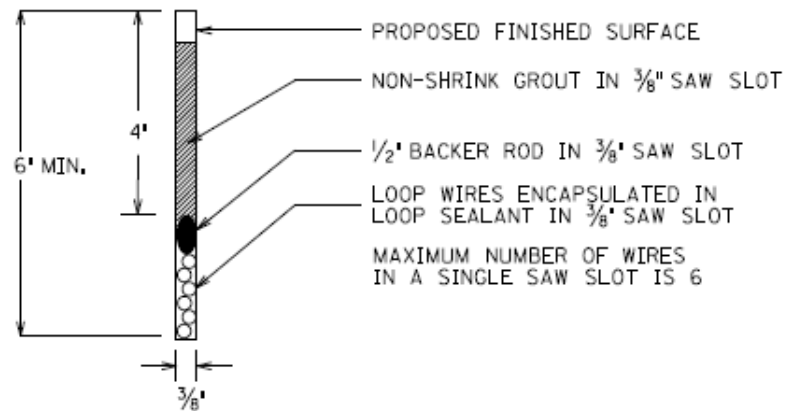


WIRING PLAN

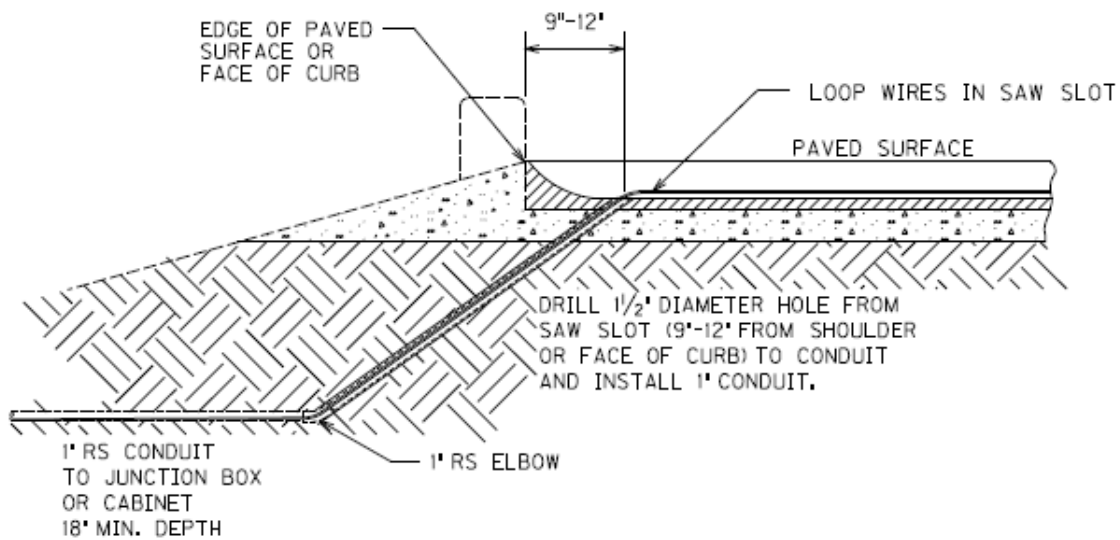
6'X30' QUADRAPOLE LOOP

Traffic Signal Loop Detectors

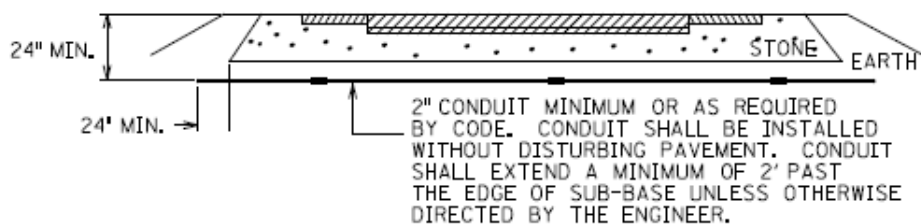
Page 6 of 8



SECTION A-A (SAW SLOT DETAIL)



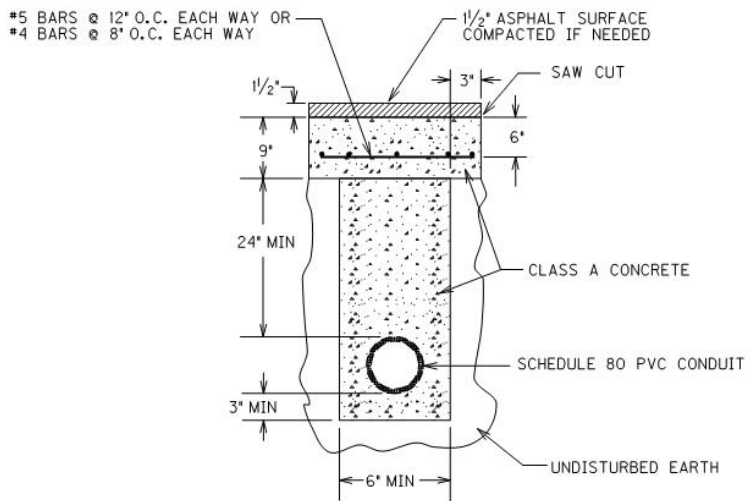
SAW SLOT EDGE OF PAVEMENT TRANSITION



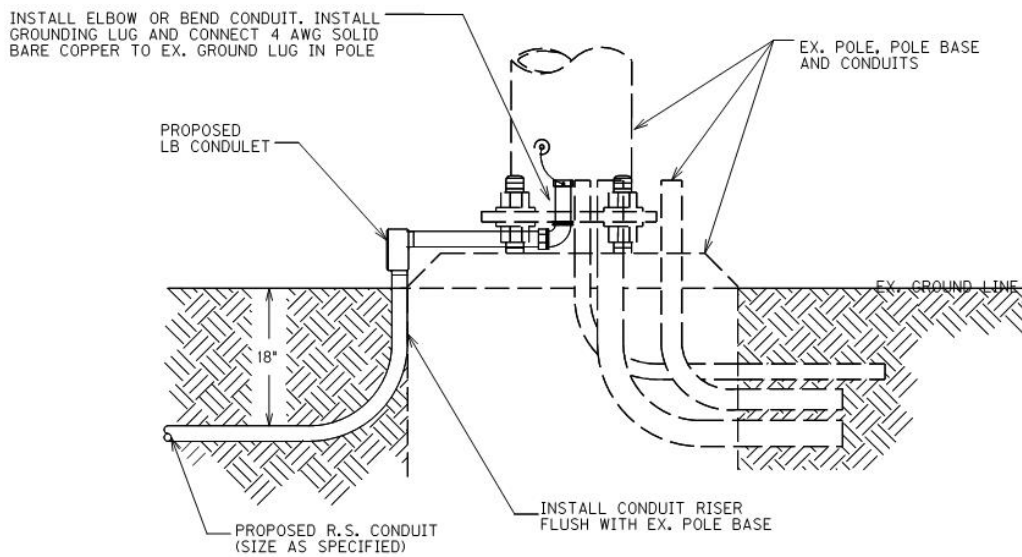
CONDUIT UNDER EXISTING PAVEMENT DETAIL

Traffic Signal Loop Detectors

Page 7 of 8



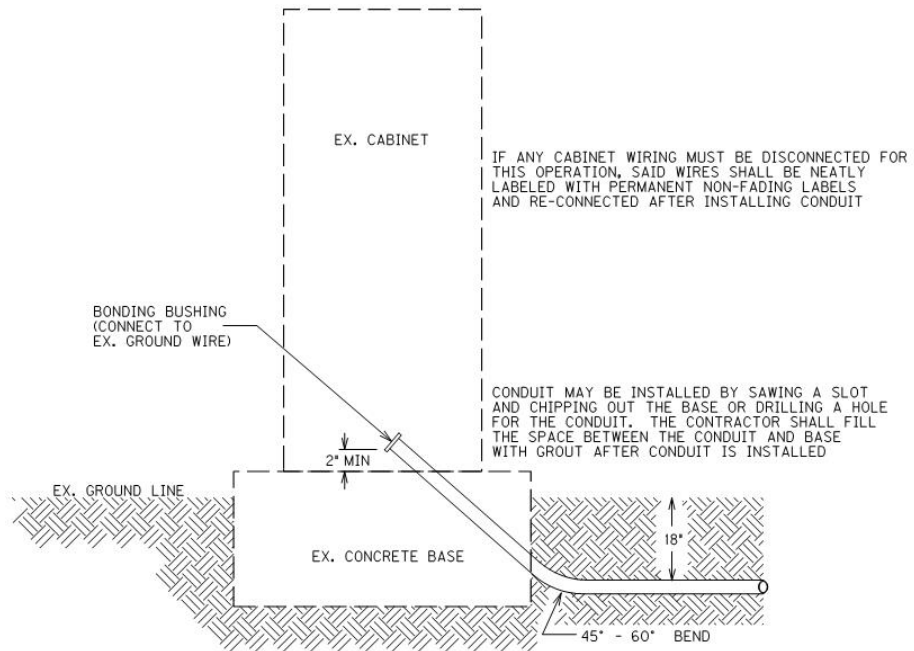
OPEN CUT PAVEMENT DETAIL



CONDUIT INSTALLATION IN EX. POLE BASE

Traffic Signal Loop Detectors

Page 8 of 8



CONDUIT INSTALLATION IN EX. CABINET BASE

**JEFFERSON COUNTY
THERMOPLASTIC INTERSECTION PAVEMENT MARKINGS SUMMARY
FD05 056 1703 004-006**

MILE POINT	INTERSECTION	X-WALKS 6 INCH LF	STOP BARS 24 INCH LF	ARROWS		CROSS HATCH SQFT	YIELD BAR 24"x36" LF	X-WALKS 24 INCH LF
				CURVE EACH				
4.765	US 60A (Eastern Pkwy)		24	3				
4.829	Edenside Ave		15	1	120			
4.871	Castlewood Ave	105	54	2				
4.997	Tyler Park Dr	60	24					
5.011	Windsor Place	84	18					
5.076	Rosewood Ave		36					
5.149	Goddard Ave	170	15			36	100	
5.237	Beechwood Ave		16					
5.324	Lucia Ave	160	16			36	90	
5.406	Ellwood Ave		18					
5.441	Rufer Ave		18					
5.487	Grinstead Dr/Winter Ave	450	100					
5.596	Hepburn Ave		18					
5.682	US 31E (Bardstown Rd)		20	2				
PROJECT TOTALS		1029	392	8	120	72	190	

Sidewalks & Detectable Warnings Summary - Page 1
Jefferson County
FD05 056 1703 004-006

Intersection	Mile Point	Ramp Location	Ramp Type	4" Sidewalk HISTORICAL SQYD	Header Curb HISTORICAL LF	Detectable Warning (Retrofit) SQFT	Detectable Warning (New) SQFT
Edenside Ave	4.829	SE	1	18	35	-	10
		NE	1	15	25	-	10
Castlewood Ave	4.871	NE	1	-	-	10.00	-
		NW	1	5	10	-	14
Tyler Park Dr	4.997	SE	1	20.00	25.00	-	10.00
		SW	1	13.00	20.00	-	14.00
		NE	1	12.00	30.00	-	10.00
		NW	1	14.00	25.00	-	10.00
Windsor Place	5.011	SE	1	18.00	30.00	-	10.00
		NE	1	25.00	35.00	-	10.00
Goddard Ave/Mid City Mall	5.149	SW	1	24.00	30.00	-	14.00
		SE #	1	12.00	15.00	-	10.00
		NW *	3	30.00	50.00	-	30.00
		NE * #	3	20.00	50.00	-	20.00
Mid City Mall	5.200	SE	1	15.00	30.00	-	12.00
		NE	1	15.00	30.00	-	12.00
Beechwood Ave	5.237	SE	1	17.00	25.00	-	16.00
		NE	1	24.00	40.00	-	16.00
Lucia Ave	5.324	SE	1	22.00	35.00	-	12.00
		NE *	3	15.00	30.00	-	16.00
		NW *	2	20.00	50.00	-	10.00
PAGE 1 TOTALS				354	620	10	266

Sidewalks & Detectable Warnings Summary - Page 2
Jefferson County
FD05 056 1703 004-006

Intersection	Mile Point	Ramp Location	Ramp Type	4" Sidewalk HISTORICAL SQYD	Header Curb HISTORICAL LF	Detectable Warning Retrofit SQFT	Detectable Warning SQFT
Ellwood Ave	5.406	SE	1	24	35	-	14
		NE	1	18	25	-	10
Rufer Ave	5.441	SW	1	15	30	-	10
		NW	1	25	25	-	10
Hepburn Ave	5.596	SW	1	12	20	-	16
		NW	1	15	30	-	16
PAGE 2 TOTALS				109	165	0	76
PROJECT TOTALS				463	785	10	342

* Quantity established at these locations to allow for construction of curb extensions (bump-outs) to shorten the pedestrian crossings on Baxter Ave. Coordinate design & construction with KYTC.

Denotes potential need for sidewalk thicker than 4" and/or modification to the existing curb alignment that could create the need for Class A mass concrete. See Special Note for Construction of Sidewalk Ramps.

**JEFFERSON COUNTY
TRAFFIC LOOP SUMMARY
FD05 056 1703 004-006**

INTERSECTION	SAW, SLOT AND FILL LF	LOOP WIRE LF	PVC CONDUIT			CABLE NO.14 LF	JUNCTION BORE & JACK TYPE B EA	CONDUIT LF	ROADWAY LF	REMOVE AND REPLACE SIDEWALK SQ YD	Trenching and Backfilling LF	Loop Test EA	NOTES
			CONDUIT 1 INCH LF	CONDUIT 1 1/4 INCH LF	CONDUIT 2 INCH LF								
US60A/EASTERN PKWY KY 1703	265	660	10	20	0	385	1	0	0	20	2	2 6X30 STOP BAR LOOPS	
Total	265	660	10	20	0	385	1	0	0	20	2		

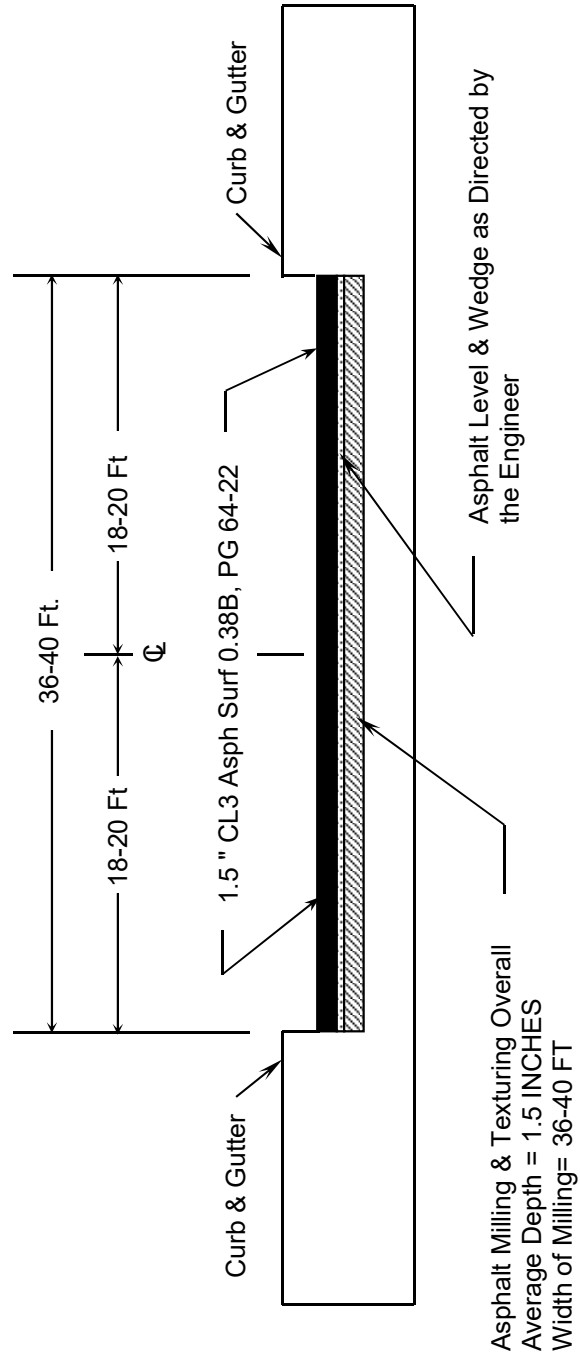
INTERSECTION	SAW, SLOT AND FILL LF	LOOP WIRE LF	PVC CONDUIT			CABLE NO.14 LF	JUNCTION BORE & JACK TYPE B EA	CONDUIT LF	ROADWAY LF	REMOVE AND REPLACE SIDEWALK SQ YD	Trenching and Backfilling LF	Loop Test EA	NOTES
			CONDUIT 1 INCH LF	CONDUIT 1 1/4 INCH LF	CONDUIT 2 INCH LF								
CASTLEWOOD KY 1703 NB	245	600	10	20	0	50	1	0	0	20	2	2 6X30 STOP BAR LOOPS	
KY 1703 SB	165	370	10	5	0	200	1	0	0	5	1	6X30 STOP BAR LOOP	
CASTLEWOOD	165	370	10	40	0	240	1	0	0	40	1	6X30 STOP BAR LOOP	
Total	575	1340	30	65	0	490	3	0	0	65	4		

INTERSECTION	SAW, SLOT AND FILL LF	LOOP WIRE LF	PVC CONDUIT			CABLE NO.14 LF	JUNCTION BORE & JACK TYPE B EA	CONDUIT LF	ROADWAY LF	REMOVE AND REPLACE SIDEWALK SQ YD	Trenching and Backfilling LF	Loop Test EA	NOTES
			CONDUIT 1 INCH LF	CONDUIT 1 1/4 INCH LF	CONDUIT 2 INCH LF								
US1E/BARDSTOWN RD KY 1703	285	710	10	20	0	525	1	0	1	20	2	2 6X30 STOP BAR LOOP	
Total	285	710	10	20	0	525	1	0	1	20	2		

Grand Total 1125 2710 50 105 0 1400 5 0 0 1 105 8

1. Quantities are for estimating purposes only. The Contractor shall field measure and inspect items to verify quantities.
 2. 2 - 1 1/4 inch conduits may be used in place of 2" conduit. Field verify conduit to match existing facilities/ite-in to poles/cabinets. specifications.
 Only replace existing conduit if damaged.

**JEFFERSON COUNTY
FD05 056 1703 004-006
TYPICAL SECTION
MP's 4.765 to 5.682**



PART II
SPECIFICATIONS AND STANDARD DRAWINGS

SPECIFICATIONS REFERENCE

Any reference in the plans or proposal to previous editions of the *Standard Specifications for Road and Bridge Construction* and *Standard Drawings* are superseded by *Standard Specifications for Road and Bridge Construction, Edition of 2019* and *Standard Drawings, Edition of 2020*.

SUPPLEMENTAL SPECIFICATIONS

The contractor shall use the Supplemental Specifications that are effective at the time of letting.
The Supplemental Specifications can be found at the following link:

<http://transportation.ky.gov/Construction/Pages/Kentucky-Standard-Specifications.aspx>

2020 KENTUCKY STANDARD DRAWINGS

CURVE WIDENING AND SUPERELEVATION TRANSITIONS	RGS-001-07
SUPERELEVATION FOR MULTILANE PAVEMENT	RGS-002-06
MISCELLANEOUS STANDARDS	RGX-001-06
DETECTABLE WARNINGS	RGX-040-03
APPROACHES, ENTRANCES, AND MAIL BOX TURNOUT	RPM-110-07
SIDEWALK RAMPS	RPM-170-09
PAVEMENT STRIPING DETAILS FOR TWO LANE TWO WAY ROADWAYS	TPM-175
LANE CLOSURE TWO-LANE HIGHWAY	TTC-100-05
LANE CLOSURE MULTI-LANE HIGHWAY CASE I.....	TTC-115-04
LANE CLOSURE MULTI-LANE HIGHWAY CASE II	TTC-120-04
SHOULDER CLOSURE	TTC-135-03
PAVEMENT CONDITION WARNING SIGNS.....	TTD-125-06
MOBILE OPERATION FOR PAINT STRIPING CASE I.....	TTS-100-02
MOBILE OPERATION FOR PAINT STRIPING CASE II.....	TTS-105-02

PART III

EMPLOYMENT, WAGE AND RECORD REQUIREMENTS

**TRANSPORTATION CABINET
DEPARTMENT OF HIGHWAYS**

**LABOR AND WAGE REQUIREMENTS
APPLICABLE TO OTHER THAN FEDERAL-AID SYSTEM PROJECTS**

- I. Application
- II. Nondiscrimination of Employees (KRS 344)

I. APPLICATION

1. These contract provisions shall apply to all work performed on the contract by the contractor with his own organization and with the assistance of workmen under his immediate superintendence and to all work performed on the contract by piecework, station work or by subcontract. The contractor's organization shall be construed to include only workmen employed and paid directly by the contractor and equipment owned or rented by him, with or without operators.

2. The contractor shall insert in each of his subcontracts all of the stipulations contained in these Required Provisions and such other stipulations as may be required.

3. A breach of any of the stipulations contained in these Required Provisions may be grounds for termination of the contract.

3. If the contractor is in control of apprenticeship or other training or retraining, including on-the-job training programs, he shall not discriminate against an individual because of his race, color, religion, national origin, sex, disability or age forty (40) and over, in admission to, or employment in any program established to provide apprenticeship or other training.

4. The contractor will send to each labor union or representative of workers with which he has a collective bargaining agreement or other contract or understanding, a notice to be provided advising the said labor union or workers' representative of the contractor's commitments under this section, and shall post copies of the notice in conspicuous places available to employees and applicants for employment. The contractor will take such action with respect to any subcontract or purchase order as the administrating agency may direct as a means of enforcing such provisions, including sanctions for non-compliance.

Revised: January 25, 2017

II. NONDISCRIMINATION OF EMPLOYEES

**AN ACT OF THE KENTUCKY
GENERAL ASSEMBLY TO PREVENT
DISCRIMINATION IN EMPLOYMENT
KRS CHAPTER 344
EFFECTIVE JUNE 16, 1972**

The contract on this project, in accordance with KRS Chapter 344, provides that during the performance of this contract, the contractor agrees as follows:

1. The contractor shall not fail or refuse to hire, or shall not discharge any individual, or otherwise discriminate against an individual with respect to his compensation, terms, conditions, or privileges of employment, because of such individual's race, color, religion, national origin, sex, disability or age (forty and above); or limit, segregate, or classify his employees in any way which would deprive or tend to deprive an individual of employment opportunities or otherwise adversely affect his status as an employee, because of such individual's race, color, religion, national origin, sex, disability or age forty (40) and over. The contractor agrees to post in conspicuous places, available to employees and applicants for employment, notices to be provided setting forth the provisions of this nondiscrimination clause.

2. The contractor shall not print or publish or cause to be printed or published a notice or advertisement relating to employment by such an employer or membership in or any classification or referral for employment by the employment agency, indicating any preference, limitation, specification, or discrimination, based on race, color, religion, national origin, sex, or age forty (40) and over, or because the person is a qualified individual with a disability, except that such a notice or advertisement may indicate a preference, limitation, or specification based on religion, national origin, sex, or age forty (40) and over, or because the person is a qualified individual with a disability, when religion, national origin, sex, or age forty (40) and over, or because the person is a qualified individual with a disability, is a bona fide occupational qualification for employment.

EXECUTIVE BRANCH CODE OF ETHICS

In the 1992 regular legislative session, the General Assembly passed and Governor Brereton Jones signed Senate Bill 63 (codified as KRS 11A), the Executive Branch Code of Ethics, which states, in part:

KRS 11A.040 (7) provides:

No present or former public servant shall, within six (6) months following termination of his office or employment, accept employment, compensation, or other economic benefit from any person or business that contracts or does business with, or is regulated by, the state in matters in which he was directly involved during the last thirty-six (36) months of his tenure. This provision shall not prohibit an individual from returning to the same business, firm, occupation, or profession in which he was involved prior to taking office or beginning his term of employment, or for which he received, prior to his state employment, a professional degree or license, provided that, for a period of six (6) months, he personally refrains from working on any matter in which he was directly involved during the last thirty-six (36) months of his tenure in state government. This subsection shall not prohibit the performance of ministerial functions, including but not limited to filing tax returns, filing applications for permits or licenses, or filing incorporation papers, nor shall it prohibit the former officer or public servant from receiving public funds disbursed through entitlement programs.

KRS 11A.040 (9) states:

A former public servant shall not represent a person or business before a state agency in a matter in which the former public servant was directly involved during the last thirty-six (36) months of his tenure, for a period of one (1) year after the latter of:

- a) The date of leaving office or termination of employment; or
- b) The date the term of office expires to which the public servant was elected.

This law is intended to promote public confidence in the integrity of state government and to declare as public policy the idea that state employees should view their work as a public trust and not as a way to obtain private benefits.

If you have worked for the executive branch of state government within the past six months, you may be subject to the law's prohibitions. The law's applicability may be different if you hold elected office or are contemplating representation of another before a state agency.

Also, if you are affiliated with a firm which does business with the state and which employs former state executive-branch employees, you should be aware that the law may apply to them.

In case of doubt, the law permits you to request an advisory opinion from the Executive Branch Ethics Commission, 3 Fountain Place, Frankfort, Kentucky 40601; telephone (502) 564-7954.

Kentucky Equal Employment Opportunity Act of 1978

The requirements of the Kentucky Equal Employment Opportunity Act of 1978 (KRS 45.560-45.640) shall apply to this Contract. The apparent low Bidder will be required to submit EEO forms to the Division of Construction Procurement, which will then forward to the Finance and Administration Cabinet for review and approval. No award will become effective until all forms are submitted and EEO/CC has certified compliance. The required EEO forms are as follows:

- EEO-1: Employer Information Report
- Affidavit of Intent to Comply
- Employee Data Sheet
- Subcontractor Report

These forms are available on the Finance and Administration's web page under ***Vendor Information, Standard Attachments and General Terms*** at the following address:
<https://www.eProcurement.ky.gov>.

Bidders currently certified as being in compliance by the Finance and Administration Cabinet may submit a copy of their approval letter in lieu of the referenced EEO forms.

For questions or assistance please contact the Finance and Administration Cabinet by email at **finance.contractcompliance@ky.gov** or by phone at 502-564-2874.

EMPLOYEE RIGHTS UNDER THE FAIR LABOR STANDARDS ACT

THE UNITED STATES DEPARTMENT OF LABOR WAGE AND HOUR DIVISION

FEDERAL MINIMUM WAGE

\$7.25 PER HOUR

BEGINNING JULY 24, 2009

OVERTIME PAY At least 1½ times your regular rate of pay for all hours worked over 40 in a workweek.

CHILD LABOR An employee must be at least **16** years old to work in most non-farm jobs and at least **18** to work in non-farm jobs declared hazardous by the Secretary of Labor.

Youths **14** and **15** years old may work outside school hours in various non-manufacturing, non-mining, non-hazardous jobs under the following conditions:

No more than

- **3** hours on a school day or **18** hours in a school week;
- **8** hours on a non-school day or **40** hours in a non-school week.

Also, work may not begin before **7 a.m.** or end after **7 p.m.**, except from June 1 through Labor Day, when evening hours are extended to **9 p.m.** Different rules apply in agricultural employment.

TIP CREDIT Employers of “tipped employees” must pay a cash wage of at least \$2.13 per hour if they claim a tip credit against their minimum wage obligation. If an employee’s tips combined with the employer’s cash wage of at least \$2.13 per hour do not equal the minimum hourly wage, the employer must make up the difference. Certain other conditions must also be met.

ENFORCEMENT The Department of Labor may recover back wages either administratively or through court action, for the employees that have been underpaid in violation of the law. Violations may result in civil or criminal action.

Employers may be assessed civil money penalties of up to \$1,100 for each willful or repeated violation of the minimum wage or overtime pay provisions of the law and up to \$11,000 for each employee who is the subject of a violation of the Act’s child labor provisions. In addition, a civil money penalty of up to \$50,000 may be assessed for each child labor violation that causes the death or serious injury of any minor employee, and such assessments may be doubled, up to \$100,000, when the violations are determined to be willful or repeated. The law also prohibits discriminating against or discharging workers who file a complaint or participate in any proceeding under the Act.

ADDITIONAL INFORMATION

- Certain occupations and establishments are exempt from the minimum wage and/or overtime pay provisions.
- Special provisions apply to workers in American Samoa and the Commonwealth of the Northern Mariana Islands.
- Some state laws provide greater employee protections; employers must comply with both.
- The law requires employers to display this poster where employees can readily see it.
- Employees under 20 years of age may be paid \$4.25 per hour during their first 90 consecutive calendar days of employment with an employer.
- Certain full-time students, student learners, apprentices, and workers with disabilities may be paid less than the minimum wage under special certificates issued by the Department of Labor.

For additional information:



1-866-4-USWAGE

(1-866-487-9243) TTY: 1-877-889-5627



WWW.WAGEHOUR.DOL.GOV

PART IV
INSURANCE

Refer to
Kentucky Standard Specifications for Road and Bridge Construction,
current edition

PART V
BID ITEMS

PROPOSAL BID ITEMS

202281

Page 1 of 1

Report Date 9/14/20

Section: 0001 - PAVING

LINE	BID CODE	ALT	DESCRIPTION	QUANTITY	UNIT	UNIT PRIC	FP	AMOUNT
0010	00190		LEVELING & WEDGING PG64-22	162.00	TON		\$	
0020	00356		ASPHALT MATERIAL FOR TACK	10.00	TON		\$	
0030	00388		CL3 ASPH SURF 0.38B PG64-22	1,610.00	TON		\$	
0040	01719		ADJUST INLET	5.00	EACH		\$	
0050	01792		ADJUST MANHOLE	13.00	EACH		\$	
0060	01876		STANDARD HEADER CURB MOD	785.00	LF		\$	
0070	02562		TEMPORARY SIGNS	610.00	SQFT		\$	
0080	02650		MAINTAIN & CONTROL TRAFFIC	1.00	LS		\$	
0090	02676		MOBILIZATION FOR MILL & TEXT	1.00	LS		\$	
0100	02677		ASPHALT PAVE MILLING & TEXTURING	1,610.00	TON		\$	
0110	02720		SIDEWALK-4 IN CONCRETE	463.00	SQYD		\$	
0120	03425		ADJUST WATER VALVE	25.00	EACH		\$	
0130	04792		CONDUIT-1 IN	50.00	LF		\$	
0140	04793		CONDUIT-1 1/4 IN	105.00	LF		\$	
0150	04811		ELECTRICAL JUNCTION BOX TYPE B	5.00	EACH		\$	
0160	04820		TRENCHING AND BACKFILLING	105.00	LF		\$	
0170	04830		LOOP WIRE	2,710.00	LF		\$	
0180	04850		CABLE-NO. 14/1 PAIR	1,400.00	LF		\$	
0190	04895		LOOP SAW SLOT AND FILL	1,125.00	LF		\$	
0200	04960		REMOVE AND REPLACE SIDEWALK	1.00	SQYD		\$	
0210	06510		PAVE STRIPING-TEMP PAINT-4 IN	11,200.00	LF		\$	
0220	06514		PAVE STRIPING-PERM PAINT-4 IN	11,200.00	LF		\$	
0230	06565		PAVE MARKING-THERMO X-WALK-6 IN	1,029.00	LF		\$	
0240	06568		PAVE MARKING-THERMO STOP BAR-24IN	392.00	LF		\$	
0250	06569		PAVE MARKING-THERMO CROSS-HATCH	120.00	SQFT		\$	
0260	06574		PAVE MARKING-THERMO CURV ARROW	8.00	EACH		\$	
0270	22520EN		PAVE MARKING-THERMO YIELD BAR-36 IN	72.00	LF		\$	
0280	23158ES505		DETECTABLE WARNINGS (NEW)	342.00	SQFT		\$	
0290	23158ES505		DETECTABLE WARNINGS (RETROFIT)	10.00	SQFT		\$	
0300	23261EC		PAVE MARK-THERMO-X-WALK-24 IN	190.00	LF		\$	
0310	24963ED		LOOP TEST	8.00	EACH		\$	

Section: 0002 - DEMOBILIZATION

LINE	BID CODE	ALT	DESCRIPTION	QUANTITY	UNIT	UNIT PRIC	FP	AMOUNT
0320	02569		DEMOBILIZATION	1.00	LS		\$	