



CALL NO. 300

CONTRACT ID. 201030

MORGAN COUNTY

FED/STATE PROJECT NUMBER FE01 088 0460 017-018

DESCRIPTION US-460 IN WEST LIBERTY

WORK TYPE OPERATIONS (MAINTENANCE)

PRIMARY COMPLETION DATE 11/30/2020

LETTING DATE: September 25,2020

Sealed Bids will be received electronically through the Bid Express bidding service until 10:00 am EASTERN DAYLIGHT TIME September 25,2020. Bids will be publicly announced at 10:00 am EASTERN DAYLIGHT TIME.

NO PLANS ASSOCIATED WITH THIS PROJECT.

REQUIRED BID PROPOSAL GUARANTY: Not less than 5% of the total bid.

TABLE OF CONTENTS

PART I	SCOPE OF WORK
	<ul style="list-style-type: none">• PROJECT(S), COMPLETION DATE(S), & LIQUIDATED DAMAGES• CONTRACT NOTES• STATE CONTRACT NOTES• ASPHALT MIXTURE• DGA BASE• DGA BASE FOR SHOULDERS• INCIDENTAL SURFACING• HOLD AWARD• SPECIAL NOTE(S) APPLICABLE TO PROJECT• RIGHT OF WAY CERTIFICATION• UTILITY IMPACT & RAIL CERTIFICATION NOTES
PART II	SPECIFICATIONS AND STANDARD DRAWINGS
	<ul style="list-style-type: none">• SPECIFICATIONS REFERENCE• SUPPLEMENTAL SPECIFICATION
PART III	EMPLOYMENT, WAGE AND RECORD REQUIREMENTS
	<ul style="list-style-type: none">• LABOR AND WAGE REQUIREMENTS• EXECUTIVE BRANCH CODE OF ETHICS• KENTUCKY EQUAL EMPLOYMENT OPPORTUNITY ACT OF 1978 LOCALITY / STATE• PROJECT WAGE RATES / STATE FUNDED
PART IV	INSURANCE
PART V	BID ITEMS

PART I
SCOPE OF WORK

ADMINISTRATIVE DISTRICT - 10

CONTRACT ID - 201030

FE01 088 0460 017-018

COUNTY - MORGAN

PCN - DE08804602030

FE01 088 0460 017-018

US-460 IN WEST LIBERTY (MP 17.64) STORM SEWER REPAIRS ON US-460 IN WEST LIBERTY FROM MP 17.64 to 17.65 (MP 17.65), A DISTANCE OF 0.01 MILES.CULVERT REPLACEMENT

GEOGRAPHIC COORDINATES LATITUDE 39:03:06.00 LONGITUDE 84:33:38.00

COMPLETION DATE(S):

COMPLETED BY 11/30/2020

APPLIES TO ENTIRE CONTRACT

CONTRACT NOTES

PROPOSAL ADDENDA

All addenda to this proposal must be applied when calculating bid and certified in the bid packet submitted to the Kentucky Department of Highways. Failure to use the correct and most recent addenda may result in the bid being rejected.

BID SUBMITTAL

Bidder must use the Department's electronic bidding software. The Bidder must download the bid file located on the Bid Express website (www.bidx.com) to prepare a bid packet for submission to the Department. The bidder must submit electronically using Bid Express.

JOINT VENTURE BIDDING

Joint venture bidding is permissible. All companies in the joint venture must be prequalified in one of the work types in the Qualifications for Bidders for the project. The bidders must get a vendor ID for the joint venture from the Division of Construction Procurement and register the joint venture as a bidder on the project. Also, the joint venture must obtain a digital ID from Bid Express to submit a bid. A joint bid bond of 5% may be submitted for both companies or each company may submit a separate bond of 5%.

UNDERGROUND FACILITY DAMAGE PROTECTION

The contractor shall make every effort to protect underground facilities from damage as prescribed in the Underground Facility Damage Protection Act of 1994, Kentucky Revised Statute KRS 367.4901 to 367.4917. It is the contractor's responsibility to determine and take steps necessary to be in compliance with federal and state damage prevention directives. When prescribed in said directives, the contractor shall submit Excavation Locate Requests to the Kentucky Contact Center (KY811) via web ticket entry. The submission of this request does not relieve the contractor from the responsibility of contacting non-member facility owners, whom shall be contacted through their individual Protection Notification Center. Non-compliance with these directives can result in the enforcement of penalties.

REGISTRATION WITH THE SECRETARY OF STATE BY A FOREIGN ENTITY

Pursuant to KRS 176.085(1)(b), an agency, department, office, or political subdivision of the Commonwealth of Kentucky shall not award a state contract to a person that is a foreign entity required by [KRS 14A.9-010](#) to obtain a certificate of authority to transact business in the Commonwealth ("certificate") from the Secretary of State under [KRS 14A.9-030](#) unless the person produces the certificate within fourteen (14) days of the bid or proposal opening. If the foreign entity is not required to obtain a certificate as provided in [KRS 14A.9-010](#), the foreign entity should identify the applicable exception. Foreign entity is defined within [KRS 14A.1-070](#).

For all foreign entities required to obtain a certificate of authority to transact business in the Commonwealth, if a copy of the certificate is not received by the contracting agency within the time frame identified above, the foreign entity's solicitation response shall be deemed non-responsive or the awarded contract shall be cancelled.

Businesses can register with the Secretary of State at <https://secure.kentucky.gov/sos/ftbr/welcome.aspx>.

SPECIAL NOTE FOR PROJECT QUESTIONS DURING ADVERTISEMENT

Questions about projects during the advertisement should be submitted in writing to the Division of Construction Procurement. This may be done by fax (502) 564-7299 or email to kytc.projectquestions@ky.gov. The Department will attempt to answer all submitted questions. The Department reserves the right not to answer if the question is not pertinent or does not aid in clarifying the project intent.

The deadline for posting answers will be 3:00 pm Eastern Daylight Time, the day preceding the Letting. Questions may be submitted until this deadline with the understanding that the later a question is submitted, the less likely an answer will be able to be provided.

The questions and answers will be posted for each Letting under the heading "Questions & Answers" on the Construction Procurement website (www.transportation.ky.gov/contract). The answers provided shall be considered part of this Special Note and, in case of a discrepancy, will govern over all other bidding documents.

HARDWOOD REMOVAL RESTRICTIONS

The US Department of Agriculture has imposed a quarantine in Kentucky and several surrounding states, to prevent the spread of an invasive insect, the emerald ash borer. Hardwood cut in conjunction with the project may not be removed from the state. Chipping or burning on site is the preferred method of disposal.

INSTRUCTIONS FOR EXCESS MATERIAL SITES AND BORROW SITES

Identification of excess material sites and borrow sites shall be the responsibility of the Contractor. The Contractor shall be responsible for compliance with all applicable state and federal laws and may wish to consult with the US Fish and Wildlife Service to seek protection under Section 10 of the Endangered Species Act for these activities.

ACCESS TO RECORDS

The contractor, as defined in KRS 45A.030 (9) agrees that the contracting agency, the Finance and Administration Cabinet, the Auditor of Public Accounts, and the Legislative Research Commission, or their duly authorized representatives, shall have access to any books, documents, papers, records, or other evidence, which are directly pertinent to this contract for the purpose of financial audit or program review. Records and other prequalification information confidentially

disclosed as part of the bid process shall not be deemed as directly pertinent to the contract and shall be exempt from disclosure as provided in KRS 61.878(1)(c). The contractor also recognizes that any books, documents, papers, records, or other evidence, received during a financial audit or program review shall be subject to the Kentucky Open Records Act, KRS 61.870 to 61.884.

In the event of a dispute between the contractor and the contracting agency, Attorney General, or the Auditor of Public Accounts over documents that are eligible for production and review, the Finance and Administration Cabinet shall review the dispute and issue a determination, in accordance with Secretary's Order 11-004.

April 30, 2018

SPECIAL NOTE FOR RECIPROCAL PREFERENCE

RECIPROCAL PREFERENCE TO BE GIVEN BY PUBLIC AGENCIES TO RESIDENT BIDDERS

By reference, KRS 45A.490 to 45A.494 are incorporated herein and in compliance regarding the bidders residency. Bidders who want to claim resident bidder status should complete the Affidavit for Claiming Resident Bidder Status along with their bid in the electronic bidding software. Submittal of the Affidavit should be done along the bid in Bid Express.

April 30, 2018

ASPHALT MIXTURE

Unless otherwise noted, the Department estimates the rate of application for all asphalt mixtures to be 110 lbs/sy per inch of depth.

DGA BASE

Unless otherwise noted, the Department estimates the rate of application for DGA Base to be 115 lbs/sy per inch of depth.

DGA BASE FOR SHOULDERS

Unless otherwise noted, the Department estimates the rate of application for DGA Base for Shoulders to be 115 lbs/sy per inch of depth. The Department will not measure necessary grading and/or shaping of existing shoulders prior to placing of DGA Base, but shall be incidental to the Contract unit price per ton for DGA Base.

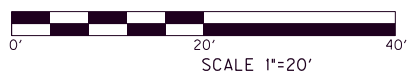
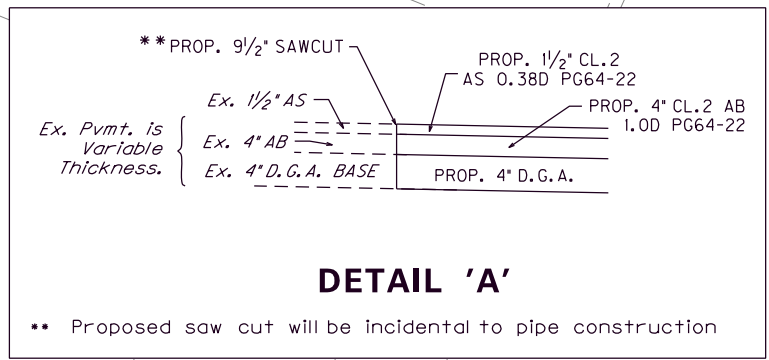
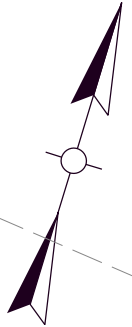
Accept payment at the Contract unit price per ton as full compensation for all labor, materials, equipment, and incidentals for grading and/or shaping of existing shoulders and furnishing, placing, and compacting the DGA Base.

INCIDENTAL SURFACING

The Department has included in the quantities of asphalt mixtures established in the proposal estimated quantities required for resurfacing or surfacing mailbox turnouts, farm field entrances, residential and commercial entrances, curve widening, ramp gores and tapers, and road and street approaches, as applicable. Pave these areas to the limits as shown on Standard Drawing RPM-110-06 or as directed by the Engineer. In the event signal detectors are present in the intersecting streets or roads, pave the crossroads to the right of way limit or back of the signal detector, whichever is the farthest back of the mainline. Surface or resurface these areas as directed by the Engineer. The Department will not measure placing and compacting for separate payment but shall be incidental to the Contract unit price for the asphalt mixtures.

SPECIAL NOTE FOR AWARD OF CONTRACT

In accordance to section 103.02 of the Standard Specifications for Road and Bridge Construction, the Department may hold and not award the contract for a period not to exceed sixty (60) calendar days from the date of letting.



USER: msipes
DATE PLOTTED: August 14, 2020

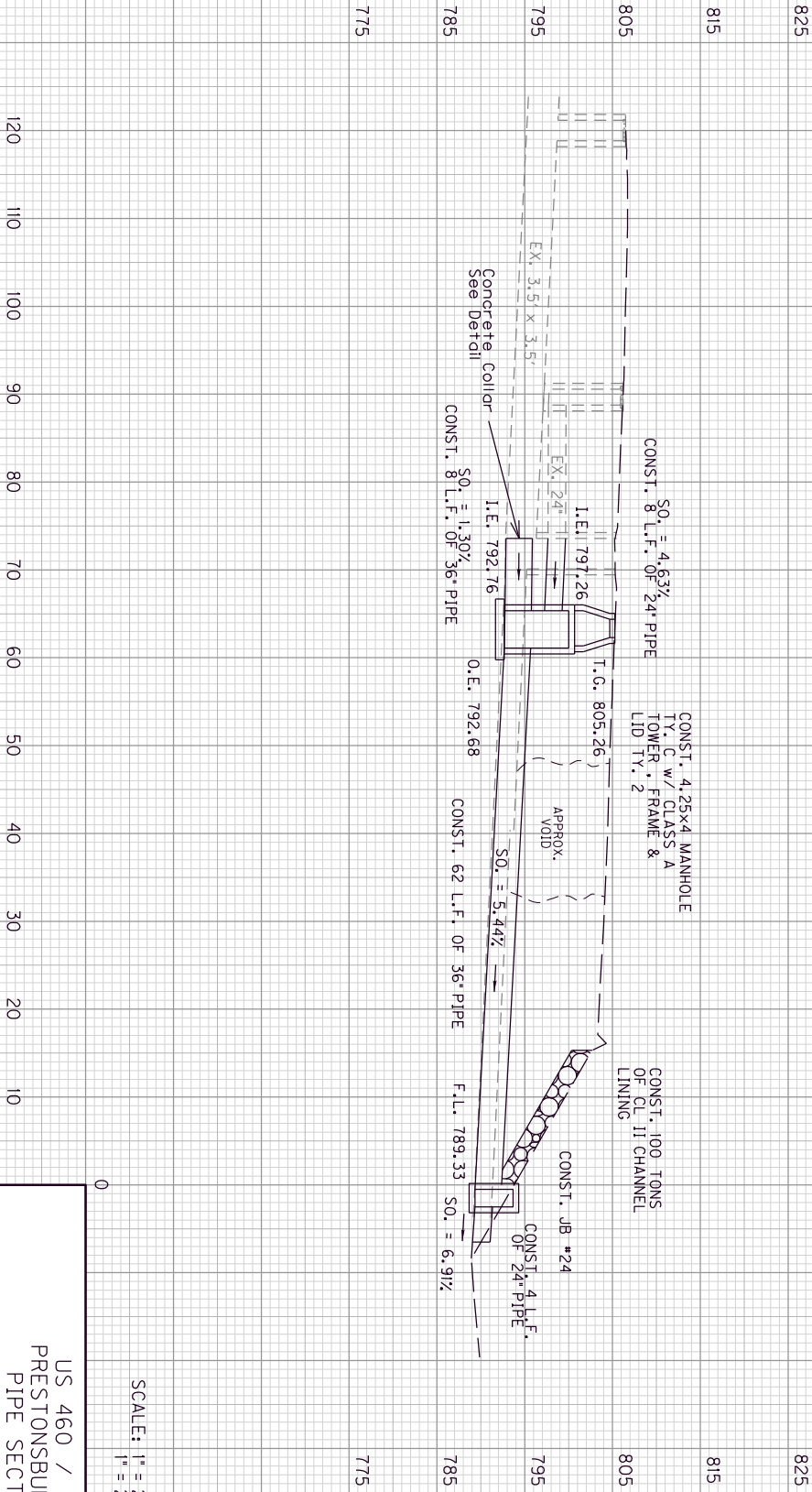
E-SHEET NAME:

MicroStation v8.11.9.459

PIPE DRAINAGE SHEET

STORM SEWER PIPE

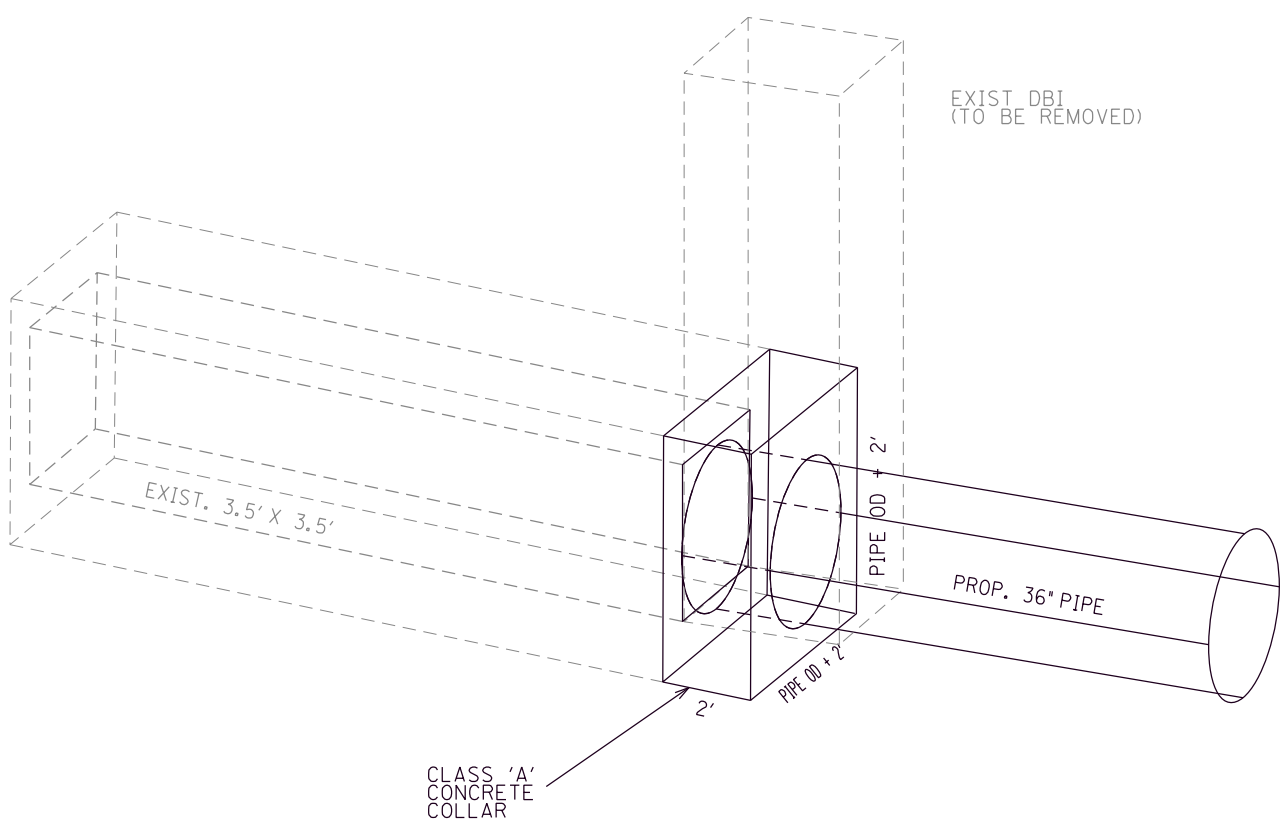
MAXIMUM COVER HEIGHT	DESIGN PH LEVEL						JUNCTION BOX	MANHOLE TYPE C	FABRIC GEOTEXTILE TY IV FOR PIPE S.Y.	CHANNEL LINING CLASS II TONS
	18"	24"	30"	36"	42"	48"				
FT	L I N E A R F E E T						EACH	EACH	S.Y.	TONS
		12		70			1	1	457	100



SCALE: 1" = 20' HORIZONTAL
1" = 20' VERTICAL

US 460 / KY 7
PRESTONSBURG ST
PIPE SECTION

COUNTY OF: MORGAN
ITEM NO.: 10-293



TRAFFIC CONTROL PLAN
MORGAN COUNTY
West Liberty Drainage Repair
Item No. 10-293.00

TRAFFIC CONTROL GENERAL

Except as provided herein, "Maintain and Control Traffic" shall be in accordance with the 2019 Standard Specifications and the Standard Drawings, current editions. Except for the roadway and traffic control bid items listed, all items of work necessary to maintain and control traffic will be paid at the lump sum bid price to "Maintain and Control Traffic". All lane closures used on the Project will be in compliance with the appropriate Standard Drawings. Do NOT use cones for lane closures or shoulder closures.

Contrary to Section 106.01, traffic control devices used on this project may be new, or used in like new condition at the beginning of the work and maintained in like new condition until completion of the work. Traffic control devices will conform to current MUTCD.

Shoulder Closures shall be performed in accordance to the Standard Drawings. Any work directly adjacent to the roadway will require lane closures. Lane Closures call conform to Standard Drawing TTC-100.

Temporary Shoring is required to excavate the existing pipes. During this work, the Freezer Fresh Dairy drive thru must stay open. When a closure of the drive thru is necessary, the Contractor shall coordinate with the business owner and the Engineer.

Night work will be allowed on this project. Obtain approval from the Engineer for the method of lighting prior to its use.

MORGAN COUNTY
West Liberty Drainage Repair
Item No. 10-293.00
Prestonsburg St - US 460 / KY 7

I. DESCRIPTION

Perform all work in accordance with the Department's 2019 Standard Specifications, Supplemental Specifications, Applicable Special Provisions, and Applicable Standard and Sepia Drawings, except as hereafter specified. Article references are to the Standard Specifications. Furnish all materials, labor, equipment, and incidentals for the following work:

- (1) Maintain and Control Traffic; (2) Drainage structure work; (3) Pipe Trench Backfill;
- (4) Pavement Repairs (5) All other work specified as part of this contract.

II. MATERIALS

Except as specified in these notes or on the drawings, all materials will be according to the Standard Specifications and applicable Special Provisions and Special Notes. The Department will sample and test all materials according to Department's Sampling Manual and the Contractor will have the materials available for sampling a sufficient time in advance of the use of the materials to allow for the necessary time for testing, unless otherwise specified in these notes.

- A. **Maintain and Control Traffic.** See Traffic Control Plan.
- B. **Concrete Collar.** Use Class A Concrete as directed in the Plans and in accordance to the Standard Specifications
- C. **Pipe Backfill.** Contrary to Standard Specifications, use Kentucky Crushed Aggregate size #57.

III. CONSTRUCTION METHODS

- A. **Pipe Installation**– Temporary Shoring will be required to excavate to the existing pipes while maintaining the drive-thru of the nearby business. The Contractor shall saw cut the existing pavement to the limits required for pipe trench excavation.
- B. **Concrete Collar** – The collar is used to insure connection of the proposed 36” Pipe to the existing box culvert. The 3.5’ x 3.5’ is an estimate and must be field verified by the Contractor.

- C. **Maintain and Control Traffic.** See Traffic Control Plan.
- D. **Final Clean Up and Seeding and Protection.** After all work is completed, completely remove all debris from the job site. Sow disturbed earthen areas with Seed Mixture No. I.
- E. **On-Site Inspection.** In accordance with section 102.06, each Contractor submitting a bid for this work will make a thorough inspection of the site prior to submitting a bid and will thoroughly familiarize himself with existing conditions so that the work can be expeditiously performed after a contract is awarded. Submission of a bid will be considered evidence of this inspection having been made. Any claims resulting from site conditions will not be honored by the Department.
- F. **Caution:** Information shown on the drawings and in this proposal and the types and quantities of work listed are not to be taken as an accurate or complete evaluation of the material and conditions to be encountered during construction. The bidder must draw his own conclusions as to the conditions encountered. The Department does not give any guarantee as to the accuracy of the data and no claim will be considered for additional compensation if the conditions encountered are not in accordance with the information above.
- G. **Utility Clearance.** It is not anticipated that utility facilities will need to be relocated and/or adjusted; however, there are overhead lines in the area that shall not be disturbed. In the event that it is discovered that the work does require that utilities be relocated and/or adjusted, the utility companies will work concurrently with the Contractor while relocating their facilities.
- H. **Pipe Backfill.** Pipe backfill shall be constructed in accordance with 701.02.05 of the Standard Specifications. Contrary to Standard Specifications, use Kentucky Crushed Aggregate size No. 57 only. Backfilling operations include backfilling the pipe, the pipe trench, and any additional voids encountered utilizing Kentucky Crushed Aggregate size No. 57 only.

IV. METHOD OF MEASUREMENT

- A. **Temporary Shoring**– No direct measurement or payment will be made for Temporary Shoring. And will be considered incidental to the drainage structures installed.
- B. **Concrete Collar**– Payment for the concrete collar will be to the neat lines specified in the Concrete Collar detail. Concrete Class – A, per cubic yard.
- C. **Maintain and Control Traffic.** See Traffic Control Plan. Only the bid items listed will be measured for payment. Maintenance and repairs of damages outside

of the limits of the storm sewer repair, will be considered incidental to “Maintain and Control Traffic” with no separate measurement or payment.

- D. **Remove Existing Drainage Structures.** Removal of existing pipe and existing inlets as shown in the plans will be considered incidental to the construction of the pipe.
- E. **Pavement Removal / Repair** – Limits of pavement removal and repair should be confined to the minimum necessary to perform the drainage repairs detailed. Repair all damages resulting from the work to the limits designated by the engineer.

V. BASIS OF PAYMENT

No direct payment will be made other than for the bid items listed. All other items required to complete the construction will be incidental to the bid items listed. Existing signs damaged by the Contractor will be replaced by the Contractor at his expense. Payment will be made in accordance with the KYTC Standard Specifications, current edition with supplemental specifications and current Standard Drawings unless otherwise specified herein.

- A. **Concrete Collar**– Payment for the concrete collar will be to the neat lines specified in the Concrete Collar detail. Concrete Class – A, per cubic yard.
- B. **Maintain and Control Traffic.** See Traffic Control Plan.
- C. **Site Preparation.** Other than the bid items listed, no direct payment will be allowed for site preparation, but will be incidental to the other items of work.
- D. **Lane Closures.** Contrary to Section 112, lane closures will not be measured for payment but will be incidental to the bid item “Maintain and Control Traffic”.
- E. **Remove Existing Drainage Structures.** Removal of existing pipe and existing inlets as shown in the plans will be considered incidental to the construction of the pipe.
- F. **Crushed Aggregate Size No 57.** No direct measurement or payment will be made for Crushed Aggregate Size No. 57 used in pipe backfill, pipe trench backfill, and filling any voids encountered. This item is incidental to pipe installation.
- G. **Fabric-Geotextile Class 2.** Fabric-Geotextile Class 2 will be measured and paid in accordance with the Standard Specifications.

MORGAN COUNTY
West Liberty Drainage Repair
Item No. 10-293.00
Prestonsburg St - US 460 / KY

This project is intended to repair the drainage issues near the Freezer Fresh Dairy on Prestonsburg St and open the business as soon as possible.

1. The size of existing drainage structures are nominal or typical dimensions. The actual dimensions to be constructed may be varied to fit existing conditions as directed or approved by the Engineer.
2. Pavement removal and repair limits should be confined to the minimum necessary to perform the drainage repairs detailed. Repair all damages resulting from the work to the limits designated by the engineer.
3. The contractor is to be advised of there are overhead utility wires near the project.

CAUTION: Other overhead utility locations may exist. These and all other utilities should be avoided on this project. If any utility is impacted, it will be the contractor's responsibility to contact the affected utility and cover any costs associated with the impact.

4. The pavement markings are intended to replace the current markings that are impacted by the project.

REFERENCES

1. Kentucky Transportation Cabinet, Department of Highways, Standard Specifications for Road and Bridge Construction, Edition of 2019.
2. FHWA Manual on Uniform Traffic Control Devices – 2009 Edition.
3. Kentucky Department of Highways Standard Drawings, Current Edition, as applicable:
 - RDI 001-10 CULVERT, ENTRANCE, & STORM SEWER PIPE TYPES & COVER HEIGHTS
 - RDI 002-05 CULVERT, ENTRANCE, & STORM SEWER PIPE TYPES & COVER HEIGHTS
 - RDI-020-10 PIPE BEDDING FOR CULVERTS, ENTRANCES, AND STORM SEWER PIPE
 - RDI-021-01 PIPE BEDDING FOR CULVERTS, ENTRANCES, AND STORM SEWER PIPE REINFORCED CONC. PIPE
 - RDI-025-06 PIPE BEDDING TRENCH CONDITION
 - RDI-026-01 PIPE BEDDING TRENCH CONDITION PIPE REINFORCED CONC. PIPE
 - RDM-010-06 MANHOLE TYPE C (CHAMBER LAYOUT)
 - RDM-011-05 MANHOLE TYPE C (TOWER APPLICATIONS)
 - RDM-012-03 MANHOLE TYPE C (STEEL PATTERN)
 - RDM-013-04 MANHOLE TYPE C (TABLE OF QUANTITIES)
 - RDM-055 MANHOLE STEPS
 - RDM-105-03 FRAME AND LID TYPE 2
 - RDX-001-06 JUNCTION BOX
 - RDX-002-04 JUNCTION BOX (DIMENSIONS & QUANTITIES)
 - RDX-210-03 TEMPORARY SILT FENCE
 - TTC-100-05 LANE CLOSURE TWO-LANE HIGHWAY
 - TTC-135-03 SHOULDER CLOSURE
4. Kentucky Transportation Cabinet, Department of Highways, Standard Specifications for Road and Bridge Construction, Edition of 2019, Including - Supplemental Specifications, as applicable:

Special Note	Before You Dig <i>attached</i>
General Note	Compaction of Asphalt Mixtures (Option B) <i>attached</i>

SPECIAL NOTE FOR BEFORE YOU DIG

**MORGAN COUNTY
West Liberty Drainage Repair
Item No. 10-293
Prestonsburg St – US 460 / KY 7**

Call 1-800-752-6007 toll free a minimum of two and no more than ten business days prior to excavation for information on the location of existing under-ground utilities which subscribe to the before-u-dig (BUD) service. Coordinate excavation with all utility owners, including those who do not subscribe to BUD.

GENERAL NOTE FOR COMPACTION OF ASPHALT MIXTURES (OPTION B)

**MORGAN COUNTY
West Liberty Drainage Repair
Item No. 10-293
Prestonsburg St – US 460 / KY 7**

Will accept the compaction of asphalt mixtures furnished on this project by option B according to subsections 402.03.02 and 403.03.10 of the standard specifications.

SPECIAL NOTE FOR PARTIAL CLOSURE OF PARKING AREA

**MORGAN COUNTY
West Liberty Drainage Repair
Item No. 10-293
Prestonsburg St. US 460 / KY 7**

A consent & release has been signed for work off KYTC right of way. Conditions of the consent & release are that the contractor shall be permitted to close only the work area to traffic for no more than seven (7) calendar days. The area may be opened to traffic without final asphalt surface and striping.

SPECIAL NOTE FOR CONTRACT TIME

**MORGAN COUNTY
West Liberty Drainage Repair
Item No. 10-293
Prestonsburg St. US 460 / KY 7**

Once work begins, the contractor will have 10 calendar days to complete. All work must be completed by November 30, 2020.

EXPEDITE PROJECT WORK ORDER

Be advised that the Contractor may request that the Department expedite the work order for this project to allow for maximization of time to complete the work. In order for the Department to accomplish this task, the Contractor may be required to “hand carry” all required project documentation to facilitate the process immediately UPON NOTIFICATION OF AWARD OF THE CONTRACT.

The contractor needs to deliver required project documentation to:

Division of Construction Procurement
200 Mero St.
Frankfort, KY 40602

UTILITIES AND RAIL CERTIFICATION NOTE

Morgan County
No federal number available
No state project number available
Mile point: 17.64 to 17.65
STORM SEWER REPAIRS ON US 460 IN WEST LIBERTY.

PROJECT NOTES ON UTILITIES

The contractor shall make every effort to protect underground facilities from damage as prescribed in the Underground Facility Damage Protection Act of 1994, Kentucky Revised Statute KRS 367.4901 to 367.4917. It is the contractor's responsibility to determine and take steps necessary to be in compliance with federal and state damage prevention directives. The contractor is instructed to contact KY 811 for the location of existing underground utilities. Contact shall be made a minimum of two (2) and no more than ten (10) business days prior to excavation. The contractor shall submit Excavation Locate Requests to the Kentucky Contact Center (KY 811) via web ticket entry. The submission of this request does not relieve the contractor from the responsibility of contacting non-member facility owners, whom are to be contacted through their individual Protection Notification Center. It may be necessary for the contractor to contact the County Court Clerk to determine what utility companies have facilities in the area. Non-compliance with these directives can result in the enforcement of penalties.

For all projects under 2000 Linear feet which require a normal excavation locate request pursuant to KRS 367.4901-4917, the awarded contractor shall field mark the proposed excavation or construction boundaries of the project (also called white lining) using the procedure set forth in KRS 367.4909(9)(k).

Utility coordination efforts determined that no significant utility relocation work is required to complete the project. Any work pertaining to these utility facilities is defined in the bid package and is to be carried out as instructed by the Kentucky Transportation Cabinet. The contractor will be responsible for any coordination or adjustments that are discussed or quantified in the proposal.

NOTE: DO NOT DISTURB THE FOLLOWING FACILITIES LOCATED WITHIN THE PROJECT DISTURB LIMITS

AEP (Kentucky Power) - Electric

City of West Liberty - Natural Gas

City of West Liberty - Water

Mountain Rural Telephone Cooperative - Telephone

City of West Liberty - Sewer

The Contractor is fully responsible for protection of all utilities listed above

UTILITIES AND RAIL CERTIFICATION NOTE

Morgan County
No federal number available
No state project number available
Mile point: 17.64 to 17.65
STORM SEWER REPAIRS ON US 460 IN WEST LIBERTY.

THE FOLLOWING FACILITY OWNERS ARE RELOCATING/ADJUSTING THEIR FACILITIES WITHIN THE PROJECT LIMITS AND WILL BE COMPLETE PRIOR TO CONSTRUCTION

Not Applicable

THE FOLLOWING FACILITY OWNERS HAVE FACILITIES TO BE RELOCATED/ADJUSTED BY THE OWNER OR THEIR SUBCONTRACTOR AND IS TO BE COORDINATED WITH THE ROAD CONTRACT

Not Applicable

THE FOLLOWING FACILITY OWNERS HAVE FACILITIES TO BE RELOCATED/ADJUSTED BY THE ROAD CONTRACTOR AS INCLUDED IN THIS CONTRACT

Not Applicable

RAIL COMPANIES HAVE FACILITIES IN CONJUNCTION WITH THIS PROJECT AS NOTED

No Rail Involvement Rail Involved Rail Adjacent

UTILITIES AND RAIL CERTIFICATION NOTE

Morgan County
No federal number available
No state project number available
Mile point: 17.64 to 17.65
STORM SEWER REPAIRS ON US 460 IN WEST LIBERTY.

AREA FACILITY OWNER CONTACT LIST

Facility Owner	Address	Contact Name	Phone	Email
AEP	12333 Kevin Ave. Ashland, KY 41102	Ron Canfield	6069241462	rlcanfield@aep.com
City of West Liberty	565 Main St. West Liberty, KY 41472	Sally Barker	6067433330	wliberty@mrtc.com
Mountain Rural Telephone Cooperative	405 Main St. West Liberty, KY 41472	Steven Gullett	6067232197	sgullett@mountaintelephone.com



KENTUCKY TRANSPORTATION CABINET
Department of Highways
DIVISION OF RIGHT OF WAY & UTILITIES

TC 62-226
Rev. 01/2016
Page 1 of 1

RIGHT OF WAY CERTIFICATION

<input checked="" type="checkbox"/>	Original	<input type="checkbox"/>	Re-Certification	RIGHT OF WAY CERTIFICATION
-------------------------------------	-----------------	--------------------------	-------------------------	-----------------------------------

ITEM #	COUNTY	PROJECT # (STATE)	PROJECT # (FEDERAL)
	Morgan	FE01 088 0460 017-018	

PROJECT DESCRIPTION

Storm sewer Repair in West Liberty (US 460)

No Additional Right of Way Required

Construction will be within the limits of the existing right of way. The right of way was acquired in accordance to FHWA regulations under the Uniform Relocation Assistance and Real Property Acquisitions Policy Act of 1970, as amended. No additional right of way or relocation assistance were required for this project.

Condition # 1 (Additional Right of Way Required and Cleared)

All necessary right of way, including control of access rights when applicable, have been acquired including legal and physical possession. Trial or appeal of cases may be pending in court but legal possession has been obtained. There may be some improvements remaining on the right-of-way, but all occupants have vacated the lands and improvements, and KYTC has physical possession and the rights to remove, salvage, or demolish all improvements and enter on all land. Just Compensation has been paid or deposited with the court. All relocations have been relocated to decent, safe, and sanitary housing or that KYTC has made available to displaced persons adequate replacement housing in accordance with the provisions of the current FHWA directive.

Condition # 2 (Additional Right of Way Required with Exception)

The right of way has not been fully acquired, the right to occupy and to use all rights-of-way required for the proper execution of the project has been acquired. Some parcels may be pending in court and on other parcels full legal possession has not been obtained, but right of entry has been obtained, the occupants of all lands and improvements have vacated, and KYTC has physical possession and right to remove, salvage, or demolish all improvements. Just Compensation has been paid or deposited with the court for most parcels. Just Compensation for all pending parcels will be paid or deposited with the court prior to AWARD of construction contract

Condition # 3 (Additional Right of Way Required with Exception)

The acquisition or right of occupancy and use of a few remaining parcels are not complete and/or some parcels still have occupants. All remaining occupants have had replacement housing made available to them in accordance with 49 CFR 24.204. KYTC is hereby requesting authorization to advertise this project for bids and to proceed with bid letting even though the necessary right of way will not be fully acquired, and/or some occupants will not be relocated, and/or the just compensation will not be paid or deposited with the court for some parcels until after bid letting. KYTC will fully meet all the requirements outlined in 23 CFR 635.309(c)(3) and 49 CFR 24.102(j) and will expedite completion of all acquisitions, relocations, and full payments after bid letting and prior to AWARD of the construction contract or force account construction.

Total Number of Parcels on Project	EXCEPTION (S) Parcel #	ANTICIPATED DATE OF POSSESSION WITH EXPLANATION
Number of Parcels That Have Been Acquired		
Signed Deed		
Condemnation		
Signed ROE		

Notes/ Comments (Text is limited. Use additional sheet if necessary.)

LPA RW Project Manager		Right of Way Supervisor	
Printed Name		Printed Name	Edgar Raleigh II
Signature		Signature	2020.08.20 14:38:10 -04'00'
Date		Date	August 20, 2020
Right of Way Director		FHWA	
Printed Name		Printed Name	No Signature Required as per FHWA-KYTC Current Stewardship Agreement
Signature	Digitally signed by DM Loy Date: 2020.08.21 09:09:57 -04'00'	Signature	
Date		Date	

UTILITIES AND RAIL CERTIFICATION NOTE

Morgan County
No federal number available
No state project number available
Mile point: 17.64 to 17.65
STORM SEWER REPAIRS ON US 460 IN WEST LIBERTY.

PROJECT NOTES ON UTILITIES

The contractor shall make every effort to protect underground facilities from damage as prescribed in the Underground Facility Damage Protection Act of 1994, Kentucky Revised Statute KRS 367.4901 to 367.4917. It is the contractor's responsibility to determine and take steps necessary to be in compliance with federal and state damage prevention directives. The contractor is instructed to contact KY 811 for the location of existing underground utilities. Contact shall be made a minimum of two (2) and no more than ten (10) business days prior to excavation. The contractor shall submit Excavation Locate Requests to the Kentucky Contact Center (KY 811) via web ticket entry. The submission of this request does not relieve the contractor from the responsibility of contacting non-member facility owners, whom are to be contacted through their individual Protection Notification Center. It may be necessary for the contractor to contact the County Court Clerk to determine what utility companies have facilities in the area. Non-compliance with these directives can result in the enforcement of penalties.

For all projects under 2000 Linear feet which require a normal excavation locate request pursuant to KRS 367.4901-4917, the awarded contractor shall field mark the proposed excavation or construction boundaries of the project (also called white lining) using the procedure set forth in KRS 367.4909(9)(k).

Utility coordination efforts determined that no significant utility relocation work is required to complete the project. Any work pertaining to these utility facilities is defined in the bid package and is to be carried out as instructed by the Kentucky Transportation Cabinet. The contractor will be responsible for any coordination or adjustments that are discussed or quantified in the proposal.

NOTE: DO NOT DISTURB THE FOLLOWING FACILITIES LOCATED WITHIN THE PROJECT DISTURB LIMITS

AEP (Kentucky Power) - Electric

City of West Liberty - Natural Gas

City of West Liberty - Water

Mountain Rural Telephone Cooperative - Telephone

City of West Liberty - Sewer

The Contractor is fully responsible for protection of all utilities listed above

UTILITIES AND RAIL CERTIFICATION NOTE

Morgan County
No federal number available
No state project number available
Mile point: 17.64 to 17.65
STORM SEWER REPAIRS ON US 460 IN WEST LIBERTY.

THE FOLLOWING FACILITY OWNERS ARE RELOCATING/ADJUSTING THEIR FACILITIES WITHIN THE PROJECT LIMITS AND WILL BE COMPLETE PRIOR TO CONSTRUCTION

Not Applicable

THE FOLLOWING FACILITY OWNERS HAVE FACILITIES TO BE RELOCATED/ADJUSTED BY THE OWNER OR THEIR SUBCONTRACTOR AND IS TO BE COORDINATED WITH THE ROAD CONTRACT

Not Applicable

THE FOLLOWING FACILITY OWNERS HAVE FACILITIES TO BE RELOCATED/ADJUSTED BY THE ROAD CONTRACTOR AS INCLUDED IN THIS CONTRACT

Not Applicable

RAIL COMPANIES HAVE FACILITIES IN CONJUNCTION WITH THIS PROJECT AS NOTED

No Rail Involvement **Rail Involved** **Rail Adjacent**

UTILITIES AND RAIL CERTIFICATION NOTE

Morgan County
No federal number available
No state project number available
Mile point: 17.64 to 17.65
STORM SEWER REPAIRS ON US 460 IN WEST LIBERTY.

AREA FACILITY OWNER CONTACT LIST

Facility Owner	Address	Contact Name	Phone	Email
AEP	12333 Kevin Ave. Ashland, KY 41102	Ron Canfield	6069241462	rlcanfield@aep.com
City of West Liberty	565 Main St. West Liberty, KY 41472	Sally Barker	6067433330	wliberty@mrtc.com
Mountain Rural Telephone Cooperative	405 Main St. West Liberty, KY 41472	Steven Gullett	6067232197	sgullett@mountaintelephone.com

PART II
SPECIFICATIONS AND STANDARD DRAWINGS

SPECIFICATIONS REFERENCE

Any reference in the plans or proposal to previous editions of the *Standard Specifications for Road and Bridge Construction* and *Standard Drawings* are superseded by *Standard Specifications for Road and Bridge Construction, Edition of 2019* and *Standard Drawings, Edition of 2020*.

SUPPLEMENTAL SPECIFICATIONS

The contractor shall use the Supplemental Specifications that are effective at the time of letting.
The Supplemental Specifications can be found at the following link:

<http://transportation.ky.gov/Construction/Pages/Kentucky-Standard-Specifications.aspx>

PART III

EMPLOYMENT, WAGE AND RECORD REQUIREMENTS

**TRANSPORTATION CABINET
DEPARTMENT OF HIGHWAYS**

**LABOR AND WAGE REQUIREMENTS
APPLICABLE TO OTHER THAN FEDERAL-AID SYSTEM PROJECTS**

- I. Application
- II. Nondiscrimination of Employees (KRS 344)

I. APPLICATION

1. These contract provisions shall apply to all work performed on the contract by the contractor with his own organization and with the assistance of workmen under his immediate superintendence and to all work performed on the contract by piecework, station work or by subcontract. The contractor's organization shall be construed to include only workmen employed and paid directly by the contractor and equipment owned or rented by him, with or without operators.

2. The contractor shall insert in each of his subcontracts all of the stipulations contained in these Required Provisions and such other stipulations as may be required.

3. A breach of any of the stipulations contained in these Required Provisions may be grounds for termination of the contract.

3. If the contractor is in control of apprenticeship or other training or retraining, including on-the-job training programs, he shall not discriminate against an individual because of his race, color, religion, national origin, sex, disability or age forty (40) and over, in admission to, or employment in any program established to provide apprenticeship or other training.

4. The contractor will send to each labor union or representative of workers with which he has a collective bargaining agreement or other contract or understanding, a notice to be provided advising the said labor union or workers' representative of the contractor's commitments under this section, and shall post copies of the notice in conspicuous places available to employees and applicants for employment. The contractor will take such action with respect to any subcontract or purchase order as the administrating agency may direct as a means of enforcing such provisions, including sanctions for non-compliance.

Revised: January 25, 2017

II. NONDISCRIMINATION OF EMPLOYEES

**AN ACT OF THE KENTUCKY
GENERAL ASSEMBLY TO PREVENT
DISCRIMINATION IN EMPLOYMENT
KRS CHAPTER 344
EFFECTIVE JUNE 16, 1972**

The contract on this project, in accordance with KRS Chapter 344, provides that during the performance of this contract, the contractor agrees as follows:

1. The contractor shall not fail or refuse to hire, or shall not discharge any individual, or otherwise discriminate against an individual with respect to his compensation, terms, conditions, or privileges of employment, because of such individual's race, color, religion, national origin, sex, disability or age (forty and above); or limit, segregate, or classify his employees in any way which would deprive or tend to deprive an individual of employment opportunities or otherwise adversely affect his status as an employee, because of such individual's race, color, religion, national origin, sex, disability or age forty (40) and over. The contractor agrees to post in conspicuous places, available to employees and applicants for employment, notices to be provided setting forth the provisions of this nondiscrimination clause.

2. The contractor shall not print or publish or cause to be printed or published a notice or advertisement relating to employment by such an employer or membership in or any classification or referral for employment by the employment agency, indicating any preference, limitation, specification, or discrimination, based on race, color, religion, national origin, sex, or age forty (40) and over, or because the person is a qualified individual with a disability, except that such a notice or advertisement may indicate a preference, limitation, or specification based on religion, national origin, sex, or age forty (40) and over, or because the person is a qualified individual with a disability, when religion, national origin, sex, or age forty (40) and over, or because the person is a qualified individual with a disability, is a bona fide occupational qualification for employment.

EXECUTIVE BRANCH CODE OF ETHICS

In the 1992 regular legislative session, the General Assembly passed and Governor Brereton Jones signed Senate Bill 63 (codified as KRS 11A), the Executive Branch Code of Ethics, which states, in part:

KRS 11A.040 (7) provides:

No present or former public servant shall, within six (6) months following termination of his office or employment, accept employment, compensation, or other economic benefit from any person or business that contracts or does business with, or is regulated by, the state in matters in which he was directly involved during the last thirty-six (36) months of his tenure. This provision shall not prohibit an individual from returning to the same business, firm, occupation, or profession in which he was involved prior to taking office or beginning his term of employment, or for which he received, prior to his state employment, a professional degree or license, provided that, for a period of six (6) months, he personally refrains from working on any matter in which he was directly involved during the last thirty-six (36) months of his tenure in state government. This subsection shall not prohibit the performance of ministerial functions, including but not limited to filing tax returns, filing applications for permits or licenses, or filing incorporation papers, nor shall it prohibit the former officer or public servant from receiving public funds disbursed through entitlement programs.

KRS 11A.040 (9) states:

A former public servant shall not represent a person or business before a state agency in a matter in which the former public servant was directly involved during the last thirty-six (36) months of his tenure, for a period of one (1) year after the latter of:

- a) The date of leaving office or termination of employment; or
- b) The date the term of office expires to which the public servant was elected.

This law is intended to promote public confidence in the integrity of state government and to declare as public policy the idea that state employees should view their work as a public trust and not as a way to obtain private benefits.

If you have worked for the executive branch of state government within the past six months, you may be subject to the law's prohibitions. The law's applicability may be different if you hold elected office or are contemplating representation of another before a state agency.

Also, if you are affiliated with a firm which does business with the state and which employs former state executive-branch employees, you should be aware that the law may apply to them.

In case of doubt, the law permits you to request an advisory opinion from the Executive Branch Ethics Commission, 3 Fountain Place, Frankfort, Kentucky 40601; telephone (502) 564-7954.

Revised: January 27, 2017

Kentucky Equal Employment Opportunity Act of 1978

The requirements of the Kentucky Equal Employment Opportunity Act of 1978 (KRS 45.560-45.640) shall apply to this Contract. The apparent low Bidder will be required to submit EEO forms to the Division of Construction Procurement, which will then forward to the Finance and Administration Cabinet for review and approval. No award will become effective until all forms are submitted and EEO/CC has certified compliance. The required EEO forms are as follows:

- EEO-1: Employer Information Report
- Affidavit of Intent to Comply
- Employee Data Sheet
- Subcontractor Report

These forms are available on the Finance and Administration's web page under ***Vendor Information, Standard Attachments and General Terms*** at the following address:
<https://www.eProcurement.ky.gov>.

Bidders currently certified as being in compliance by the Finance and Administration Cabinet may submit a copy of their approval letter in lieu of the referenced EEO forms.

For questions or assistance please contact the Finance and Administration Cabinet by email at **finance.contractcompliance@ky.gov** or by phone at 502-564-2874.

EMPLOYEE RIGHTS UNDER THE FAIR LABOR STANDARDS ACT

THE UNITED STATES DEPARTMENT OF LABOR WAGE AND HOUR DIVISION

FEDERAL MINIMUM WAGE

\$7.25

 PER HOUR

BEGINNING JULY 24, 2009

OVERTIME PAY At least 1½ times your regular rate of pay for all hours worked over 40 in a workweek.

CHILD LABOR An employee must be at least **16** years old to work in most non-farm jobs and at least **18** to work in non-farm jobs declared hazardous by the Secretary of Labor.

Youths **14** and **15** years old may work outside school hours in various non-manufacturing, non-mining, non-hazardous jobs under the following conditions:

No more than

- **3** hours on a school day or **18** hours in a school week;
- **8** hours on a non-school day or **40** hours in a non-school week.

Also, work may not begin before **7 a.m.** or end after **7 p.m.**, except from June 1 through Labor Day, when evening hours are extended to **9 p.m.** Different rules apply in agricultural employment.

TIP CREDIT Employers of “tipped employees” must pay a cash wage of at least \$2.13 per hour if they claim a tip credit against their minimum wage obligation. If an employee’s tips combined with the employer’s cash wage of at least \$2.13 per hour do not equal the minimum hourly wage, the employer must make up the difference. Certain other conditions must also be met.

ENFORCEMENT The Department of Labor may recover back wages either administratively or through court action, for the employees that have been underpaid in violation of the law. Violations may result in civil or criminal action.

Employers may be assessed civil money penalties of up to \$1,100 for each willful or repeated violation of the minimum wage or overtime pay provisions of the law and up to \$11,000 for each employee who is the subject of a violation of the Act’s child labor provisions. In addition, a civil money penalty of up to \$50,000 may be assessed for each child labor violation that causes the death or serious injury of any minor employee, and such assessments may be doubled, up to \$100,000, when the violations are determined to be willful or repeated. The law also prohibits discriminating against or discharging workers who file a complaint or participate in any proceeding under the Act.

ADDITIONAL INFORMATION

- Certain occupations and establishments are exempt from the minimum wage and/or overtime pay provisions.
- Special provisions apply to workers in American Samoa and the Commonwealth of the Northern Mariana Islands.
- Some state laws provide greater employee protections; employers must comply with both.
- The law requires employers to display this poster where employees can readily see it.
- Employees under 20 years of age may be paid \$4.25 per hour during their first 90 consecutive calendar days of employment with an employer.
- Certain full-time students, student learners, apprentices, and workers with disabilities may be paid less than the minimum wage under special certificates issued by the Department of Labor.

For additional information:



1-866-4-USWAGE

(1-866-487-9243)

TTY: 1-877-889-5627



WWW.WAGEHOUR.DOL.GOV

PART IV
INSURANCE

Refer to
Kentucky Standard Specifications for Road and Bridge Construction,
current edition

PART V
BID ITEMS

PROPOSAL BID ITEMS

201030

Page 1 of 1

Report Date 8/31/20

Section: 0001 - ROADWAY

LINE	BID CODE	ALT	DESCRIPTION	QUANTITY	UNIT	UNIT PRIC	FP	AMOUNT
0010	00001		DGA BASE	38.00	TON		\$	
0020	00020		TRAFFIC BOUND BASE	20.00	TON		\$	
0030	00212		CL2 ASPH BASE 1.00D PG64-22	36.00	TON		\$	
0040	00301		CL2 ASPH SURF 0.38D PG64-22	24.00	TON		\$	
0050	00356		ASPHALT MATERIAL FOR TACK	.10	TON		\$	
0060	00524		STORM SEWER PIPE-24 IN	12.00	LF		\$	
0070	00528		STORM SEWER PIPE-36 IN	20.00	LF		\$	
0080	01646		JUNCTION BOX-42 IN	1.00	EACH		\$	
0090	01767		MANHOLE TYPE C	1.00	EACH		\$	
0100	02014		BARRICADE-TYPE III	2.00	EACH		\$	
0110	02483		CHANNEL LINING CLASS II	100.00	TON		\$	
0120	02562		TEMPORARY SIGNS	150.00	SQFT		\$	
0130	02607		FABRIC-GEOTEXTILE CLASS 2 FOR PIPE	457.00	SQYD	\$2.00	\$	\$914.00
0140	02650		MAINTAIN & CONTROL TRAFFIC	1.00	LS		\$	
0150	02701		TEMP SILT FENCE	100.00	LF		\$	
0160	02726		STAKING	1.00	LS		\$	
0170	05963		INITIAL FERTILIZER	.10	TON		\$	
0180	05985		SEEDING AND PROTECTION	300.00	SQYD		\$	
0190	06514		PAVE STRIPING-PERM PAINT-4 IN	300.00	LF		\$	
0200	08100		CONCRETE-CLASS A	2.00	CUYD		\$	

Section: 0002 - DEMOBILIZATION &/OR MOBILIZATION

LINE	BID CODE	ALT	DESCRIPTION	QUANTITY	UNIT	UNIT PRIC	FP	AMOUNT
0210	02569		DEMOBILIZATION	1.00	LS		\$	