



**CALL NO. 100**

**CONTRACT ID. 221336**

**FAYETTE COUNTY**

**FED/STATE PROJECT NUMBER NHPP IM 0754 (066)**

**DESCRIPTION I-75**

**WORK TYPE ASPHALT PAVEMENT & ROADWAY REHAB**

**PRIMARY COMPLETION DATE 10/1/2023**

**LETTING DATE: August 18,2022**

Sealed Bids will be received electronically through the Bid Express bidding service until 10:00 AM EASTERN DAYLIGHT TIME August 18,2022. Bids will be publicly announced at 10:00 AM EASTERN DAYLIGHT TIME.

**NO PLANS ASSOCIATED WITH THIS PROJECT.**

**DBE CERTIFICATION REQUIRED - 15%**

**REQUIRED BID PROPOSAL GUARANTY: Not less than 5% of the total bid.**

## TABLE OF CONTENTS

PART I	SCOPE OF WORK
	<ul style="list-style-type: none"><li>• PROJECT(S), COMPLETION DATE(S), &amp; LIQUIDATED DAMAGES</li><li>• CONTRACT NOTES</li><li>• FEDERAL CONTRACT NOTES</li><li>• NATIONAL HIGHWAY</li><li>• ASPHALT MIXTURE</li><li>• DGA BASE</li><li>• DGA BASE FOR SHOULDERS</li><li>• INCIDENTAL SURFACING</li><li>• FUEL AND ASPHALT PAY ADJUSTMENT</li><li>• ASPHALT PAVEMENT RIDE QUALITY CAT A</li><li>• COMPACTION OPTION A</li><li>• SPECIAL NOTE(S) APPLICABLE TO PROJECT</li><li>• WASTE AND BORROW SITES</li><li>• TRAFFIC QUEUE PROTECTION VEHICLE</li><li>• PORTABLE QUEUE WARNING ALERT SYSTEM</li><li>• PAVER MOUNTED TEMPERATURE PROFILES</li><li>• EXPERIMENTAL KYCT AND HAMBURG TESTING</li><li>• CONTRACT COMPLETION DATE AND LIQUIDATED DAMAGES</li><li>• RIGHT OF WAY CERTIFICATION</li><li>• UTILITY IMPACT &amp; RAIL CERTIFICATION NOTES</li><li>• GUARDRAIL DELIVERY VERIFICATION SHEET</li></ul>
PART II	SPECIFICATIONS AND STANDARD DRAWINGS
	<ul style="list-style-type: none"><li>• SPECIFICATIONS REFERENCE</li><li>• SUPPLEMENTAL SPECIFICATION</li><li>• [SN-1I] PORTABLE CHANGEABLE SIGNS</li><li>• [SN-11N] LONGITUDINAL PAVEMENT JOINT ADHESIVE</li><li>• INLAID PAVEMENT MARKER ARRANGEMENTS MULTI-LANE ROADWAYS</li><li>• INLAID PAVEMENT MARKER ARRANGEMENT EXIT GORE AND OFF-RAMP</li><li>• INLAID PAVEMENT MARKER ARRANGEMENT ON-RAMP WITH PARALLEL ACCELERATION LANE</li><li>• SECURITY PLATE ASSEMBLY</li></ul>
PART III	EMPLOYMENT, WAGE AND RECORD REQUIREMENTS
	<ul style="list-style-type: none"><li>• FEDERAL-AID CONSTRUCTION CONTRACTS - FHWA 1273</li><li>• NONDISCRIMINATION OF EMPLOYEES</li><li>• EXECUTIVE BRANCH CODE OF ETHICS</li><li>• PROJECT WAGE RATES LOCALITY 3 / FEDERAL</li><li>• PROJECT WAGE RATES / STATE FUNDED</li><li>• NOTICE OF REQUIREMENT FOR AFFIRMATIVE ACTION TO ENSURE EEO FAYETTE</li></ul>
PART IV	INSURANCE
PART V	BID ITEMS

**PART I**  
**SCOPE OF WORK**

## ADMINISTRATIVE DISTRICT - 07

**CONTRACT ID - 221336**

**NHPP IM 0754 (066)**

**COUNTY - FAYETTE**

**PCN - DE03400752201**

**NHPP IM 0754 (066)**

I-75 REHAB FROM MILEPOINT 97.865 TO 107.445, A DISTANCE OF 09.58 MILES.ASPHALT PAVEMENT &  
ROADWAY REHAB SYP NO. 07-22116.00.

GEOGRAPHIC COORDINATES LATITUDE 37:56:45.00 LONGITUDE 84:23:00.00

ADT 71,232

**COMPLETION DATE(S):**

COMPLETED BY 11/15/2022	INTERMEDIATE - PAVEMENT LANE AND PAVEMENT JOINT REPAIRS
COMPLETED BY 10/01/2023	FINAL - APPLIES TO ENTIRE CONTRACT

## **CONTRACT NOTES**

### **PROPOSAL ADDENDA**

All addenda to this proposal must be applied when calculating bid and certified in the bid packet submitted to the Kentucky Department of Highways. Failure to use the correct and most recent addenda may result in the bid being rejected.

### **BID SUBMITTAL**

Bidder must use the Department's electronic bidding software. The Bidder must download the bid file located on the Bid Express website ([www.bidx.com](http://www.bidx.com)) to prepare a bid packet for submission to the Department. The bidder must submit electronically using Bid Express.

### **JOINT VENTURE BIDDING**

Joint venture bidding is permissible. All companies in the joint venture must be prequalified in one of the work types in the Qualifications for Bidders for the project. The bidders must get a vendor ID for the joint venture from the Division of Construction Procurement and register the joint venture as a bidder on the project. Also, the joint venture must obtain a digital ID from Bid Express to submit a bid. A joint bid bond of 5% may be submitted for both companies or each company may submit a separate bond of 5%.

### **UNDERGROUND FACILITY DAMAGE PROTECTION**

The contractor shall make every effort to protect underground facilities from damage as prescribed in the Underground Facility Damage Protection Act of 1994, Kentucky Revised Statute KRS 367.4901 to 367.4917. It is the contractor's responsibility to determine and take steps necessary to be in compliance with federal and state damage prevention directives. When prescribed in said directives, the contractor shall submit Excavation Locate Requests to the Kentucky Contact Center (KY811) via web ticket entry. The submission of this request does not relieve the contractor from the responsibility of contacting non-member facility owners, whom shall be contacted through their individual Protection Notification Center. Non-compliance with these directives can result in the enforcement of penalties.

### **REGISTRATION WITH THE SECRETARY OF STATE BY A FOREIGN ENTITY**

Pursuant to KRS 176.085(1)(b), an agency, department, office, or political subdivision of the Commonwealth of Kentucky shall not award a state contract to a person that is a foreign entity required by [KRS 14A.9-010](#) to obtain a certificate of authority to transact business in the Commonwealth ("certificate") from the Secretary of State under [KRS 14A.9-030](#) unless the person produces the certificate within fourteen (14) days of the bid or proposal opening. If the foreign entity is not required to obtain a certificate as provided in [KRS 14A.9-010](#), the foreign entity should identify the applicable exception. Foreign entity is defined within [KRS 14A.1-070](#).

**For all foreign entities required to obtain a certificate of authority to transact business in the Commonwealth, if a copy of the certificate is not received by the contracting agency within the time frame identified above, the foreign entity's solicitation response shall be deemed non-responsive or the awarded contract shall be cancelled.**

Businesses can register with the Secretary of State at <https://secure.kentucky.gov/sos/ftbr/welcome.aspx>.

### **SPECIAL NOTE FOR PROJECT QUESTIONS DURING ADVERTISEMENT**

Questions about projects during the advertisement should be submitted in writing to the Division of Construction Procurement. This may be done by fax (502) 564-7299 or email to [kytc.projectquestions@ky.gov](mailto:kytc.projectquestions@ky.gov). The Department will attempt to answer all submitted questions. The Department reserves the right not to answer if the question is not pertinent or does not aid in clarifying the project intent.

The deadline for posting answers will be 3:00 pm Eastern Daylight Time, the day preceding the Letting. Questions may be submitted until this deadline with the understanding that the later a question is submitted, the less likely an answer will be able to be provided.

The questions and answers will be posted for each Letting under the heading "Questions & Answers" on the Construction Procurement website ([www.transportation.ky.gov/contract](http://www.transportation.ky.gov/contract)). The answers provided shall be considered part of this Special Note and, in case of a discrepancy, will govern over all other bidding documents.

### **HARDWOOD REMOVAL RESTRICTIONS**

The US Department of Agriculture has imposed a quarantine in Kentucky and several surrounding states, to prevent the spread of an invasive insect, the emerald ash borer. Hardwood cut in conjunction with the project may not be removed from the state. Chipping or burning on site is the preferred method of disposal.

### **INSTRUCTIONS FOR EXCESS MATERIAL SITES AND BORROW SITES**

Identification of excess material sites and borrow sites shall be the responsibility of the Contractor. The Contractor shall be responsible for compliance with all applicable state and federal laws and may wish to consult with the US Fish and Wildlife Service to seek protection under Section 10 of the Endangered Species Act for these activities.

### **ACCESS TO RECORDS**

The contractor, as defined in KRS 45A.030 (9) agrees that the contracting agency, the Finance and Administration Cabinet, the Auditor of Public Accounts, and the Legislative Research Commission, or their duly authorized representatives, shall have access to any books, documents, papers, records, or other evidence, which are directly pertinent to this contract for the purpose of financial audit or program review. Records and other prequalification information confidentially

disclosed as part of the bid process shall not be deemed as directly pertinent to the contract and shall be exempt from disclosure as provided in KRS 61.878(1)(c). The contractor also recognizes that any books, documents, papers, records, or other evidence, received during a financial audit or program review shall be subject to the Kentucky Open Records Act, KRS 61.870 to 61.884.

In the event of a dispute between the contractor and the contracting agency, Attorney General, or the Auditor of Public Accounts over documents that are eligible for production and review, the Finance and Administration Cabinet shall review the dispute and issue a determination, in accordance with Secretary's Order 11-004.

April 30, 2018

### **FEDERAL CONTRACT NOTES**

The Kentucky Department of Highways, in accordance with the Regulations of the United States Department of Transportation 23 CFR 635.112 (h), hereby notifies all bidders that failure by a bidder to comply with all applicable sections of the current Kentucky Standard Specifications, including, but not limited to the following, may result in a bid not being considered responsive and thus not eligible to be considered for award:

- |                                |  |
|--------------------------------|--|
| 102.02 Current Rating          | 102.08 Preparation and Delivery of Proposals |
| 102.13 Irregular Bid Proposals | 102.14 Disqualification of Bidders           |
| 102.09 Proposal Guaranty       |  |

### **CIVIL RIGHTS ACT OF 1964**

The Kentucky Transportation Cabinet, Department of Highways, in accordance with the provisions of Title VI of the Civil Rights Act of 1964 (78 Stat. 252, 42 U.S.C. §§ 2000d to 2000d-4) and the Regulations, hereby notifies all bidders that it will affirmatively ensure that any contract entered into pursuant to this advertisement, disadvantaged business enterprises will be afforded full and fair opportunity to submit bids in response to this invitation and will not be discriminated against on the grounds of race, color, national origin, sex, age (over 40), religion, sexual orientation, gender identity, veteran status, disability, income- level, or Limited English Proficiency (LEP) in consideration for an award.

### **NOTICE TO ALL BIDDERS**

To report bid rigging activities call: 1-800-424-9071.

The U.S. Department of Transportation (DOT) operates the above toll-free “hotline” Monday through Friday, 8:00 a.m. to 5:00 p.m. eastern time. Anyone with knowledge of possible bid rigging, bidder collusion, or other fraudulent activities should use the “hotline” to report such activities.

The “hotline” is part of the DOT’s continuing effort to identify and investigate highway construction contract fraud and abuse and is operated under the direction of the DOT Inspector General. All information will be treated confidentially and caller anonymity will be respected.

### **SECOND TIER SUBCONTRACTS**

Second tier subcontracts are acceptable per Section 108.01 of the Standard Specifications for Road and Bridge Construction. Sub-Contractors fulfilling a disadvantaged business enterprise goal on a project may enter into a 2<sup>nd</sup> tier subcontract with a Non-DBE Subcontractor. However, in this instance, none of the work subcontracted to the Non-DBE Contractor will count toward fulfilling the established Disadvantaged Goal for the project.



### **DISADVANTAGED BUSINESS ENTERPRISE PROGRAM**

It is the policy of the Kentucky Transportation Cabinet (“the Cabinet”) that Disadvantaged Business Enterprises (“DBE”) shall have the opportunity to participate in the performance of highway construction projects financed in whole or in part by Federal Funds in order to create a level playing field for all businesses who wish to contract with the Cabinet. To that end, the Cabinet will comply with the regulations found in 49 CFR Part 26, and the definitions and requirements contained therein shall be adopted as if set out verbatim herein.

The Cabinet, contractors, subcontractors, and sub-recipients shall not discriminate on the basis of race, color, national origin, or sex in the performance of work performed pursuant to Cabinet contracts. The contractor shall carry out applicable requirements of 49 CFR 26 in the award and administration of federally assisted highway construction projects. The contractor will include this provision in all its subcontracts and supply agreements pertaining to contracts with the Cabinet.

Failure by the contractor to carry out these requirements is a material breach of its contract with the Cabinet, which may result in the termination of the contract or such other remedy as the Cabinet deems necessary.

### **DBE GOAL**

The Disadvantaged Business Enterprise (DBE) goal established for this contract, as listed on the front page of the proposal, is the percentage of the total value of the contract.

The contractor shall exercise all necessary and reasonable steps to ensure that Disadvantaged Business Enterprises participate in a least the percent of the contract as set forth above as goals for this contract.

### **OBLIGATION OF CONTRACTORS**

Each contractor prequalified to perform work on Cabinet projects shall designate and make known to the Cabinet a liaison officer who is assigned the responsibility of effectively administering and promoting an active program for utilization of DBEs.

If a formal goal has not been designated for the contract, all contractors are encouraged to consider DBEs for subcontract work as well as for the supply of material and services needed to perform this work.

Contractors are encouraged to use the services of banks owned and controlled by minorities and women.

### **CERTIFICATION OF CONTRACT GOAL**

Contractors shall include the following certification in bids for projects for which a DBE goal has been established. BIDS SUBMITTED WHICH DO NOT INCLUDE CERTIFICATION OF DBE PARTICIPATION WILL NOT BE ACCEPTED. These bids will not be considered for award by the Cabinet and they will be returned to the bidder.

“The bidder certifies that it has secured participation by Disadvantaged Business Enterprises (“DBE”) in the amount of \_\_\_\_\_ percent of the total value of this contract and that the DBE participation is in compliance with the requirements of 49 CFR 26 and the policies of the Kentucky Transportation Cabinet pertaining to the DBE Program.”

**The certification statement is located in the electronic bid file. All contractors must certify their DBE participation on that page. DBEs utilized in achieving the DBE goal must be certified and prequalified for the work items at the time the bid is submitted.**

### **DBE PARTICIPATION PLAN**

Lowest responsive bidders must submit the *DBE Plan/ Subcontractor Request*, form TC 14-35 DBE, within **5** days of the letting. This is necessary before the Awards Committee will review and make a recommendation. **The project will not be considered for award prior to submission and approval of the apparent low bidder’s DBE Plan/Subcontractor Request.**

The DBE Participation Plan shall include the following:

1. Name and address of DBE Subcontractor(s) and/or supplier(s) intended to be used in the proposed project;
2. Description of the work each is to perform including the work item, unit, quantity, unit price and total amount of the work to be performed by the individual DBE. The Proposal Line Number, Category Number, and the Project Line Number can be found in the “material listing” on the Construction Procurement website under the specific letting;
3. The dollar value of each proposed DBE subcontract and the percentage of total project contract value this represents. DBE participation may be counted as follows:
  - a. If DBE suppliers and manufactures assume actual and contractual responsibility, the dollar value of materials to be furnished will be counted toward the goal as follows:
    - The entire expenditure paid to a DBE manufacturer;
    - 60 percent of expenditures to DBE suppliers that are not manufacturers provided the supplier is a regular dealer in the product involved. A regular dealer must be engaged in, as its principal business and in its own name, the sale of products to the public, maintain an inventory and own and operate distribution equipment; and
    - The amount of fees or commissions charged by the DBE firms for a bona fide service, such as professional, technical, consultant, or managerial services and assistance in the procurement of essential personnel, facilities, equipment, materials, supplies, delivery of materials and supplies or for furnishing bonds, or insurance, providing such fees or commissions are determined to be reasonable and customary.

- b) The dollar value of services provided by DBEs such as quality control testing, equipment repair and maintenance, engineering, staking, etc.;
- c) The dollar value of joint ventures. DBE credit for joint ventures will be limited to the dollar amount of the work actually performed by the DBE in the joint venture;
4. Written and signed documentation of the bidder's commitment to use a DBE contractor whose participation is being utilized to meet the DBE goal; and
5. Written and signed confirmation from the DBE that it is participating in the contract as provided in the prime contractor's commitment.

**UPON AWARD AND BEFORE A WORK ORDER WILL BE ISSUED**

Contractors must submit the signed subcontract between the contractor and the DBE contractor, along with the DBE's certificate of insurance. If the DBE is a supplier of materials for the project, a signed purchase order must be submitted to the Division of Construction Procurement.

Changes to DBE Participation Plans must be approved by the Cabinet. The Cabinet may consider extenuating circumstances including, but not limited to, changes in the nature or scope of the project, the inability or unwillingness of a DBE to perform the work in accordance with the bid, and/or other circumstances beyond the control of the prime contractor.

**CONSIDERATION OF GOOD FAITH EFFORTS REQUESTS**

If the DBE participation submitted in the bid by the apparent lowest responsive bidder does not meet or exceed the DBE contract goal, the apparent lowest responsive bidder must submit a Good Faith Effort Package to satisfy the Cabinet that sufficient good faith efforts were made to meet the contract goals prior to submission of the bid. Efforts to increase the goal after bid submission will not be considered in justifying the good faith effort, unless the contractor can show that the proposed DBE was solicited prior to the letting date. DBEs utilized in achieving the DBE goal must be certified and prequalified for the work items at the time the bid is submitted. One complete set (hard copy along with an electronic copy) of this information must be received in the Division of Contract Procurement no later than 12:00 noon of the tenth calendar day after receipt of notification that they are the apparent low bidder.

Where the information submitted includes repetitious solicitation letters it will be acceptable to submit a sample representative letter along with a distribution list of the firms solicited. Documentation of DBE quotations shall be a part of the good faith effort submittal as necessary to demonstrate compliance with the factors listed below which the Cabinet considers in judging good faith efforts. This documentation may include written subcontractors' quotations, telephone log notations of verbal quotations, or other types of quotation documentation.

The Good Faith Effort Package shall include, but may not be limited to information showing evidence of the following:

1. Whether the bidder attended any pre-bid meetings that were scheduled by the Cabinet to inform DBEs of subcontracting opportunities;
2. Whether the bidder provided solicitations through all reasonable and available means;
3. Whether the bidder provided written notice to all DBEs listed in the DBE directory at the time of the letting who are prequalified in the areas of work that the bidder will be subcontracting;
4. Whether the bidder followed up initial solicitations of interest by contacting DBEs to determine with certainty whether they were interested. If a reasonable amount of DBEs within the targeted districts do not provide an intent to quote or no DBEs are prequalified in the subcontracted areas, the bidder must notify the Disadvantaged Enterprise Business Liaison Officer (DEBLO) in the Office for Civil Rights and Small Business Development to give notification of the bidder's inability to get DBE quotes;
5. Whether the bidder selected portions of the work to be performed by DBEs in order to increase the likelihood of meeting the contract goals. This includes, where appropriate, breaking out contract work items into economically feasible units to facilitate DBE participation, even when the prime contractor might otherwise perform these work items with its own forces;
6. Whether the bidder provided interested DBEs with adequate and timely information about the plans, specifications, and requirements of the contract;
7. Whether the bidder negotiated in good faith with interested DBEs not rejecting them as unqualified without sound reasons based on a thorough investigation of their capabilities. Any rejection should be so noted in writing with a description as to why an agreement could not be reached;
8. Whether quotations were received from interested DBE firms but were rejected as unacceptable without sound reasons why the quotations were considered unacceptable. The fact that the DBE firm's quotation for the work is not the lowest quotation received will not in itself be considered as a sound reason for rejecting the quotation as unacceptable. The fact that the bidder has the ability and/or desire to perform the contract work with its own forces will not be considered a sound reason for rejecting a DBE quote. Nothing in this provision shall be construed to require the bidder to accept unreasonable quotes in order to satisfy DBE goals;
9. Whether the bidder specifically negotiated with subcontractors to assume part of the responsibility to meet the contract DBE goal when the work to be subcontracted includes potential DBE participation;
10. Whether the bidder made any efforts and/or offered assistance to interested DBEs in obtaining the necessary equipment, supplies, materials, insurance and/or bonding to satisfy the work requirements of the bid proposal; and
11. Any other evidence that the bidder submits which may show that the bidder has made reasonable good faith efforts to include DBE participation.

### **FAILURE TO MEET GOOD FAITH REQUIREMENT**

Where the apparent lowest responsive bidder fails to submit sufficient participation by DBE firms to meet the contract goal and upon a determination by the Good Faith Committee based upon the information submitted that the apparent lowest responsive bidder failed to make sufficient reasonable efforts to meet the contract goal, the bidder will be offered the opportunity to meet in person for administrative reconsideration. The bidder will be notified of the Committee's decision within 24 hours of its decision. The bidder will have 24 hours to request reconsideration of the Committee's decision. The reconsideration meeting will be held within two days of the receipt of a request by the bidder for reconsideration.

The request for reconsideration will be heard by the Office of the Secretary. The bidder will have the opportunity to present written documentation or argument concerning the issue of whether it met the goal or made an adequate good faith effort. The bidder will receive a written decision on the reconsideration explaining the basis for the finding that the bidder did or did not meet the goal or made adequate Good Faith efforts to do so.

The result of the reconsideration process is not administratively appealable to the Cabinet or to the United States Department of Transportation.

The Cabinet reserves the right to award the contract to the next lowest responsive bidder or to rebid the contract in the event that the contract is not awarded to the low bidder as the result of a failure to meet the good faith requirement.

### **SANCTIONS FOR FAILURE TO MEET DBE REQUIREMENTS OF THE PROJECT**

Failure by the prime contractor to fulfill the DBE requirements of a project under contract or to demonstrate good faith efforts to meet the goal constitutes a breach of contract. When this occurs, the Cabinet will hold the prime contractor accountable, as would be the case with all other contract provisions. Therefore, the contractor's failure to carry out the DBE contract requirements shall constitute a breach of contract and as such the Cabinet reserves the right to exercise all administrative remedies at its disposal including, but not limited to the following:

- Suspension of Prequalification;
- Disallow credit toward the DBE goal;
- Withholding progress payments;
- Withholding payment to the prime in an amount equal to the unmet portion of the contract goal; and/or
- Termination of the contract.

### **PROMPT PAYMENT**

The prime contractor will be required to pay the DBE and Non-DBE Subcontractors within seven (7) working days after he or she has received payment from the Kentucky Transportation Cabinet for work performed or materials furnished.

### **CONTRACTOR REPORTING**

All contractors must keep detailed records and provide reports to the Cabinet on their progress in meeting the DBE requirement on any highway contract. These records may include, but shall not be limited to payroll, lease agreements, cancelled payroll checks, executed subcontracting agreements, etc. Prime contractors will be required to complete and submit a **signed and notarized** Affidavit of Subcontractor Payment (TC 18-7) and copies of checks for any monies paid to each DBE subcontractor or supplier utilized to meet a DBE goal. These documents must be completed and signed within 7 days of being paid by the Cabinet.

Payment information that needs to be reported includes date the payment is sent to the DBE, check number, Contract ID, amount of payment and the check date. Before Final Payment is made on this contract, the Prime Contractor will certify that all payments were made to the DBE subcontractor and/or DBE suppliers.

\*\*\*\*\* IMPORTANT \*\*\*\*\*

**Please mail the original, signed and completed TC (18-7) Affidavit of Subcontractor Payment form and all copies of checks for payments listed above to the following address:**

Office for Civil Rights and Small Business Development  
6<sup>th</sup> Floor West 200 Mero Street  
Frankfort, KY 40622

The prime contractor should notify the KYTC Office for Civil Rights and Small Business Development seven (7) days prior to DBE contractors commencing work on the project. The contact in this office is Mr. Melvin Bynes. Mr. Bynes' current contact information is email address – [melvin.bynes2@ky.gov](mailto:melvin.bynes2@ky.gov) and the telephone number is (502) 564-3601.

### **DEFAULT OR DECERTIFICATION OF THE DBE**

If the DBE subcontractor or supplier is decertified or defaults in the performance of its work, and the overall goal cannot be credited for the uncompleted work, the prime contractor may utilize a substitute DBE or elect to fulfill the DBE goal with another DBE on a different work item. If after exerting good faith effort in accordance with the Cabinet's Good Faith Effort policies and procedures, the prime contractor is unable to replace the DBE, then the unmet portion of the goal may be waived at the discretion of the Cabinet.

### **PROHIBITION ON TELECOMMUNICATIONS EQUIPMENT OR SERVICES**

In accordance with the FY 2019 National Defense Authorization Act (NDAA), 2 CFR 200.216, and 2 CFR 200.471, Federal agencies are prohibited, after August 13, 2020, from obligating or expending financial assistance to obtain certain telecommunications and video surveillance services and equipment from specific producers. As a result of these regulations, contractors and subcontractors are prohibited, on projects with federal funding participation, from providing telecommunication or video surveillance equipment, services, or systems produced by:

- Huawei Technologies Company or ZTE Corporation (or any subsidiary or affiliate of such entities)
- Hytera Communications Corporation, Hangzhou Hikvision Digital Technology Company, or Dahua Technology Company (or any subsidiary or affiliate of such entities)

**LEGAL REQUIREMENTS AND RESPONSIBILITY TO THE PUBLIC – CARGO  
PREFERENCE ACT (CPA).**

**(REV 12-17-15) (1-16)**

SECTION 7 is expanded by the following new Article:

102.10 **Cargo Preference Act – Use of United States-flag vessels.**

Pursuant to Title 46CFR Part 381, the Contractor agrees

- To utilize privately owned United States-flag commercial vessels to ship at least 50 percent of the gross tonnage (computed separately for dry bulk carriers, dry cargo liners, and tankers) involved, whenever shipping any equipment, material, or commodities pursuant to this contract, to the extent such vessels are available at fair and reasonable rates for United States-flag commercial vessels.
- To furnish within 20 days following the date of loading for shipments originating within the United States or within 30 working days following the date of loading for shipments originating outside the United States, a legible copy of a rated, 'on-board' commercial ocean bill-of-lading in English for each shipment of cargo described in paragraph 1 of this section to both the Contracting Officer (through the prime contractor in the case of subcontractor bills-of-lading) and to the Division of National Cargo, Office of Market Development, Maritime Administration, Washington, DC 20590.
- To insert the substance of the provisions of this clause in all subcontracts issued pursuant to this contract.

### **NATIONAL HIGHWAY**

Be advised this project is on the NATIONAL HIGHWAY SYSTEM.

### **ASPHALT MIXTURE**

Unless otherwise noted, the Department estimates the rate of application for all asphalt mixtures to be 110 lbs/sy per inch of depth.

### **DGA BASE**

Unless otherwise noted, the Department estimates the rate of application for DGA Base to be 115 lbs/sy per inch of depth.

### **DGA BASE FOR SHOULDERS**

Unless otherwise noted, the Department estimates the rate of application for DGA Base for Shoulders to be 115 lbs/sy per inch of depth. The Department will not measure necessary grading and/or shaping of existing shoulders prior to placing of DGA Base, but shall be incidental to the Contract unit price per ton for DGA Base.

Accept payment at the Contract unit price per ton as full compensation for all labor, materials, equipment, and incidentals for grading and/or shaping of existing shoulders and furnishing, placing, and compacting the DGA Base.

### **INCIDENTAL SURFACING**

The Department has included in the quantities of asphalt mixtures established in the proposal estimated quantities required for resurfacing or surfacing mailbox turnouts, farm field entrances, residential and commercial entrances, curve widening, ramp gores and tapers, and road and street approaches, as applicable. Pave these areas to the limits as shown on Standard Drawing RPM-110-06 or as directed by the Engineer. In the event signal detectors are present in the intersecting streets or roads, pave the crossroads to the right of way limit or back of the signal detector, whichever is the farthest back of the mainline. Surface or resurface these areas as directed by the Engineer. The Department will not measure placing and compacting for separate payment but shall be incidental to the Contract unit price for the asphalt mixtures.

### **FUEL AND ASPHALT PAY ADJUSTMENT**

The Department has included the Contract items Asphalt Adjustment and Fuel Adjustment for possible future payments at an established Contract unit price of \$1.00. The Department will calculate actual adjustment quantities after work is completed. If existing Contract amount is insufficient to pay all items on the contract with the adjustments, the Department will establish additional monies with a change order.

### **ASPHALT PAVEMENT RIDE QUALITY CATEGORY A**

The Department will apply Pavement Rideability Requirements on this project in accordance with Section 410, Category A.

### **OPTION A**

Be advised that the Department will accept compaction of asphalt mixtures furnished for driving lanes and ramps, at 1 inch (25mm) or greater, on this project according to OPTION A in accordance with Section 402 and Section 403 of the current Standard Specifications. The Department will require joint cores as described in Section 402.03.02 for surface mixtures only. The Department will accept compaction of all other asphalt mixtures according to OPTION B.



**FAYETTE COUNTY**  
**INTERSTATE 75**  
**MP 97.865 TO MP 107.445**

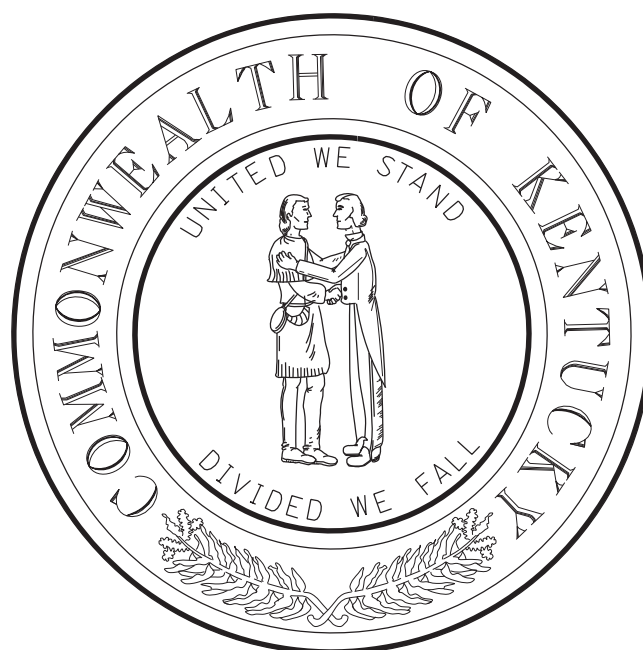
**Construction Numbers**

**NHPP IM 0754(066)**

**FD52 034 0075 097-108**

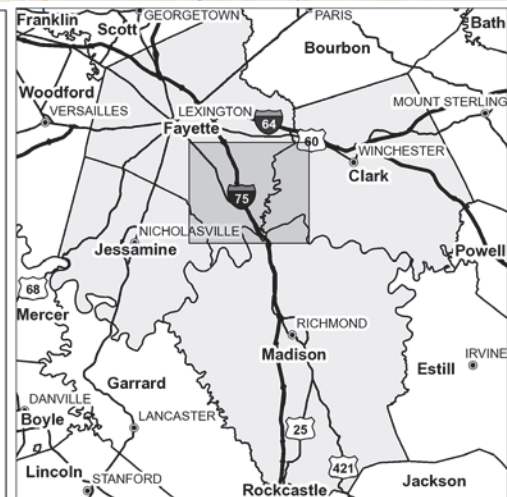
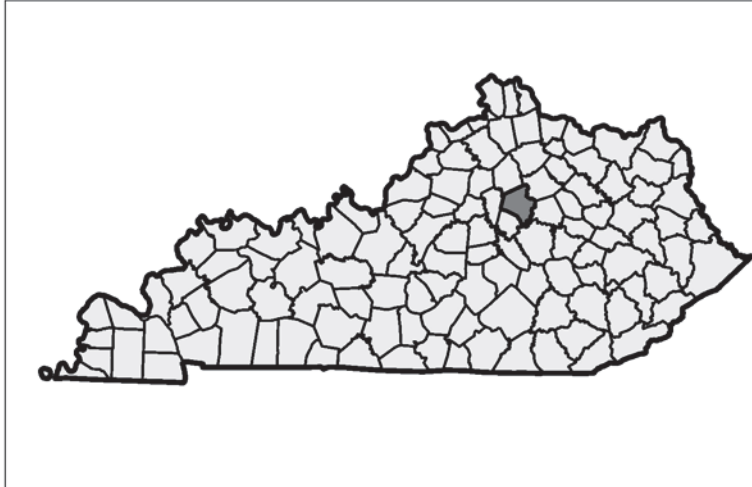
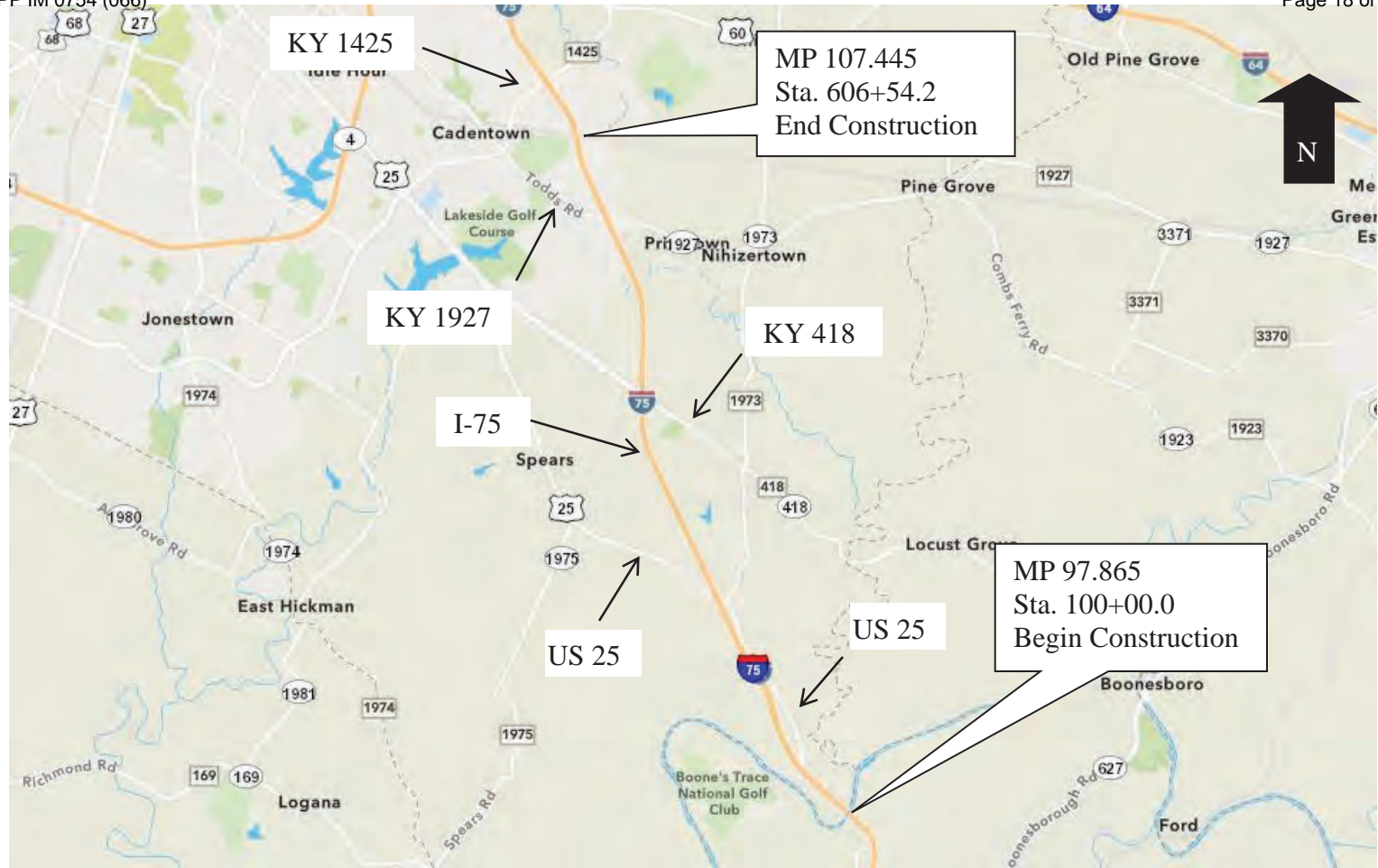
**Item Number: 7-22116.00**

**Prepared For The**  
**Kentucky Transportation Cabinet**



**Prepared By**  
**DLZ Kentucky, Inc.**

1950 Haggard Court  
Lexington, Kentucky 40505  
Ph. 859-299-5226



Not to Scale

Item Number: 7-22116.00

Construction Numbers: NHPP IM 0754(066) & FD52 034 0075 097-108

Letting Date: August 18, 2022

AADT: 71,232

Recommended By: ANDRE JOHANNES Date: \_\_\_\_\_  
Project Manager

Plan Approved By: \_\_\_\_\_ Date: \_\_\_\_\_  
State Highway Engineer

## TABLE OF CONTENTS

Cover Sheet

Layout Sheet

Table of Contents

Applicable Standard Drawings

Typical Sections

General Summary

Pavement Summary

Pavement Areas Summary

Pavement Lane Repair Summary

Pavement Joint Repair Summary

Guardrail Summary

Drainage Summary

Clean Out Perforated Pipe Headwall Summary

Fill Slope Erosion Repair Summary

General Notes

Plan Sheets

Pavement Lane Repair Detail

Pavement Joint Repair Detail

KY 418 Ramp A Edge Drain Plan

Edge Drain Detail

I-75 SB Exit 104 Entrance Ramp Striping

Wrong Way Treatments At Diamond Interchanges Detail

Concrete Slope Protection Repair Detail

Fill Slope Erosion Repair Detail

Signing Quantities And Detail Sheets

Milepost Sign Detail And Summary

Traffic Planning Loops

Traffic Signal Loops

Traffic Control Notes

Maintenance of Traffic Typical Sections

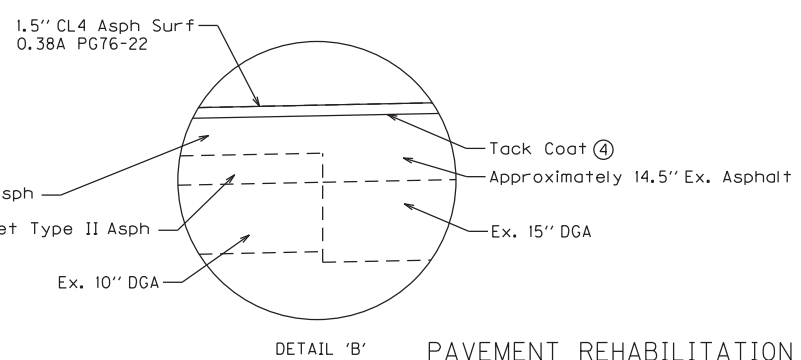
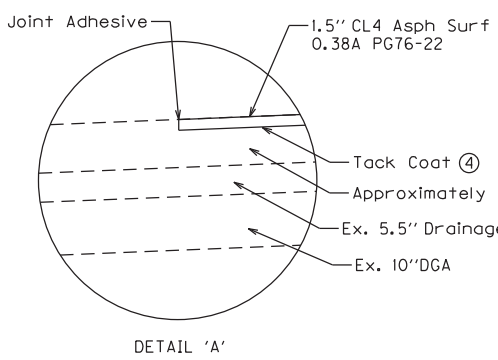
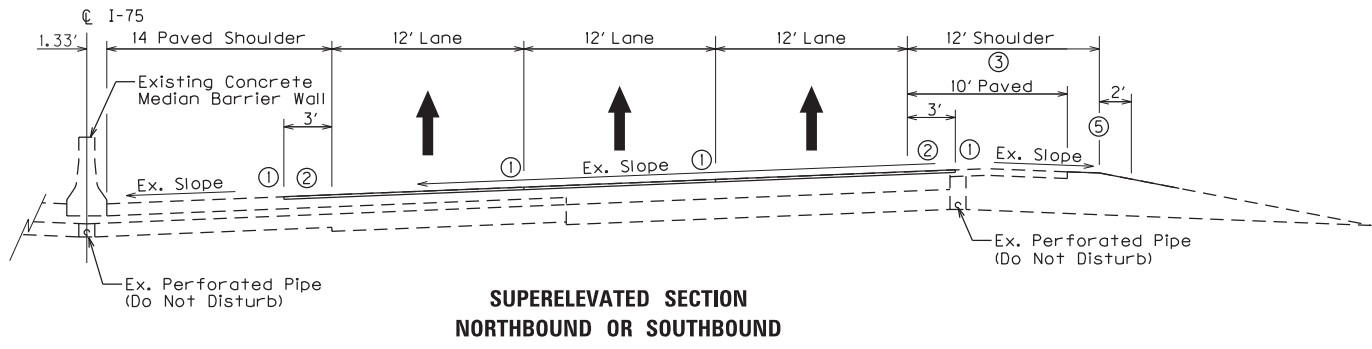
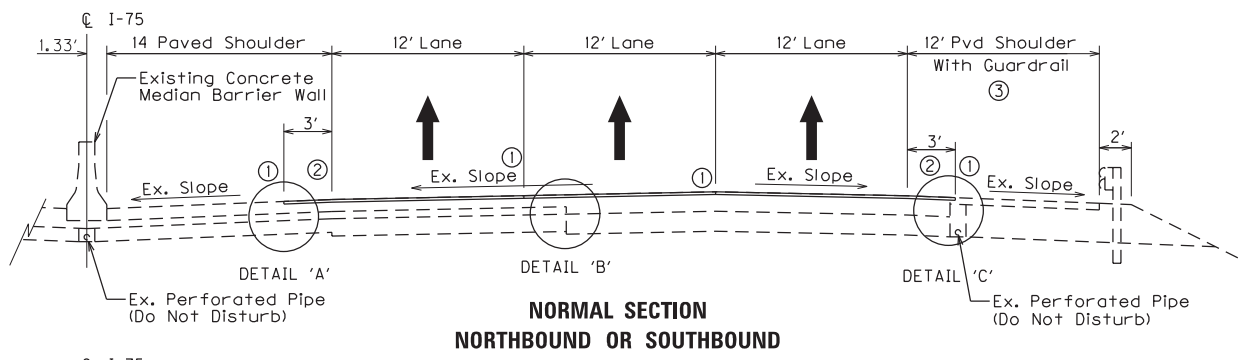
Applicable Special Notes

## REFERENCES

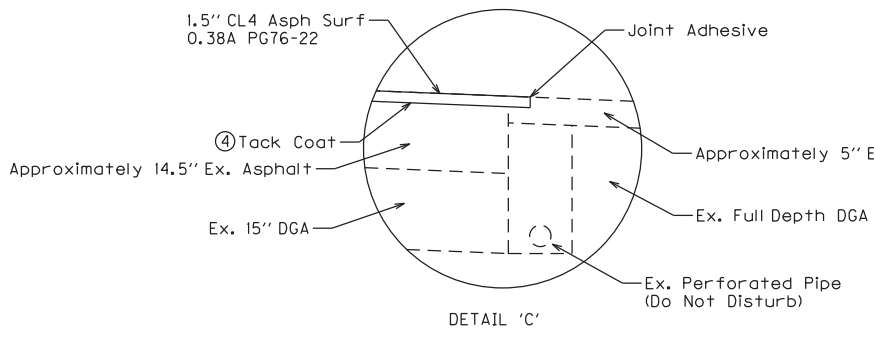
1. Kentucky Transportation Cabinet, Department of Highways, Standard Specifications for Road and Bridge Construction, Edition of 2019
2. FHWA Manual on Uniform Traffic Control Devices (MUTCD) – 2009 Edition w/Revisions
3. Kentucky Department of Highways Standard Drawings, 2020 edition, as applicable:
  - RBI-001-12 Typical Guardrail Installations
  - RBI-002-07 Typical Guardrail Installations
  - RBI-004-06 Installation Of Guardrail End Treatment Type 1
  - RBM-020-09 Delineators For Barrier Wall
  - RBR-001-13 Steel Beam Guardrail (“W” Beam)
  - RBR-005-11 Guardrail Components
  - RBR-010-06 Guardrail Terminal Sections
  - RBR-015-06 Steel Guardrail Posts
  - RBR-018 Guardrail System Transition
  - RBR-020-07 Guardrail End Treatment Type 1
  - RBR-035-12 Guardrail End Treatment Type 4A
  - RBR-055-01 Delineators For Guardrail
  - RDD-021-07 Flume Inlet Type 2
  - RDD-040-05 Channel Lining Class II And III
  - RDI-040-01 Erosion Control Blanket Slope Installation
  - RDI-041-01 Erosion Control Blanket Channel Installation
  - RDP-001-06 Perforated Pipe Types And Cover Heights
  - RDP-006-04 Perforated Pipe Underdrains (Longitudinal And Transverse)
  - RDP-010-09 Perforated Pipe Headwalls
  - RDX-210-03 Temporary Silt Fence
  - RDX-225-01 Silt Trap Type B
  - RDX-230-01 Silt Trap Type C
  - RGX-065-03 Type D Breakaway Sign Support
  - RPM-100-11 Curb And Gutter Curbs And Valley Gutter
  - TPM-170-01 Flexible Delineator Post Arrangements For Horizontal Curves
  - TPM-171-01 Flexible Delineator Post Arrangements For Interchange Ramps And Crossovers
  - TPM-200 Typical Entrance Ramp Markings For Interstates And Parkways
  - TPM-201 Typical Exit Ramp Markings For Interstates And Parkways
  - TPM-204 Typical Markings For Gore Areas
  - TPM-205 Typical Markings For Islands And Medians
  - TPR-115 Shoulder & Edgeline Rumble Strip Placement Details
  - TPR-130 Rumble Strip Details Multi-Lane Roadways And Ramps
  - TTC-115-04 Lane Closure Multi-Lane Highway Case I
  - TTC-120-04 Lane Closure Multi-Lane Highway Case II
  - TTC-125-04 Double Lane Closure
  - TTC-135-03 Shoulder Closure
  - TTD-120-03 Double Fine Signs
  - TTD-125-03 Pavement Condition Warning Signs

- TTD-130 Speed Zone Signing For Work Zones
- TTS-110-02 Mobile Operation For Paint Striping Case III
- TTS-115-02 Mobile Operation For Paint Striping Case IV
- TTS-120-02 Mobile Operation For Durable Striping Case I
- TTS-125-02 Mobile Operation For Durable Striping Case II

# TYPICAL SECTIONS I-75 COMMON MEDIAN STA 100+00.0 TO STA 163+89.3



PAVEMENT REHABILITATION



**DRIVING LANES & 3 FT OF SHOULDERS**

- SURFACE ---
- 1.5" CL4 ASPHALT SURFACE 0.38A PG76-22
  - ASPHALT MATERIAL FOR TACK (4)
  - 1.5" ASPHALT PAVEMENT MILLING & TEXTURING

- ① Place Joint Adhesive Between Driving Lanes And Between Milled And Existing Shoulders.
- ② Construct Edgeline Rumble Strips.
- ③ The Width Of The Existing Paved Shoulder May Vary Slightly.
- ④ Tack Coat Applied At 0.84 LB/SY.

- ⑤ Except Where The Existing Guardrail Is To Remain: Asphalt Seal Coat Required From The Outside Edge Of The Paved Shoulder To A Point 2' Down The Ditch Or Fill Slope (Or As Directed By The Engineer). Several Areas Of The DGA Shoulder Are Significantly Wider Than 2' And Have Eroded. Repairs Are To Be Made With DGA At A Width Directed By The Engineer. Asphalt Seal Coat Is Required For The Entire Width Of The Repaired Area. Total Quantities Are Estimated On The Paving Summary.

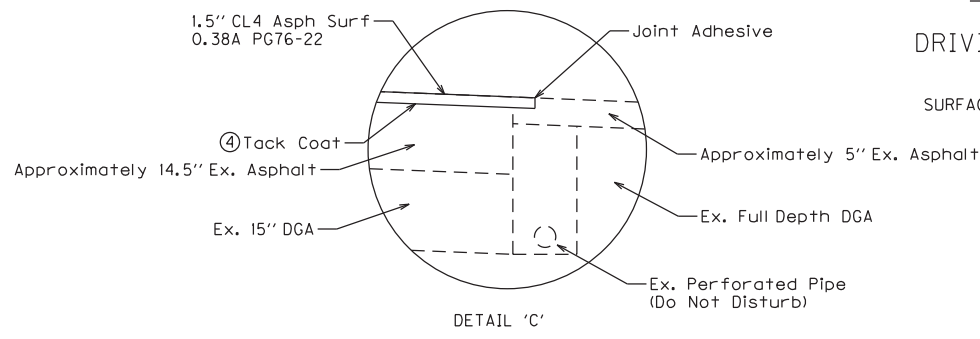
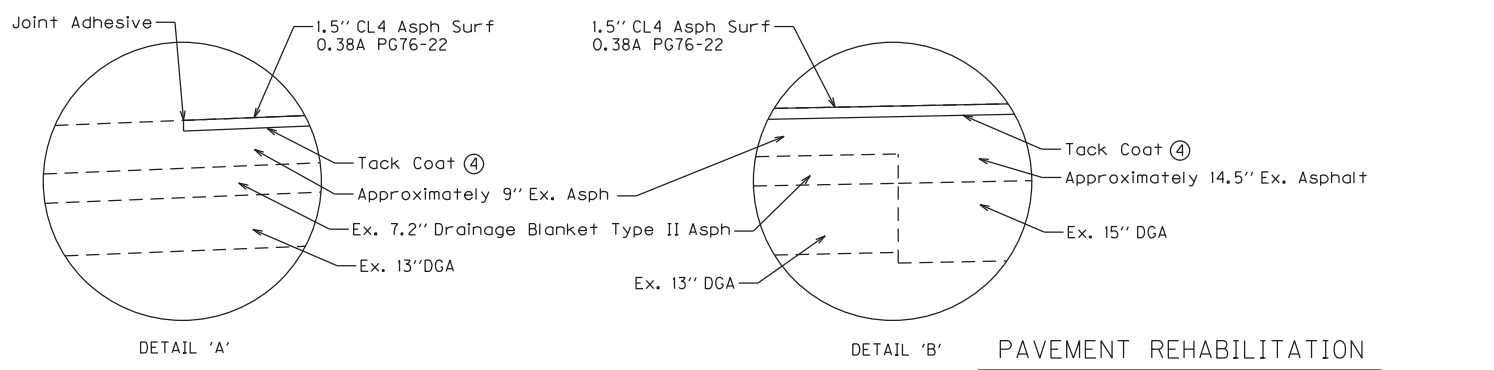
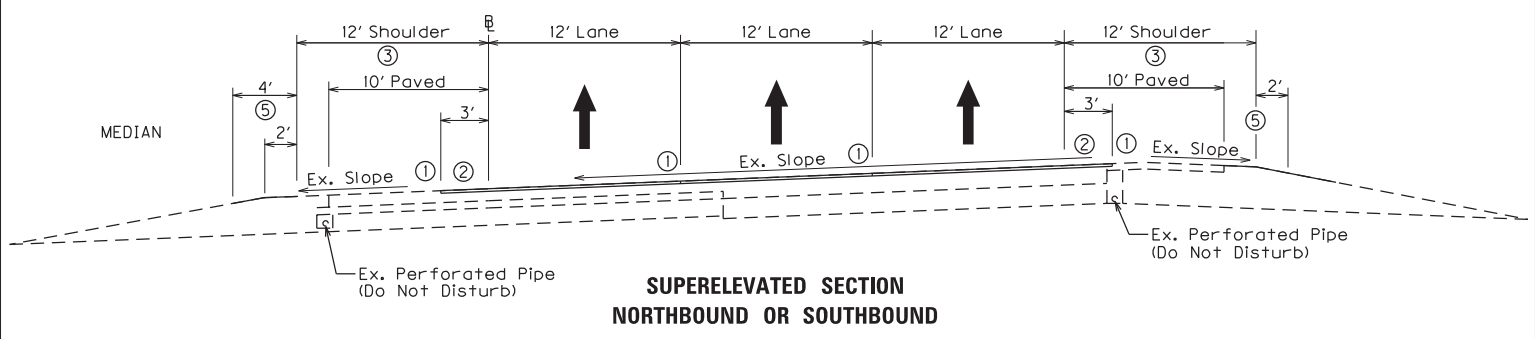
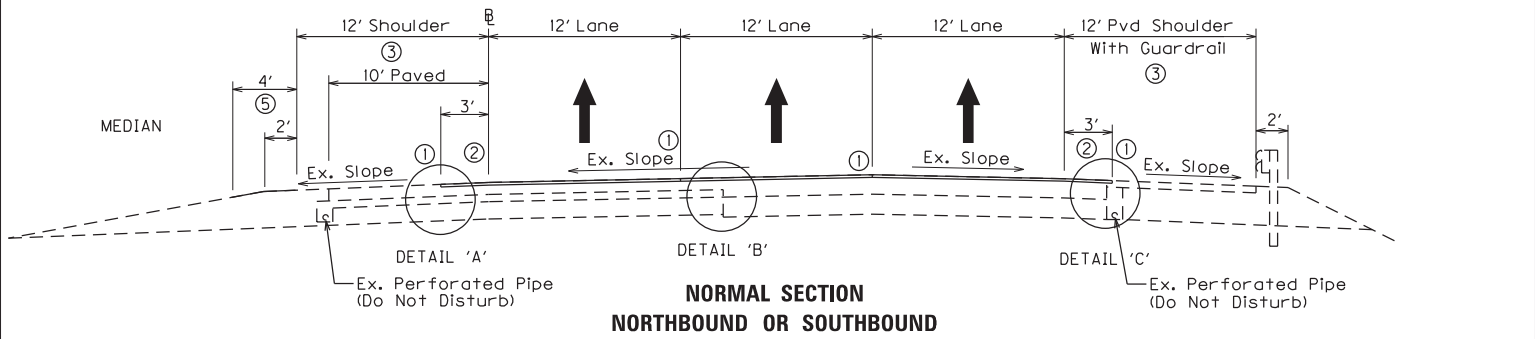
Two (2) Applications Required At The Rate Of:  
2.40 Lbs/SY Item 103 Asphalt Seal Coat  
20 Lbs/SY Item 100 Asphalt Seal Aggregate  
(Size NO. 8 OR 9M).

# TYPICAL SECTIONS

## I-75 BIFURCATED ROADWAY

### NB STA 163 + 89.3 TO STA 230 + 98.4

### SB STA 163 + 89.6 TO STA 230 + 76.4



**DRIVING LANES & 3 FT OF SHOULDERS**

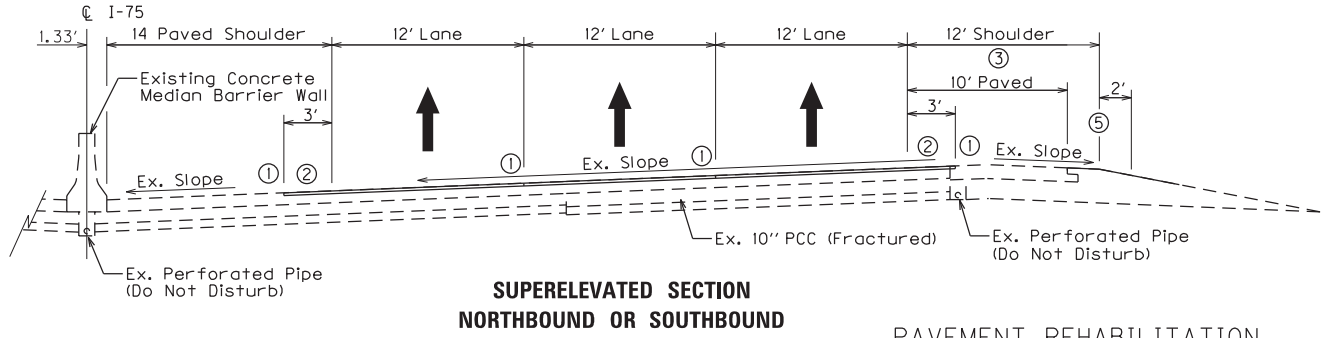
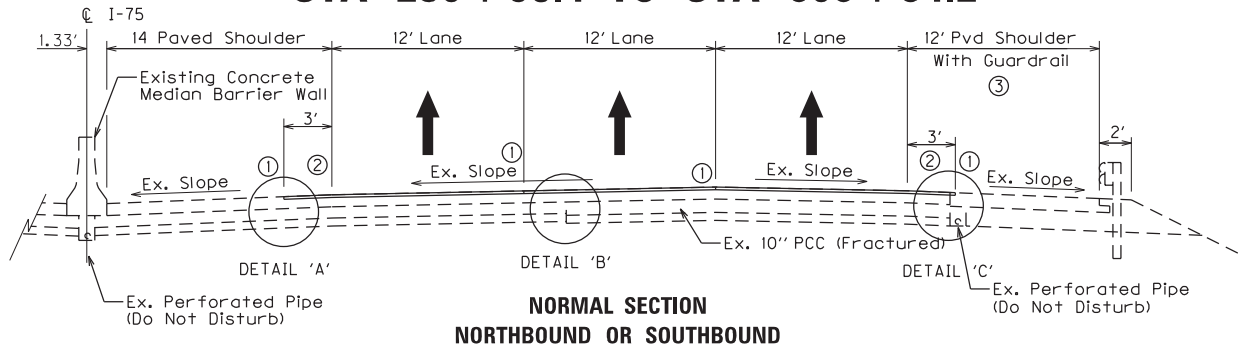
SURFACE --- 1.5" CL4 ASPHALT SURFACE 0.38A PG76-22  
 --- ASPHALT MATERIAL FOR TACK ④  
 --- 1.5" ASPHALT PAVEMENT MILLING & TEXTURING

- ① Place Joint Adhesive Between Driving Lanes And Between Milled And Existing Shoulders.
- ② Construct Edgeline Rumble Strips.
- ③ The Width Of The Existing Paved Shoulder May Vary Slightly.
- ④ Tack Coat Applied At 0.84 LB/SY.
- ⑤ Except Where The Existing Guardrail Is To Remain: Asphalt Seal Coat Required From The Outside Edge Of The Paved Shoulder To A Point 2' Down The Ditch Or Fill Slope (Or As Directed By The Engineer). Several Areas Of The DGA Shoulder Are Significantly Wider Than 2' And Have Eroded. Repairs Are To Be Made With DGA At A Width Directed By The Engineer. Asphalt Seal Coat Is Required For The Entire Width Of The Repaired Area. Total Quantities Are Estimated On The Paving Summary.

Two (2) Applications Required At The Rate Of:  
 2.40 Lbs/SY Item 103 Asphalt Seal Coat  
 20 Lbs/SY Item 100 Asphalt Seal Aggregate  
 (Size NO. 8 OR 9M).

NOT TO SCALE

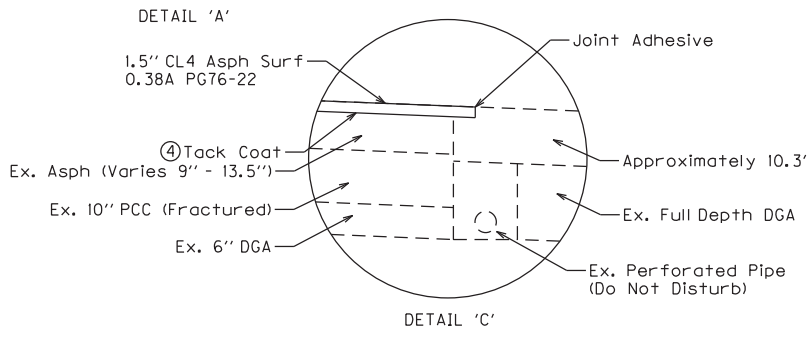
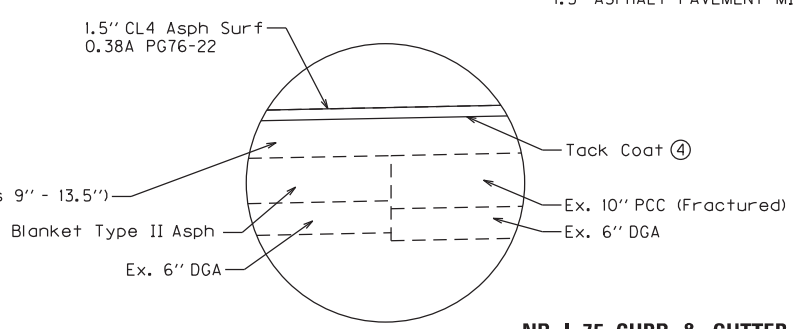
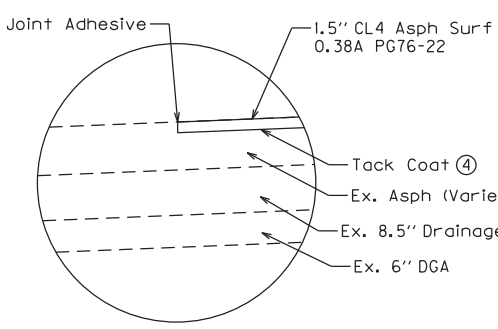
# TYPICAL SECTIONS I-75 COMMON MEDIAN STA 230 + 98.4 TO STA 606 + 54.2



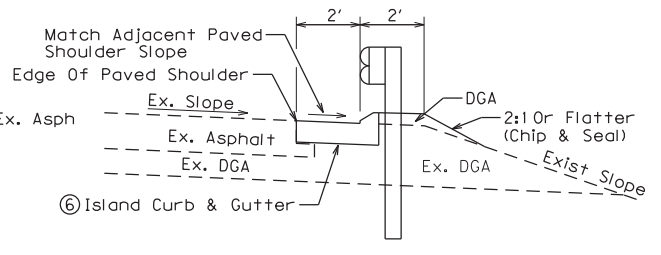
PAVEMENT REHABILITATION

DRIVING LANES & 3 FT OF SHOULDERS

SURFACE --- 1.5" CL4 ASPHALT SURFACE 0.38A PG76-22  
ASPHALT MATERIAL FOR TACK ④  
1.5" ASPHALT PAVEMENT MILLING & TEXTURING



**NB I-75 CURB & GUTTER**  
(Rt Sta 430+18 to Sta 430+73)



- ① Place Joint Adhesive Between Driving Lanes And Between Milled And Existing Shoulders.
- ② Construct Edgeline Rumble Strips.
- ③ The Width Of The Existing Paved Shoulder May Vary Slightly.
- ④ Tack Coat Applied At 0.84 LB/SY.

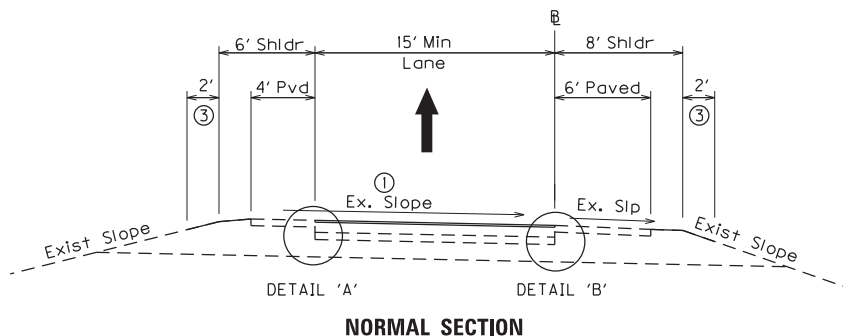
- ⑤ Except Where The Existing Guardrail Is To Remain: Asphalt Seal Coat Required From The Outside Edge Of The Paved Shoulder To A Point 2' Down The Ditch Or Fill Slope (Or As Directed By The Engineer). Several Areas Of The DGA Shoulder Are Significantly Wider Than 2' And Have Eroded. Repairs Are To Be Made With DGA At A Width Directed By The Engineer. Asphalt Seal Coat Is Required For The Entire Width Of The Repaired Area. Total Quantities Are Estimated On The Paving Summary.
- Two (2) Applications Required At The Rate Of:  
2.40 Lbs/SY Item 103 Asphalt Seal Coat  
20 Lbs/SY Item 100 Asphalt Seal Aggregate (Size NO. 8 OR 9M).

- ⑥ See Plan Sheet No. 18 For Further Information. Any Excavation Required Will Be Considered Incidental To Installation Of Curb & Gutter.

NOT TO SCALE



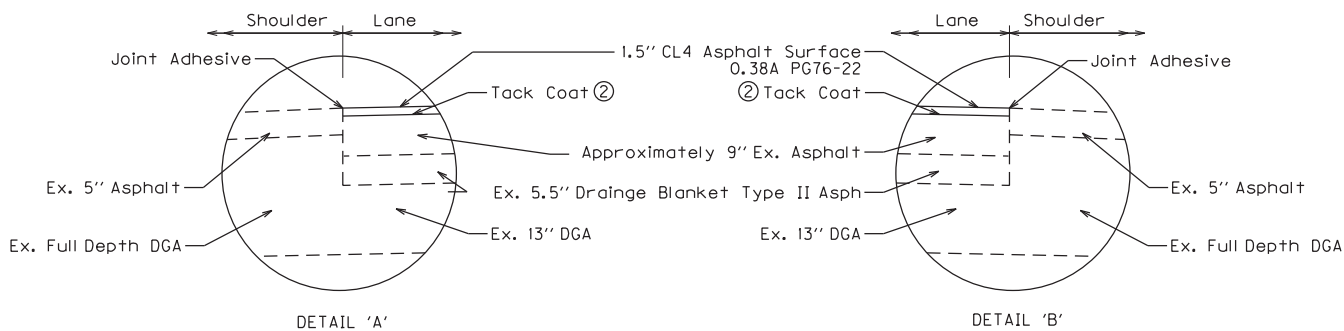
# TYPICAL SECTIONS US 25 INTERCHANGE RAMPS



## RAMPS PAVEMENT REHABILITATION

### DRIVING LANES

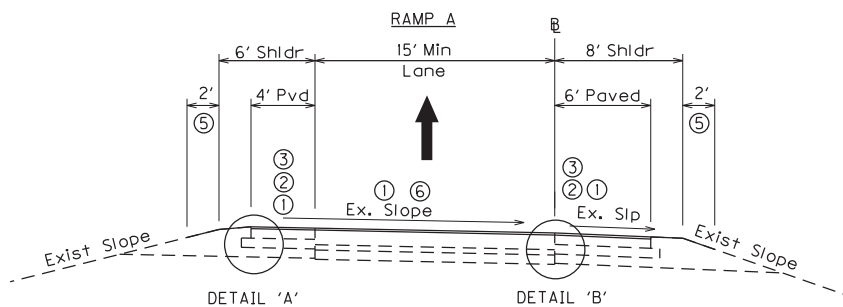
SURFACE --- [ 1.5" ASPHALT MILLING & TEXTURING  
1.5" CL4 ASPHALT SURFACE 0.38A PG76-22



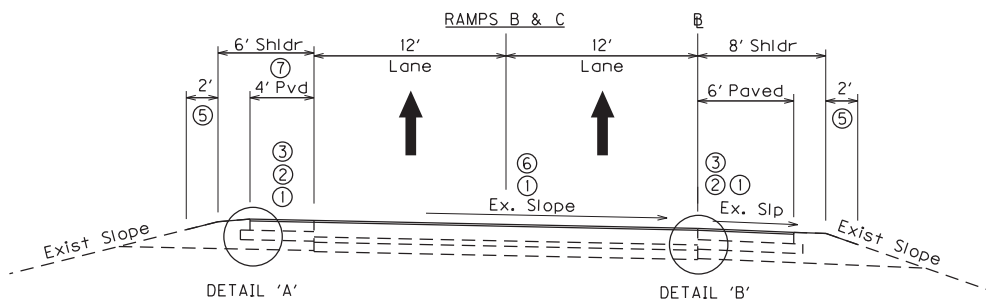
- ① Match Existing Cross Slope.
- ② Tack Coat Applied At 0.84 LB/SY.
- ③ Asphalt Seal Coat Required From The Edge Of The Outside Paved Shoulder To A Point 2' Down The Ditch Or Fill Slope. Not Required Where Existing Guardrail Is To Remain.

Two (2) Applications Required At The Rate Of:  
2.40 Lbs/SY Item 103 Asphalt Seal Coat  
20 Lbs/SY Item 100 Asphalt Seal Aggregate  
(Size NO. 8 OR 9M).

# TYPICAL SECTIONS KY 418 INTERCHANGE RAMPS A, B, AND C



**NORMAL SECTION**

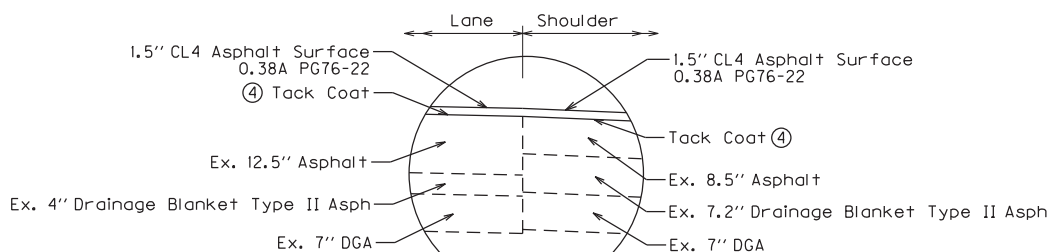


**NORMAL SECTION**

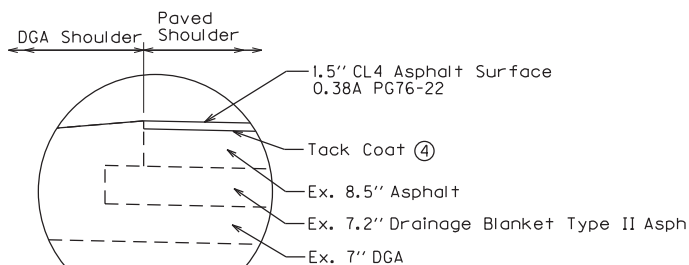
## RAMPS PAVEMENT REHABILITATION

### DRIVING LANES AND SHOULDERS

SURFACE --- [ 1.5" ASPHALT MILLING & TEXTURING  
1.5" CL4 ASPHALT SURFACE 0.38A PG76-22



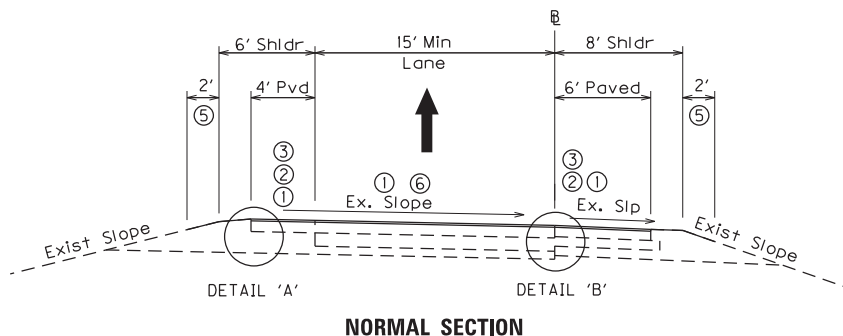
DETAIL 'B'



DETAIL 'A'

- ① Match Existing Cross Slope.
- ② Asphalt Shoulder To Be Placed Concurrently With Driving Lane.
- ③ Construct Edgeline Rumble Strips.
- ④ Tack Coat Applied At 0.84 LB/SY.
- ⑤ Asphalt Seal Coat Required From The Edge Of The Outside Paved Shoulder To A Point 2' Down The Ditch Or Fill Slope. Not Required Where Existing Guardrail Is To Remain.  
  
Two (2) Applications Required At The Rate Of:  
2.40 Lbs/SY Item 103 Asphalt Seal Coat  
20 Lbs/SY Item 100 Asphalt Seal Aggregate (Size NO. 8 OR 9M).
- ⑥ Place Joint Adhesive In Joint Between Paver Passes Near Center Of Ramp.
- ⑦ 8' Shoulder (6' Paved) For Ramp C

# TYPICAL SECTIONS KY 418 INTERCHANGE RAMP D

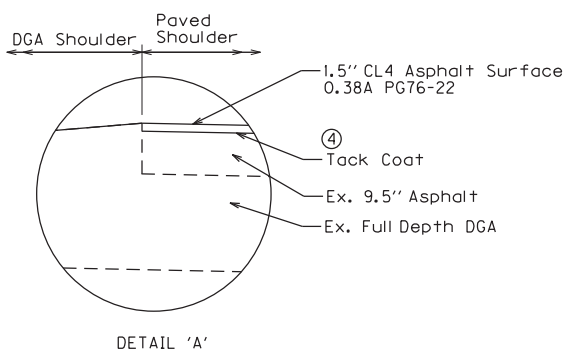


**NORMAL SECTION**

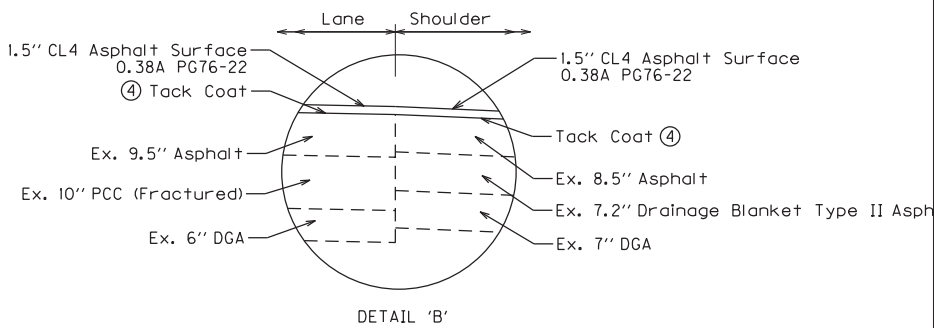
## RAMPS PAVEMENT REHABILITATION

### DRIVING LANES AND SHOULDERS

SURFACE --- [ 1.5" ASPHALT MILLING & TEXTURING  
1.5" CL4 ASPHALT SURFACE 0.38A PG76-22



DETAIL 'A'



DETAIL 'B'

- ① Match Existing Cross Slope.
- ② Asphalt Shoulder To Be Placed Concurrently With Driving Lane.
- ③ Construct Edgeline Rumble Strips.
- ④ Tack Coat Applied At 0.84 LB/SY.
- ⑤ Asphalt Seal Coat Required From The Edge Of The Outside Paved Shoulder To A Point 2' Down The Ditch Or Fill Slope. Not Required Where Existing Guardrail Is To Remain.

Two (2) Applications Required At The Rate Of:  
2.40 Lbs/SY Item 103 Asphalt Seal Coat  
20 Lbs/SY Item 100 Asphalt Seal Aggregate (Size NO. 8 OR 9M).

- ⑥ Place Joint Adhesive In Joint Between Paver Passes Near Center Of Ramp.

I-75  
PAVEMENT REHABILITATION PROJECT  
FAYETTE COUNTY  
ITEM NO. 7-22116.00

CODE	ITEM	UNIT	I-75	US 25 INTERCHANGE						KY 418 INTERCHANGE						TOTAL	NOTES
				RAMP A	RAMP B	RAMP C	RAMP D	RAMP A	RAMP B	RAMP C	RAMP D						
78	Crushed Aggregate Size No. 2	Ton	153												154	(8)	
1000	Perforated Pipe-4 In	LF													90	(10)	
1020	Perf Pipe Headwall TY 1-4 In	Each													1	(10)	
1691	Flume Inlet Type 2	Each	1												1	(12)	
1825	Island Curb And Gutter	LF	55												55	(11)	
1986	Delineator For Barrier Wall-B/Y	Each	100												100	(7)	
2220	Flowable Fill	CY	35												35	(9)	
2483	Channel Lining Class II	Ton	370												370	(1)	
2484	Channel Lining Class III	Ton	66												66	(12)	
2562	Temporary Signs	SF													1,500		
2568	Mobilization	LS													1		
2569	Demobilization	LS													1		
2650	Maintain & Control Traffic	LS													1		
2671	Portable Changeable Message Sign	Each													6		
2704	Silt Trap Type B	Each													10	(4)	
2705	Silt Trap Type C	Each													10	(4)	
2726	Staking	LS													1		
2775	Arrow Panel	Each													4		
3383	PVC Pipe-4 In	LF													40		
5950	Erosion Control Blanket	SY													40	(10)	
6401	Flexible Delineator Post - M/W	Each	421												1,000	(4)	
6404	Flexible Delineator Post - M/Y	Each													771	(3)	
6412	Steel Post Mile Markers	Each	9												141	(3)	
6511	Pave Striping-Temp Paint-6 In	Lin Ft													9	(13)	
6542	Pave Striping-Thermo-6 In W	Lin Ft	152367												266,000		
6543	Pave Striping-Thermo-6 In Y	Lin Ft	107651												163,087		
6546	Pave Striping-Thermo-12 In W	Lin Ft	8467												114,894		
6547	Pave Striping-Thermo-12 In Y	Lin Ft													9,035		
6549	Pave Striping-Temp Rem Tape-B	Lin Ft													108	(16)	
6550	Pave Striping-Temp Rem Tape-W	Lin Ft													5,000		
6551	Pave Striping-Temp Rem Tape-Y	Lin Ft													2,500		
6556	Pave Striping-Dur TY 1-6 In W	Lin Ft	483												2,500		
6557	Pave Striping-Dur TY 1-6 In Y	Lin Ft	322												483	(2)	
6568	Pave Marking-Thermo Stop Bar-24 In	Lin Ft													322	(2)	
6569	Pave Marking-Thermo Cross-Hatch	SF													14		
6573	Pave Marking-Thermo Str Arrow	Each													119		
6574	Pave Marking-Thermo Curv Arrow	Each													978	(14)	
6578	Pave Marking-Thermo Merge Arrow	Each	6												2		
6613	Inlaid Pavement Marker-B W/R	Each	3046												9	(17)	
6614	Inlaid Pavement Marker-B Y/R	Each													9		
10020NS	Fuel Adjustment	Doll													3,078		
10030NS	Asphalt Adjustment	Doll													93		
21417ES717	Pave Mark Thermo Cone Cap-Solid Yellow	SF													51,346		
24679ED	Pave Marking Thermo Chevron	SF													101,518		
24683ED	Pave Marking-Thermo Dotted Lane Extension	Lin Ft	615												44	(16)	
24689EC	Pave Marking-Thermo-Wrong Way Arrow	Hour													689	(14)	
25075EC	Queue Protection Vehicle	Month													615	(15)	
25117EC	Furnish Queue Protection Vehicles	Month													6	(18)	
26136EC	Portable Queue Warning Alert System	Month													400	(5)	
26137EC	Queue Warning PCMS	Month													8	(6)	
26138EC	Queue Warning Portable Radar Sensors	Month													48	(6)	

GENERAL SUMMARY

I-75  
PAVEMENT REHABILITATION PROJECT  
FAYETTE COUNTY  
ITEM NO. 7-22116.00

NOTES:

- (1) Includes 320 tons for the 2' FB ditch SB I-75 Sta 220+95 to Sta 225+42. Any excavation required will be considered incidental to the Channel Lining Class II. Quantity includes 50 tons to be used as directed by the Engineer for filling in deeper eroded slope areas (see the Fill Slope Erosion Repair Summary).
- (2) For striping the bridge decks of the twin bridges at the end of the project (Bridge No. 034B00149L&R).
- (3) The Engineer may elect to only replace damaged or missing flexible delineators.
- (4) Use as directed by the Engineer.
- (5) See the Special Note for Traffic Queue Protection Vehicle.
- (6) See the Special Note for Portable Queue Warning Alert System.
- (7) To replace missing or damaged delineators on the concrete median barrier wall.
- (8) 106 tons carried forward from the Fill Slope Erosion Repair Summary and 47 tons carried forward from the Concrete Slope Protection Repair Detail sheet, and 1 ton carried forward from the Edge Drain And PVC Pipe Outlet Details sheet.
- (9) Quantity carried forward from the Concrete Slope Protection Repair Detail sheet.
- (10) See the KY 418 Ramp A Edge Drain Plan and the Edge Drain and PVC Pipe Outlet Details sheet.
- (11) Rt NB I-75 Sta 430+18 to Sta 430+73.
- (12) Rt NB I-75 Sta 430+90.
- (13) See the Milepost Sign Detail And Summary sheet.
- (14) For replacement of existing chevrons and cross-hatching. See Std. DWG. Nos. TPM-204 & TPM-205
- (15) See Std. DWG. No. TPM-200
- (16) Left radius between US 25 Ramps A & B at their intersection with US 25.
- (17) Includes 6 Lane Use Arrows to replace existing arrows on NB I-75 at exit 104 per Std. DWG. No. TMP-202. Includes 3 Lane Reduction Arrows on the southbound entrance ramp to I-75 at exit 104 as shown in the MUTCD.
- (18) See the 'Wrong Way Treatments At Diamond Interchanges Detail' sheet.

Striping/Marking changes are noted on the plan sheets or details sheets and the quantities included in the totals on the General Summary. Match existing for all other striping/markings.

See the Signing Plans for signing quantities and details.  
See the Traffic Loops sections For Traffic Loops quantities

**I-75  
PAVEMENT REHABILITATION PROJECT  
FAYETTE COUNTY  
ITEM NO. 7-22116.00**

ITEM CODE		ITEM	UNIT	PAVEMENT SUMMARY											
				I-75		US 25 INTERCHANGE			KY 418 INTERCHANGE					TOTAL	
				NORTHBOUND	SOUTHBOUND	RAMP A	RAMP B	RAMP C	RAMP D	RAMP A	RAMP B	RAMP C	RAMP D		
1		DENSE GRADED AGGREGATE	(7)	TON	3,076	2,859	119	89	156	166	166	118	201	153	7 10
100		ASPHALT SEAL AGGREGATE	(1) (9)	TON	357	331	14	10	18	19	19	14	23	18	82
103		ASPHALT SEAL COAT	(2)	TON	43	40	2	1	2	2	2	2	3	2	
194		LEVELING & WEDGING PG76-22	(3) (10)	TON											6 407
342		CL4 ASPH SURF 0.38A PG76-22	(3)	TON	20,285	20,402	141	100	130	162	358	301	509	327	42 715
356		ASPHALT MATERIAL FOR TACK	(5)	TON	103.3	103.9	0.7	0.5	0.7	0.8	1.8	1.5	2.6	1.7	217.5
2676		MOBIL ATION FOR MILLING & TE TURING		LS											1
2677		ASPHALT PAVEMENT MILLING & TE TURING	(3) (6)	TON	20,285	20,402	141	100	130	162	358	301	509	327	42 715
2697		EDGE LINE RUMBLE STRIPS		LF	100,986	100,942					2,168	1,538	2,310	2,000	20 44
20071EC		OINT ADHESIVE	(4)	LF	207,235	209,027	841	580	690	1,082	1,588	1,169	1,863	1,635	425 710
24891EC		PAVE MOUNT INFRARED TEMP EQUIPMENT	(8)	SF	2,212,920	2,225,673									4 4 8 5

**NOTES:**

- (1) Estimated at 20 pounds per square yard per application with two applications required.
- (2) Estimated at 2.4 pounds per square yard per application with two applications required.
- (3) Estimated at 110 pounds per square yard per inch depth.
- (4) See Special Note For Longitudinal Pavement Joint Adhesive.
- (5) Estimated at 0.84 pounds per square yard.
- (6) The Contractor shall retain all millings from the project.
- (7) Estimated at 115 pounds per square yard per inch depth or 2.07 tons per cubic yard.
- (8) See the Special Note for Paver Mounted Temperature Profiles.
- (9) The Asphalt Seal Aggregate Used On This Project Shall Be 8 Or 9M Aggregate Meeting The Additional Requirements For Seal Aggregates In Section 805 Of The Kentucky Standard Specifications for Road and Bridge Construction.
- (10) To be used as directed by the Engineer for correction of pavement irregularities.

**I-75  
PAVEMENT REHABILITATION PROJECT  
FAYETTE COUNTY  
ITEM NO. 7-22116.00**

PAVEMENT AREAS												
ITEM	I-75		US 25 INTERCHANGE				KY 418 INTERCHANGE				TOTAL	
	NORTHBOUND	SOUTHBOUND	RAMP A	RAMP B	RAMP C	RAMP D	RAMPA	RAMP B	RAMP C	RAMP D		
SQUARE YARDS												
1.5 CL4 ASPH SURF 0.38A PG76-22	245,880	247,297	1,714	1,213	1,576	1,967	4,337	3,649	6,172	3,965	517,770	
1.5 ASPHALT PAVEMENT MILLING & TE TURING	245,880	247,297	1,714	1,213	1,576	1,967	4,337	3,649	6,172	3,965	517,770	
ASPHALT MATERIAL FOR TACK	245,880	247,297	1,714	1,213	1,576	1,967	4,337	3,649	6,172	3,965	517,770	
DGA SHOULDER REFILL (3 ESTIMATE DEPTH)	17,829	16,572	689	516	903	962	964	684	1,167	889	41,175	
ASPHALT SEAL AGGREGATE	35,658	33,144	1,378	1,032	1,806	1,924	1,928	1,368	2,334	1,778	82,50	
ASPHALT SEAL COAT	35,658	33,144	1,378	1,032	1,806	1,924	1,928	1,368	2,334	1,778	82,50	

- (1) Area for two applications shown.
- (2) Estimated at 4' width, but includes quantity for existing areas of wider DGA shoulders.

**I-75  
PAVEMENT REHABILITATION PROJECT  
FAYETTE COUNTY  
ITEM NO. 7-22116.00**

PAVEMENT LANE REPAIR SUMMARY						
LOCATION		REPAIR LENGTH	LANE & WIDTH			ITEM
BEGIN	END		INSIDE	CENTER	OUTSIDE	20757ED
(STA)		(LIN FT)			(SQ YD)	
<b>SOUTHBOUND I-75</b>						
285+38.8	285+81.3	42.5		12		56.7
285+44.9	285+52.9	8.0			12	10.7
294+13.8	294+23.0	9.2		12	12	24.5
296+90.1	297+03.1	13.0	12			17.3
301+36.0	301+46.3	10.3		12	12	27.5
308+59.4	308+68.7	9.3		12	12	24.8
332+56.1	332+94.5	38.4		12		51.2
333+65.1	333+74.4	9.3		12	12	24.8
343+95.9	344+04.6	8.7		12	12	23.2
345+60.5	345+74.9	14.4			12	19.2
371+22.8	371+68.8	46.0		12		61.3
398+48.1	398+74.9	26.8		12		35.7
428+00.8	428+12.5	11.7		12	12	31.2
451+62.2	451+76.7	14.5		12		19.3
457+54.4	457+92.7	38.3		12		51.1
459+58.0	459+71.9	13.9		12	12	37.1
472+15.7	473+25.7	110.0		12		146.7
473+83.9	473+92.8	8.9		12	12	23.7
475+11.1	475+52.0	40.9		12		54.5
476+66.9	477+37.8	70.9		12		94.5
478+67.3	481+37.2	269.9		12		359.9
482+64.5	482+81.8	17.3		12		23.1
484+72.2	485+15.8	43.6		12		58.1
507+78.3	507+99.8	21.5			12	28.7
515+54.0	515+96.0	42.0			12	56.0
523+47.0	523+64.3	17.3			12	23.1
547+98.8	548+38.6	39.8			12	53.1
<b>TOTAL</b>						<b>1737.0</b>

Total includes an additional 300 SY to be used as directed by the Engineer.  
See the Pavement Lane Repair Detail sheet.



**I-75  
PAVEMENT REHABILITATION PROJECT  
FAYETTE COUNTY  
ITEM NO. 7-22116.00**

PAVEMENT JOINT REPAIR SUMMARY							
LOCATION		REPAIR LENGTH	JOINT LOCATION			REPAIR IDTH	ITEM
BEGIN	END		BET EEN INSIDE SHOULDER INSIDE LANE	BET EEN INSIDE LANE CENTER LANE	BET EEN CENTER LANE OUTSIDE LANE	BET EEN OUTSIDE LANE OUTSIDE SHOULDER	20757ED
(STA)			(LIN FT)				(SQ YD)
<b>SOUTHBOUND I-75</b>							
283+89.2	284+78.8	89.6		4			39.8
314+39.5	316+20.2	180.7		4			80.3
338+98.1	340+00.9	102.8		4			45.7
344+04.6	348+68.3	463.7		4			206.1
349+81.3	350+25.9	44.6		4			19.8
350+95.0	352+68.3	173.3		4			77.0
359+68.6	361+42.9	174.3		4			77.5
371+68.8	376+15.8	447.0		4			198.7
378+02.6	380+00.1	197.5		4			87.8
382+67.9	383+71.6	103.7		4			46.1
390+49.0	392+59.6	210.6		4			93.6
394+76.6	394+90.3	13.7		4			6.1
396+99.3	397+29.2	29.9		4			13.3
401+31.7	401+43.3	11.6		4			5.2
401+90.8	402+06.6	15.8		4			7.0
402+71.7	402+84.4	12.7			4		5.6
425+04.6	425+19.9	15.3		4			6.8
437+05.1	438+93.3	188.2		4			83.6
459+97.8	460+25.9	28.1			4		12.5
464+63.8	466+91.4	227.6		4			101.2
467+96.2	469+01.5	105.3		4			46.8
473+69.7	474+65.2	95.5		4			42.4
485+80.4	486+00.6	20.2		4			9.0
487+27.5	487+71.2	43.7		4			19.4
488+59.4	488+73.6	14.2		4			6.3
503+70.5	504+71.4	100.9			4		44.8
528+81.8	528+95.7	13.9			4		6.2

**I-75  
PAVEMENT REHABILITATION PROJECT  
FAYETTE COUNTY  
ITEM NO. 7-22116.00**

PAVEMENT JOINT REPAIR SUMMARY							
LOCATION		REPAIR LENGTH	JOINT LOCATION			REPAIR IDTH	ITEM
BEGIN	END		BET EEN INSIDE SHOULDER INSIDE LANE	BET EEN INSIDE LANE CENTER LANE	BET EEN CENTER LANE OUTSIDE LANE	BET EEN OUTSIDE LANE OUTSIDE SHOULDER	20757ED
(STA)		(LIN FT)					(SQ YD)
557+98.1	558+08.9	10.8			4		4.8
577+78.8	577+96.7	17.9		4			8.0
579+52.9	580+59.0	106.1			4		47.2
588+38.7	588+55.6	16.9			4		7.5
592+02.1	593+32.7	130.6			4		58.0
594+68.5	594+99.7	31.2			4		13.9
596+48.9	596+81.6	32.7			4		14.5
<b>TOTAL</b>							<b>1842.5</b>

Total includes an additional 300 SY to be used as directed by the Engineer.

See the Pavement Joint Repair Detail sheet.

**I-75  
PAVEMENT REHABILITATION PROJECT  
FAYETTE COUNTY  
ITEM NO. 7-22116.00**

<b>GUARDRAIL SUMMARY</b>									
<b>LOCATION</b>				<b>(1) ITEM</b>					
				<b>2 81</b>	<b>21802EN</b>	<b>2 67</b>	<b>2 1</b>	<b>1 82</b>	
				<b>REMOVE GUARDRAIL</b>	<b>G R STEEL BEAM-S FACE 7 FT POST</b>	<b>END TREATMENT</b>		<b>DELINEATOR MONO DIR.</b>	
<b>(2)</b>						<b>1</b>	<b>4A</b>		
<b>STATIONS</b>		<b>LOC.</b>		<b>LIN FT</b>		<b>EACH</b>			
<b>NORTHBOUND I-75</b>									
156+00.1	To	156+50.1	Rt		50.0	50.0			1
239+69.0	To	239+94.0	Rt		25.0	25.0			1
274+98.0	To	275+48.0	Rt		50.0		1		1
276+86.0	To	276+98.5	Rt		12.5	12.5			1
313+40.0	To	313+52.5	Rt		12.5	12.5			1
317+20.0	To	317+32.5	Rt		12.5	12.5			1
317+83.0	To	318+08.0	Rt		25.0	25.0			1
364+62.5	To	364+87.5	Rt		25.0	25.0			1
367+70.0	To	367+82.5	Rt		12.5	12.5			1
368+63.1	To	368+75.6	Rt		12.5	12.5			1
428+93.4	To	429+18.4	Rt		25.0	25.0			1
430+17.5	To	431+05.0	Rt		87.5	87.5			1
540+98.0	To	541+48.0	Rt		50.0	12.5		1	1
593+93.5	To	594+43.5	Rt		50.0	50.0			1
<b>TOTAL NORTHBOUND I-75</b>					<b>450.0</b>	<b>362.5</b>	<b>1</b>	<b>1</b>	<b>14</b>
<b>SOUTHBOUND I-75</b>									
135+46.0	To	135+83.5	Rt		37.5			1	1
159+92.5	To	160+17.5	Rt		25.0	25.0			1
250+08.6	To	250+33.6	Rt		25.0	25.0			1
282+97.3	To	283+47.3	Rt		50.0		1		1
430+16.0	To	430+66.0	Rt		50.0	50.0			1
548+22.4	To	548+47.4	Rt		25.0	25.0			1
<b>TOTAL SOUTHBOUND I-75</b>					<b>212.5</b>	<b>125.0</b>	<b>1</b>	<b>1</b>	<b>6</b>
<b>RAMP D US 25</b>									
37+35.3	To	46+94.3	Rt		946.0	912.5	1		20
<b>RAMP D KY 418</b>									
86+13.3	To	86+63.3	Lt		50.0		1		
<b>TOTAL</b>					<b>1658.5</b>	<b>1400.0</b>	<b>4</b>	<b>2</b>	<b>40</b>

(1) Includes removal of guardrail end treatments. Salvage existing guardrail per the Standard Specifications, current edition, Section 719.03.07. The Guardrail Delivery Verification Sheet must be completed at the job site and provided to the Central Sign Shop and Recycle Center (formerly the Baily Bridge Yard) representative when the delivery is made. All wood posts shall become property of the contractor to be disposed of off site.

(2) Relative to the direction of travel.

**I-75  
PAVEMENT REHABILITATION PROJECT  
FAYETTE COUNTY  
ITEM NO. 7-22116.00**

**DRAINAGE SUMMARY**

		(1)	(2)	(4)	
		CLEAN ROADWAY DRAINS	REPLACE GRATE	SECURITY PLATE ASSEMBLY	NOTES
ITEM CODE	(3)	3260	20366NN	24585EC	
STATION	LOC.	EACH	EACH	EACH	
<b>NORTHBOUND I-75</b>					
100+27.4	Rt	1			Bridge End Drainage Inlet
103+27.0	Median	1			Concrete Median Barrier Box Inlet
223+27	Rt		2	2	18 Headwall
375+51.0	Median	1			10' Slotted Drain
474+40.3	Rt		1	2	18 Headwall
495+46.8	Rt		1	2	15 Headwall
514+38.6	Rt		1	2	24 Headwall
<b>SOUTHBOUND I-75</b>					
100+27.3	Rt	1			Bridge End Drainage Inlet
277+96.8	Median	1			Concrete Median Barrier Box Inlet
343+95.9	Rt	1			Drop Box Inlet
393+44.8	Median	1			Concrete Median Barrier Box Inlet
507+93.9	Median	1			Concrete Median Barrier Box Inlet
573+96.0	Median	1			Concrete Median Barrier Box Inlet
581+91.0	Median	1			Concrete Median Barrier Box Inlet
	<b>T</b>	<b>10</b>	<b>5</b>	<b>8</b>	

- (1) Includes all pipe, inlet and outlet structures such that the system is clear from debris and functions correctly. Includes inlets on both sides of the barrier wall at the same location if existing.
- (2) Contractor to verify grate dimensions prior to ordering new grate.
- (3) Side of roadway in relation to direction of travel.
- (4) See Sepia Drawing No. 20.

**I-75  
 PAVEMENT REHABILITATION PROJECT  
 FAYETTE COUNTY  
 ITEM NO. 7-22116.00**

**CLEAN OUT PERFORATED PIPE HEAD ALL SUMMARY**

ITEM DESCRIPTION		CLEAN
ITEM CODE		24662EC
UNIT		EACH
<b>NORTHBOUND I-75</b>		
Station	Location	
166+55.5	Rt	1
171+12.9	Lt	1
191+10.4	Lt	1
196+10.4	Lt	1
276+94.2	Rt	1
282+71.3	Rt	1
306+67.3	Rt	1
422+94.6	Rt	1
431+42.0	Rt	1
520+98.8	Rt	1
545+41.0	Rt	1
565+30.2	Rt	1
572+48.9	Rt	1
<b>SOUTHBOUND I-75</b>		
Station	Location	
105+18.4	Lt	1
151+94.0	Lt	1
166+75.9	Lt	1
191+22.5	Lt	1
200+30.4	Lt	1
205+34.7	Lt	1
238+82.5	Lt	1

ITEM DESCRIPTION		CLEAN
ITEM CODE		24662EC
UNIT		EACH
<b>SOUTHBOUND I-75</b>		
Station	Location	
252+56.3	Lt	1
268+78.5	Lt	1
281+89.7	Lt	1
326+91.9	Lt	1
340+64.0	Lt	1
356+58.7	Lt	1
420+53.2	Lt	1
494+32.9	Lt	1
519+24.1	Lt	1
522+18.7	Lt	1
524+18.7	Lt	1
564+62.3	Lt	1
567+62.0	Lt	1
570+13.4	Lt	1
575+13.1	Lt	1
577+52.4	Lt	1
582+53.9	Lt	1
<b>US 25 RAMP D</b>		
37+48.5	Rt	1
<b>TOTAL</b>		<b>8</b>

Notes:

The location shown is relative to the direction of travel.

Perforated pipe headwalls are to be cleaned out to restore their intended function. Payment for this work will be made at the unit bid price for Bid Item No. 24662EC Clean .

**I-75  
PAVEMENT REHABILITATION PROJECT  
FAYETTE COUNTY  
ITEM NO. 7-22116.00**

FILL SLOPE EROSION REPAIR SUMMARY				
				CRUSHED AGGREGATE SIZE NO. 2 (1)
ITEM CODE				78
UNIT				TON
STA - STA	LOCATION	LENGTH (FT)	EST. WIDTH (FT) (2)	
<b>NORTHBOUND I-75</b>				
239+69 - 239+93	Outside	23	20	10
276+88 - 276+96	Outside	8	20	4
313+39 - 313+52	Outside	13	20	6
317+21 - 317+31	Outside	10	20	4
317+89 - 318+06	Outside	17	20	7
364+65 - 364+83	Outside	18	20	8
367+69 - 367+82	Outside	14	20	6
368+63 - 368+75	Outside	12	20	6
430+16 - 430+87	Outside	71	20	31
<b>SOUTHBOUND I-75</b>				
159+97 - 160+13	Outside	16	20	7
430+22 - 430+60	Outside	38	20	17
			TOTAL	106

(1) Quantity based on 4 inch average depth & estimated at 100 pounds per square yard per inch of depth. Quantity carried forward to the General Summary.

(2) Average width as measured from the shoulder break point.

See the Fill Slope Erosion Repair detail sheet for additional information.

See the General Summary for a quantity of Channel Lining Class II estimated to be needed to fill in deeper eroded areas.

GENERAL NOTES  
I-75 REHABILITATION PROJECT  
FAYETTE COUNTY  
ITEM NO. 7-22116.00

---

THIS PROJECT IS A FULLY CONTROLLED ACCESS HIGHWAY

I. GENERAL

Perform all work in accordance with the Department's 2019 Standard Specifications, Supplemental Specifications, applicable Special Provisions, and Standard Drawings except as specified in these notes or elsewhere in this proposal. Article references are to the Standard Specifications.

All existing mile markers within the project limits have been shown on the plan sheets along with their station based on the centerlines shown in the plans. These can be used to relate the stations shown in the summaries to their location in the field.

II. MATERIALS

Except as specified in these notes or on the drawings, all materials will be according to the Standard Specifications and applicable Special Provisions and Special Notes. The Department will sample and test all materials according to the Department's Sampling Manual and the Contractor will have the materials available for sampling a sufficient time in advance of the use of the materials to allow for the necessary time for testing, unless otherwise specified in these notes.

A. MAINTAIN AND CONTROL TRAFFIC. See Maintenance Of Traffic Plan.

B. PAVEMENT STRIPING. Use Pave Striping-Thermo-6 Inch for permanent striping on asphalt surfaces. Use Pave Striping-Dur TY 1-6 Inch on bridge decks.

C. EROSION CONTROL BLANKET. Erosion Control Blanket is to be placed on any disturbed areas in the median, roadway side slopes, or other areas disturbed where work is required in the proposal.

III. CONSTRUCTION METHODS

A. MAINTAIN AND CONTROL TRAFFIC. See Maintenance Of Traffic Plan.

B. SITE PREPARATION. Be responsible for all site preparation. This item shall include, but is not limited to, clearing and grubbing, excavation and backfilling, embankments, removal of obstructions or any other items, and disposal of materials. All site preparation shall be only as approved or directed by the Engineer. Except for the bid items listed, site preparation will not be measured for payment but shall be incidental to the other items of work.

- C. **MILLING AND PAVING.** After milling, where milling is called for in the proposal, correct settlement over pipes and culverts and remove de-bonded or flaking courses.
- D. **DISPOSAL OF WASTE.** Dispose of all cuttings, debris, and other waste off the right-of-way at approved sites obtained by the Contractor at no additional cost to the Department. The Contractor will be responsible for obtaining any necessary permits for this work. Temporary openings in the right-of-way fence for direct access to waste sites off the right-of-way or for access to other public roads will not be allowed. No separate payment will be made for the disposal of waste and debris from the project or obtaining the necessary permits but will be incidental to the other items of the work.
- E. **FINAL DRESSING, CLEANUP, AND SEEDING.** After all work is completed, completely remove all debris from the job site. Perform Final Dressing Class A on all disturbed areas. This item is incidental to the other items of the work. Sow all disturbed earthen areas with the seed mixtures specified by the Engineer or place Erosion Control blanket on the areas if directed to do so by the Engineer.
- F. **PAVEMENT STRIPING AND PAVEMENT MARKERS.** Permanent striping will be in accordance with Section 714, except that:
- (1) Striping will be 6" in width;
  - (2) Permanent or Temporary Striping will be in place before a lane is opened to traffic.
  - (3) Permanent striping on asphalt surfaces will be Pave Striping-Thermo-6 Inch W or Y;
  - (4) Permanent striping on bridge decks will be Pave Striping-Dur TY 1-6 Inch W or Y;
  - (5) Existing pavement marker removal shall be incidental to Milling.
  - (6) Inlaid Pavement Markers will be required.
- G. **ON SITE INSPECTION.** Each Contractor submitting a bid for this work shall make a thorough inspection of the site prior to submitting a bid and shall be thoroughly familiarized with existing conditions so that the work can be expeditiously performed after a contract is awarded. Submission of a bid will be considered evidence of this inspection having been made. The Department will not honor any claims resulting from site conditions.
- H. **PROPERTY DAMAGE.** The Contractor shall be responsible for all damage to public and/or private property resulting from the Contractor's work. Restore all disturbed features in like kind materials and design to the existing or proposed grades, as applicable, at no additional cost to the Department.
- I. **CAUTION.** Information shown on the drawings and in this proposal and the types and quantities of work listed are not to be taken as an accurate or complete evaluation of the material and conditions to be encountered during construction. The bidder must draw his own conclusion as to the conditions encountered. The Department does not give any guarantee as to the accuracy of the data and will not consider any claim for additional compensation if the conditions encountered are not in accordance with the information shown.



J. UTILITY CLEARANCE. Do not disturb existing overhead or underground utilities. It is not anticipated that any utility facilities will need to be relocated and/or adjusted; however, in the event that it is discovered that the work does require that utilities be relocated and/or adjusted, the utility companies will work concurrently with the Contractor while relocating their facilities. The Contractor shall be responsible for repairing all utility damage that occurs as a result of his operations at no additional cost to the Department. See the Special Note for Utility Clearance Impact on Construction.

#### IV. METHOD OF MEASUREMENT

Except as specified in these notes, or elsewhere in the drawings or this proposal, the method of measurement will be in accordance with the Standard Specifications.

A. MAINTAIN AND CONTROL TRAFFIC. See Maintenance Of Traffic Plan.

B. SITE PREPARATION. Other than the bid items listed, the Department will not measure Site Preparation for payment but shall be incidental to other items of work.

C. INLAID PAVEMENT MARKERS AND PERMANENT STRIPING. Pave Striping-Thermo 6 Inch and Pave Striping-Dur TY 1-6 Inch are measured per linear foot. Inlaid Pavement Markers are measured as each

#### V. BASIS OF PAYMENT

Except as specified in these notes, or elsewhere in the drawings or this proposal, basis of payment will be in accordance with the Standard Specifications. No direct payment will be made other than for the bid items listed. All other items required to complete the construction will be incidental to the bid items listed. Existing signs damaged by the Contractor will be replaced by the Contractor at the Contractor's expense.

A. MAINTAIN AND CONTROL TRAFFIC. See Maintenance Of Traffic Plan.

B. SITE PREPARATION. Other than the bid items listed, no direct payment will be allowed for site preparation, but will be incidental to the other items of work.

D. INLAID PAVEMENT MARKERS AND PERMANENT STRIPING. See the General Summary Sheet.



Existing Guardrail To Remain Unless Otherwise Noted (Typ)

Ex. MM 98.0 Sign  
Sta 102 + 66.4

Sta 103 + 27.0 - Clean Roadway Drain

Sta 100 + 27.3 - Clean Roadway Drain

Sta 100 + 27.4 - Clean Roadway Drain

**BEGIN CONSTRUCTION**  
STA 100 + 00.0  
MP 97.865

Bridge No. 034B00153N

**KENTUCKY RIVER**

110 + 00

105 + 00

100 + 00

95 + 00

90 + 00

I-75 Rehab Plan - Scale 1" = 200' - Sheet 1 of 26 - Sta 90+00 to Sta 110+00

130+00

125+00

120+00

115+00

110+00

45+00

RAMP C

+ 25' CLR

28' CLR

1T

23.5' CLR

Physical Grass Gore

End Ramp Pavement  
Begin Mainline Pavement

End Striping Change At End Of  
Existing 12" Thermo White Line

Ex. MM 98.4 Sign  
Sta 123+81.7

**LEGEND**  
 4E - Four Electric Cables  
 1T - One Telephone Cable  
 CLR - Vertical Clearance

500' From Physical Grass Gore - End Dotted Extension  
Line And Begin 12" White Thermo Line

+ 25' CLR

24.5' CLR

4E

+ 25' CLR

1T

20' CLR

750' From Physical Grass Gore - Begin Striping Change  
Begin Dotted Extension Line  
(3'x9' - 6" Width)

Ex. MM 98.2 Sign  
Sta 112+93.1





Dotted Extension Line  
(3'x9' - 6" Width)

End Ramp Pavement  
Begin Mainline Pavement

Ex. MM 98.8 Sign  
Sta 145 + 79.3

End Mainline Pavement  
Begin Ramp Pavement

Sta 37 + 35.3 Begin Guardrail Replacement  
w/End Treatment Type 1

Ex. Wrong  
Way Sign

End Ramp Work

Thermo Cone Cap  
Solid Yellow

Wrong Way Pavement Marking  
(See Detail Sheet)

① See The General Summary  
For Cross-Hatching Quantities  
and Standard Drawings For Details

**LEGEND**  
 1E - One Electric Cable  
 CLR - Vertical Clearance

Sta 135 + 46 To Sta 135 + 83.5 - Replace  
End Treatment Type 4A

Bridge No. 034B00009N

Existing Guardrail To Remain  
Unless Otherwise Noted (Typ)

Wrong Way Pavement  
Markings  
(See Detail Sheet)

Ex. Wrong  
Way Sign

Sta 46 + 94.3 End Guardrail  
Replacement - Tie To Existing

End Ramp Work

130+00



I-75 Rehab Plan - Scale 1" = 200' - Sheet 3 of 26 - Sta 130+00 to Sta 150+00



I-75 Rehab Plan - Scale 1" = 200' - Sheet 4 of 26 - Sta 150+00 to Sta 170+00



I-75 Rehab Plan - Scale 1" = 200' - Sheet 5 of 26 - Sta 170+00 to Sta 190+00

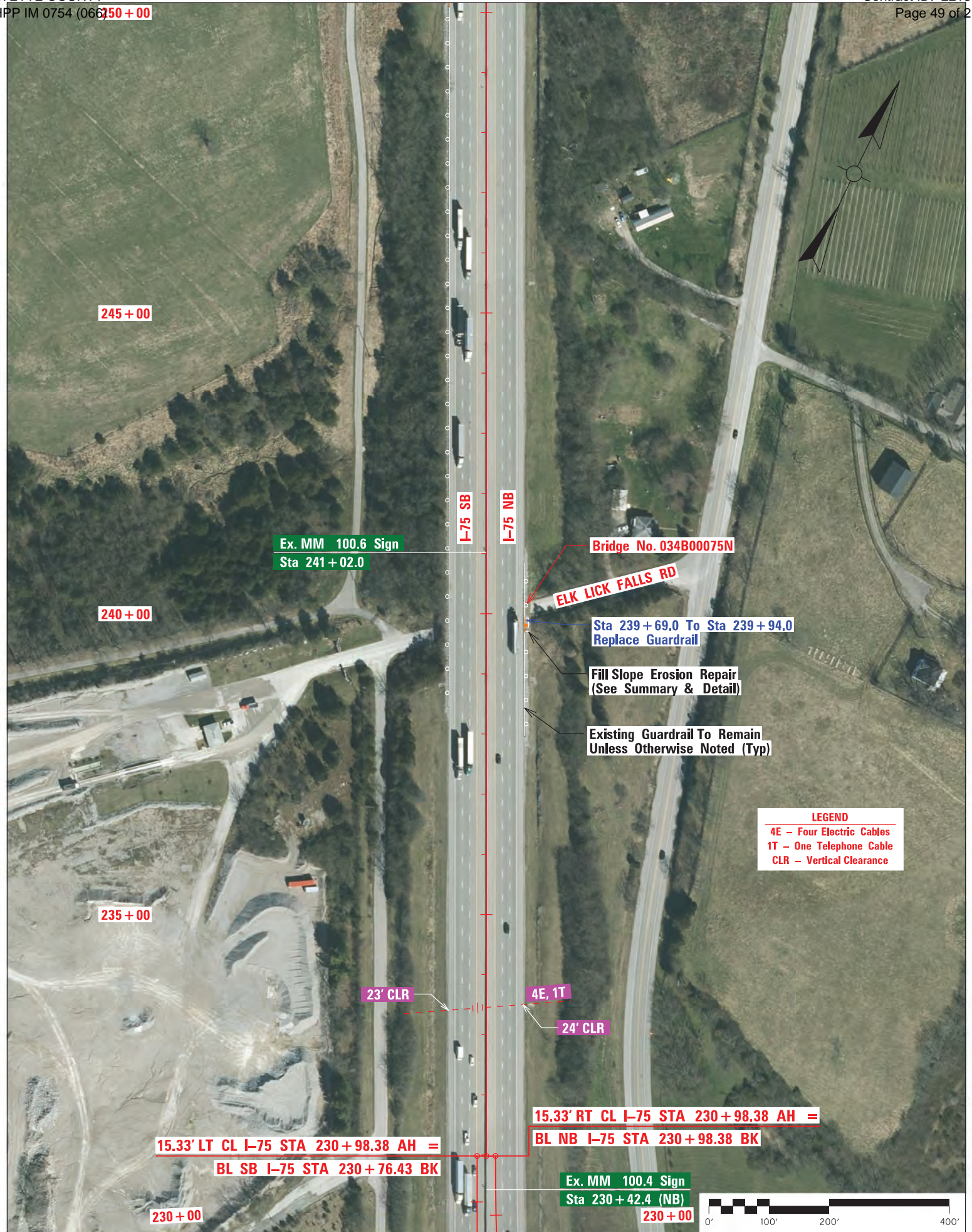


I-75 Rehab Plan - Scale 1" = 200' - Sheet 6 of 26 - Sta 190+00 to Sta 210+00



I-75 Rehab Plan - Scale 1" = 200' - Sheet 7 of 26 - Sta 210+00 to Sta 230+00





245+00

240+00

235+00

230+00

Ex. MM 100.6 Sign  
Sta 241 + 02.0

I-75 SB  
I-75 NB

Bridge No. 034B00075N

ELK LICK FALLS RD

Sta 239 + 69.0 To Sta 239 + 94.0  
Replace Guardrail

Fill Slope Erosion Repair  
(See Summary & Detail)

Existing Guardrail To Remain  
Unless Otherwise Noted (Typ)

**LEGEND**  
 4E - Four Electric Cables  
 1T - One Telephone Cable  
 CLR - Vertical Clearance

23' CLR

4E, 1T

24' CLR

15.33' LT CL I-75 STA 230 + 98.38 AH =

BL SB I-75 STA 230 + 76.43 BK

15.33' RT CL I-75 STA 230 + 98.38 AH =

BL NB I-75 STA 230 + 98.38 BK

Ex. MM 100.4 Sign  
Sta 230 + 42.4 (NB)

230+00





270 + 00

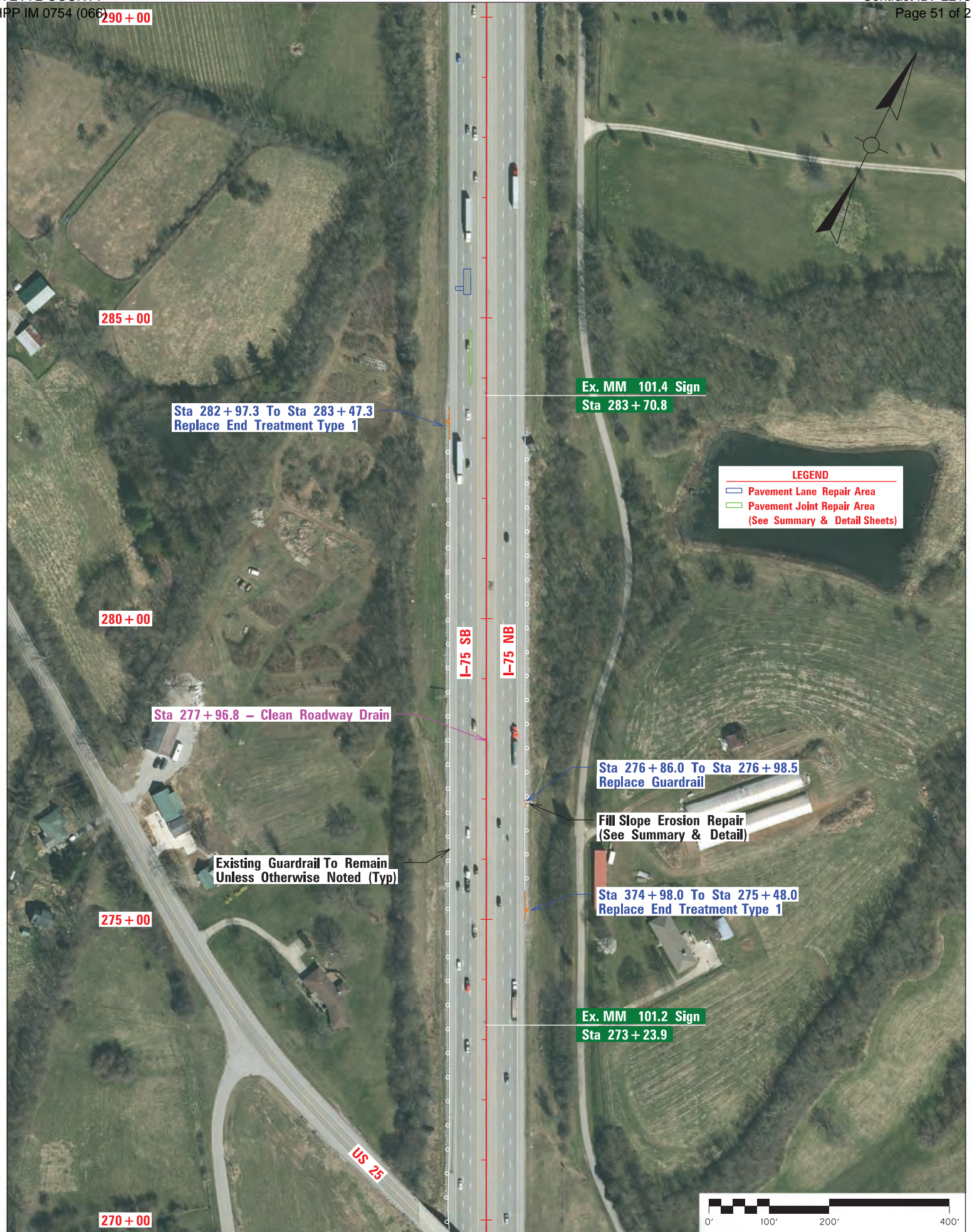
265 + 00

260 + 00

255 + 00

250 + 00

I-75 Rehab Plan - Scale 1" = 200' - Sheet 9 of 26 - Sta 250+00 to Sta 270+00



290+00

285+00

280+00

275+00

270+00

Sta 282+97.3 To Sta 283+47.3  
Replace End Treatment Type 1

Ex. MM 101.4 Sign  
Sta 283+70.8

Sta 277+96.8 - Clean Roadway Drain

Existing Guardrail To Remain  
Unless Otherwise Noted (Typ)

Sta 276+86.0 To Sta 276+98.5  
Replace Guardrail

Fill Slope Erosion Repair  
(See Summary & Detail)

Sta 374+98.0 To Sta 275+48.0  
Replace End Treatment Type 1

Ex. MM 101.2 Sign  
Sta 273+23.9

**LEGEND**

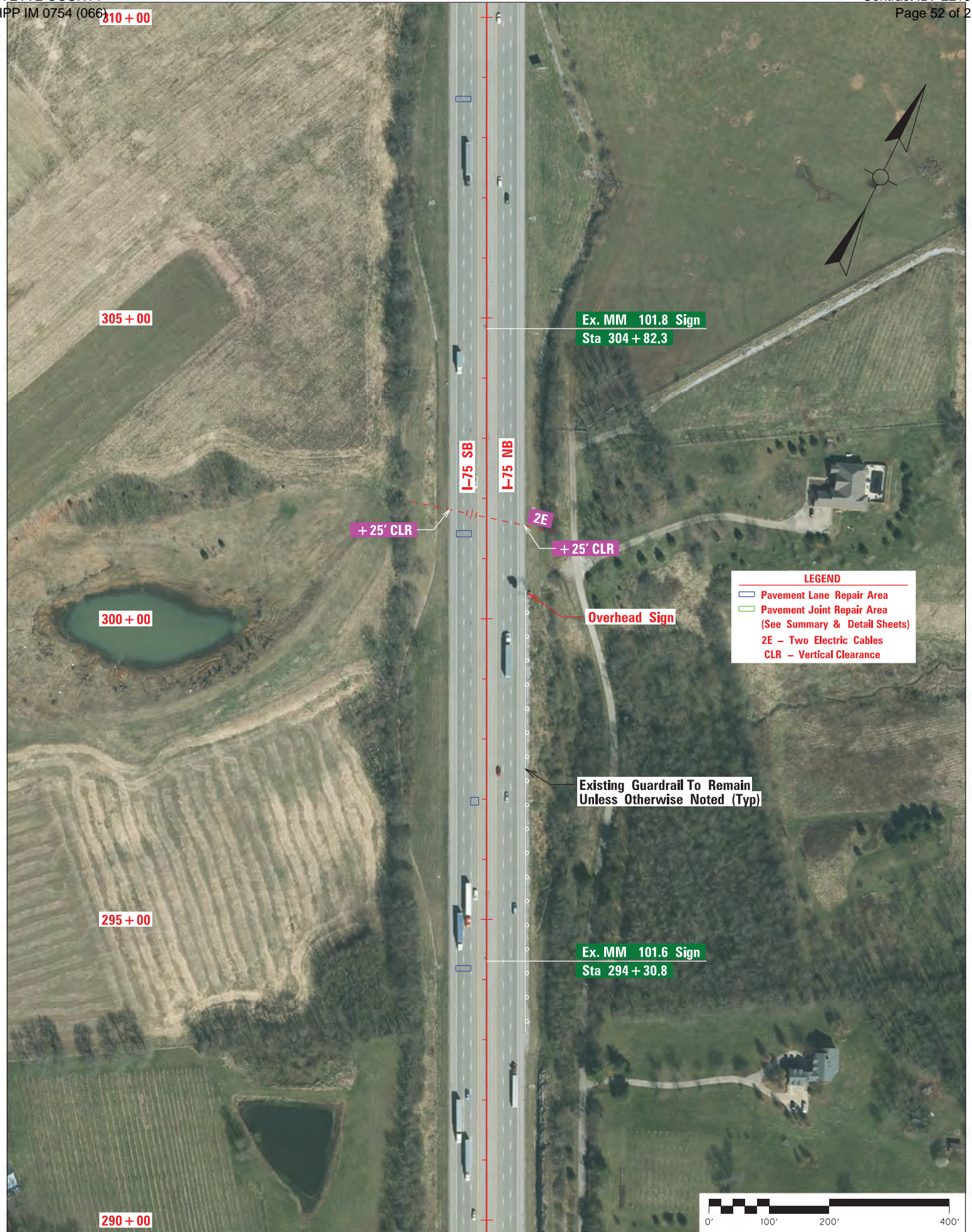
- Pavement Lane Repair Area
- Pavement Joint Repair Area  
(See Summary & Detail Sheets)

I-75 SB

I-75 NB

US 25





I-75 Rehab Plan - Scale 1" = 200' - Sheet 11 of 26 - Sta 290+00 to Sta 310+00

330+00

325+00

320+00

315+00

310+00

I-75 SB

I-75 NB

Ex. MM 102.2 Sign  
Sta 325+90.9

**LEGEND**

- Pavement Lane Repair Area
- Pavement Joint Repair Area  
(See Summary & Detail Sheets)

Existing Guardrail To Remain  
Unless Otherwise Noted (Typ)

Sta 317+83.0 To Sta 318+08.0  
Replace Guardrail

Fill Slope Erosion Repair  
(See Summary & Detail)

Sta 317+20.0 To Sta 317+32.5  
Replace Guardrail

Ex. MM 102.0 Sign  
Sta 315+33.2

Sta 313+40.0 To Sta 313+52.5  
Replace Guardrail

Fill Slope Erosion Repair  
(See Summary & Detail)



350+00

345+00

340+00

335+00

330+00

Sta 277+96.8 - Clean Roadway Drain

Overhead Sign

Ex. MM 102.6 Sign  
Sta 346+97.9

Existing Guardrail To Remain  
Unless Otherwise Noted (Typ)

I-75 SB

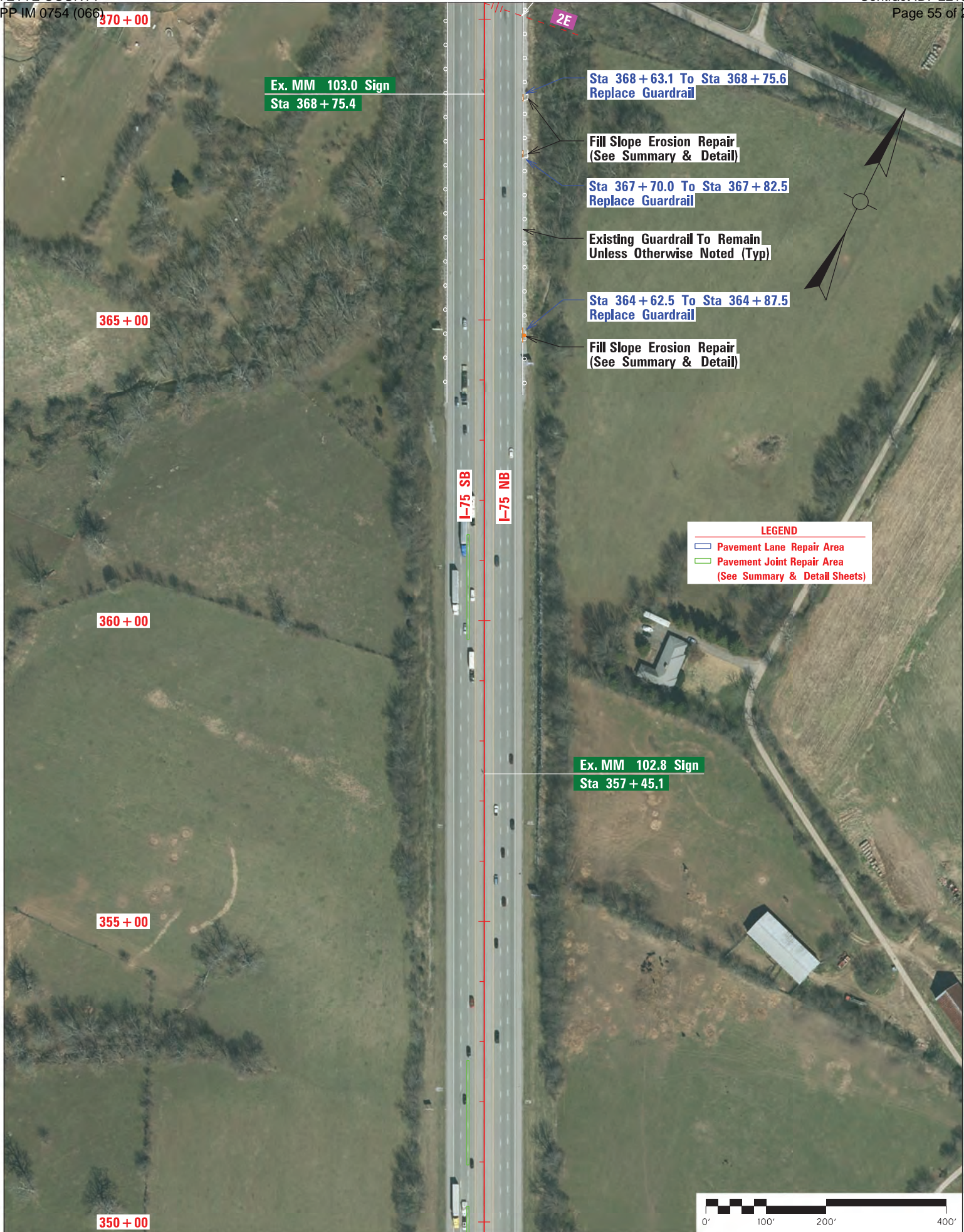
I-75 NB

**LEGEND**

- Pavement Lane Repair Area
- Pavement Joint Repair Area  
(See Summary & Detail Sheets)

Ex. MM 102.4 Sign  
Sta 335+07.8





370+00

365+00

360+00

355+00

350+00

Ex. MM 103.0 Sign  
Sta 368 + 75.4

Sta 368 + 63.1 To Sta 368 + 75.6  
Replace Guardrail

Fill Slope Erosion Repair  
(See Summary & Detail)

Sta 367 + 70.0 To Sta 367 + 82.5  
Replace Guardrail

Existing Guardrail To Remain  
Unless Otherwise Noted (Typ)

Sta 364 + 62.5 To Sta 364 + 87.5  
Replace Guardrail

Fill Slope Erosion Repair  
(See Summary & Detail)

**LEGEND**

- Pavement Lane Repair Area
- Pavement Joint Repair Area

(See Summary & Detail Sheets)

Ex. MM 102.8 Sign  
Sta 357 + 45.1



Striping Change. See The KY 418 SB Entrance Ramp Striping Change Plans For Details.

Ex. MM 103.4 Sign  
Sta 389 + 88.4

Replace Existing Lane Use Arrows Per TPM-202  
(Existing Arrows Not Shown)

Overhead Sign



385 + 00

**LEGEND**

- ▭ Pavement Lane Repair Area
- ▭ Pavement Joint Repair Area  
(See Summary & Detail Sheets)
- 2E - Two Electric Cables
- CLR - Vertical Clearance

380 + 00

Ex. MM 103.2 Sign  
Sta 379 + 25.5

Sta 375 + 51.0 - Clean Roadway Drain

Existing Guardrail To Remain  
Unless Otherwise Noted (Typ)

375 + 00

**ATHENS WALNUT HILL PIKE**

Bridge No. 034B00081N

2E

+ 25' CLR

+ 25' CLR

2E

370 + 00







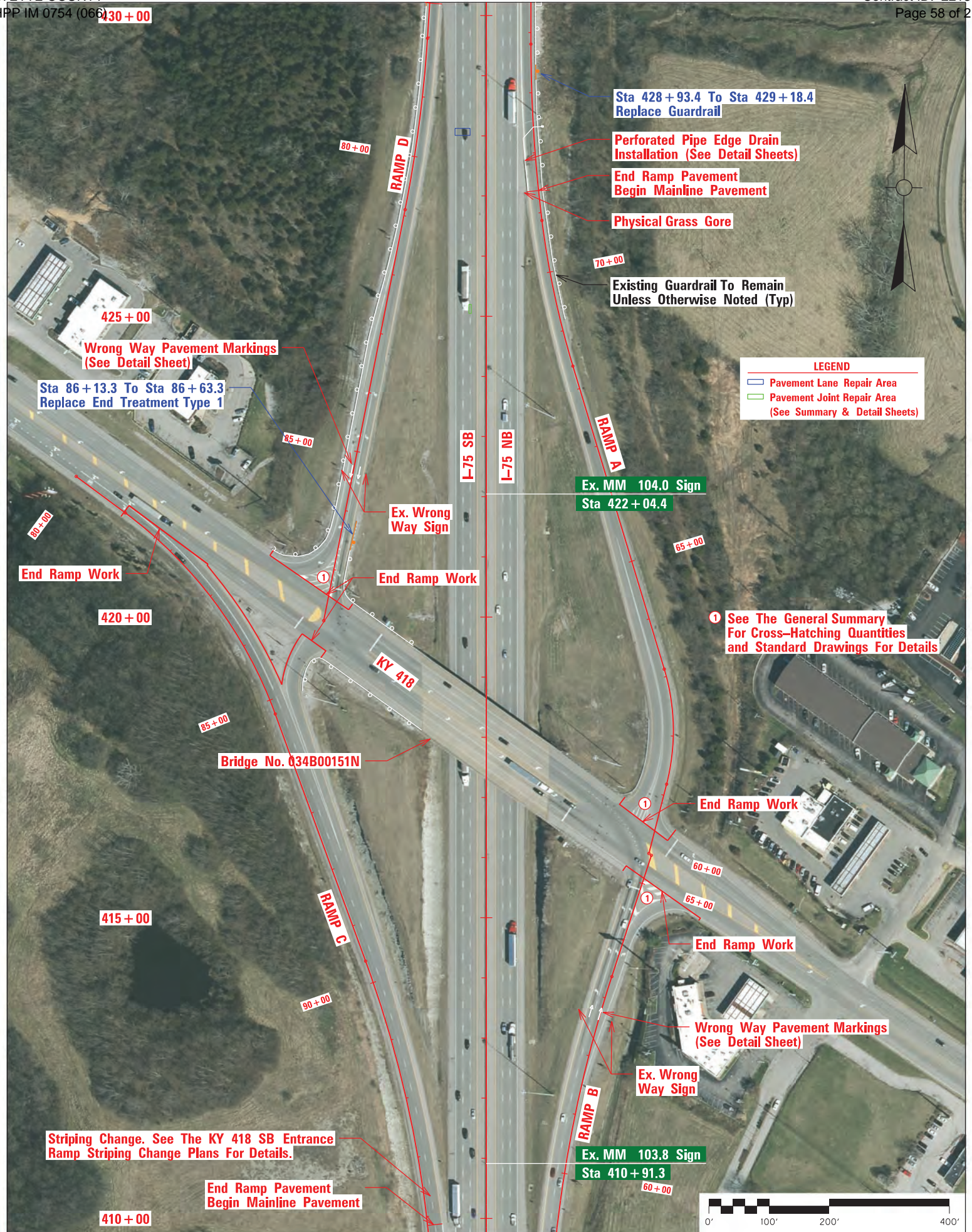
**LEGEND**

- Pavement Lane Repair Area
- Pavement Joint Repair Area

(See Summary & Detail Sheets)

Ex. MM 103.4 Sign  
Sta 389 + 88.4

I-75 Rehab Plan - Scale 1" = 200' - Sheet 16 of 26 - Sta 390+00 to Sta 410+00



430+00

Sta 428+93.4 To Sta 429+18.4  
Replace Guardrail

Perforated Pipe Edge Drain  
Installation (See Detail Sheets)

End Ramp Pavement  
Begin Mainline Pavement

Physical Grass Gore

Existing Guardrail To Remain  
Unless Otherwise Noted (Typ)

**LEGEND**

- Pavement Lane Repair Area
- Pavement Joint Repair Area  
(See Summary & Detail Sheets)

Sta 86+13.3 To Sta 86+63.3  
Replace End Treatment Type 1

Wrong Way Pavement Markings  
(See Detail Sheet)

Ex. Wrong  
Way Sign

Ex. MM 104.0 Sign  
Sta 422+04.4

1 See The General Summary  
For Cross-Hatching Quantities  
and Standard Drawings For Details

Bridge No. 034B00151N

End Ramp Work

End Ramp Work

Wrong Way Pavement Markings  
(See Detail Sheet)

Ex. Wrong  
Way Sign

Striping Change. See The KY 418 SB Entrance  
Ramp Striping Change Plans For Details.

Ex. MM 103.8 Sign  
Sta 410+91.3

End Ramp Pavement  
Begin Mainline Pavement



I-75 Rehab Plan - Scale 1" = 200' - Sheet 17 of 26 - Sta 410+00 to Sta 430+00

450+00

445+00

440+00

435+00

430+00



Ex. MM 104.4 Sign  
Sta 443+08.5

**LEGEND**

- Pavement Lane Repair Area
- Pavement Joint Repair Area (See Summary & Detail Sheets)
- 4E - Four Electric Cables
- 3T - Three Telephone Cables
- CLR - Vertical Clearance

- 1 Rt Sta 430+90 Const Flume Inlet Type 2 & 2' FB Outlet Ditch w/Channel Lining Class III (66 Ton)
- 2 Rt Sta 430+18 (North End Of Existing Flume) to Sta 430+73 (South End Of Proposed Flume) Const Island Curb & Gutter (55 LF). See Detail On Ramp Typical Section.

**CAUTION: Electrical Conduit In Area.**  
The Contractor Will Be Responsible For Repair Of Any Damage At No Additional Cost To The KY Transportation Cabinet.

Existing Guardrail To Remain Unless Otherwise Noted (Typ)

Dotted Extension Line (3'x9' - 6" Width)

23.5' CLR

4E, 3T  
+ 25' CLR

Overhead Sign

3 See The General Summary For Cross-Hatching Quantities and Standard Drawings For Details

530' From Physical Grass Gore - End 12" White Thermo Line And Begin Dotted Extension Line (3'x9' - 6" Width)

Ex. MM 104.2 Sign  
Sta 432+51.4

Sta 430+16.0 to Sta 430+66.0 Replace Guardrail

Fill Slope Erosion Repair (See Summary & Detail)

End Mainline Pavement Begin Ramp Pavement

Striping Change - Extend 12" White Thermo Line

Fill Slope Erosion Repair (See Summary & Detail)

Sta 430+17.5 To Sta 431+05.0 Replace Guardrail



470+00

465+00

460+00

455+00

450+00

I-75 SB

I-75 NB

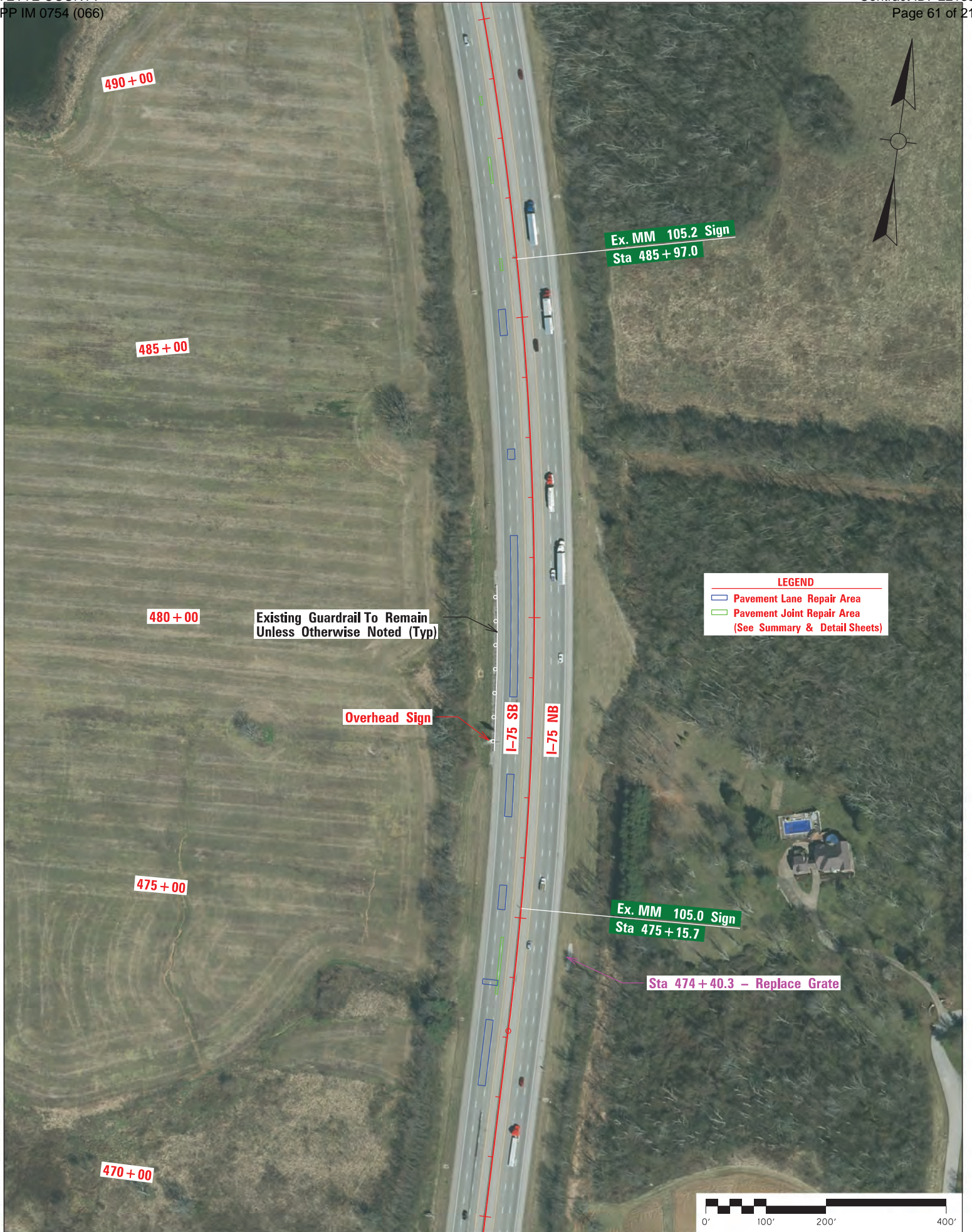
Ex. MM 104.8 Sign  
Sta 464 + 22.5

Ex. MM 104.6 Sign  
Sta 453 + 61.9

**LEGEND**

- Pavement Lane Repair Area
- Pavement Joint Repair Area  
(See Summary & Detail Sheets)





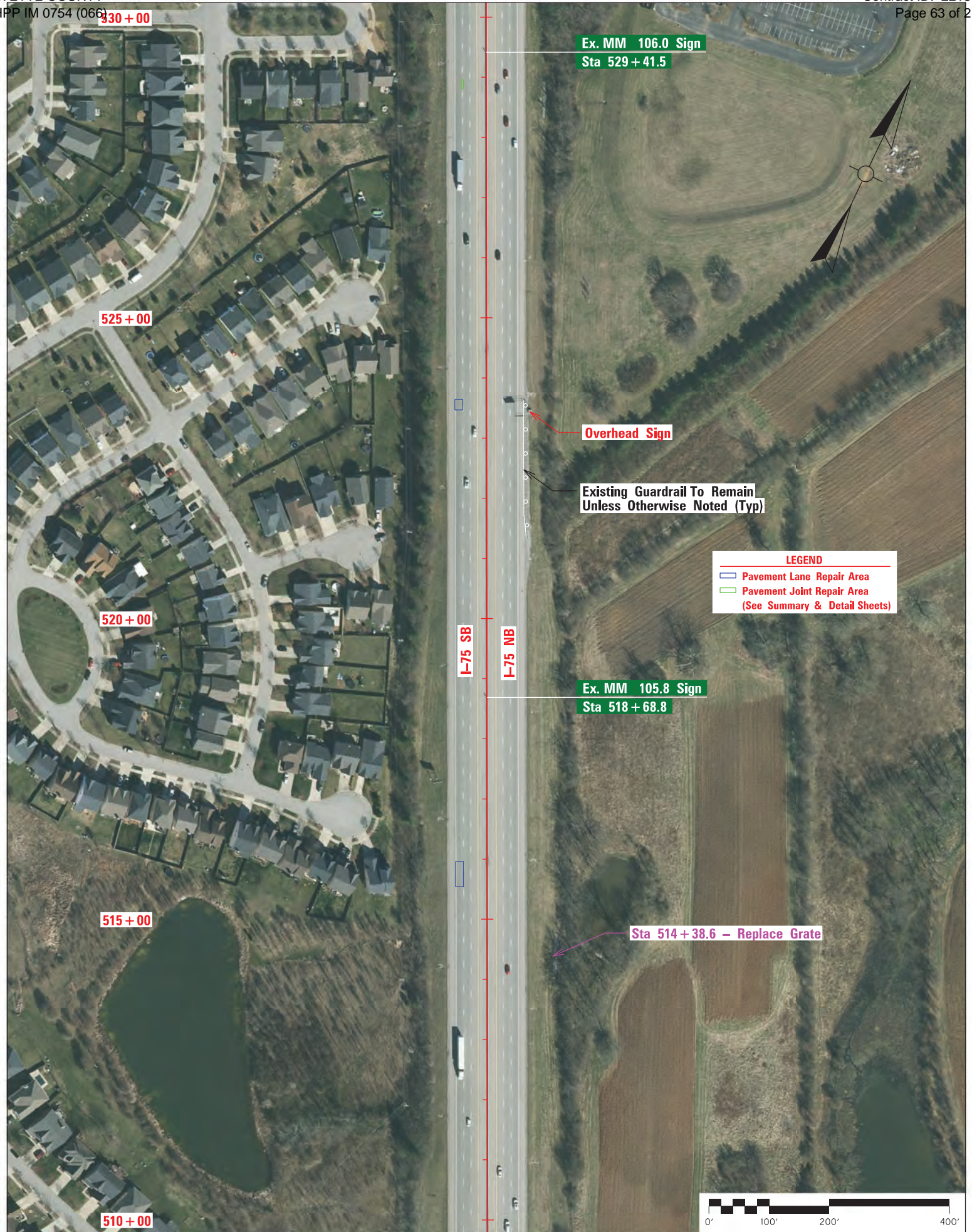
**LEGEND**

- Pavement Lane Repair Area
- Pavement Joint Repair Area

(See Summary & Detail Sheets)



I-75 Rehab Plan - Scale 1" = 200' - Sheet 21 of 26 - Sta 490+00 to Sta 510+00



330 + 00

525 + 00

520 + 00

515 + 00

510 + 00

Ex. MM 106.0 Sign  
Sta 529 + 41.5

Overhead Sign

Existing Guardrail To Remain  
Unless Otherwise Noted (Typ)

**LEGEND**

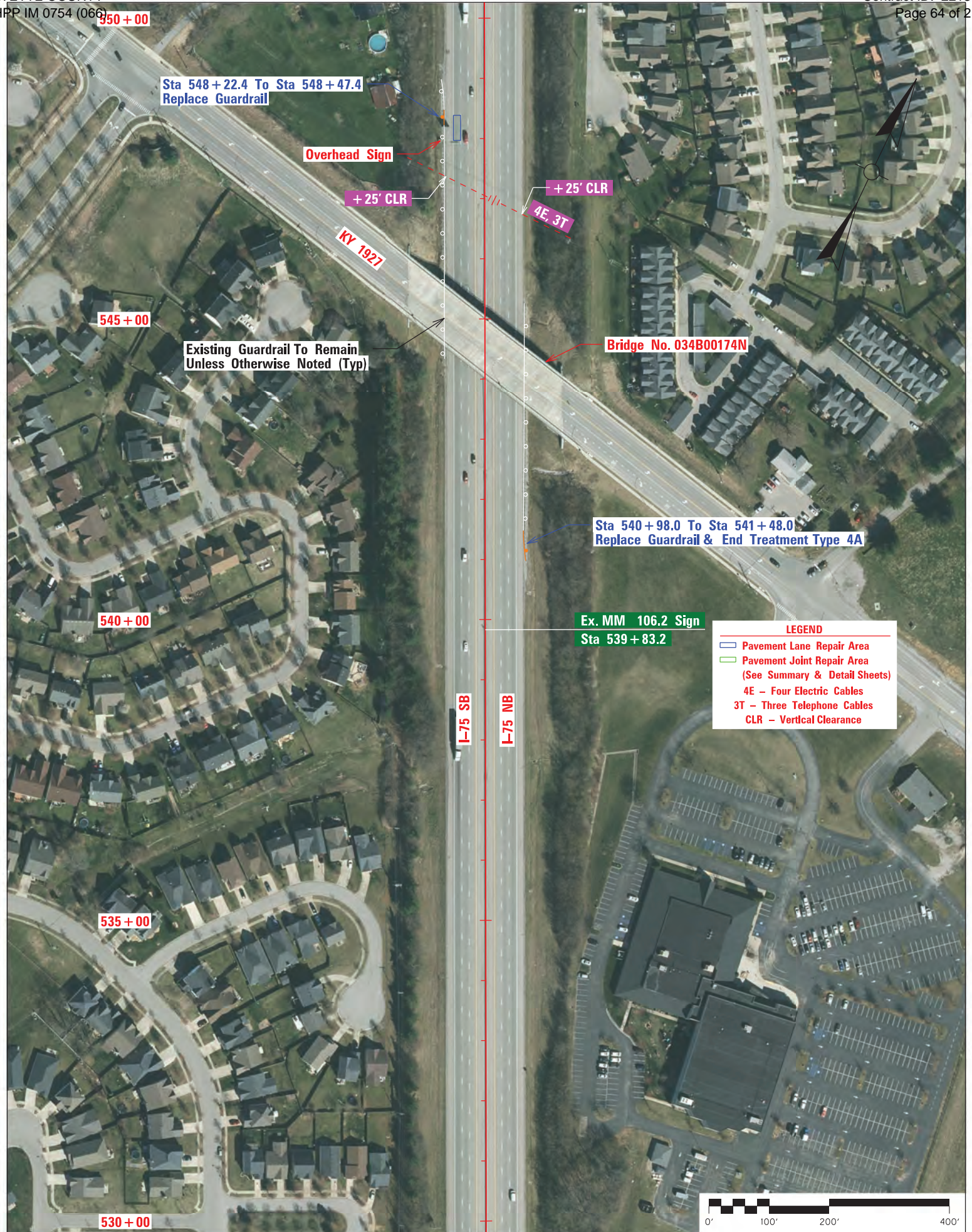
- Pavement Lane Repair Area
- Pavement Joint Repair Area  
(See Summary & Detail Sheets)

Ex. MM 105.8 Sign  
Sta 518 + 68.8

Sta 514 + 38.6 - Replace Grate

I-75 SB  
I-75 NB





Sta 548 + 22.4 To Sta 548 + 47.4  
Replace Guardrail

Overhead Sign

+ 25' CLR

+ 25' CLR

4E, 3T

KY 1927

545 + 00

Existing Guardrail To Remain  
Unless Otherwise Noted (Typ)

Bridge No. 034B00174N

540 + 00

Ex. MM 106.2 Sign  
Sta 539 + 83.2

Sta 540 + 98.0 To Sta 541 + 48.0  
Replace Guardrail & End Treatment Type 4A

**LEGEND**

- ▭ Pavement Lane Repair Area
- ▭ Pavement Joint Repair Area  
(See Summary & Detail Sheets)
- 4E - Four Electric Cables
- 3T - Three Telephone Cables
- CLR - Vertical Clearance

I-75 SB

I-75 NB

535 + 00

530 + 00







I-75 Rehab Plan - Scale 1" = 200' - Sheet 24 of 26 - Sta 550+00 to Sta 570+00



I-75 Rehab Plan - Scale 1" = 200' - Sheet 25 of 26 - Sta 570+00 to Sta 590+00



610 + 00

CONCRETE MULTI-USE PATH

END PROJECT  
STA 606 + 54.2  
MP 107.445

Bridge No. 034B00149R

Bridge No. 034B00149L

605 + 00

Ex. MM 107.4 Sign  
Sta 602 + 76.3

600 + 00

**LEGEND**

- Pavement Lane Repair Area
- Pavement Joint Repair Area  
(See Summary & Detail Sheets)

I-75 SB  
I-75 NB

Existing Guardrail To Remain  
Unless Otherwise Noted (Typ)

595 + 00

Sta 593 + 93.5 To Sta 594 + 43.5  
Replace Guardrail

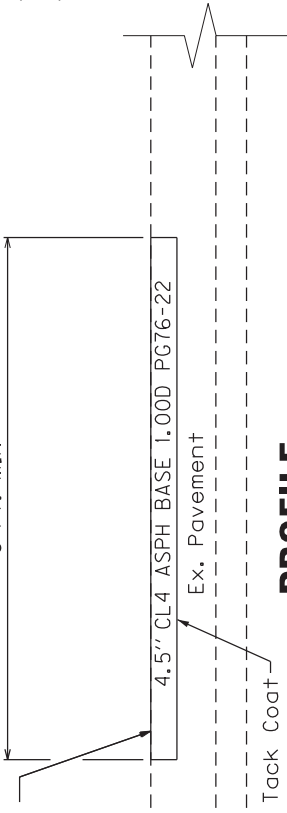
Ex. MM 107.2 Sign  
Sta 592 + 82.1

590 + 00



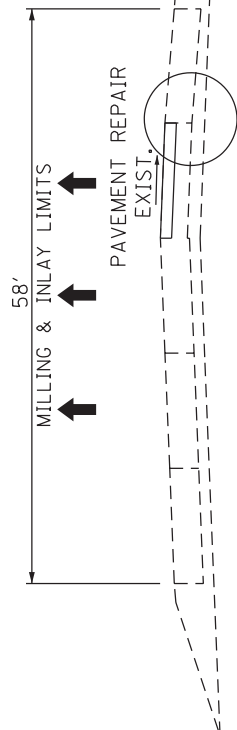
# PAVEMENT LANE REPAIR DETAIL

PAY LIMITS  
8 Ft. MIN

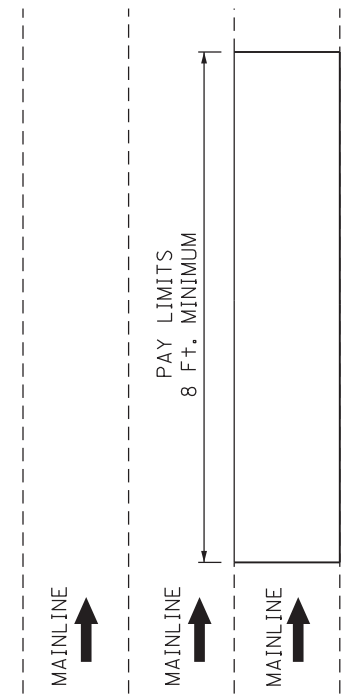


## PROFILE

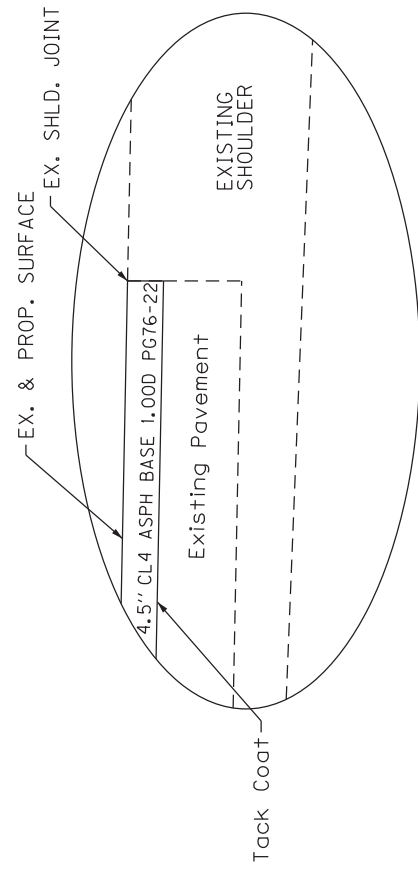
This cross section assumes one lane of a 6 lane highway will be repaired. Adjust as necessary to match actual cross section and number of lanes to be repaired.



## CROSS SECTION



## PLAN VIEW



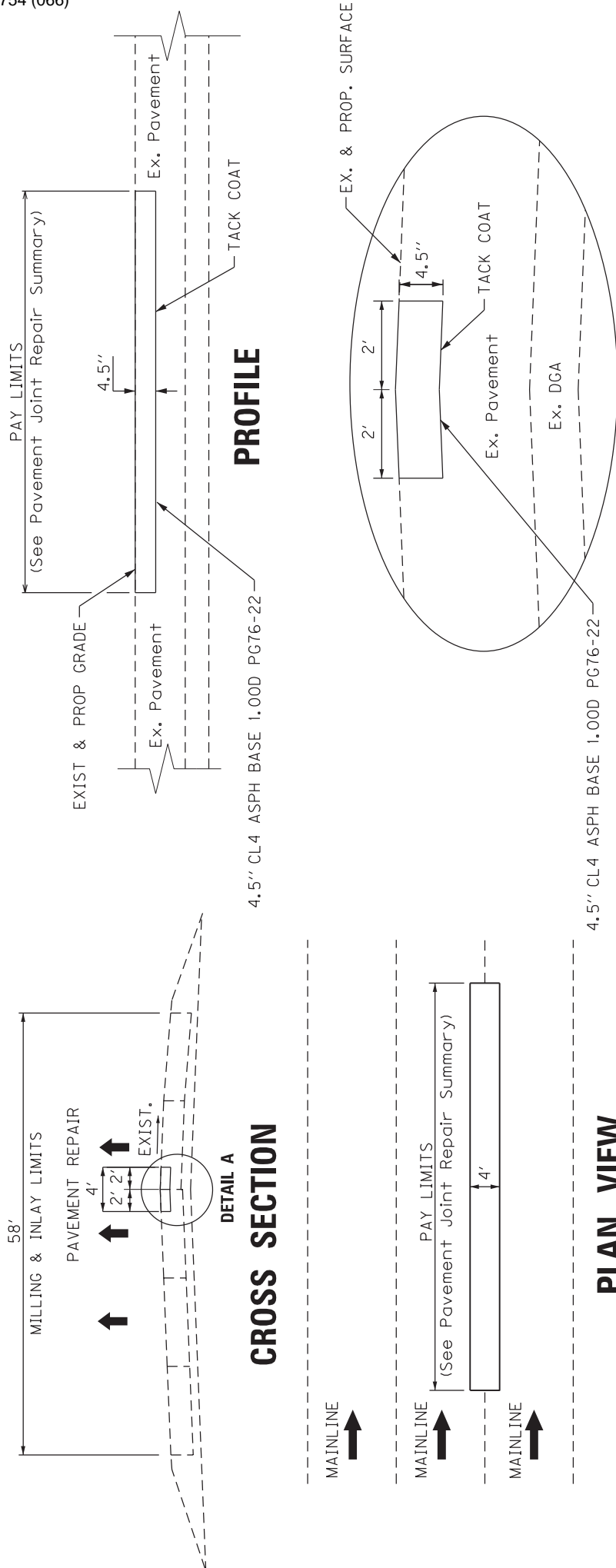
## DETAIL A

### NOTES

1. Caution: Existing concrete pavement may exist below the asphalt pavement.
2. See the Pavement Lane Repair Summary sheet for estimated repair locations and quantities. However, pavement repairs shall be performed at locations selected by and as directed by the Engineer. The Engineer will assess, select, and mark areas for treatment. The full lane width will be removed and replaced. The Engineer may elect to perform repairs on one lane or multiple lanes.
3. Complete pavement repair operations in one continuous operation or protect with barrier wall. Do not leave an unprotected hole with no workers present. If barrier wall must be used for pavement repairs, it will be considered incidental to other items of work and not be considered for payment.
4. Before resurfacing, open repaired area to traffic for a minimum of 7 days. Monitor pavement for settlement during this 7+ days and repair by leveling and wedging, as approved by the Engineer, until placement of final surface course.
5. Perform the 1.5" mill and inlay operations with resurfacing items subject to payment as part of the resurfacing operation.
6. All work associated with the pavement repair shown on this detail drawing will be considered incidental to the bid item "PAVEMENT REPAIR" in square yards. This includes removal of the 4.5 inches of existing pavement, placing tack coat over the milled surface, and furnishing and placement of the 4.5 inch course of CL4 Asph Base 1.000 PG76-22.

NOT TO SCALE

# PAVEMENT JOINT REPAIR DETAIL

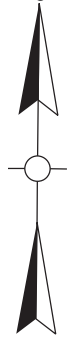


## DETAIL A

### NOTES

1. See the Pavement Joint Repair Summary for proposed repair locations and quantities. However, the Engineer will assess, select, and mark areas for treatment and may elect to revise the locations shown in the summary or to include additional locations.
2. Complete pavement repair operations in one continuous operation or protect with barrier wall. Do not leave an unprotected hole with no workers present. If barrier wall must be used for pavement repairs, it will be considered incidental to other items of work and not be considered for payment.
3. Before resurfacing, open repaired area to traffic for a minimum of 7 days. Monitor pavement for settlement during this 7+ days and repair by leveling and wedging, as approved by the Engineer, until placement of final surface course.
4. Perform the 1.5" mill and inlay operations with resurfacing items subject to payment as part of the resurfacing operation.
5. All work associated with the pavement repair shown on this detail drawing will be considered incidental to the bid item "PAVEMENT REPAIR" in square yards. This includes removal of the 4.5 inches of existing pavement, placing tack coat over the milled surface, and furnishing and placement of the 4.5 inch course of CL4 Asph Base 1.000 PG76-22.

NOT TO SCALE



429+00

73+00

See The Edge Drain Detail And  
PVC Pipe Outlet Details Sheet For  
Trenching And Backfilling And  
Estimated Quantities For This Work.

428+00

45° Bend

Const Perf Pipe Headwall TY 1-4 In

45° Bend

Removing and Resetting Guardrail Will Be  
Considered Incidental To The PVC Pipe

Const 40' - PVC Pipe-4"

72+00

SB I-75

NB I-75

Const 90' - 4" Perforated Pipe

427+00

Edge Of Driving Lane

71+00

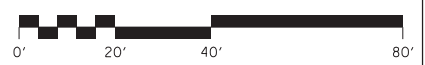
Ex. Edge Of Paved Shoulder



426+00

RAMP A

70+00



# EDGE DRAIN AND PVC PIPE OUTLET DETAILS

## SPECIAL NOTE FOR PAVEMENT SUBSURFACE DRAINAGE OUTLET ②

A quantity of Crushed Aggregate Size No. 2 as defined in the current Kentucky Standard Specifications for Road and Bridge Construction shall be used at all Perforated Pipe Headwall Outlets as illustrated in the detail. Crushed Aggregate Size No. 2 shall be placed a minimum of 4 inches deep.

Dense Graded Aggregate (DGA) removed during placement of the Crushed Aggregate Size No. 2 shall be used to dress existing shoulders where DGA is exposed. Other materials removed during placement of the Crushed Aggregate No. 2 shall be wasted as directed by the Engineer. No direct payment will be allowed for disposal of wasted material.

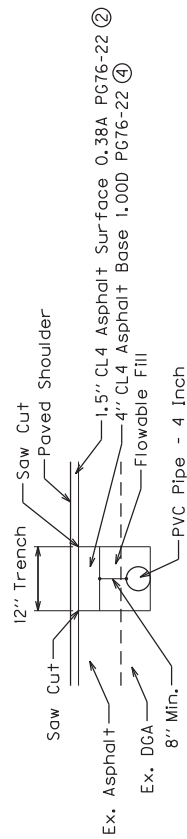
The contract unit price for Crushed Aggregate Size No. 2 shall be full compensation for all materials, labor, and other incidentals necessary to place Crushed Aggregate Size No. 2 for control of vegetation and/or erosion control at pavement edge outlets.

See current Standard Drawing RDP-010 for dimensions and other details of perforated pipe headwalls.

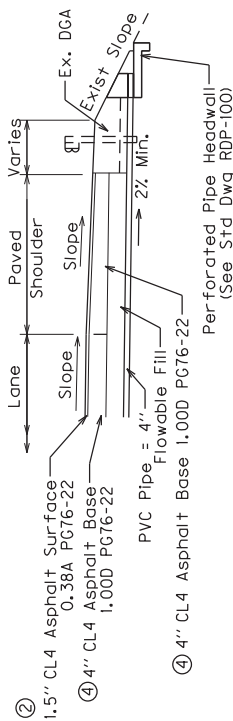
Estimate one (1) Ton of Crushed Aggregate Size No. 2 for each Perforated Pipe Headwall Outlet.

PVC OUTLET PIPE DETAILS

### CROSS SECTION



### PROFILE

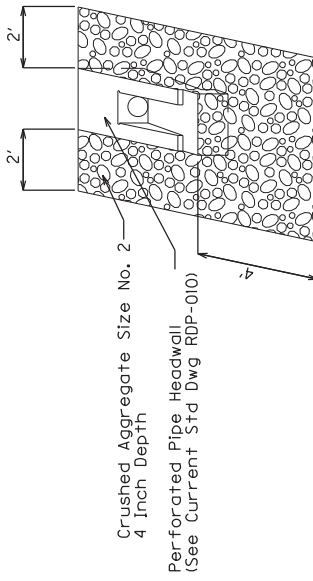


### QUANTITIES ①

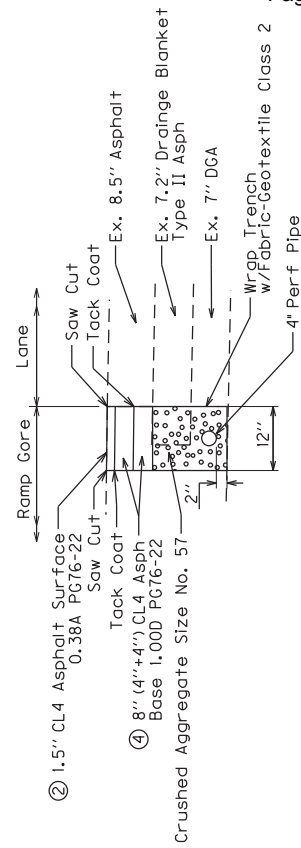
Item	Description	Unit	Quantity
②	Crushed Aggregate Size No. 2	Ton	1
③	CL4 Asphalt Surface 0.38A PG76-22	Ton	-
④	Perforated Pipe-4 In	Lin Ft	90
⑤	Perf Pipe Headwall TY 1-4 In	Each	1
⑥	PVC Pipe-4"	Lin Ft	40

- ① Payment For These Items Will Be Considered Full Compensation For All Work Shown On This Sheet.
- ② Quantity Included On The Pavement Summary.
- ③ Quantities Carried Forward To The General Summary.
- ④ CL4 Asphalt Base 1,000 PG76-22 Will Be Considered Incidental To The Other Bid Items Listed On This Sheet.

PAVEMENT SUBSURFACE DRAINAGE OUTLET



PERFORATED PIPE TRENCH DETAIL



395+00

**NOTE:**  
UNLESS DETAILED OTHERWISE ON THIS SHEET,  
THE EXISTING MARKING PATTERNS SHALL NOT CHANGE  
(UNLESS DIRECTED SO BY THE ENGINEER).



Ex. Sign (Do Not Disturb)

6" Dotted Lane  
Extension Markings  
(3'x9' Skips)

I-75 SB

I-75 NB

Ex. MM 103.4 Sign  
Sta 389 + 88.4

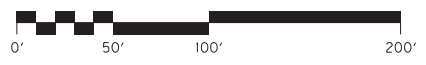


**LEGEND**

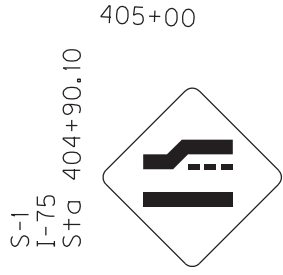
↙ Lane Reduction Arrow

↔ Traffic Flow Arrow \*

\* For Information Only





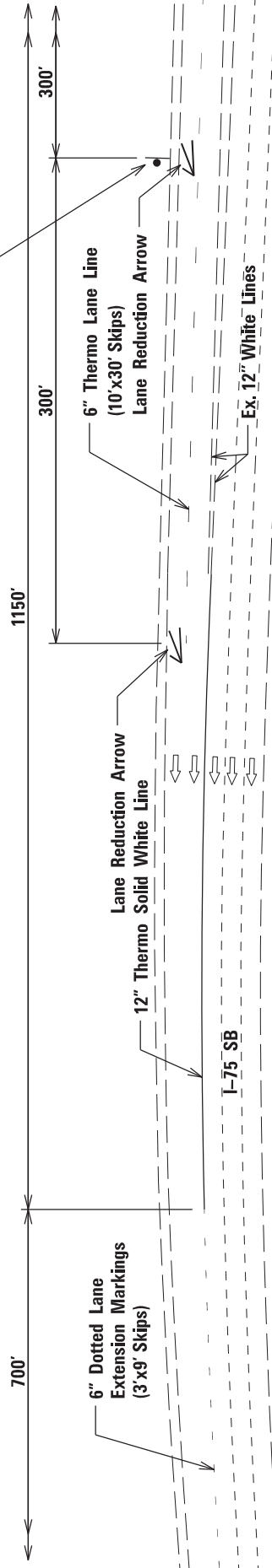


405+00

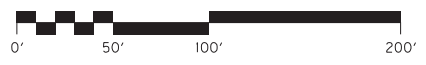
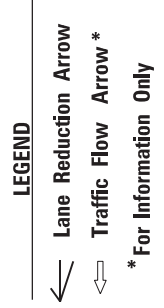
W4-2  
 48" x 48"

**NOTE:**  
 UNLESS DETAILED OTHERWISE ON THIS SHEET,  
 THE EXISTING MARKING PATTERNS SHALL NOT CHANGE  
 (UNLESS DIRECTED SO BY THE ENGINEER).

400+00



Ex. MM 103.6 Sign  
 Sta 400 + 44.6

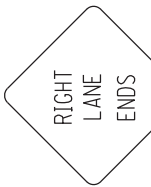


415+00

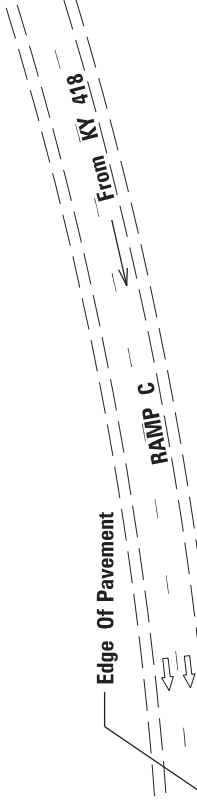
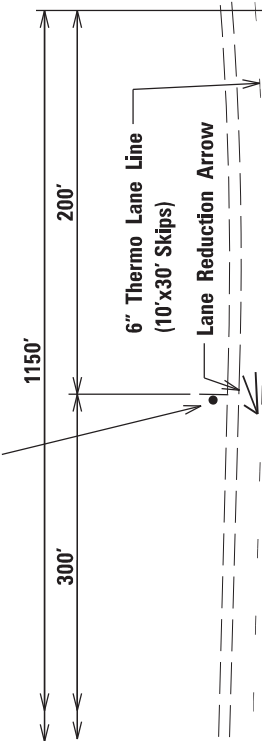
**NOTE:**  
 UNLESS DETAILED OTHERWISE ON THIS SHEET,  
 THE EXISTING MARKING PATTERNS SHALL NOT CHANGE  
 (UNLESS DIRECTED SO BY THE ENGINEER).

410+00

S-2  
 I-75  
 Sta 407+90.10



W9-1R  
 48" x 48"



Ex. Sign (Do Not Disturb)

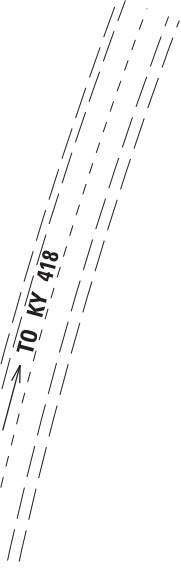
Grass

I-75 SB

I-75 NB

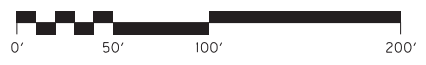
RAMP B

Ex. MM 103.8 Sign  
 Sta 410+91.3



**LEGEND**

- Lane Reduction Arrow
- Traffic Flow Arrow \*
- \* For Information Only



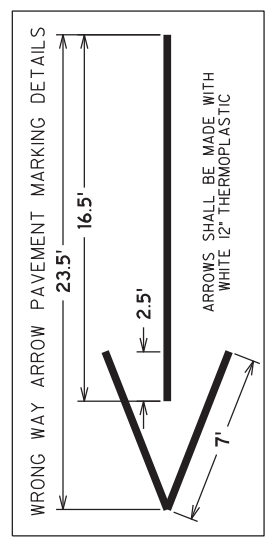
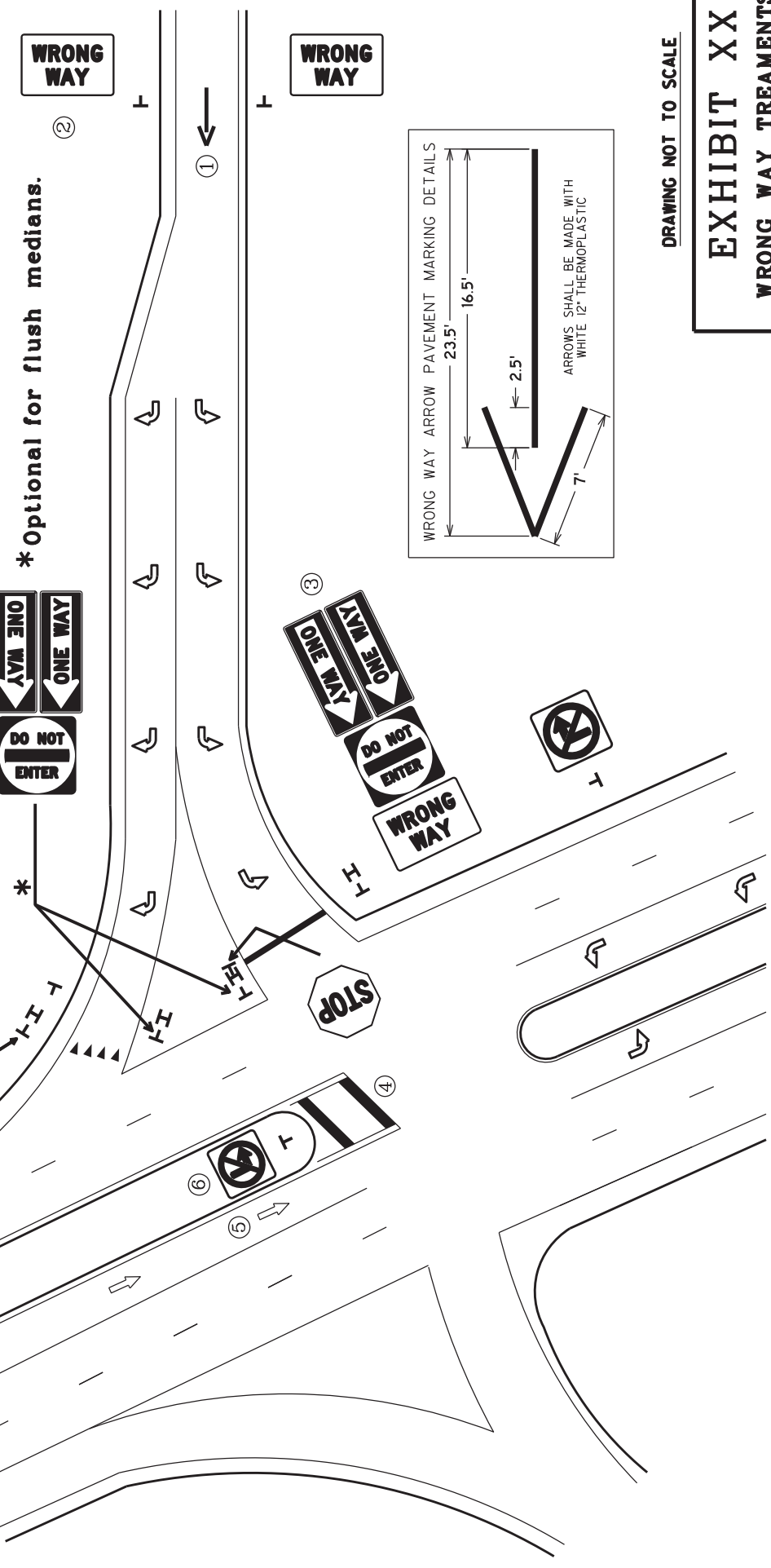
- ① WRONG WAY ARROW PAVEMENT MARKING SHOULD BE PLACED SO AS NOT TO INTERFERE WITH ANY TURN ARROWS. PLACE ONE ARROW PER LANE, WHERE APPLICABLE.
- ② "WRONG WAY" SIGNS SHOULD BE INSTALLED, DUAL-MOUNTED, ADJACENT TO WRONG WAY PAVEMENT ARROW(S). A SECOND SET OF DUAL-MOUNTED "WRONG WAY" SIGNS AND PAVEMENT MARKINGS MAY BE INSTALLED APPROXIMATELY 500 FEET UPSTREAM.
- ③ "ONE WAY," "WRONG WAY" AND "DO NOT ENTER" SIGNS SHOULD BE INSTALLED SO AS NOT TO CONFUSE DRIVERS. ASSEMBLY SHOULD BE INSTALLED AT AN ANGLE SO THE SIGN FACES ARE ONLY VISIBLE TO INTENDED DRIVERS. "ONE WAY" SIGNS SHALL BE DOUBLE-SIDED. A MOUNTING HEIGHT OF 3' TO THE BOTTOM EDGE OF THE "WRONG WAY"/"DO NOT ENTER" SIGN ASSEMBLY SHOULD BE USED.
- ④ MEDIAN CURBING OR STRIPING SHOULD BE EXTENDED TO DISCOURAGE DRIVERS FROM TURNING ONTO THE WRONG RAMP. REFER TO TPM-205 FOR GUIDANCE ON CROSS-HATCHING.
- ⑤ IN CASES WHERE A LEFT TURN LANE EXTENDS THROUGH AN UPSTREAM INTERSECTION, THROUGH ARROW PAVEMENT MARKINGS SHOULD BE USED TO KEEP DRIVERS FROM TURNING LEFT ONTO THE WRONG RAMP.
- ⑥ "NO LEFT TURN" SIGN SHOULD BE INSTALLED IN MEDIAN IF SUFFICIENT WIDTH IS AVAILABLE. IF THE INTERSECTION IS SIGNALIZED, THE SIGN SHOULD BE SPAN-MOUNTED.



SIGN SIZES	
R5-1	DO NOT ENTER 48"X48"
R5-1A	WRONG WAY 42"X30"
R6-1	ONE WAY 54"X18"
R3-1/2	NO RT/NO LT 36"X36"
R3-1/2	NO RT/NO LT 48"X48"

(span-mount)  
(ground-mount)

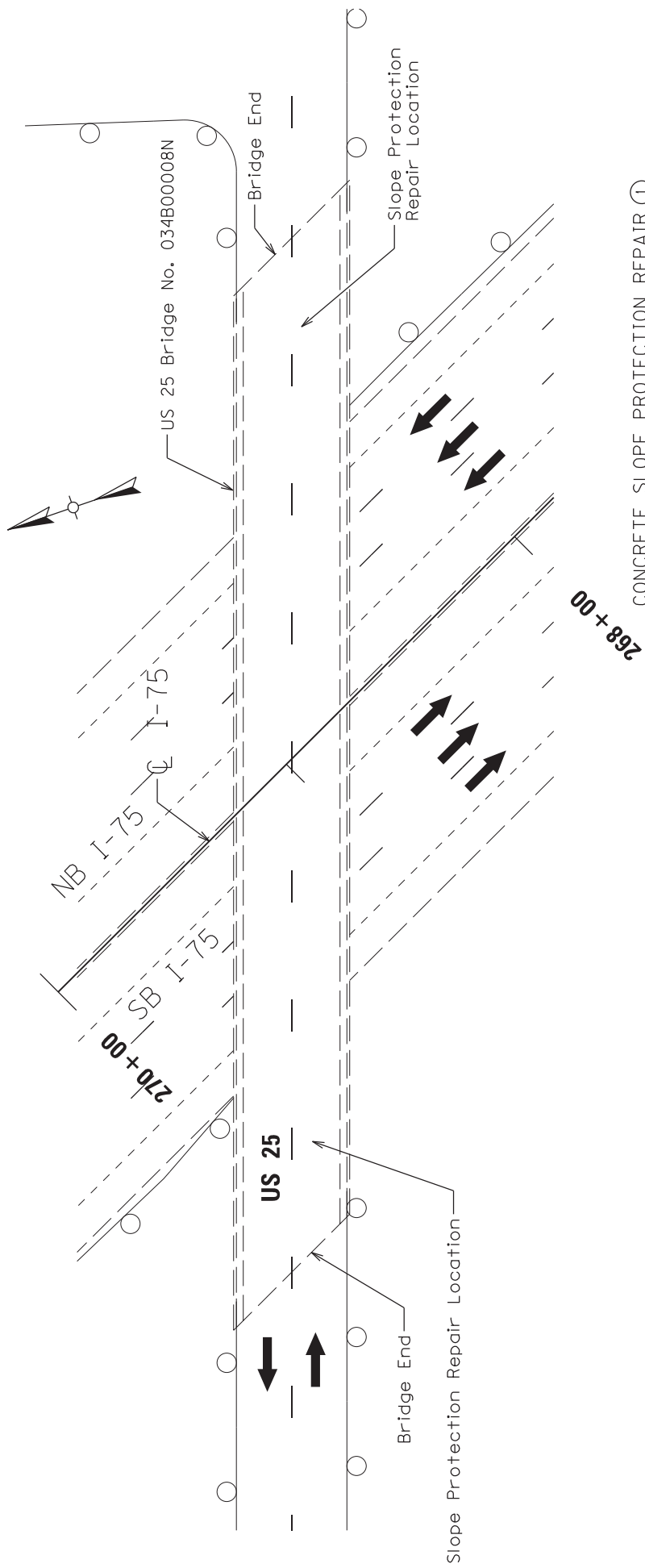
**\* Optional for flush medians.**



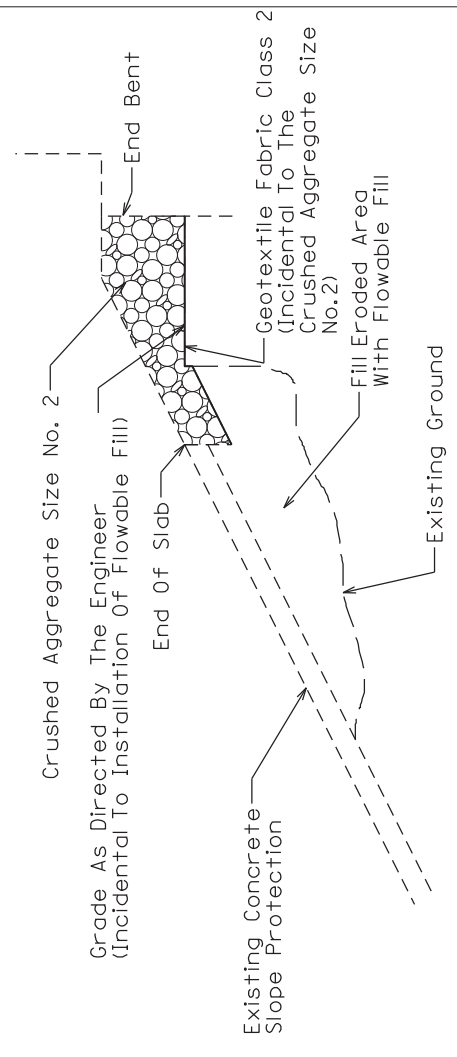
DRAWING NOT TO SCALE

**EXHIBIT XX**  
**WRONG WAY TREATMENTS**  
**AT DIAMOND INTERCHANGES**

# CONCRETE SLOPE PROTECTION REPAIR DETAIL



## CONCRETE SLOPE PROTECTION REPAIR ①



## ESTIMATED QUANTITIES

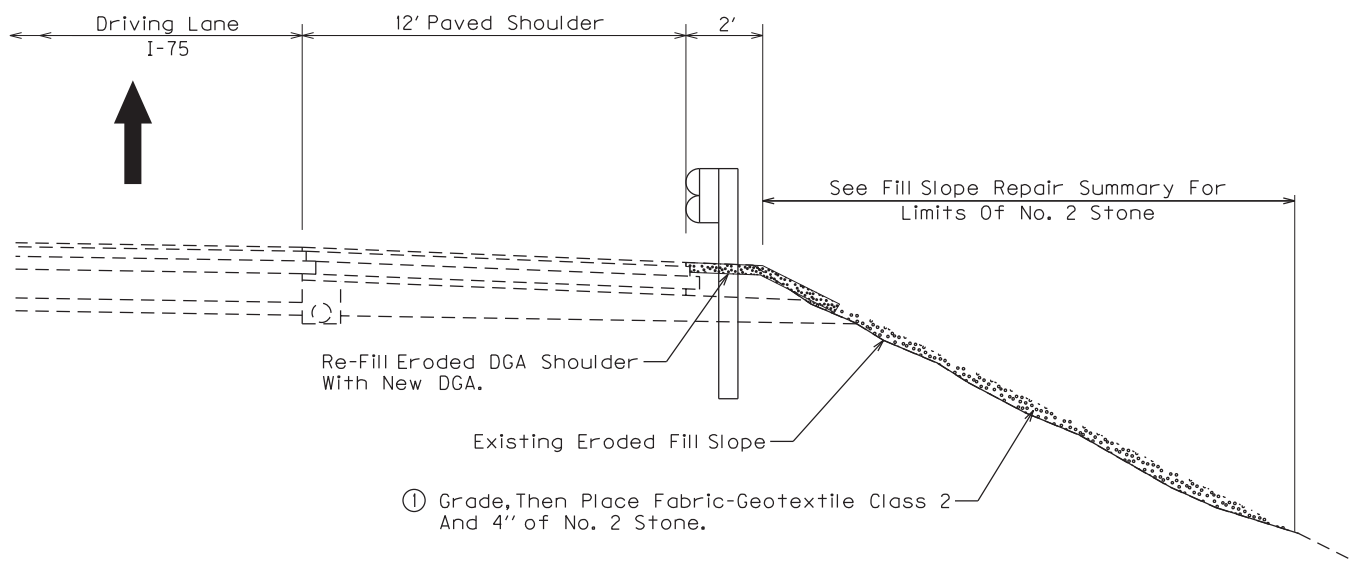
Code	Description	Unit	Quantity
① 2220	Flowable Fill	CY	35
② 78	Crushed Aggregate Size No. 2	TON	47

Quantities Carried Forward To The General Summary

- ① Detail Applies To Both Ends Of Bridge.  
25 CY Estimated For Southbound Slope Protection.  
10 CY Estimated For Northbound Slope Protection.
- ② Estimate At:  
19 Tons For Northbound Slope Protection  
28 Tons For Southbound Slope Protection

NOT TO SCALE

# FILL SLOPE EROSION REPAIR DETAIL DITCH DETAIL



**NOTES:**

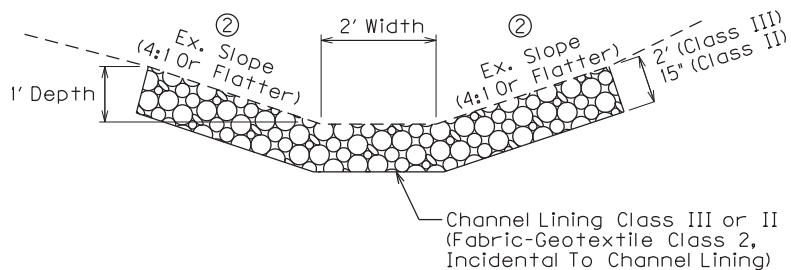
See The Fill Slope Erosion Repair Summary For Locations And Quantity Of No. 2 Stone.

Grading The Slope Prior To Placement Of No. 2 Stone Will Be Incidental To The Stone Bid Item. DGA Will Be Paid Per The Unit Bid Price.

A Quantity Of Channel Lining Class II Has Been Included On The General Summary For Filling In Deeply Eroded Areas Prior To Grading And Placing The No. 2 Stone.

- ① Furnishing And Placing The Fabric-Geotextile Class 2 After Grading The Existing Slope Will Be Considered Incidental To The No. 2 Stone.
- ② 2:1 Or Flatter When Behind Guardrail.

## DITCH DETAIL



NOT TO SCALE

COUNTY OF  
FAYETTE

ITEM NO.  
7-22(16.00)

SHEET  
11

# SIGNING

## ESTIMATE OF QUANTITIES

### NOTES :

- (1) PAYMENT FOR GROUND MOUNTED SIGN SUPPORTS TYPE A AND TYPE C SHALL BE BASED ON THE NOMINAL WEIGHT OF THE BEAMS. TYPE B SHALL BE BASED ON THE NOMINAL WEIGHT OF THE BEAMS. CONSIDERED INCIDENTAL QUANTITIES FOR TYPE C SUPPORTS SHALL INCLUDE ALL NECESSARY HARDWARE TO FORM COMPLETE BREAK-AWAY BEAMS. SEE PANEL SIGN DETAIL SHEET.
- (2) QUANTITY SHALL INCLUDE ALL COPY AND HARDWARE NECESSARY TO FORM COMPLETE SIGNS. NO DEDUCTION IN AREA IS TO BE MADE FOR ROUNDING OF CORNERS.
- (3) WITH PERMISSION OF THE ENGINEER, SHEETING SIGNS ON THE RAMPS AND SIDE ROADS MAY BE MOVED TO BE COMPATIBLE WITH THE EXISTING SIGNS.
- (4) QUANTITY IS ESTIMATED. THE EXACT LENGTH SHALL BE DETERMINED BY THE CONTRACTOR AND APPROVED BY THE ENGINEER.
- (5) WHERE REQUIRED, BRACING FOR SHEETING SIGNS SHALL BE INCIDENTAL TO STEEL POST. - SEE SHEETING SIGN DETAIL SHEET.
- (6) QUANTITY SHALL INCLUDE ALL MATERIAL NECESSARY TO FORM A COMPLETE BREAK-AWAY ASSEMBLY. TYPE J POSTS AND CONCRETE SHALL BE PROVIDED BY THE CONTRACTOR. SEE SHEETING SIGN DETAIL SHEET AND S.D. DWG. NO. R03-065-03.
- (7) QUANTITY SHALL INCLUDE SIGN AND POST.
- (8) ALL MATERIALS REMOVED AND NOT REUSED, SUCH AS SIGNS, SIGN LIGHTS, SIGN SUPPORTS, ETC. SHALL BECOME THE PROPERTY OF THE CONTRACTOR.
- (9) THE REMOVAL OF ALL TYPE I OR II POSTS AND ALL SHEETING SIGNS SHALL BE INCIDENTAL TO THE PROJECT WITH NO ADDITIONAL PAYMENT BEING ALLOWED. ALL MATERIAL SHALL BE STORED IN ACCORDANCE WITH NOTE (B) ABOVE.
- (10) WHERE THE REMOVAL OF OVERHEAD STRUCTURE CONCRETE BASE IS CALLED FOR, THE BASE IS TO BE REMOVED TO A MINIMUM OF ONE FOOT (1') BELOW THE GROUND LINE, BACKFILLED TO EXISTING GROUND LINE, AND THE DISTURBED AREAS RESEDED.
- (11) WHERE THE REMOVAL OF BEAM SIGN SUPPORTS IS CALLED FOR, THE BEAM AND ANY CONCRETE PROJECTING ABOVE THE GROUND LINE ARE TO BE CUT OFF A MINIMUM OF ONE FOOT (1') BELOW EXISTING GROUND LINE. THE REMOVED BEAM AND CONCRETE SHALL BE REMOVED COMPLETELY AND BACKFILLED TO EXISTING GROUND LINE.
- (12) QUANTITY SHALL INCLUDE W-BARS AND ALL HARDWARE NECESSARY FOR ATTACHING SIGNS TO SUPPORTS.
- (13) QUANTITY IS ESTIMATED. THE EXACT NUMBER SHALL BE DETERMINED BY THE CONTRACTOR AND APPROVED BY THE ENGINEER. SEE SIGNING POSITIONING DETAIL SHEET FOR BELINEATOR PLACEMENT.

ITEM	CODE NUMBER	UNIT	1-75	QUANTITY	TOTALS	ITEM	CODE NUMBER	UNIT	1-75	QUANTITY	TOTALS
GROUND MOUNTED SIGN SUPPORTS						OVERHEAD SIGN SUPPORTS (2)					
⊕ TYPE A	6400	LBS.				OSS ALUMINUM 60 FT TRUSS	6422	EACH			
⊕ TYPE C	6441	LBS.				OSS ALUMINUM 65 FT TRUSS	6424	EACH			
FOOTINGS FOR SIGNS						OSS ALUMINUM 70 FT TRUSS	6426	EACH			
CONCRETE - CLASS 'A' FOR SIGNS	6490	CU.YD.	0.92		0.92	OSS ALUMINUM 75 FT TRUSS	6436	EACH			
REINFORCEMENT STEEL	6491	LBS.				OSS ALUMINUM 80 FT TRUSS	6438	EACH			
SIGN BASE MATERIAL						OSS ALUMINUM 85 FT TRUSS	6443	EACH			
ALUMINUM						OSS ALUMINUM 90 FT TRUSS	6445	EACH			
② PANEL SIGNS	6405	50-FT.				OSS ALUMINUM 100 FT TRUSS	6455	EACH			
③ SHEETING SIGNS	6406	50-FT.				OSS ALUMINUM 105 FT TRUSS	6457	EACH			
0.080 GAUGE	6407	50-FT.	32		32	OSS ALUMINUM 110 FT TRUSS	6459	EACH			
0.125 GAUGE	6407	50-FT.	32		32	OSS ALUMINUM 115 FT TRUSS	6461	EACH			
STEEL POST (4)						OSS ALUMINUM 120 FT TRUSS	6463	EACH			
TYPE 1	6410	LN-FT.	60		60	OSS ALUMINUM 125 FT TRUSS	6465	EACH			
TYPE 2	6411	LN-FT.				OSS ALUMINUM 130 FT TRUSS	6467	EACH			
⑥ TYPE D	21596ND	EACH	4		4	OSS ALUMINUM 135 FT TRUSS	6469	EACH			
⑦ MILE MARKERS	6412	EACH				OSS ALUMINUM 140 FT TRUSS	6471	EACH			
REFERENCE MARKERS	4903	EACH				OSS GALV STEEL CANTILEVER MOD	6201	EACH			
DELINEATORS						OSS GALV STEEL CANTILEVER	6415	EACH			
WHITE	6413	EACH				SIGN BRIDGE ATTACHMENT BRACKET	6448	EACH			
AMBER	6414	EACH				MISCELLANEOUS					
REMOVAL ITEMS (8)						BARRIER MOUNTING BRACKET	4904	EACH			
REMOVE OVERHEAD SIGN SUPPORT STRUCTURE	6449	EACH				BARRIER WALL POST	20912ND	EACH			
⑨ REMOVE OVERHEAD SIGN SUPPORT STRUCTURE CONCRETE BASE	6450	EACH				ROADWAY CROSS SECTION	20419ND	EACH			
⑩ REMOVE SIGN SUPPORT BEAMS	6451	EACH				FLEXIBLE DELINEATOR POSTS					
REMOVE SIGN	21373ND	EACH				⊕ WHITE	6417	EACH			
MOVE CANTILEVER SIGN SUPPORT	20995ND	EACH				⊕ YELLOW	6418	EACH			
REMOVE AND RELOCATE SIGN	20418ED	EACH				STAKING	2726	L.S.			
STEEL "W" BEAM GUARDRAIL						FLASHING ARROW	2775	EACH			
SINGLE FACE	2351	LN-FT.				DEMOBILIZATION	2569	L.S.			
DOUBLE FACE	2352	LN-FT.				MAINTAIN & CONTROL TRAFFIC	2650	L.S.			
END TREATMENT TYPE 1	2367	EACH									
END TREATMENT TYPE 2A	2369	EACH									

SIGNING QUANTITY SHEET

SHEET	ITEM NO.	COMTY OF
12	7-22(16.00)	FAYETTE

# SIGNING SPECIFICATION NOTES

## THE FOLLOWING PUBLICATIONS ARE APPLICABLE TO THE WORK DESCRIBED HEREIN:

- KENTUCKY DEPARTMENT OF HIGHWAYS STANDARD SPECIFICATIONS FOR ROAD AND BRIDGE
- STANDARD HIGHWAY SIGNS AND MARKINGS (CURRENT EDITION) -- FEDERAL HIGHWAY ADMINISTRATION
- MANUAL ON UNIFORM TRAFFIC CONTROL DEVICES (CURRENT EDITION) -- FEDERAL HIGHWAY ADMINISTRATION

### SCOPE OF WORK

TO FURNISH, FABRICATE AND ERECT IN PLACE ALL MATERIALS NECESSARY TO FORM COMPLETED SIGNS AS INDICATED AT LOCATIONS DESCRIBED ELSEWHERE IN THESE PLANS. NEW SIGNS ARE TO BE INSTALLED AT EXISTING LOCATIONS UNLESS OTHERWISE NOTED ON THE PLANS.

### SIGN SUBSTRATES

SIGN SUBSTRATES SHALL CONFORM TO SECTION 833 OF KENTUCKY'S STANDARD SPECIFICATIONS FOR ROAD AND BRIDGE CONSTRUCTION (CURRENT EDITION) AND THESE PLANS. PANEL SIGNS SHALL BE LABELED AS P-\*, SHEETING SIGNS SHALL BE LABELED AS S-\*,

### SIGN MATERIALS

SIGN SHEETING SHALL CONFORM TO SECTION 830 OF KENTUCKY'S STANDARD SPECIFICATIONS FOR ROAD AND BRIDGE CONSTRUCTION (CURRENT EDITION) AND THESE PLANS. ONLY SHEETING ON THE DEPARTMENT'S LIST OF APPROVED MATERIALS SHALL BE USED.

ALL RETROREFLECTIVE MATERIALS SHALL BE FABRICATED AND ASSEMBLED IN ACCORDANCE WITH MANUFACTURER'S SPECIFICATIONS AND/OR RECOMMENDATIONS.

- PERMANENT SIGNS AND SIGN COMPONENTS SHALL BE FABRICATED USING TYPE XI SHEETING;
- THE FOLLOWING SIGNS SHALL BE FABRICATED USING TYPE XI FLUORESCENT YELLOW SHEETING:
  - HORIZONTAL ALIGNMENT SIGNS AND PLAQUES
  - ALL ADVISORY SPEED PLAQUES
  - WARNING MESSAGES ON PANEL SIGNS

### SIGN SHEETING

- THE FOLLOWING SIGNS SHALL BE FABRICATED USING TYPE XI FLUORESCENT YELLOW-GREEN SHEETING:
  - ALL SCHOOL AND SCHOOL BUS WARNING SIGNS,
  - BICYCLE WARNING SIGNS AND 'SHARE THE ROAD' PLAQUES OR DIAGONAL DOWNWARD POINTING 'ARROW PLAQUES THAT SUPPLEMENT BICYCLE WARNING SIGNS,
  - PEDESTRIAN WARNING SIGNS AND DIAGONAL DOWNWARD POINTING ARROW PLAQUES THAT SUPPLEMENT PEDESTRIAN WARNING SIGNS
  - IN-SIDE PEDESTRIAN CROSSING (R-6) SIGNS AND OVERHEAD PEDESTRIAN CROSSING (R-9) SIGNS LISTED ABOVE
  - SUPPLEMENTAL PLAQUES TO ANY OF THE PREVIOUSLY LISTED FLUORESCENT YELLOW-GREEN SIGNS LISTED ABOVE

ALL OTHER PERMANENT SIGNS (INCLUDING THE BACKGROUNDS OF PANEL SIGNS) SHALL BE FABRICATED USING TYPE XI SHEETING.

### LETTERS, SYMBOLS, AND BORDERS

PANEL OVERLAY SECTIONS SHALL BE AFFIXED WITH A POP RIVET WITH A MINIMUM DIAMETER OF 3/16 INCH, AND THE LENGTH SHALL BE AS NECESSARY TO PROPERLY APPLY COPY IN A WORKMANLIKE MANNER.

### HARDWARE

ALL HARDWARE FOR THE ASSEMBLY OF PANEL SIGNS AND THE ATTACHMENT OF THESE SIGNS TO THEIR SUPPORTS SHALL BE AS RECOMMENDED BY THE PANEL MANUFACTURER. PLACEMENT OF POST CLIP SHALL BE AS SHOWN ON THE SIGNING MISCELLANEOUS DETAIL SHEET.

ALL HARDWARE FOR THE ERECTION OF SHEETING SIGNS SHALL BE CADMIUM PLATED STEEL IN ACCORDANCE WITH ASTM B-776 AND ASTM A-307.

### FONT(S)

STANDARD ALPHABETS SHALL BE USED FOR ALL LEGENDS ON PANEL GUIDE SIGNS.

## GROUND-MOUNTED SIGN SUPPORTS

### GENERAL

ALL SIGNS SHALL BE POSITIONED AS SHOWN ON THE POSITIONING DETAIL SHEET. ALL BEAMS AND POSTS SHALL BE OF SUFFICIENT LENGTHS TO EXTEND FROM THE TOP OF THE SIGN TO THE REQUIRED BASE EMBEDED. EXISTING T-BEAMS ON WHICH SHEETING SIGNS ARE ATTACHED SHALL BE REMOVED AND REPLACED WITH TYPE I OR TYPE II POSTS, UNLESS THEY ARE LOCATED BEHIND GUARDRAIL.

### BEAMS

ALL BEAMS SHALL BE EITHER TYPE 'A' STANDARD BEAM INSTALLATION OR TYPE 'C' BREAKAWAY SIGN POST SUPPORT SYSTEMS INSTALLATION. TYPE 'A' BEAMS ARE SHOWN ON THE POSITIONING DETAIL SHEET. TYPE 'C' BEAMS ARE SHOWN ON THE SIGNING MISCELLANEOUS DETAIL SHEET. TYPE 'C' BEAM SUPPORT SYSTEMS ON THE DEPARTMENT'S LIST OF APPROVED MATERIALS SHALL BE USED. THE TYPE AND SIZE OF BEAM TO BE USED SHALL BE INDICATED FOR EACH PANEL SIGN ON THE SIGN DETAIL SHEETS. BEAM LENGTHS INCLUDED IN THESE PLANS ARE FOR INFORMATIONAL PURPOSES ONLY. THE CONTRACTOR SHALL TAKE FIELD MEASUREMENTS AT EACH SIGN LOCATION AND CROSS SECTIONS SHALL BE DEVELOPED TO VERIFY BEAM LENGTHS, WITH ANY DISCREPANCIES BROUGHT TO THE ATTENTION OF THE ENGINEER FOR RESOLUTION.

### STEEL POSTS

TYPE I STEEL POSTS SHALL BE EITHER STANDARD INSTALLATION IN SOIL WITH SOIL STABILIZER OR TYPE 'D' BREAKAWAY SIGN POST SUPPORT SYSTEMS INSTALLATION. ONLY BREAKAWAY TYPE 'D' POST SYSTEMS ON THE DEPARTMENT'S LIST OF APPROVED MATERIALS SHALL BE USED. BRACING, IF REQUIRED, SHALL BE INCIDENTAL TO TYPE I POST.

TYPE II POSTS SHALL BE STANDARD INSTALLATION IN SOIL WITH A SOIL STABILIZER. SHEETING SIGN DETAIL SHEET.

ALL STEEL POSTS SHALL MEET THE REQUIREMENTS OF SECTION 832 OF THE STANDARD SPECIFICATIONS FOR ROAD AND BRIDGE CONSTRUCTION.

### MILEPOST MARKERS AND ENHANCED REFERENCE MARKERS

THE GENERAL REQUIREMENTS SET FORTH IN THE MANUAL ON UNIFORM TRAFFIC CONTROL DEVICES (CURRENT EDITION), ADDITIONAL REQUIREMENTS ARE GIVEN ON THE SIGNING POSITIONING DETAIL SHEET AND ENHANCED REFERENCE LOCATION SIGNS DETAIL SHEET.

FOR THE LOUISVILLE AREA, FINAL LOCATION OF ENHANCED REFERENCE LOCATION SIGNS SHALL BE VERIFIED BY THE KY DOT. ANY REPRESENTATIVE OF TRIMARC AT LEAST TWO WEEKS IN ADVANCE OF BEGINNING WORK ON THIS ITEM.

90 WEST MAIN STREET  
LOUISVILLE, KY 40202  
502-587-6824  
270-307-1456

### MEDIAN CROSSOVER SIGNS

THE CONTRACTOR SHALL INSTALL 48" X 48" NO U-TURN SIGNS (R3-4) AT EACH MEDIAN CROSSOVER. THIS IS TO BE DONE WHETHER ALL NEEDED INSTALLATIONS ARE MENTIONED IN THE FOLLOWING SHEETS OR NOT. AT CROSSOVERS ON MEDIANS SIXTY FEET (60') WIDE OR LESS, THE SIGNS SHALL BE MOUNTED PERPENDICULAR TO THE ROADWAY ON THE SAME POSTS IN THE CENTER OF THE MEDIAN, ONE FACING TRAFFIC IN EACH DIRECTION. AT CROSSOVERS ON MEDIANS OVER SIXTY FEET (60') WIDE, THE SIGNS SHALL BE MOUNTED PERPENDICULAR TO THE ROADWAY ON SEPARATE POSTS AT THE MEDIAN SHOULDER ON THE FAR SIDE OF THE CROSSOVER, ONE FACING TRAFFIC IN EACH DIRECTION. FOR ADDITIONAL GUIDANCE, SEE SEPIA DRAWING FOR FLEXIBLE DELINEATOR POST ARRANGEMENT FOR INTERCHANGE RAMP AND CROSSOVERS.

### CONCRETE BASES

ALL CONCRETE BASES SHALL BE OF CLASS 'A' CONCRETE FOR SIGNS AND SHALL BE AS SHOWN ON THE SIGNING MISCELLANEOUS DETAIL SHEET. EXCAVATION NECESSARY TO CONSTRUCT BASES AND FOOTINGS IS INCIDENTAL TO THE COST OF CLASS 'A' CONCRETE FOR SIGNS.

### CONCRETE BASES (CONTINUED)

WHERE THE REMOVAL OF OVERHEAD STRUCTURE CONCRETE BASE IS CALLED FOR, THE BASE IS TO BE REMOVED TO A MINIMUM OF ONE FOOT (1') BELOW THE GROUND LINE, BACKFILLED TO EXISTING GROUND LINE, AND THE DISTURBED AREAS RESEDED.

WHERE THE REMOVAL OF BEAM SIGN SUPPORTS IS CALLED FOR, THE BEAM AND ANY CONCRETE PROJECTING ABOVE THE GROUND LINE ARE TO BE CUT OFF A MINIMUM OF ONE FOOT (1') BELOW EXISTING GROUND LINE OR THE ENTIRE BEAM AND CONCRETE BASE ARE TO BE REMOVED COMPLETELY AND BACKFILLED TO EXISTING GROUND LINE.

### SAMPLES; TESTING, ETC.

BEFORE BEGINNING INSTALLATION, THE CONTRACTOR SHALL FURNISH TO THE PROJECT ENGINEER DRAWINGS, DESCRIPTIONS, MANUFACTURER'S CUTS ETC. FOR WRITTEN APPROVAL OF ALL MATERIALS TO BE USED. MILL TEST REPORTS FOR BEAMS, STEEL PANELS, AND EACH DIFFERENT GAUGE OF ALUMINUM OR STEEL SHEETING USED MUST BE SUBMITTED TO THE DIVISION OF CONSTRUCTION AND APPROVED PRIOR TO ERECTION.

### MISCELLANEOUS

THE COST FOR REMOVING EXISTING PANEL SIGNS SHALL BE INCIDENTAL TO THE COST OF THE PROJECT.

ON SHEETING SIGNS WHERE THERE ARE MORE THAN ONE SIGN ASSEMBLY MOUNTED BESIDE EACH OTHER, THE POSTS SHALL BE SPACED TO PROVIDE APPROXIMATELY SIX INCHES (6") OF SPACING BETWEEN SIGNS.

CLEARING AND GRUBBING, AND TREE TRIMMING, WHEN REQUIRED FOR CONSTRUCTION OR VISIBILITY OF SIGNS, SHALL BE INCIDENTAL TO THE CONTRACT.

SIGN COVERING IS NOT RECOMMENDED. HOWEVER, IF IT IS ABSOLUTELY NECESSARY TO COVER THE SIGN FACE TEMPORARILY FOLLOWING ERECTION, USE CAUTION SINCE SOME COVERINGS MAY CAUSE PERMANENT DAMAGE TO THE SIGN FACE FOLLOWING EXPOSURE TO MOISTURE, SUNLIGHT, ETC.. POROUS CLOTH OR GEOTEXTILE FABRIC COVERS WHICH ARE FOLDDED OVER THE SIGN EDGES AND SECURED AT THE BACK OF THE SIGN HAVE BEEN USED SUCCESSFULLY FOR LIMITED PERIODS. DO NOT USE TAPE, PAPER, PLASTIC, OR SHEET METAL COVERS. SIGN COVERS ARE DAMAGED AS A RESULT OF COVERING. COVERS SHALL BE REPLACED BY THE CONTRACTOR AT NO ADDITIONAL COST TO THE DEPARTMENT.

TYPE I AND II STEEL POSTS IN SOIL SHALL BE DRIVEN 32" TO 34" BELOW THE GROUND LINE AS SHOWN. HOWEVER, IF SOLID ROCK IS ENCOUNTERED, THE CONTRACTOR SHALL DRILL HOLES OF THE REQUIRED DEPTH INTO THE ROCK AND BACKFILL WITH CONCRETE. THE HOLES SHALL BE INCIDENTAL TO STEEL POST, AND SOIL STABILIZERS WILL NOT BE REQUIRED.

ANY AREA DISTURBED SHALL BE SIDE GRADED TO THE EXISTING SLOPES AND RESEDED AND DIRECTED BY THE ENGINEER. AT NO ADDITIONAL COST TO THE DEPARTMENT.

REMOVE AND DO NOT REPLACE THE WHITE ON BLUE GENERAL SERVICES SIGNS AT THE EXIT RAMP TERMINALS, EMERGENCY STOPPING ONLY SIGNS, AND THE ROUTE MARKER THAT IS LOCATED INSIDE THE INTERCHANGE PAST THE EXIT GOPE AREA.

INSTALLATION OF ADVISORY EXIT AND RAMP SPEED SIGNS (M3-2 AND M3-3) SHALL CONFORM TO THE MANUAL ON UNIFORM TRAFFIC CONTROL DEVICES W02C01.

ALL EXISTING SHEETING SIGNS WITHIN THE LIMITS OF THIS PROJECT ARE TO BE REMOVED AND REPLACED WITH NEW SIGNS AND POSTS. SIGNS AND POSTS SHALL CONFORM TO CURRENT STANDARDS/SPECIFICATIONS. THE COST FOR REMOVING EXISTING SHEETING SIGNS AND POSTS, RELOCATING EXISTING SIGNS AND POSTS TO CONFORM TO THE SIGNING PLANS AND SPECIFICATIONS, AND ALL HARDWARE REQUIRED, SHALL BE INCIDENTAL TO THE PROJECT. IN ADDITION TO REPLACING ALL EXISTING SIGNS, ALL SIGNS SHOWN ON THE SIGNING PLANS MUST BE INSTALLED. FOR SIGN SIZES AND SPECIFICATIONS, SEE THE CURRENT PROJECT SIGNING PLAN DETAIL SHEETS.

THE COST FOR SIGN BRACKETS AND ANY OTHER HARDWARE REQUIRED TO ATTACH NEW SIGNS ON EXISTING TRUSSES AND CANTILEVERS SHALL BE INCLUDED IN THE UNIT PRICE OF SIGN BASE MATERIAL FOR PANEL SIGNS.

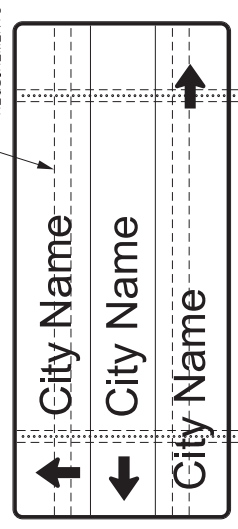
DUPLICATE SIGNS SHALL NOT BE DISPLAYED DURING THE CONSTRUCTION OF THIS PROJECT. SHEETING SIGNS (01-1, 01-2, 01-3) EQUAL TO OR LESS THAN 72" X 42" REQUIRE TWO TYPE I OR TYPE II POSTS.

THE HORIZONTAL CLEARANCE 'X' ON ALL THE SHEETING SIGNS SHOULD BE A MINIMUM OF TWO FEET FROM THE EDGE OF THE SHOULDER TO THE EDGE OF THE SIGN OR A MINIMUM OF FIVE FEET FROM THE EDGE OF THE SIGN TO THE EDGE OF THE TRAVELLED WAY AS SHOWN IN THE SIGNING POSITIONING DETAIL SHEET.

IF ANY SIGN IS LOCATED NEAR A LUMINAIRE OR ANOTHER POLE, IT SHALL BE INSTALLED IN ADVANCE OF THE POLE SO THAT THE MOTORIST'S VIEW OF THE SIGN WILL NOT BE OBSTRUCTED. SIGNS THAT DO NOT COMPLY WITH THE NOTED SHALL BE REMOVED BY THE CONTRACTOR AS APPROVED AND DIRECTED BY THE ENGINEER.

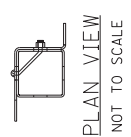
COUNTY OF	ITEM NO.	SHEET
FAYETTE	7-22(16.00)	T3

SEE SHEETING SIGN DETAIL SHEET 2 OF 2 FOR BRACING REQUIREMENTS

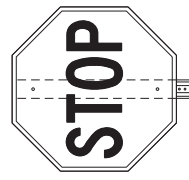


NOTE: SEE SIGN DETAIL SHEETS FOR QUANTITY, LENGTH, SIZE AND GAUGE OF TYPE I POSTS

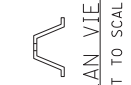
PLAN VIEW  
NOT TO SCALE



PLAN VIEW  
NOT TO SCALE

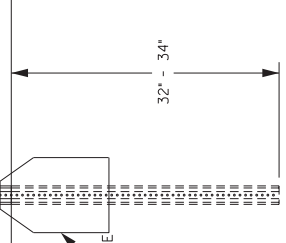


PLAN VIEW  
NOT TO SCALE

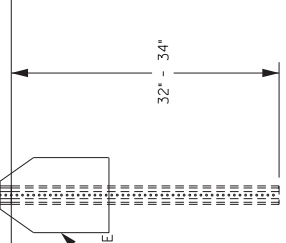


PLAN VIEW  
NOT TO SCALE

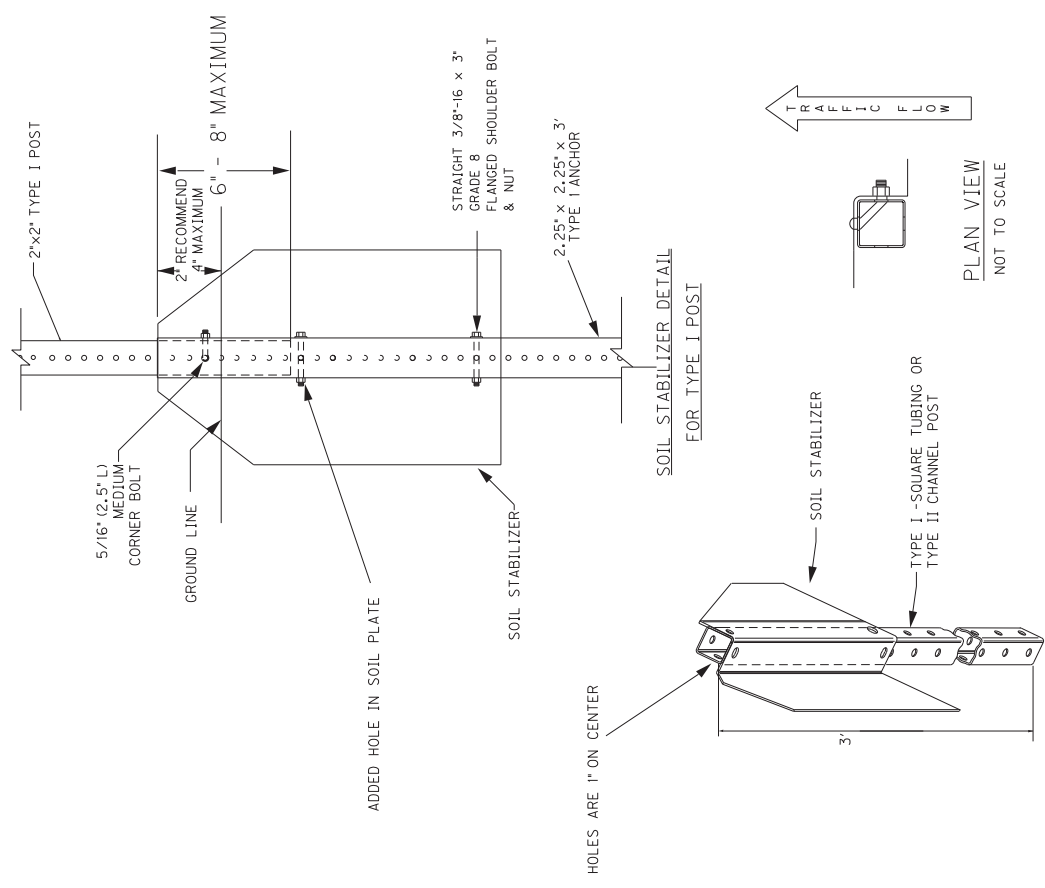
FOR SIGN INSTALLATIONS NOT EMBEDDED IN CONCRETE, INSTALL SOIL STABILIZING PLATE ON BACKSIDE OF POST FROM TRAFFIC FLOW



TYPE I  
SQUARE TUBING POST  
WITH SOIL STABILIZER



TYPE II  
CHANNEL POST  
WITH SOIL STABILIZER



SOIL STABILIZER DETAIL

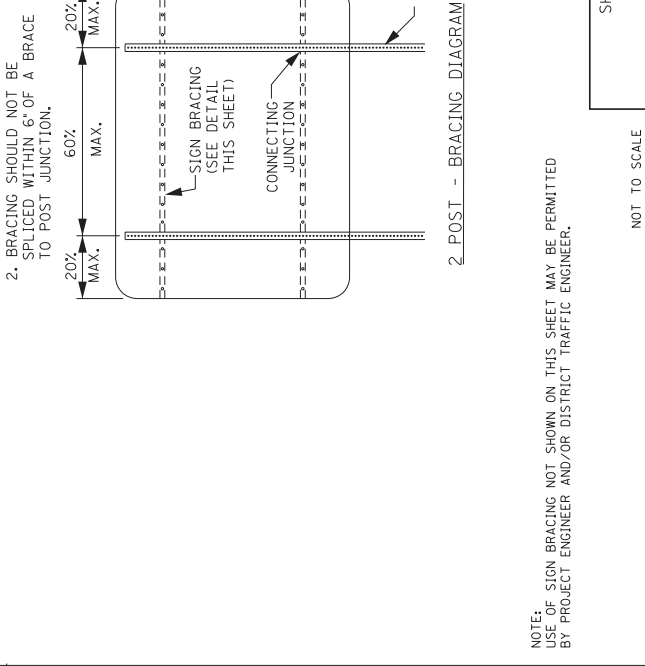
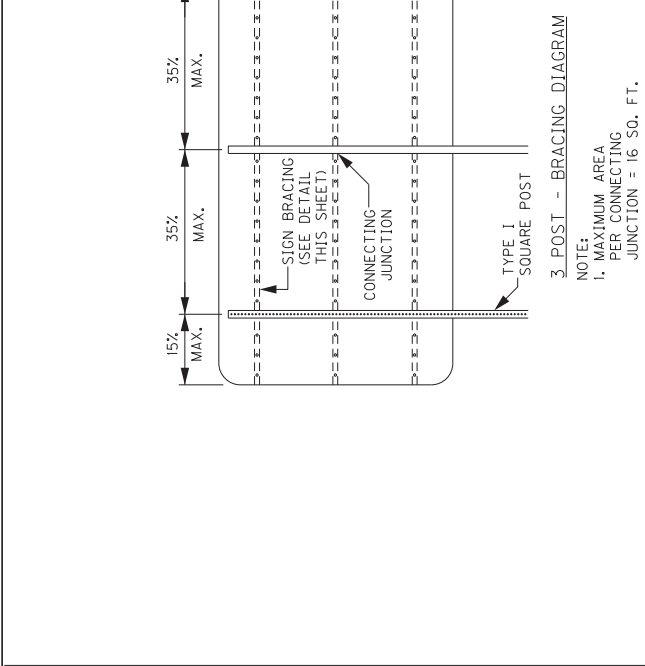
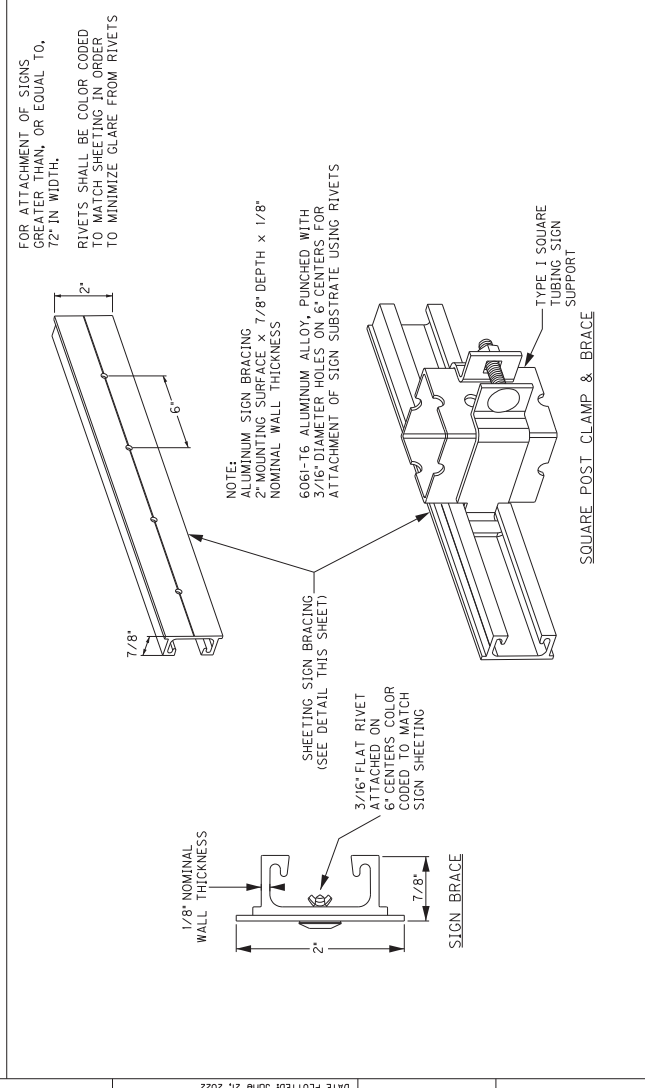
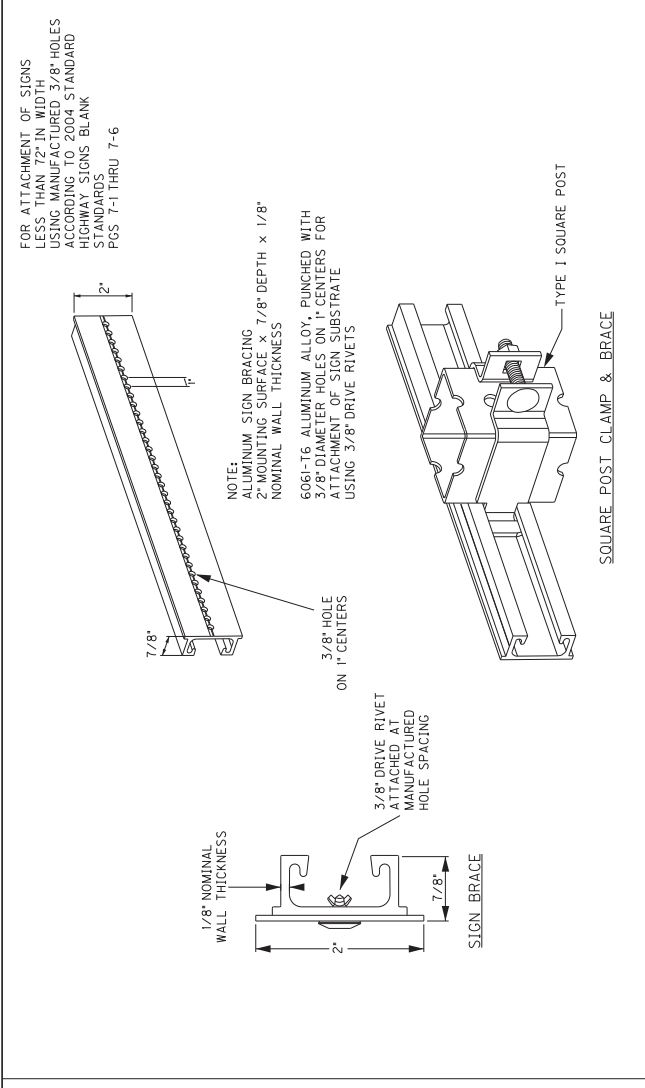
SOIL STABILIZER DETAIL  
FOR TYPE I POST

SOIL STABILIZER DETAIL  
NOT TO SCALE

SOIL STABILIZER DETAIL  
NOT TO SCALE



COMTY OF	ITEM NO.	SHEET
FAYETTE	7-2216.00	14



SHEETING SIGN DETAIL  
SHEET 2 OF 2

NOT TO SCALE



066  
15

COMTY OF  
FAYETTE

ITEM NO.  
7-22(16.00)

SHEET  
15

SHEETING SIGNS DETAIL SHEET

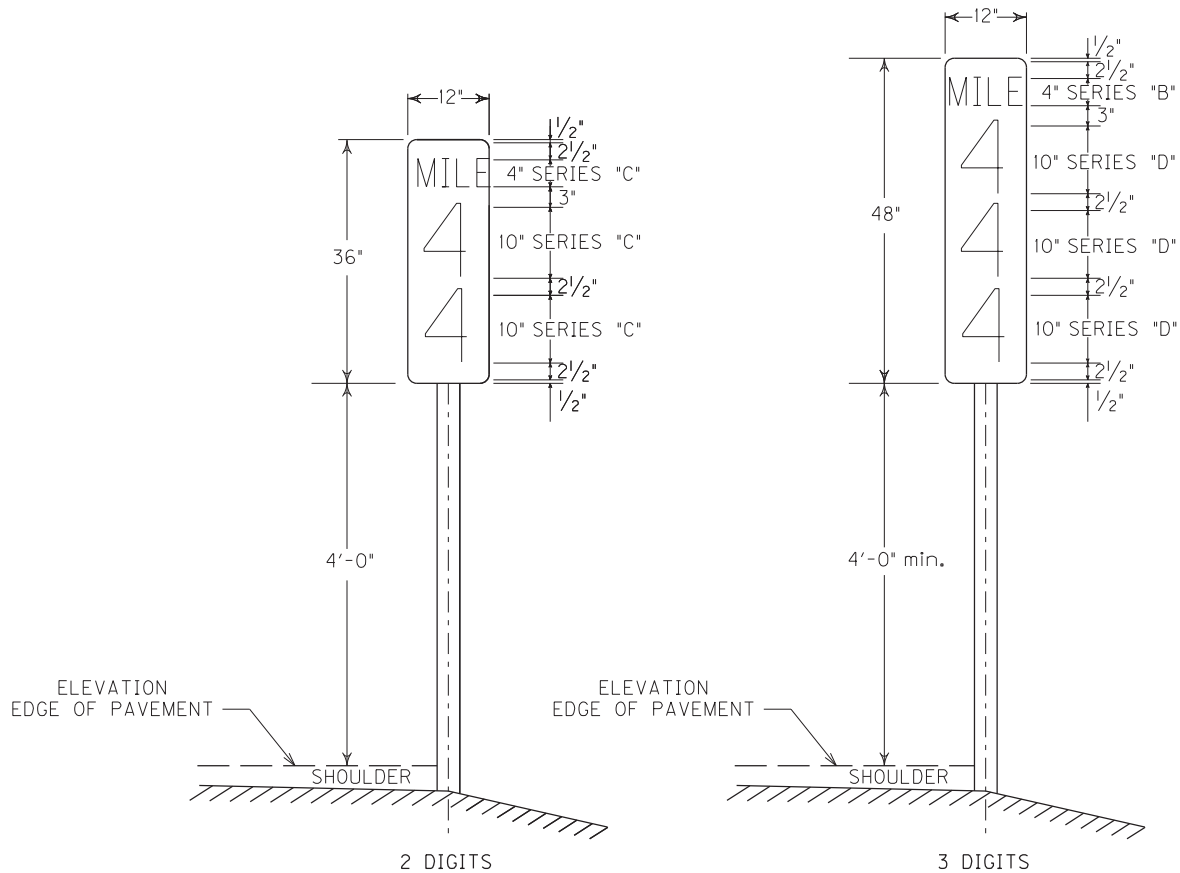
SIGN/SIGN ASSEMBLY NUMBER	SIZES IN INCHES HORIZ. VERT.	MESSAGES	SPECIFICATION	SIGN LOCATION			SIGN/SIGN ASSEMBLY NUMBER	SIZES IN INCHES HORIZ. VERT.	MESSAGES	SPECIFICATION	SIDE OF ROAD	FACING TRAFFIC TRAVELING	SIGN LOCATION ON ROAD	AT STATION (APPROXIMATE)	
				SIDE OF ROAD	FACING TRAFFIC TRAVELING	ON ROAD									
S-1	48 48		W4-2R (16 SF)	RT	SB	I-75	404+90.10								
			2 Type I Posts with Type D Supports												
			0.46 CY Concrete												
			See The 'I-75 SB Exit 104 Entrance Ramp Striping' Plans For Location.												
S-2	48 48		W9-1 (16 SF)	RT	SB	I-75	407+90.10								
			2 Type I Posts with Type D Supports												
			0.46 CY Concrete												
			See The 'I-75 SB Exit 104 Entrance Ramp Striping' Plans For Location.												

SPECIAL NOTES:  
 1. THE COLORS SHALL BE AS SHOWN IN THE "MANUAL ON UNIFORM TRAFFIC CONTROL DEVICES" AND "STANDARD HIGHWAY SIGNS".  
 2. SHEETING SIGNS SHALL BE FABRICATED FROM 0.125 GAUGE MATERIAL IF ANY DIMENSION IS GREATER THAN 36" (THIRTY-SIX INCHES), OTHERWISE 0.080 GAUGE MATERIAL SHALL BE USED.  
 3. SHEETING SIGNS SHALL BE MOUNTED ON TYPE I POSTS, WITH SOIL STABILIZER, UNLESS OTHERWISE NOTED. SEE THE SHEETING SIGN DETAILS FOR MORE INFORMATION.

\* EXACT LOCATION TO BE DETERMINED BY THE ENGINEER.

SHEETING SIGN DETAIL SHEET

# MILEPOST SIGN DETAIL AND SUMMARY



## TYPICAL SIGN PANEL DIMENSIONS AND MILEPOST LOCATION

MILE POINT LOCATIONS FOR NORTHBOUND DIRECTION	NUMBER OF MILE POSTS
98	1
105	1
106	1
107	1

MILE POINT LOCATIONS FOR SOUTHBOUND DIRECTION	NUMBER OF MILE POSTS
100	1
101	1
105	1
106	1
107	1

BID ITEM	DESCRIPTION	UNIT	TOTAL
6412	STEEL POST MILE MARKERS	EACH	9

**NOTES:**

THE LOCATIONS OF MILE MARKERS TO BE DETERMINED BY THE ENGINEER.  
QUANTITY CARRIED FORWARD TO THE GENERAL SUMMARY.

Permanent Traffic Data Acquisition Station  
 Estimate Of Quantities

Revised March 2022

**PERMANENT TRAFFIC DATA ACQUISITION STATIONS  
 ESTIMATE OF QUANTITIES**

Bid Item Code	Description	Unit	Quantity
4793	CONDUIT 1 ¼ INCH	LIN FT	160
4795	CONDUIT 2 INCH	LIN FT	40
4811	ELECTRICAL JUNCTION BOX TYPE B	EACH	
4820	TRENCHING AND BACKFILLING	LIN FT	180
4821	OPEN CUT ROADWAY	LIN FT	
4829	PIEZOELECTRIC SENSOR	EACH	24
4830	LOOP WIRE	LIN FT	5800
4833	WIRE – NO. 8	LIN FT	
4834	WIRE – NO. 6	LIN FT	
4850	CABLE NO. 14/1 PAIR	LIN FT	
4871	POLE – 35’ WOODEN	EACH	
4895	LOOP SAW SLOT AND FILL	LIN FT	1300
4899	ELECTRICAL SERVICE	EACH	
4960	REMOVE AND REPLACE SIDEWALK	SQYD	
20213EC	INSTALL PAD MOUNT ENCLOSURE	EACH	
20359NN	GALVANIZED STEEL CABINET	EACH	4
20360ES818	WOOD POST	EACH	8
20391NS835	ELECTRICAL JUNCTION BOX TYPE A	EACH	4
20392NS835	ELECTRICAL JUNCTION BOX TYPE C	EACH	
20468EC	ELECTRICAL JUNCTION BOX 10x8x4	EACH	
21543EN	BORE AND JACK CONDUIT	LIN FT	
23206EC	INSTALL CONTROLLER CABINET	EACH	
24963ED	LOOP TEST	EACH	

FAYETTE CO. I-75 ~m.p. 98.01  
 ~LAT/LONG N 37.88616, W 84.34234  
 STATION 353

SITE LOCATION IS APPROXIMATE AND WILL BE DETERMINED IN THE FIELD AND APPROVED BY DIVISION OF PLANNING PERSONNEL PRIOR TO ANY CONSTRUCTION.

ALL LOOPS SHALL BE 6'X6' SQUARE AND SHALL BE INSTALLED 16' FROM LEADING EDGE TO LEADING EDGE AS SHOWN. PIEZOELECTRIC SENSORS (PIEZOS) SHALL BE INSTALLED 5' FROM THE EDGE OF LOOPS WITH THE EDGE OF EACH PIEZO FLUSH WITH THE EDGE OF THE CORRESPONDING DRIVING LANE. LOOPS AND PIEZOS SHALL BE INSTALLED SPLICE-FREE TO THE CABINET AND A MINIMUM OF 2' OF WIRE FOR EACH SENSOR SHALL BE COILED INSIDE EACH JUNCTION BOX AND CABINET. ALL LOOPS AND PIEZOS SHALL BE LABELED IN ALL JUNCTION BOXES AND CABINET. DIVISION OF PLANNING PERSONNEL WILL CONNECT THE LOOPS AND PIEZOS INSIDE THE CABINET.

INSTALL ONE (1) 1 1/4" CONDUIT FROM EACH SAW SLOT TO NEAREST JUNCTION BOX.

INSTALL TWO (2) TYPE A JUNCTION BOXES (JB A1 AND A2).

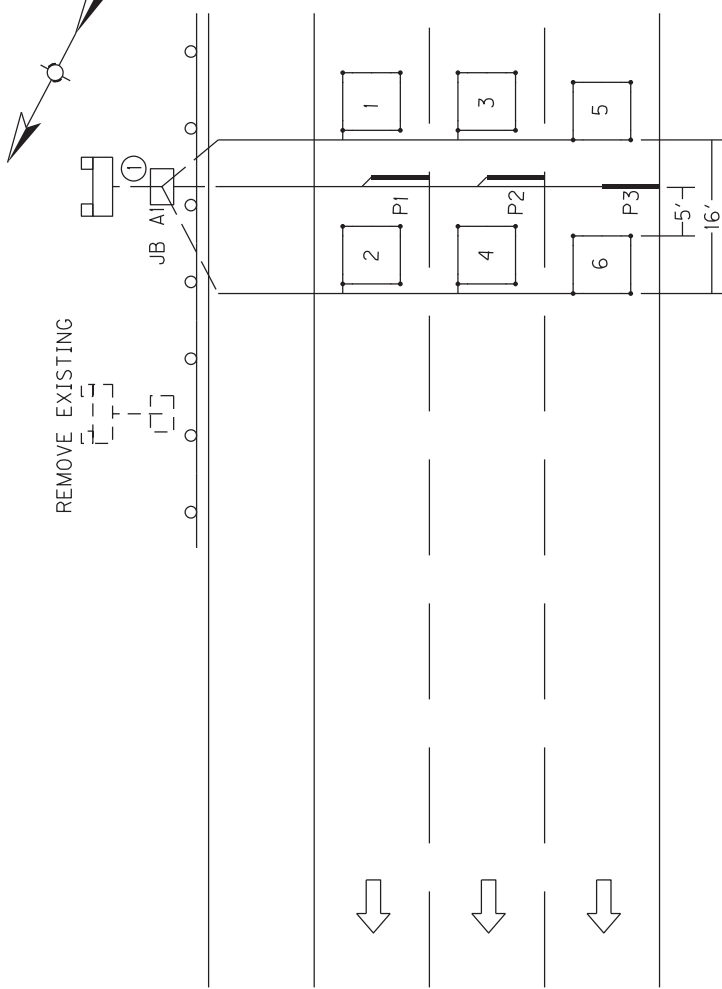
INSTALL TWO (2) 20"X20"X8" CABINETS MOUNTED TO TWO (2) WOOD POSTS (EACH).

REMOVE OLD CABINETS, POSTS, WIRE AND JUNCTION BOXES AND DISPOSE OF OFF THE PROJECT.

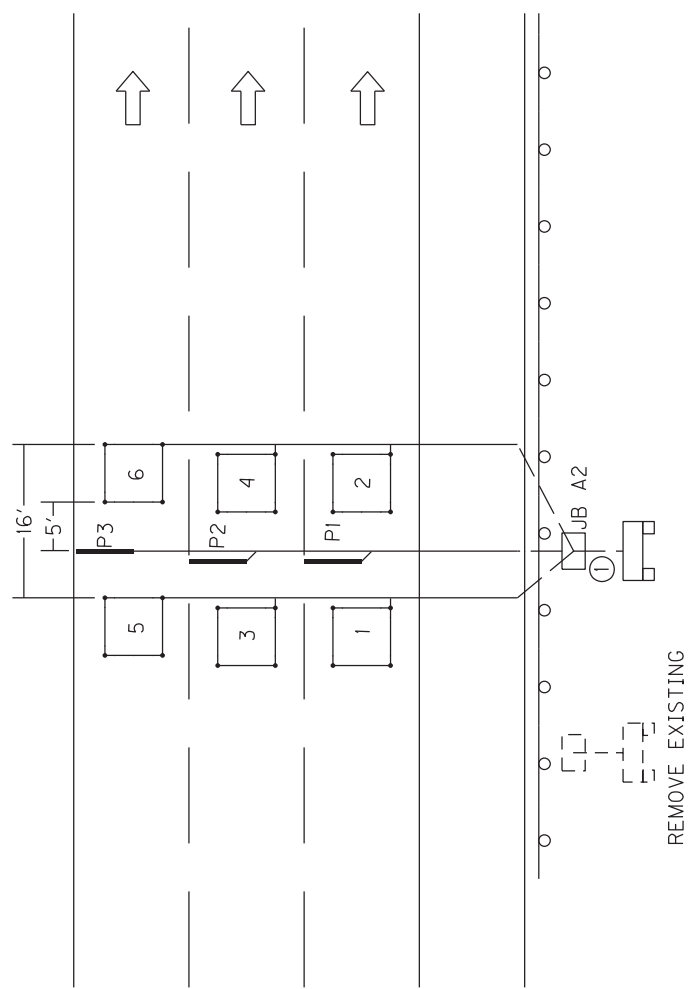
CODED NOTE:

① INSTALL ONE (1) 2" CONDUIT.

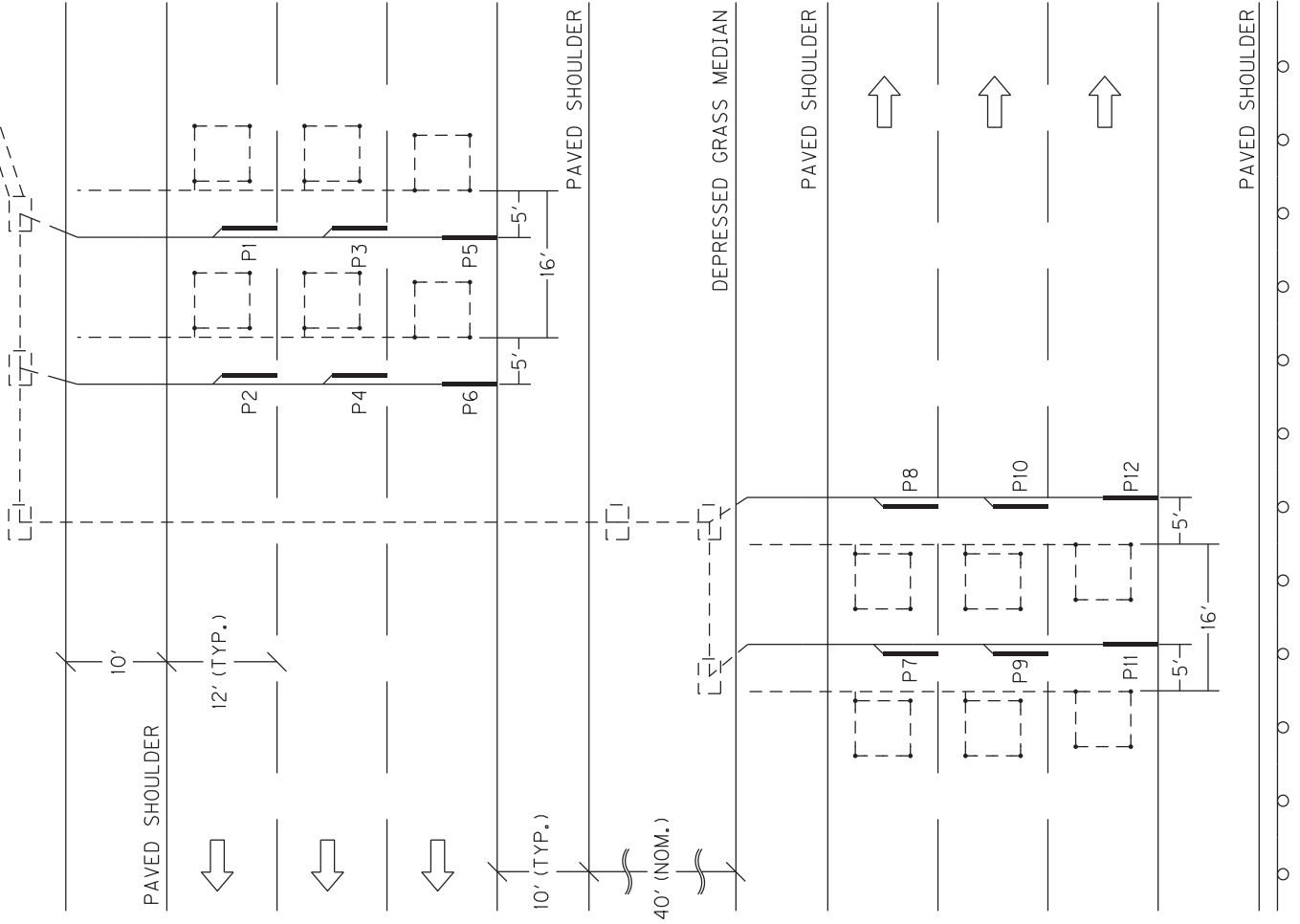
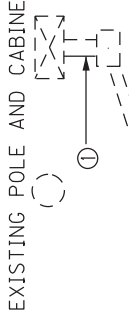
REMOVE EXISTING



MEDIAN BARRIER WALL



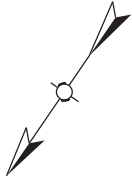
FAYETTE CO. I-75 ~m.p. 100.22  
~LAT/LONG N 37.91379, W 84.36420  
STATION P90



SITE LOCATION IS APPROXIMATE AND WILL BE DETERMINED IN THE FIELD AND APPROVED BY DIVISION OF PLANNING PERSONNEL PRIOR TO ANY CONSTRUCTION.

DO NOT DISTURB EXISTING LOOPS (SHOWN IN DOTTED LINES). PIEZOELECTRIC SENSORS (PIEZOS) SHALL BE PLACED IN THE SAME LOCATION AS THE OLD ONES AND INSTALLED BETWEEN THE EXISTING LOOPS WITH THE EDGE OF EACH PIEZO FLUSH WITH THE EDGE OF THE CORRESPONDING DRIVING LANE AND SHALL BE 16' FROM LEADING EDGE TO LEADING EDGE. PIEZOS SHALL BE INSTALLED SPLICE-FREE TO THE CABINET. A MINIMUM OF 2' OF WIRE FOR EACH SENSOR SHALL BE COILED INSIDE EACH JUNCTION BOX AND A MINIMUM OF 6' AND A MAXIMUM OF 8' OF WIRE FOR EACH SENSOR SHALL BE COILED INSIDE THE CABINET. ALL AND PIEZOS SHALL BE LABELED IN ALL JUNCTION BOXES AND CABINET. DIVISION OF PLANNING PERSONNEL WILL CONNECT THE PIEZOS INSIDE THE CABINET.

REUSE EXISTING JUNCTION BOXES AND CONDUIT LEADING TO THE CABINET FOR THE NEWLY INSTALLED PIEZOS. LOOP WIRE IN THE JUNCTION BOXES, CONDUIT AND CABINET SHALL NOT BE DISTURBED. OLD EXISTING PIEZO WIRES IN THE JUNCTION BOXES, CONDUIT AND CABINET SHALL BE REMOVED TO MAKE ROOM FOR THE NEWLY INSTALLED PIEZOS.



FAYETTE CO. I-75 ~m.p. 106.29  
~LAT/LONG N 37.99565, W 84.39711  
STATION 336

SITE LOCATION IS APPROXIMATE AND WILL BE DETERMINED IN THE FIELD AND APPROVED BY DIVISION OF PLANNING PERSONNEL PRIOR TO ANY CONSTRUCTION.

ALL LOOPS SHALL BE 6'X6' SQUARE AND SHALL BE INSTALLED 16' FROM LEADING EDGE TO LEADING EDGE AS SHOWN. PIEZOELECTRIC SENSORS (PIEZOS) SHALL BE INSTALLED 5' FROM THE EDGE OF LOOPS WITH THE EDGE OF EACH PIEZO FLUSH WITH THE EDGE OF THE CORRESPONDING DRIVING LANE. LOOPS AND PIEZOS SHALL BE INSTALLED SPICE-FREE TO THE CABINET AND A MINIMUM OF 2' OF WIRE FOR EACH SENSOR SHALL BE COILED INSIDE EACH JUNCTION BOX AND CABINET. ALL LOOPS AND PIEZOS SHALL BE LABELED IN ALL JUNCTION BOXES AND CABINET. DIVISION OF PLANNING PERSONNEL WILL CONNECT THE LOOPS AND PIEZOS INSIDE THE CABINET.

INSTALL ONE (1) 1/4" CONDUIT FROM EACH SAW SLOT TO NEAREST JUNCTION BOX.

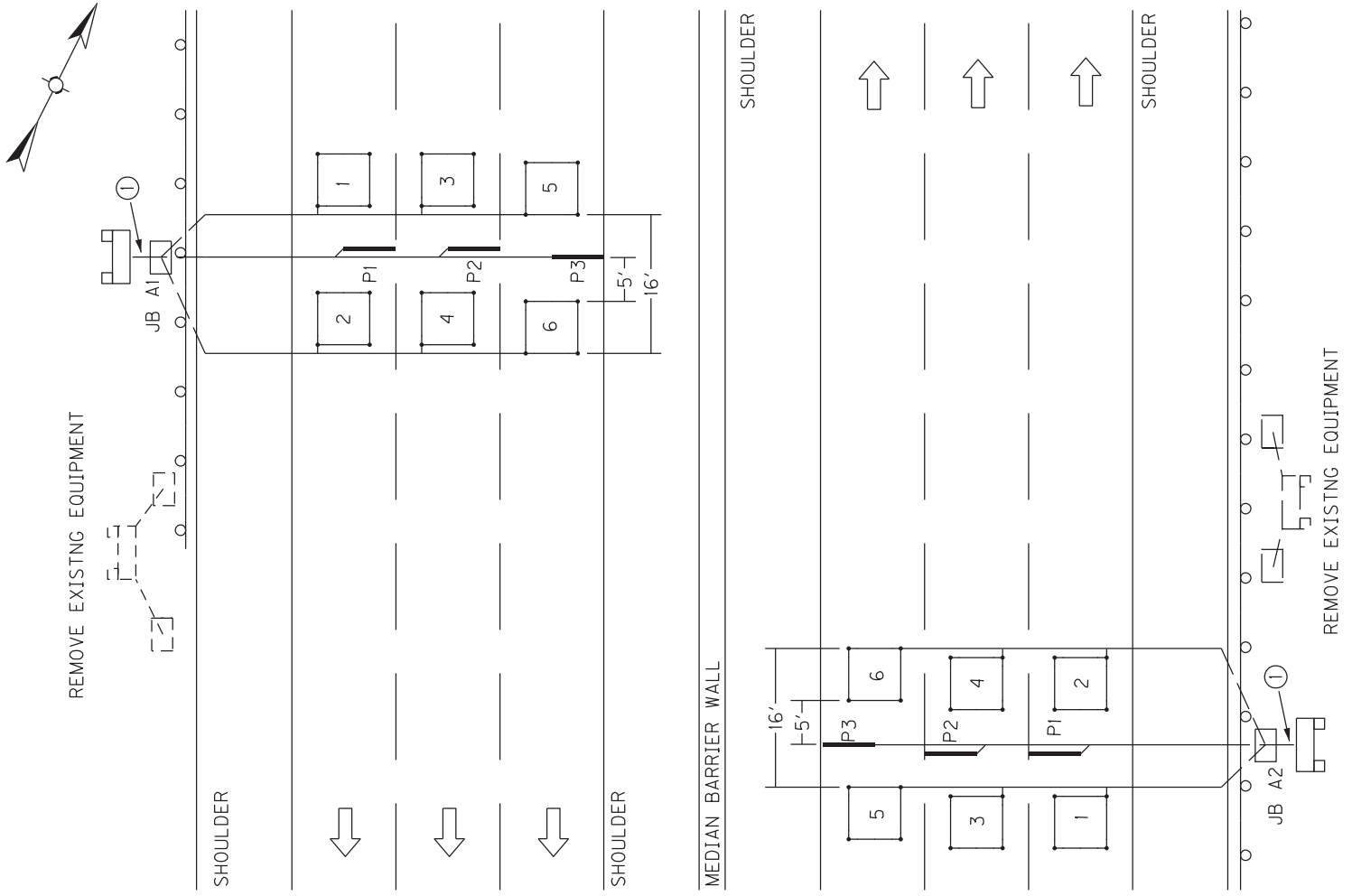
INSTALL TWO (2) TYPE A JUNCTION BOXES (JB A1 AND A2).

INSTALL TWO (2) 20"X20"X8" CABINETS MOUNTED TO TWO (2) WOOD POSTS (EACH).

REMOVE OLD CABINETS, POSTS, WIRE AND JUNCTION BOXES AND DISPOSE OF OFF THE PROJECT.

CODED NOTE:

① INSTALL ONE (1) 2" CONDUIT.



## **MATERIAL, INSTALLATION, AND BID ITEM NOTES FOR PERMANENT TRAFFIC DATA ACQUISITION STATIONS**

---

### **1. DESCRIPTION**

Except as specified in these notes, all work shall consist of furnishing and installing all materials necessary for permanent data acquisition station equipment installation(s) and shall be performed in accordance with the current editions of:

- The Contract
- Division of Planning Standard Detail Sheets
- Kentucky Transportation Cabinet, Department of Highways, *Standard Specifications for Road and Bridge Construction*
- Kentucky Transportation Cabinet, Department of Highways, Standard Drawings
- National Fire Protection Association (NFPA) 70: *National Electrical Code*
- Institute of Electrical and Electronic Engineers (IEEE), *National Electrical Safety Code*
- Federal Highway Administration, *Manual on Uniform Traffic Control Devices*
- American Association of State Highway and Transportation Officials (AASHTO), *Roadside Design Guide*.
- Standards of the utility company serving the installation, if applicable

The permanent traffic data acquisition station layout(s) indicate the extent and general arrangement of the proposed installation and are for general guidance. Any omission or commission shown or implied shall not be cause for deviation from the intent of the plans and specifications. Information shown on the plans and in this proposal and the types and quantities of work listed are not to be taken as an accurate or complete evaluation of the material and conditions to be encountered during construction. The bidder must draw his own conclusion as to the conditions encountered. The Department of Highways (Department) does not give any guarantee as to the accuracy of the data and no claim will be considered for additional compensation if the conditions encountered are not in accordance with the information shown. If any modifications of the plans or specifications are considered necessary by the Contractor, details of such modifications and the reasons, therefore, shall be submitted in writing to the Engineer for written approval prior to beginning such modified work.

The Contractor shall contact all utility companies and the district utility agent prior to beginning construction to insure proper clearance and shielding from existing and proposed utilities. The Contractor shall use all possible care in excavating on this project so as not to disturb any existing utilities whether shown on the plans or not shown on the plans. Any utilities disturbed or damaged by the Contractor during construction shall be replaced or repaired to original condition by the Contractor at no cost to the department. If necessary, to avoid existing utilities, the Contractor shall hand dig areas where poles or conduit cross utilities.



Material, Installation, and Bid Item Notes for  
Permanent Traffic Data Acquisition Stations

Revised March 2022

The Contractor shall be responsible for all damage to public and/or private property resulting from his work.

The Contractor shall inspect the project site prior to submitting a bid and shall be thoroughly familiarized with existing conditions. Submission of a bid will be considered an affirmation of this inspection having been completed. The Department will not honor any claims resulting from site conditions.

## 2. MATERIALS

All proposed materials shall be approved prior to being utilized. The Contractor shall submit for material approval an electronic file of descriptive literature, drawings and any requested design data for the proposed materials. After approval, no substitutions of any approved materials may be made without the written approval of the Engineer.

Materials requiring sampling shall be made available a sufficient time in advance of their use to allow for necessary testing.

### 2.1. Anchoring

#### 2.1.1. Anchor and Anchor Rod

Anchor, except rock anchor, shall be expanding type, with a minimum area of 135 square inches.

Anchor rod shall be galvanized steel, double-eye, have a minimum diameter of 5/8 inches, and a minimum length of 84 inches. Minimum holding capacity shall be 15,400 lbs.

Rock anchor shall be galvanized steel, triple-eye, expanding type, with a minimum diameter of 3/4 inch, a minimum 53 inches long, and a minimum tensile strength of 23,000 lb.

#### 2.1.2. Guy Wire and Guy Guard

Guy wire shall be Class A, Zinc-coated, 3/8 inch diameter, high strength grade steel (minimum 10,800 lb.) and galvanized per ASTM A475. Guy guard shall be 8' long, fully-rounded, yellow, and able to be securely attached to the guy wire.

#### 2.1.3. Strandwise for Guy Wire

Strandwise for guy wire shall be 3/8 inch and rated to hold a minimum of 90% of the rated breaking strength (RBS) of the strand used.

### 2.2. Asphalt

Asphalt shall be a minimum CL2 Asph Surf 0.38B PG64-22 and conform to the *Standard Specifications for Road and Bridge Construction*.

### 2.3. Backer Rod

Backer rod shall be 1/2 inch diameter, closed cell polyethylene foam and shall meet or exceed the following physical properties:

- Density (average): 2.0 lbs/cu.ft. (minimum): ASTM D 1622 test method
- Tensile Strength: 50 PSI (minimum): ASTM D 1623 test method
- Compression Recovery: 90% (minimum): ASTM D 5249 test method
- Water Absorption: 0.03 gm/cc (maximum): ASTM C 1016 test method

## **2.4. Cabinets**

### **2.4.1. Galvanized Steel Cabinet**

Galvanized Steel Cabinet shall be constructed of 16 or 14 gauge galvanized steel and shall meet or exceed the industry standards set forth by UL 50 and NEMA 3R. The finish shall be an ANSI 61 gray polyester powder finish inside and out over the galvanized steel. Cabinet shall have minimum inside dimensions of 20 inches high by 20 inches wide by 8 inches deep.

The cabinet shall be equipped with the following:

- Drip shield top
- Seam-free sides, front, and back, to provide protection in outdoor installations against rain, sleet, and snow
- Hinged cover with 16 gauge galvanized steel continuous stainless steel pin.
- Cover fastened with captive plated steel screws, knob or latch
- Hasp and staple for padlocking
- No gaskets or knockouts
- Back panel for terminal block installation
- Post mounting hardware
- Terminal Blocks

### **2.4.2. Anchor Bolt for Pad Mounted Cabinet**

Anchor bolt for pad mounted cabinet shall be galvanized steel with minimum dimensions of 3/8 inch by 6 inches.

## **2.5. Concrete**

Concrete shall be Class A and conform to the *Standard Specifications for Road and Bridge Construction*.

## **2.6. Conduit and Conduit Fittings**

Conduit and conduit fittings shall be rigid steel unless otherwise specified.

Conduit shall be zinc galvanized inside and out and conform to the NEC, UL Standard 6, and ANSI C-80.1.

Rigid Steel Conduit Fittings shall be galvanized inside and out and conform to the NEC, UL Standard 514B, and ANSI C-80.4. Intermediate Metal Conduit (IMC) will not be approved as an acceptable alternative to rigid steel conduit.

## **2.7. Conduit sealant**

Conduit sealant shall be weather-, mold-, and mildew-resistant and chemically resistant to gasoline, oil, dilute acids and bases. Conduit sealant shall be closed cell type and shall meet or exceed the following properties:

- Cure Time 20 minutes max.
- Density 64.4 kg/m<sup>3</sup>; 6 lbs/ft<sup>3</sup>
- Compressive Strength (ASTM 1691) 13.8 MPa; 330 or 300 psi

- Tensile Strength (ASTM 1623) 15.9 MPa; 270 or 250 psi
- Flexural Strength (ASTM D790) 14.5 MPa; 460 or 450 psi
- Service Temperature -20 to 200 F

## **2.8. Electrical Service Meter Base**

Electrical service meter base shall meet or exceed all requirements of the National Electrical Code and the local utility providing the electrical service.

## **2.9. Electrical Service Disconnect**

Electrical service disconnect shall meet or exceed all requirements of the National Electrical Code and the local utility providing the electrical service.

## **2.10. Flashing Arrow**

Flashing Arrow shall conform to the *Standard Specifications for Road and Bridge Construction*.

## **2.11. Ground Fault Circuit Interrupter (GFCI) Receptacle**

Ground Fault Circuit Interrupter Receptacle shall be 2-pole, 3-wire, 20 Amp, 125 Volt, 60 Hz, NEMA 5-20R configuration and meet or exceed the following standards and certifications:

- NEMA WD-1 and WD-6
- UL 498 and 943
- NOM 057
- ANSI C-73

This item shall include a UL listed, 4 inch x4 inch x 2<sup>1</sup>/<sub>8</sub> inch box with ¾ inch side and end knockouts and a 1½ inches deep, single-receptacle cover to house the GFCI receptacle. Box and cover shall be hot rolled, galvanized steel with a minimum thickness of 0.62 inches.

## **2.12. Grounding**

### **2.12.1. Ground Rod**

Ground Rod shall be composite shaft consisting of a pure copper exterior (5 mil minimum) that has been inseparably molten welded to a steel core. Ground Rod shall have a minimum diameter of 5/8 inch, a minimum length of 8 feet and shall be manufactured for the sole purpose of providing electrical grounding.

### **2.12.2. Ground Rod Clamp**

Ground rod shall be equipped with a one piece cast copper or bronze body with a non-ferrous hexagonal head set screw and designed to accommodate a 10 AWG solid through 2 AWG stranded grounding conductor.

## **2.13. Grout**

### **2.13.1. Grout for Inductive Loop Installation**

Grout for inductive loop installation shall be non-shrink, shall meet the requirements of the *Standard Specifications for Road and Bridge Construction*,

and shall be included on the KYTC Division of Materials, *List of Approved Materials*.

### **2.13.2. Grout for Piezoelectric Sensor Installation**

Grout for piezoelectric sensor installation shall be per the piezoelectric sensor manufacturer's recommendation. Grout shall be suitable for installation in both asphalt and Portland cement pavements. Grout shall have a short curing time (tack free in ten minutes; open to traffic in forty minutes; and fully cured within sixty minutes) to prevent unnecessary lane closure time and should be of sufficient consistency to prevent running when applied on road surfaces with a drainage cross slope. Particulate matter within the grout shall not separate or settle and the grout shall not shrink during the curing process.

## **2.14. Hardware**

Except where specified otherwise, all hardware such as nuts, bolts, washers, threaded ends of fastening devices, etc. with a diameter less than 5/8 inch shall be passivated stainless steel, alloy type 316 or type 304. Stainless steel hardware shall meet ASTM F593 and F594 for corrosion resistance. All other nuts and bolts shall meet ASTM A307 and shall be galvanized.

### **2.14.1. Conduit Strap**

Conduit strap shall be double-hole, stainless steel, and sized to support specified conduit. Conduit strap shall attach to wood pole or post with two 2 1/4 inch wood screws.

### **2.14.2. Mounting Strap for Pole Mount Cabinet**

Mounting strap for pole mount cabinet shall be 3/4 inch x 0.03 inch stainless steel; equipped with clips or buckles to securely hold strap.

### **2.14.3. Metal Framing Channel and Fittings**

Metal framing channel shall be 1 5/8 inches wide galvanized steel that conforms to ASTM A1011 and ASTM A653. One side of the channel shall have a continuous slot with in-turned edges to accommodate toothed fittings.

Fittings shall be punch pressed from steel plates and conform to ASTM A575 and the physical requirements of ASTM A1011.

## **2.15. Junction Box**

### **2.15.1. Junction Box Type A, B, or C**

Junction Box Type A, B, or C shall meet or exceed ANSI/SCTE 77-2007, Tier 15. Box shall have an open bottom. A removable, non-slip cover marked "PLANNING" shall be equipped with a lifting slot and attached with a minimum of two 3/8 inch stainless steel hex bolts and washers. Type A Box shall have nominal inside dimensions of 13 inches wide by 24 inches long by 18 inches deep. Type B Box shall have nominal inside dimensions of 11 inches wide by 18 inches long by 12

inches deep. Type C Box shall have nominal inside dimensions of 24 inches wide by 36 inches long by 30 inches deep.

**2.15.2. Aggregate for Junction Box Type A, B, or C**

Aggregate for junction box type A, B, or C shall be gradation size no. 57 and conform to the *Standard Specifications for Road and Bridge Construction*.

**2.15.3. Junction Box 10x8x4**

Junction Box Type 10x8x4 shall be constructed of a UV-stabilized, nonmetallic material or non-rusting metal and be weatherproof in accordance with NEMA 4X. Box shall be equipped with an overhanging door with a continuous durable weatherproof gasket between the body and door. Door shall be hinged with screws, hinge(s) and pin(s) and shall be equipped with a padlockable latch on the side opposite the hinge(s). Junction Box 10x8x4 shall have minimum inside dimensions of 10 inches high by 8 inches wide by 4 inches deep.

**2.16. Maintain and Control Traffic**

Materials for the bid item Maintain and Control Traffic shall conform to the *Standard Specifications for Road and Bridge Construction*, and the KYTC Department of Highways *Standard Drawings*.

**2.17. Piezoelectric Sensor**

Piezoelectric sensor (piezo) shall provide a consistent level voltage output signal when a vehicle axle passes over it, shall have a shielded transmission cable attached, and shall meet the following requirements:

- Dimensions: such that sensor will fit in a ¾ inch wide by 1 inch deep saw cut. Total length shall be 6 feet unless specified otherwise.
- Output uniformity: ± 7% (maximum)
- Typical output level range: 250mV (minimum) from a wheel load of 400 lbs.
- Working temperature range: -40° to 160° F.
- Sensor life: 30 million Equivalent Single Axle Loadings (minimum)

Shielded transmission cable shall be coaxial and shall meet the following requirements:

- RG 58C/U with a high density polyethylene outer jacket rated for direct burial
- Length shall be a minimum of 100 feet. Installations may exceed 100 feet so the piezo shall be supplied with a lead-in of appropriate length so that the cable can be installed splice-free from the piezo to the cabinet.
- Soldered, water resistant connection to the sensor.

One installation bracket for every 6 inches of sensor length shall also be supplied. Piezo shall be a RoadTrax BL Class I or approved equal.

**2.18. Saw Slot Sealant**

Saw Slot Sealant shall be non-shrink, non-stringing, moisture cure, polyurethane

encapsulant suitable for use in both asphalt and concrete pavements. It shall provide a void-free encapsulation for detector loop cables and adequate compressive yield strength and flexibility to withstand heavy vehicular traffic and normal pavement movement.

The cured encapsulant shall meet or exceed the following:

- Hardness (Indentation): 35-65 Shore A, ASTM D2240
- Tensile Strength: 150 psi minimum, ASTM D412
- Elongation: 125% minimum 2 inch/minute pull, ASTM D412
- Tack-free Drying Time: 24 hours maximum, ASTM C679
- Complete Drying Time: 30 hours maximum, KM 64-447
- Chemical Interactions (seven day cure at room temperature, 24-hour immersion, KM 64-446):
  - Motor Oil: No effect
  - Deicing Chemicals: No effect
  - Gasoline: Slight swell
  - Hydraulic Brake Fluid: No effect
  - Calcium Chloride (5%): No effect

## **2.19. Seeding and Protection**

Material for Seeding and Protection shall be Seed Mixture Type I and conform to the *Standard Specifications for Road and Bridge Construction*.

## **2.20. Signs**

Materials for signs shall conform to the *Standard Specifications for Road and Bridge Construction*.

## **2.21. Splicing Materials**

### **2.21.1. Electrical Tape**

Electrical tape shall be a premium grade, UL-listed, all-weather, vinyl-insulating tape with a minimum thickness of 7 mil. Tape shall be flame retardant and resistant to abrasion, moisture, alkalis, acids, corrosion, and weather (including ultraviolet exposure).

### **2.21.2. Splice Kit**

Splice kit shall be inline resin-type and rated for a minimum of 600V. Resin shall be electrical insulating-type and shall provide complete moisture and insulation resistance.

## **2.22. Steel Reinforcing Bar**

Steel reinforcing bar shall be #5 and shall conform to the *Standard Specifications for Road and Bridge Construction*.

## **2.23. Terminal Block**

Terminal block shall be rated for a minimum of 300 V and have a minimum of six

terminal pairs with 9/16-inch nominal spacing (center to center) for connecting loop and piezoelectric sensor wires to cable assemblies. Terminal block shall have screw type terminal strips to accommodate wire with spade-tongue ends.

#### **2.24. Warning Tape**

Warning tape shall be acid and alkali resistant formulated for direct burial. Tape shall be a minimum of 3 inches wide by 4.0 mils (nominal) thick, and shall be permanently imprinted with a minimum 1 inch black legend on a red background warning of an electric line. Tape shall meet or exceed the following industry specifications:

- American Gas Association (AGA) 72-D-56
- American Petroleum Institute (API) RP 1109
- American Public Works Association (APWA) Uniform Color Code
- Department of Transportation (DOT) Office of Pipeline Safety USAS B31.8
- Federal Gas Safety Regulations S 192-321 (e)
- General Services Administration (GSA) Public Buildings Service Guide: PBS 4-1501, Amendment 2
- National Transportation Safety Board (NTSB) PSS 73-1
- Occupational Safety and Health Administration (OSHA) 1926.956 (c) (1)

#### **2.25. Wire and Cable**

All cable and wire shall be plainly marked in accordance with the National Electrical Code (NEC).

##### **2.25.1. Loop Wire**

Loop wire shall be 14 AWG, stranded, copper, single conductor, and shall conform to the International Municipal Signal Association (IMSA) Specification No. 51-7.

##### **2.25.2. Cable No. 14/1 Pair**

Cable No. 14/1 pair loop lead-in cable shall be 14 AWG, stranded, copper paired, electrically shielded conductors, and shall conform to IMSA 19-2.

##### **2.25.3. Grounding conductor**

Grounding conductor and bonding jumper shall be solid or stranded, 4 AWG bare copper.

##### **2.25.4. Service Entrance Conductor**

Service entrance conductor shall be stranded, copper, Type USE-2, sized as required to comply with the NEC.

##### **2.25.5. Terminal for electrical wire or cable**

Terminal for electrical wires or cables shall be insulated, solderless, spade tongue terminals of correct wire and stud size. Terminal for electrical wires or cables shall be incidental to the wire or cable (including piezoelectric sensor transmission cable) to be connected to terminal strips.



**2.26. Wood Post**

Wood post shall be Southern Pine pretreated to conform to the American Wood Preservers' Association (AWPA) C-14 or UC4B and shall have minimum dimensions of 4 inches by 4 inches by 8 feet long (for Galvanized Steel Cabinet) or 4 feet long (for Junction Box 10x8x4), sawed on all four sides with both ends square.

**2.27. Wooden Pole**

Wooden pole shall be a Class IV wood pole of the length specified and shall conform to the *Standard Specifications for Road and Bridge Construction* except the pole shall be treated in accordance with AWPA P9 Type A.

### 3. CONSTRUCTION METHODS

The plans indicate the extent and general arrangement of the installation and are for guidance. When the Contractor deems any modifications to the plans or specifications necessary, details of such changes and the reasons shall be submitted in writing to the engineer for written approval prior to beginning the modified work.

After the project has been let and awarded, the Division of Construction shall notify the Division of Planning of the scheduled date for a Pre-Construction meeting so that prior arrangements can be made to attend. This will allow the Division of Planning an opportunity to address any concerns and answer any questions that the Contractor may have before beginning the work.

The Division of Planning Equipment Management Team (502-564-7183) shall be notified a minimum of seven days before any work pertaining to these specifications begins to allow their personnel the option to be present during installation.

Unless otherwise specified, installed materials shall be new.

Construction involving the installation of loops or piezoelectric sensors shall not be performed when the temperature of the pavement is less than 38°F.

A final inspection will be performed by a member of the Central Office Division of Planning equipment staff after the installation is complete to verify that the installation is in compliance with the plans and specifications.

Any required corrective work shall be performed per the *Standard Specifications for Road and Bridge Construction*.

#### 3.1. Anchoring

Furnish: Anchor, anchor rod, guy wire, strand vise, guy guard.

Anchor shall be installed in relatively dry and solid soil. Rock anchor shall be installed in solid rock. Excavate the hole at a 45° to 60° angle in line with the guy (hole size shall be slightly larger than the expanded anchor – see manufacturer's recommendation). Attach rod to anchor, install assembly into hole, and expand anchor. Backfill and tamp entire disturbed area. The effectiveness of the anchor is dependent upon the thoroughness of backfill tamping. Attach guy to strand vise on pole and anchor rod and tighten to required tension. Install guy guard on guy.

#### 3.2. Bore and Jack Pipe – 2”

Furnish: Steel Encasement Pipe, 2”

Bore and jack pipe – 2” shall conform to the Section 706 of the *Standard Specifications for Road and Bridge Construction*.

### **3.3. Cleanup and Restoration**

Furnish: Seed Mix Type 1 (as required); fertilizer (as required); agricultural limestone (as required); mulch or hydromulch (as required); tackifier (as required).

The Contractor shall be responsible for repairing any damage to public and/or private property resulting from his work. Upon completion of the work, restore all disturbed highway features in like kind design and materials. This shall include filling any ruts and leveling ground appropriately. Contractor shall dispose of all waste and debris off the project. Sow all disturbed earthen areas with Seed Mix Type 1 per Section 212 of the *Standard Specifications for Road and Bridge Construction*. All materials and labor necessary for cleanup and restoration shall be considered incidental to other bid items.

### **3.4. Conduit**

Furnish: Conduit; conduit fittings; bushings (grounding where required); LB condulets (as required); weatherheads (as required); conduit straps; hardware; conduit sealant.

Conduit that may be subject to regular pressure from traffic shall be laid to a minimum depth of 24 inches below grade. Conduit that will not be subject to regular pressure from traffic shall be laid to a minimum depth of 18 inches below grade.

Conduit ends shall be reamed to remove burrs and sharp edges. Cuts shall be square and true so that the ends will butt together for the full circumference of the conduit. Tighten couplings until the ends of the conduit are brought together. Do not leave exposed threads. Damaged portions of the galvanized surfaces and untreated threads resulting from field cuts shall be painted with an Engineer-approved, rust inhibitive paint. Conduit bends shall have a radius of no less than 12 times the nominal diameter of the conduit, unless otherwise shown on the plans.

Contractor shall install a bushing (grounding bushing where required) on both ends of all conduits. Cap spare conduits on both ends with caps or conduit sealant.

Conduit openings in junction boxes and cabinets shall be waterproofed with a flexible, removable conduit sealant, working it around the wires, and extending it a minimum 1 inch into the end of the conduit.

After the conduit has been installed and prior to backfilling, the conduit installation shall be inspected and approved by the Engineer.

### **3.5. Electrical Service**

Furnish: Meter base, service disconnect, wire, GFCI AC duplex receptacle with box and cover; conduit, conduit fittings, bushings (grounding where required); LB condulets (as required); weatherhead; conduit straps; hardware; conduit sealant; ground rod with clamp; grounding conductor.

Prior to any construction, the Contractor shall initiate a work order with the local power

company for the installation of electrical service to the site. A representative from the Division of Planning and the local power company shall be consulted prior to choosing an exact location for the pole. The Contractor shall clear the right-of-way for the electrical service drop.

Contractor shall obtain electrical inspections, memberships, meter base, service disconnect and any other requirements by the utility serving the installation and pay all fees as required.

Install meter-base and disconnect panel with a 30-ampere, fused, circuit breaker inside. Install a manufactured weatherproof hub connector to connect the conduit to the top of the meter base and service disconnect.

Install a rigid  $\frac{3}{4}$  inch conduit with three 8 AWG service conductors from the cabinet, through the service disconnect to the meter base and a  $1\frac{1}{4}$ " conduit with three 8 AWG service conductors from the meter base to a weatherhead two feet from the top of the electrical service pole. Install conduit straps 30 inches on center and provide a drip loop where the wire enters the weatherhead. Splice electric drop with service entrance conductors at the top of the pole.

The limit of conduit incidental to "Install Electrical Service" for a pad mounted cabinet is 24 inches beyond face of service pole.

Install a 120-volt, 20-amp GFCI AC duplex receptacle with box and cover in the automatic data recorder (ADR) cabinet.

Install a ground rod with clamp. Install a grounding conductor wire from the meter base, through the disconnect panel, to the ground rod clamp. Install grounding conductor in  $1\frac{3}{4}$ " conduit from service disconnect to ground rod.

After completing the installation and before the electrical service is connected, obtain a certificate of compliance from the Kentucky Department of Housing, Buildings and Construction, Electrical Inspection Division.

### **3.6. Flashing Arrow**

Furnish: Arrow Panel

Construction of Flashing Arrow shall conform to the *Standard Specifications for Road and Bridge Construction*.

### **3.7. Galvanized Steel Cabinet**

Furnish: Cabinet; wood posts; concrete; conduit fittings; metal framing channel; pipe clamp; terminal block(s); spade tongue wire terminals; wire labels; hardware.

Where right-of-way allows, locate the cabinet such that it is outside the clear zone in accordance with the *Roadside Design Guide*. Install Cabinet such that the door of the

cabinet faces the roadway.

Excavate as required and install wood posts to a depth of 36 inches and place concrete around posts as shown on the standard detail sheets. Install metal framing channel with pipe clamp between posts.

Install Cabinet on wood posts 38 inches above the finished grade as shown on the standard detail sheets. Install a unistrut between posts when two posts are specified.

Install the required number of terminal blocks on the cabinet back plate. Install a spade tongue terminal on each loop and piezo sensor wire entering the cabinet and connect wires to terminal block(s). Wiring shall be neat and orderly. Label all wires and cables inside cabinet.

Install conduit from ground to cabinet and attach to pipe clamp. Install locknuts to attach conduit to cabinet and install a conduit bushing as shown on the standard detail sheets.

### **3.8. Grounding**

Furnish: Ground rod with clamp; grounding conductor.

At sites with electrical or solar service, all conduits, poles, and cabinets shall be bonded to ground rods and the electrical system ground to form a complete grounded system.

Install such that top of ground rod is a minimum of 3 inches below finished grade.

Grounding systems shall have a maximum 25 ohms resistance to ground. If the resistance to ground is greater than 25 ohms, two or more ground rods connected in parallel shall be installed. Adjacent ground rods shall be separated by a minimum of 6 feet.

### **3.9. Install Pad Mount Enclosure**

Furnish: Concrete; anchor bolts with washers and nuts; conduit; conduit fittings; conduit grounding bushings; ground rod with clamp; grounding conductor; conduit sealant; wooden stakes (where required); wire labels; hardware.

The Contractor shall be responsible for securing the enclosure from the Central Office Division of Planning Warehouse in Frankfort and transporting it to the installation site.

Where right-of-way allows, locate the enclosure such that it is outside the clear zone in accordance with the *Roadside Design Guide*.

Excavate as required, and place concrete to construct the enclosure foundation as specified on the standard detail sheets. Install enclosure on the concrete base such that the door(s) of the enclosure opens away from traffic (hinges away from traffic). Install anchor bolts, washers, and nuts to secure the enclosure to the foundation.

Install ground rod with clamp and install one ¾ inch rigid conduit from enclosure base to

ground rod. Install a grounding conductor from ground rod to enclosure base and bond to each conduit bushing in the base.

Install one ¾ inch rigid steel conduit for electrical service from the base of the enclosure to 24 inches beyond the concrete base. Make all field wiring connections to the electrical service, as applicable.

If electrical service is not provided as a bid item in the contract, plug conduit on both ends with a cap, conduit sealant, or electrical tape. Mark the location of the buried conduit end with a wooden stake labeled “¾ in. conduit.”

Install specified rigid steel conduit(s) into the base of the enclosure for sensor wire entry. Install one spare 2-inch conduit from the enclosure base to 2 feet beyond the concrete base. Plug spare conduit on both ends with a cap, conduit sealant or electrical tape.

The limit of all conduits incidental to “Install Pad Mount Enclosure” is 24 inches beyond the edge of the concrete base.

Wiring in enclosure shall be neat and orderly. Label all wires and cables inside enclosure. KYTC personnel will furnish and install terminal blocks and connect sensors to terminal blocks.

### **3.10. Install Controller Cabinet**

Furnish: Mounting brackets; mounting straps; conduit; LB condulets; conduit fittings; conduit grounding bushings; ground rod with clamp; grounding conductor; cable staples; conduit sealant; wooden stakes (where required); wire labels; hardware.

The Contractor shall be responsible for securing the cabinet from the Central Office Division of Planning Warehouse in Frankfort and transporting it to the installation site. Any existing holes in the cabinet not to be reused shall be covered or plugged to meet NEC requirements.

Install mounting brackets and secure cabinet to pole with mounting straps.

Install a ground rod with clamp. Install grounding conductor in 1-¾” conduit form cabinet to ground rod.

Install one ¾ inch rigid steel conduit with two lb. condulets from cabinet to electrical service disconnect box. Make all field wiring connections to the electrical service, as applicable.

If electrical service is not provided as a bid item in the contract, plug conduit on both ends with cap, plumbers putty, conduit sealant, or electrical tape. Mark the location of the buried conduit end with a wooden stake labeled “¾ in. conduit”.

Install specified rigid steel conduit(s) and type LB condulet(s) into the bottom of the

cabinet for sensor wire entry. The limit of conduits incidental to “Install Controller Cabinet” is 24 inches beyond the face of the pole.

Wiring in cabinet shall be neat and orderly. Label all wires and cables inside cabinet. KYTC personnel will furnish and install terminal blocks and connect sensors to terminal blocks.

### **3.11. Junction Box Type 10x8x4**

Furnish: Junction box; wood post; conduit fittings; wire labels; hardware.

Where right-of-way allows, locate the junction box such that it is outside the clear zone in accordance with the Roadside Design Guide.

Excavate as required and install wood post(s) to a depth of 18 inches. Install junction box on wood post such that the bottom of the box is 18 inches above the finished grade as shown on the standard detail sheets. Box shall be installed with four (4) 2½ inch wood screws and washers.

Install locknuts to attach conduit to junction box and install a conduit bushing as shown on the standard detail sheets.

Wiring inside box shall be neat and orderly. Label all wires and cables inside box.

### **3.12. Junction Box Type A, B, or C**

Furnish: Junction box, No. 57 aggregate; grounding conductor

Excavate as required and place approximately 12 inches of No. 57 aggregate beneath the proposed junction box to allow for drainage. Install specified junction box type A, B, or C near the edge of pavement, flush with finished grade per the detail sheets. Where required, orient the box so that the dimensions comply with the National Electrical Code. Stub conduits with grounding bushings into junction box at its base to accommodate wires and connect grounding conductor to all grounding bushings. Backfill to existing grade, and restore disturbed area to the satisfaction of the Engineer.

Wiring inside box shall be neat and orderly. Label all wires and cables inside box.

### **3.13. Loops - Proposed**

Furnish: Wire; saw slot sealant; backer rod; grout; conduit sealant.

The plans and notes specify the approximate location for loop installations. Prior to sawing slots or drilling cores, the Contractor shall meet with a representative of the Division of Planning to verify the precise layout locations on site. Avoid expansion joints and pavement sections where potholes, cracks, or other roadway flaws exist.

Upon completion of this meeting, the Contractor shall measure out and mark the proposed loop locations with spray paint or chalk such that the saw slots will be parallel

and perpendicular to the direction of traffic. Marked lines shall be straight and exact to the locations determined and sized as shown on the plans. Unless indicated otherwise, loops shall be 6 feet by 6 feet square and loops in the same lane shall be spaced 16 feet from leading edge to leading edge.

On resurfacing, rehabilitation, and new construction projects that include new asphalt pavement, the Contractor shall install loops prior to laying the final surface course. On projects with milling and texturing, the Contractor may install the loops prior to or after the milling operation; however, if installed prior to milling, the Contractor shall be responsible for ensuring that the loops are installed at a depth such that the milling operation will not disturb the newly installed loops. The Contractor shall correct damage caused by the milling operations to newly installed loops prior to placement of the final surface course at no additional cost to the Cabinet.

For projects that include the installation of new asphalt and piezoelectric sensors, the Contractor shall mark or otherwise reference all loops installed prior to the final surface course such that the loops can be accurately located when the piezoelectric sensors are installed after placement of the final surface course.

For projects that do not have asphalt surfacing, the Contractor shall install the loops in the surface of the pavement.

The Prime Contractor shall coordinate the installation of loops with the electrical sub-Contractor and the Engineer to ensure correct operation of the completed installation.

The following is a typical step by step procedure for the installation of a loop.

- Carefully mark the slot to be cut, perpendicular to the flow of traffic and centered in the lane.
- Make each saw-cut 3/8-inch wide and at a depth such that the top of the backer rod is a minimum of 2 inches below the surface of rigid (PCC/Concrete) pavement or 4 inches below the surface of asphalt pavement.
- Drill a 1½ inch core hole at each corner and use a chisel to smooth corners to prevent sharp bends in the wire.
- Clean ALL foreign and loose matter out of the slots and drilled cores and within 1 foot on all sides of the slots using a high-pressure washer.
- Completely dry the slots and drilled cores and within 1 foot on all sides of the slots using oil-free forced air, torpedo heaters, electric heaters, or natural evaporation, depending on weather conditions. Be very careful not to burn the asphalt if heat is used.
- Measure 9-12 inches from the edge of the paved surface (shoulder break or face of curb) and drill a 1½ inch hole on a 45° angle to the conduit adjacent to the roadway.
- Closely inspect all cuts, cores, and slots for jagged edges or protrusions prior to the placement of the wire. All jagged edges and protrusions shall be ground or re-cut and cleaned again.



- Place the loop wire splice-free from the termination point (cabinet or junction box) to the loop, continue around the loop for four turns, and return to the termination point.
- Push the wire into the saw slot with a blunt object such as a wooden stick. Make sure that the loop wire is pushed fully to the bottom of the saw slot.
- Install conduit sealant to a minimum of 1” deep into the cored 1½ inch hole.
- Apply loop sealant from the bottom up and fully encapsulate the loop wires in the saw slot. The wire should not be able to move when the sealant has set.
- Cover the encapsulated loop wire with a continuous layer of backer rod along the entire loop and home run saw slots such that no voids are present between the loop sealant and backer rod.
- Finish filling the saw cut with non-shrinkable grout per manufacturer’s instructions. Alleviate all air pockets and refill low spaces. There shall be no concave portion to the grout in the saw slot. Any excess grout shall be cleaned from the roadway to alleviate tracking.
- Clean up the site and dispose of all waste off the project.
- Ensure that the grout has completely cured prior to subjecting the loop to traffic. Curing time varies with temperature and humidity.

Exceptions to installing loop wire splice-free to the junction box or cabinet may be considered on a case-by-case basis and must be pre-approved by the Engineer. If splices are allowed, they shall be located in a junction box and shall conform to the construction note for Splicing.

If loop lead-in cable (Cable No. 14/1 Pair) is specified, cable shall be installed splice free to the cabinet ensuring that extra cable is left in each junction box or cabinet. All wires and cables shall be labeled in each junction box and cabinet.

Loop inductance readings shall be between 100 and 300 microhenries. The difference of the loop inductance between two loops in the same lane shall be  $\pm 20$  microhenries. Inductance loop conductors shall test free of shorts and grounds. Upon completion of the project, all loops must pass an insulation resistance test of a minimum of 100 million ohms to ground when tested with a 500 Volt direct current potential in a reasonably dry atmosphere between conductors and ground.

### **3.14. Loop Test**

When noted on a data collection station layout sheet that there are existing inductive loops within the limits of the project, notify the Engineer in writing, a minimum of 14 calendar days prior to beginning milling operations. After milling and prior to placing asphalt inlay, conduct an operating test on the existing inductance loops at the control cabinet in the presence of the Engineer to determine if the inductance loop conductors have an insulating resistance of a minimum of 100 megohms when tested with a 500-volt direct current potential in a reasonably dry atmosphere between conductors and ground. The Department may also conduct its own tests with its own equipment.

If the tests indicate the loop resistances are above the specified limit and the Engineer determines the system is operable, proceed with the asphalt inlay. If the test indicates the loop resistance is not within the specified limits or if the Engineer determines the system is otherwise not operable, prior to placing the asphalt inlay install and test new loop detectors according to the station layout, notes, and Detail Drawings.

The Engineer will contact and maintain liaison with the District Planning Engineer and the Division of Planning in order to coordinate any necessary work.

### **3.15. Maintain and Control Traffic**

Furnish (all as required): Drums, traffic cones, barricades used for channelization purposes, delineators, and object markers.

Maintain and Control Traffic shall conform to the plans, the Standard Specifications for Road and Bridge Construction, and the KYTC Department of Highways Standard Drawings.

### **3.16. Open Cut Roadway**

Furnish: Concrete, reinforcing bars.

Excavate trench by sawing and chipping away roadway to dimensions as indicated on the detail sheets. After placing conduit, install concrete and steel reinforcing bars per the *Standard Specifications for Road and Bridge Construction*. Restore any disturbed sidewalk to its original condition.

### **3.17. Piezoelectric Sensor**

Furnish: Piezoelectric sensor and cable; sensor support brackets; saw slot sealant; backer rod; grout; conduit sealant.

The plans and notes specify the approximate location for piezoelectric sensor (piezo) installations. Prior to sawing slots or drilling cores, the Contractor shall meet with a representative of the Division of Planning to verify the final layout on site. Avoid expansion joints and pavement sections where potholes, cracks, or other roadway flaws exist. Roadway ruts at the proposed piezo location shall not be in excess of 1/2 inch under a 4-foot straight edge.

Install the piezo perpendicular to traffic in the final surface course of the pavement. Locate the sensor in the lane as shown on the site layout drawing. Eleven-foot length sensors shall be centered in the lane.

The following is a typical step by step procedure for the installation of a piezo. Refer specifically to the manufacturer's instructions provided with the sensor prior to installation.

- Carefully mark the slot to be cut, perpendicular to the flow of traffic and properly positioned in the lane.

- It is strongly recommended that a ¾ inch wide diamond blade be used for cutting the slot, or that blades be ganged together to provide a single ¾ inch wide cut. The slot shall be wet cut to minimize damage to the pavement.
- Cut a slot ¾ inch wide ( $\pm 1/16$  inch) by 1 inch minimum deep. The slot should be a minimum of 2 inches longer than the sensor (including the lead attachment). Drop the saw blade an extra ½ inch down on both ends of the sensor. The lead out of the passive cable should be centered on the slot.
- Cut the slot for the passive cable ¼ inch wide and at a depth so that the top of the backer rod is a minimum of 2 inches below the road surface.
- Clean ALL foreign and loose matter out of the slot and within 1 foot on all sides of the slot using a high-pressure washer.
- Completely dry the slot and within 1 foot on all sides of the slot using oil-free forced air, torpedo heaters, electric heaters, or natural evaporation, depending on weather conditions. Be very careful not to burn the asphalt if heat is used.
- Measure 9-12 inches from the edge of the paved surface (shoulder break or face of curb) and drill a 1½ inch hole on a 45° angle to the conduit adjacent to the roadway.
- Place strips of 2-4-inch-wide tape strips on the pavement along the lengths of both sides of the sensor slot, 1/8 inch away from the slot.
- Wear clean, protective latex (or equivalent) gloves at all times when handling sensors. Visually inspect sensor to ensure it is straight. Check lead attachment and passive cable for cuts, gaps, cracks and/or bare wire. Verify that the correct sensor type and length is being installed by checking the data sheet. Verify there is sufficient cable to reach the cabinet. Piezo lead-in cable shall not be spliced.
- Test the sensor for capacitance, dissipation factor and resistance, according to the directions enclosed with the sensor. Capacitance and dissipation should be within  $\pm 20\%$  of the piezo data sheet. Resistance (using the 20M setting) should be infinite. Record the sensor serial number and the test results and label “pre-installation.” This information should be stored in the counter cabinet and/or returned to Department Planning personnel.
- Lay the sensor next to the slot and ensure that it is straight and flat.
- Clean the sensor with steel wool or an emery pad and wipe with alcohol and a clean, lint-free cloth.
- Place the installation bracket clips every 6 inches along the length of the sensor.
- Bend the tip of the sensor downward at a 30° angle. Bend the lead attachment end down at a 15° angle and then 15° back up until level (forming a lazy Z).
- Place the sensor in the slot, with the brass element 3/8 inch below the road surface along the entire length. The tip of the sensor should be a minimum of 2 inches from the end of the slot and should not touch the bottom of the slot. The top of the plastic installation bracket clips should be 1/8 inch below the surface of the road. The lead attachment should not touch the bottom or sides of the slot. Ensure the sensor ends are pushed down per the manufacturer’s instructions.
- Visually inspect the length of the sensor to ensure it is at uniform depth along its length and it is level (not twisted, canted or bent).

- On the passive cable end, block the end of the slot approximately 3-5 inches beyond the end of the lead attachment area creating an adequate “dam” so that the sensor grout does not flow out.
- Use one bucket of sensor grout per piezo installation. Overfill the slot with sensor grout and allow to cure for a minimum of 10 minutes before continuing with the installation. Ensure that sensor grout fills around and beneath the sensor completely and that there is not a trough on top.
- Remove the tape along the sides of the saw slot when the adhesive starts to cure.
- Carefully remove the dam from the end of the sensor.
- Route the lead-in cable through the saw slot
- Install conduit sealant to a minimum of 1” deep into the cored 1½ inch hole.
- Cover the lead-in cable with encapsulant, backer rod, and grout.
- If necessary, after the grout has hardened, grind with an angle grinder until the profile is a 1/16-inch mound. There shall be no concave portion to the mound.
- Clean up the site and dispose of all waste off the project.
- Ensure that the sensor grout has completely cured prior to subjecting the sensor to traffic. Curing time will vary with temperature and humidity.

Upon installation, test the sensor for capacitance, dissipation factor and resistance, according to the directions enclosed with the sensor. Capacitance and dissipation should be within  $\pm 20\%$  of the piezo data sheet. Resistance (using the 20M setting) should be infinite. Perform a functional test of the piezo with an oscilloscope to ensure that the sensor is generating a proper response to the passage of vehicles.

Record the sensor serial number and the test results and label “post-installation.” This information should be stored in the counter cabinet and/or returned to Department Planning personnel.

### **3.18. Pole – Wooden**

Furnish: Pole; anchoring equipment (as required); hardware (as required).

Excavate and install wood pole to a minimum depth of one-sixth the total pole height. Place backfill material in hole and compact until flush with existing grade. Install guy wire, guy guard, anchor, anchor rod, and strand vise, if necessary. Anchor shall be a minimum of one-third the pole height from the face of the pole. Provide temporary erosion control, seeding, protection and restoration of disturbed areas to the satisfaction of the Engineer.

### **3.19. Removal of Existing Equipment**

The Contractor shall remove existing materials (including but not limited to: poles, anchors, cabinets, junction boxes, conduit and wire) not to be reused. Contractor shall dispose of all removed materials off the project. All materials and labor necessary for the removal of existing equipment shall be considered incidental to other bid items.

### **3.20. Signs**

Furnish: Signs; sign standards; hardware.

Construction of signs shall conform to the *Standard Specifications for Road and Bridge Construction*.

### **3.21. Splicing**

Furnish: Splice kit; solder.

These notes describe the splicing process (if permitted) and are not intended to grant permission to splice. Permission to splice shall be determined by the Division of Planning and the locations shall be shown on the layout sheet. If splicing is needed but not shown on the layout sheet, the Contractor shall receive prior written approval from the Division of Planning.

All splices shall conform to the provisions of the NEC.

Splices for loop and loop lead-in wire shall be twisted and soldered. Abrade the outer jacket of both wires to promote good adhesion and prevent capillary leak paths. Seal the splice with an electrical sealing resin. Spliced loop conductors shall test free of shorts and unauthorized grounds and shall have an insulating resistance of at least 100 megohms when tested with a 500-volt direct current potential in a reasonably dry atmosphere between conductors and ground.

For piezos, the same type coax cable, supplied by the manufacturer, shall be used to splice to the sensor's lead-in cable. Cables shall be soldered. Abrade the outer jacket of both cables to promote good adhesion and prevent capillary leak paths. Seal the splice with an electrical sealing resin. Spliced piezo cables shall be tested and have a minimum resistance of 20 megohms, a maximum dissipation factor of 0.03, a capacitance within the manufacturer's recommended range based upon the length of additional cable. A functional test of the piezo shall be performed to ensure that the sensor is generating a proper response to the passage of vehicles.

### **3.22. Trenching and Backfilling**

Furnish: Warning tape; seed mix type I; cereal rye or German foxtail-millet; mulch; concrete (as required); asphalt (as required).

Excavate trench and provide required cover as shown on the standard detail sheets. After placing conduit, backfill material shall be placed and compacted in lifts of 9 inches or less. Install warning tape as shown on the detail sheet. Provide temporary erosion control, seeding, protection and restoration of disturbed areas to the satisfaction of the Engineer.

### **3.23. Wiring**

Furnish: Wire; wire labels; spade tongue wire terminals (as required).

Installation of all wiring shall conform to the NEC. Permanent identification numbers

shall be affixed to all wires in all junction boxes and cabinets (see Layout(s) for loop and piezo numbers).

Additional lengths of each loop and piezo sensor wire shall be neatly coiled in all cabinets and junction boxes as follows:

<u>Enclosure Type</u>	<u>Additional length of each wire</u>
Galvanized Steel Cabinet	2' - 3'
Pad Mount Cabinet (332)	6' - 8'
Pole Mount Cabinet (336)	3' - 4'
Junction Box Type 10x8x4	2' - 3'
Junction Box Type A, B, or C	2' - 3'

### **3.24. Wood Post**

Furnish: Wood post; concrete (as required); seed mix type I; cereal rye or German foxtail-millet; mulch.

Excavate hole to specified depth and place concrete, if required. Install post, backfill to existing grade, and tamp backfill. Provide temporary erosion control, seeding, protection and restoration of disturbed areas to the satisfaction of the Engineer.

### **3.25. Remove and Replace Sidewalk**

Furnish: Lumber, stakes, nails or screws, and concrete.

Remove existing sidewalk to install rigid conduit from edge of roadway to nearest junction box or cabinet. Form, pour and finish concrete in place of old existing sidewalk making sure to replace the expansion joints in their respective locations. Concrete shall conform to the *Kentucky Standard Specifications for Road and Bridge Construction* for sidewalks.

#### **4. BID ITEM NOTES AND METHOD OF MEASUREMENT FOR PAYMENT**

Only the bid items listed will be measured for payment. All other items required to complete the vehicle detection installation shall be incidental to other items of work. Payment at the contract unit price shall be full compensation for all materials, labor, equipment and incidentals to furnish and install these items.

##### **4.1. Bore and Jack Pipe – 2”**

Bore and jack pipe – 2” shall be furnished, installed, and measured for payment per the *Standard Specifications for Road and Bridge Construction*.

##### **4.2. Conduit**

Conduit shall include furnishing and installing specified conduit in accordance with the specifications. This item shall include conduit fittings, bodies, boxes, weatherheads, expansion joints, couplings, caps, conduit sealant, electrical tape, clamps, bonding straps and any other necessary hardware. Conduit will be measured in linear feet.

##### **4.3. Electrical Service**

Electrical Service shall include furnishing and installing all necessary materials and payment of all fees toward the complete installation of an electrical service which has passed all required inspections. Incidental to this item shall be furnishing and installing:

- Meter-base per utility company’s specifications
- Service disconnect panel per utility company’s specifications
- Meter base and service disconnect entrance hubs, waterproof
- Service entrance conductors
- Rigid steel conduit
- Rigid steel conduit fittings
- Conduit straps
- Weatherhead
- Duplex GFCI receptacle, 120-volt, 20-amp
- Ground rod with clamp
- Grounding conductor

Also incidental to this item shall be any necessary clearing of right of way for the electrical service drop.

Electrical service will be measured in individual units each.

##### **4.4. Flashing Arrow**

Flashing Arrow shall be furnished, installed, and measured for payment per the *Standard Specifications for Road and Bridge Construction*.

##### **4.5. Galvanized Steel Cabinet**

Galvanized Steel Cabinet shall include furnishing and installing galvanized steel cabinet on post as specified. Incidental to this item shall be furnishing and installing grounding hardware, and any necessary post/pole mounting hardware. Also incidental to this item shall be furnishing and installing the required number of terminal blocks and connection of all

sensors to the terminal blocks. Galvanized Steel Cabinet will be measured in individual units each.

#### **4.6. Install Pad Mount Enclosure**

Install Pad Mount Enclosure shall include installing a Department-furnished enclosure as specified on the detail sheets.

This item shall include obtaining the enclosure from KYTC and transporting it to the installation site and furnishing and installing the following:

- Concrete foundation (including any excavation necessary)
- Anchor bolts, lock washers, and nuts
- Conduit
- Conduit fittings (including grounding bushings)
- Weatherhead
- Terminal Strip(s)
- Ground rod with clamp
- Grounding conductor

Install Pad Mount Enclosure will be measured in individual units each.

#### **4.7. Install Controller Cabinet**

Install Controller Cabinet shall include installing a Department-furnished cabinet as specified on the detail sheets.

This item shall include obtaining the cabinet from KYTC and transporting it to the installation site and furnishing and installing the following:

- Conduit
- Conduit Fittings
- Terminal Strip(s)
- Ground rod with clamp
- Grounding conductor

Install Controller Cabinet will be measured in individual units each.

#### **4.8. Junction Box Type 10" x 8" x 4"**

Junction Box Type 10"x8"x4" shall include furnishing and installing specified junction box in accordance with the specifications. This item shall include connectors, splice sleeves, conduit fittings, mounting materials and any other items required to complete the installation. Incidental to this item shall be furnishing and installing specified post (wood, channel, metal, etc.) as required for the installation. Junction Box Type 10"x8"x4" will be measured in individual units each.

#### **4.9. Junction Box Type A, B, or C**

Junction Box Type A, B, or C shall include furnishing and installing specified junction box in accordance with the specifications. This item shall include excavation, furnishing and installing #57 aggregate, backfilling around the box, and restoration of disturbed areas to the satisfaction of the Engineer. Incidental to this item shall be furnishing and installing a



grounding conductor bonding all conduit grounding bushings in the box. Junction Box Type A, B, or C will be measured in individual units each.

#### **4.10. Loop Saw Slot and Fill**

Loop Saw Slot and Fill shall include sawing and cleaning saw slots and furnishing and installing conduit sealant, loop sealant, backer rod, grout, or other specified material. Loop Saw Slot and Fill will be measured in linear feet of sawed slot.

#### **4.11. Maintain and Control Traffic**

Maintain and Control Traffic shall be measured for payment per the *Standard Specifications for Road and Bridge Construction*.

#### **4.12. Open Cut Roadway**

Open Cut Roadway shall include excavating trench (sawing and chipping roadway) to dimensions as indicated on the detail sheets and furnishing and placing concrete, steel reinforcing bars, and asphalt. This item also includes restoring any disturbed sidewalk to its original condition. Open Cut Roadway will be measured in linear feet.

#### **4.13. Piezoelectric Sensor**

Piezoelectric sensor (piezo) shall include sawing and cleaning saw slots and furnishing and installing piezo in accordance with the specifications. This item shall include furnishing and installing lead-in wire, conduit sealant, encapsulation material, backer rod, grout, testing, and accessories. Piezo will be measured in individual units each.

#### **4.14. Pole – 35' Wooden**

Pole – 35' Wooden shall include excavation, furnishing and installing specified wood pole, backfilling and restoring disturbed areas to the satisfaction of the Engineer. Incidental to this item shall be furnishing and installing guy wire, anchor and anchor rod, strand vise, and guy guard, if specified.

Pole – 35' Wooden will be measured in individual units each.

#### **4.15. Signs**

Signs shall be furnished, installed, and measured for payment per the *Standard Specifications for Road and Bridge Construction*.

#### **4.16. Trenching and Backfilling**

Trenching and Backfilling shall include excavation, warning tape, backfilling, temporary erosion control, seeding, protection and restoration of disturbed areas to original condition. This item shall include concrete, asphalt or approved replacement material for sidewalks, curbs, roadways, etc. (if required). Trenching and backfilling will be measured in linear feet.

#### **4.17. Wire or Cable**

Wire or cable shall include furnishing and installing specified wire or cable within saw slot, conduit, junction box, cabinet, or overhead as indicated on the detail sheets. Incidental to this item shall be the labeling of all wires and cables in each junction box, cabinet and splice

box, and furnishing and installing other hardware required for installing cable. Wire or Cable will be measured in linear feet.

**4.18. Wood Post**

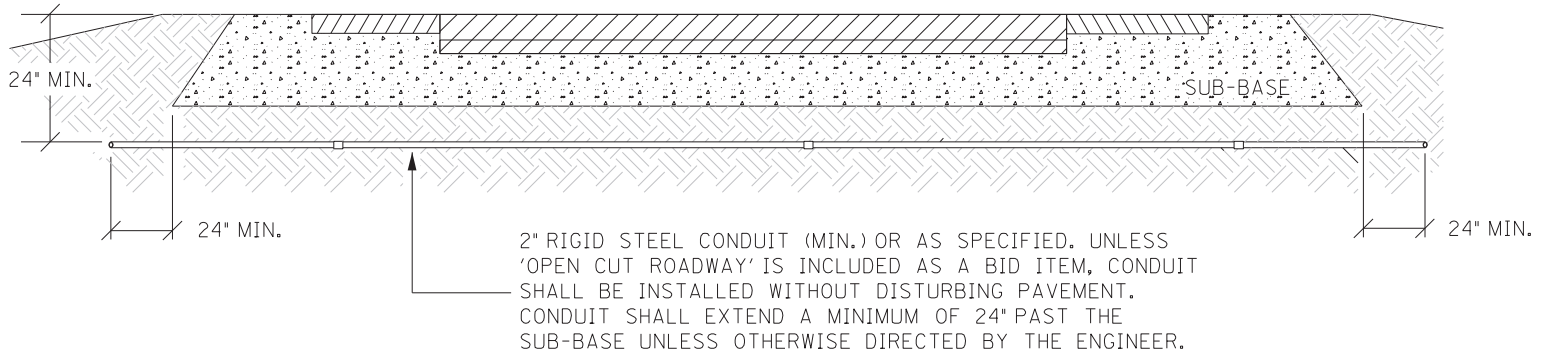
Wood Post shall include furnishing and installing wood post as specified. This item shall include excavation, furnishing and placing concrete (if required), backfilling around the post, and restoration of disturbed areas to the satisfaction of the engineer. Wood Post will be measured in individual units each.

**4.19. Remove and Replace Sidewalk**

Remove and Replace Sidewalk shall include removing existing sidewalk to install conduit and/or junction box (if required) and replacing old existing sidewalk with new sidewalk after installation of required items. This item includes removing old sidewalk and disposing of off the project and forming, pouring and finishing the new sidewalk after installation of required items.

**4.20. Loop Test**

Loop Test includes conducting an operating test on the existing inductance loops at the control cabinet in the presence of the Engineer to determine if the inductance loop conductors have an insulating resistance of a minimum of 100 megohms when tested with a 500-volt direct current potential in a reasonably dry atmosphere between conductors and ground.

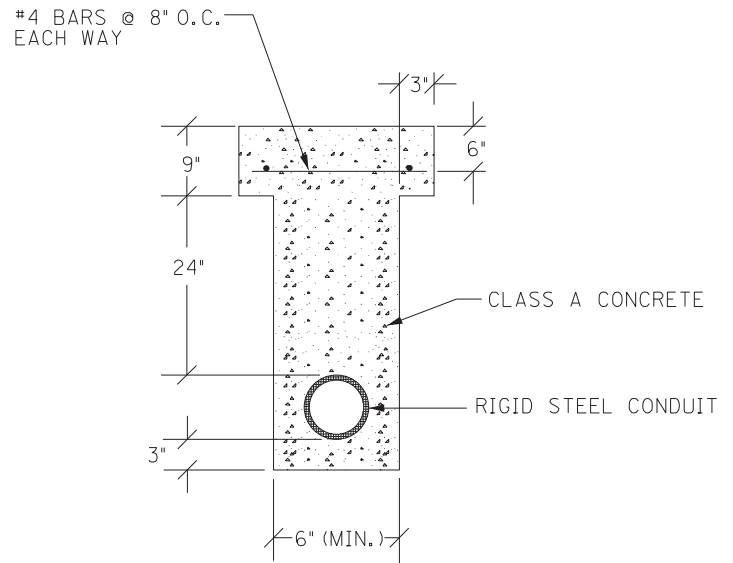
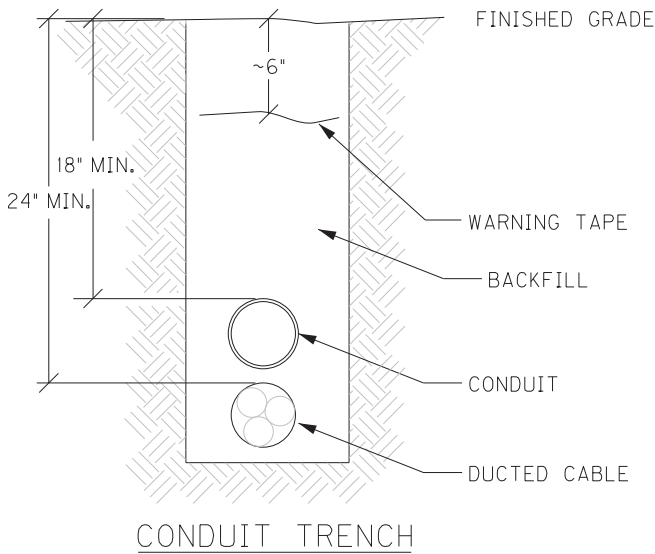


CONDUIT UNDER PAVEMENT

TOTAL TRENCH WIDTH SHALL BE 3" (NOM.) WIDER THAN THE SUM OF THE OUTSIDE DIAMETER(S) OF THE CONDUIT(S) INSTALLED. CONDUIT(S) SHALL BE CENTERED IN TRENCH.

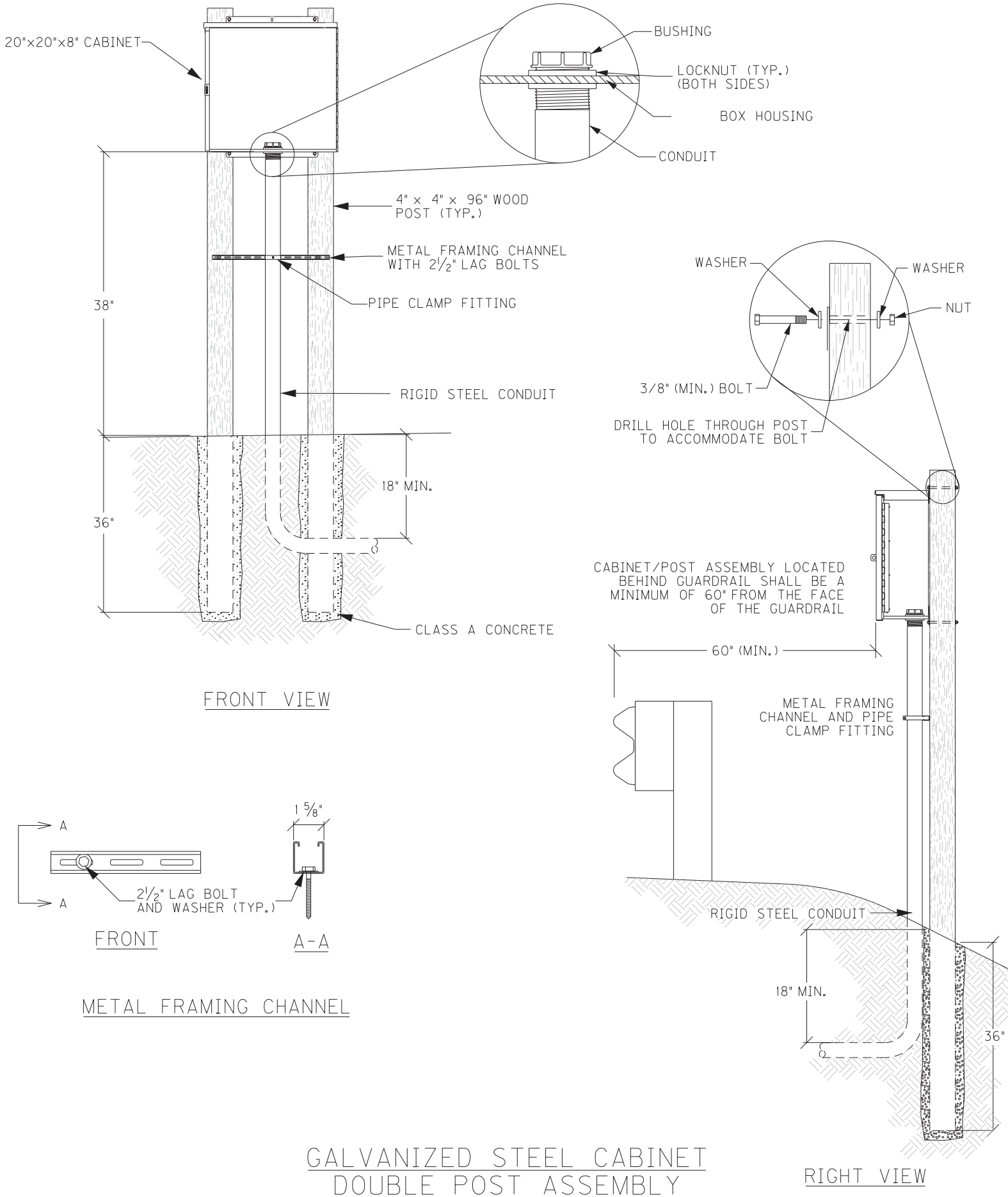
CONTRACTOR SHALL PLACE BACKFILL IN LIFTS (9" MAX.) COMPACT BACKFILL, AND RESTORE DISTURBED AREA TO THE SATISFACTION OF THE ENGINEER

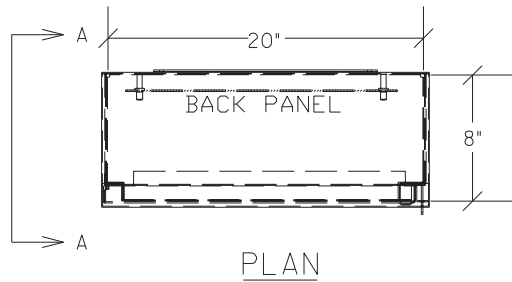
CONTRACTOR SHALL INSTALL UNDERGROUND UTILITY WARNING TAPE ABOVE CONDUIT AS SHOWN.



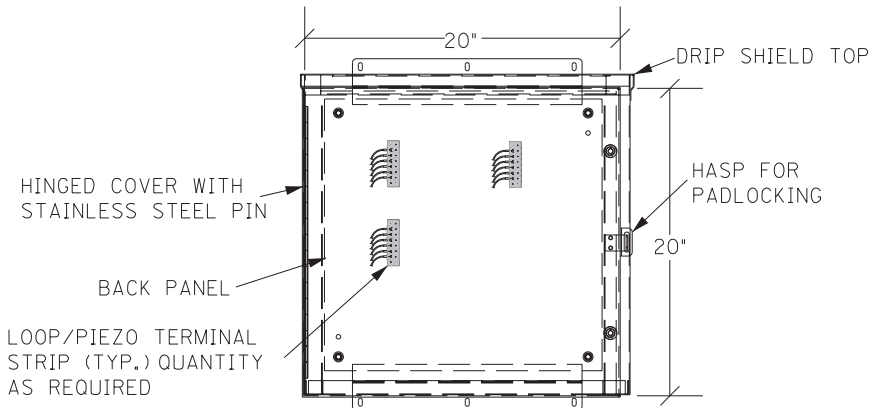
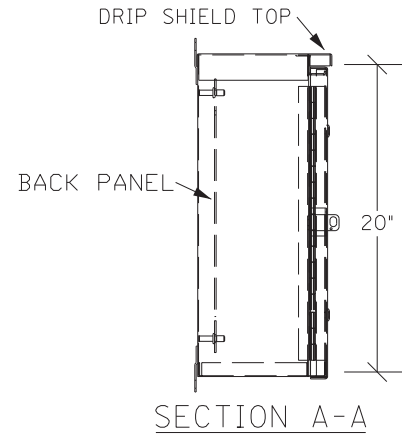
OPEN CUT PAVEMENT DETAIL

CONDUIT INSTALLATION



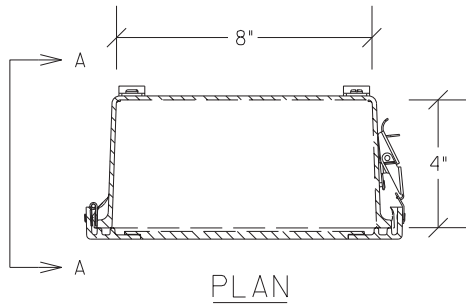


PLAN

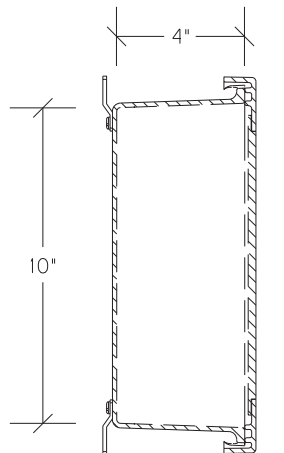


ELEVATION

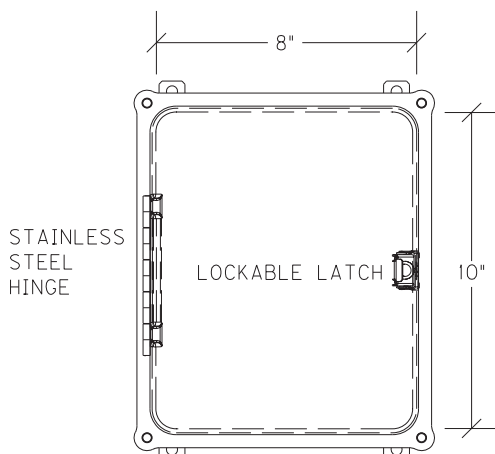
GALVANIZED STEEL CABINET



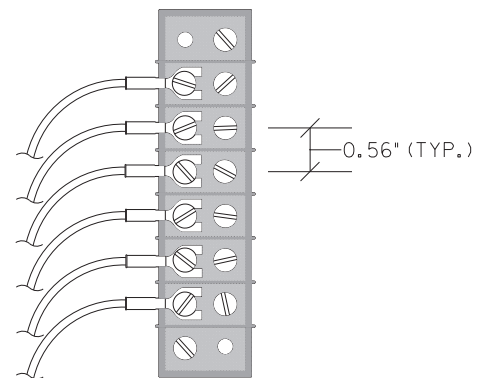
PLAN



SECTION A-A

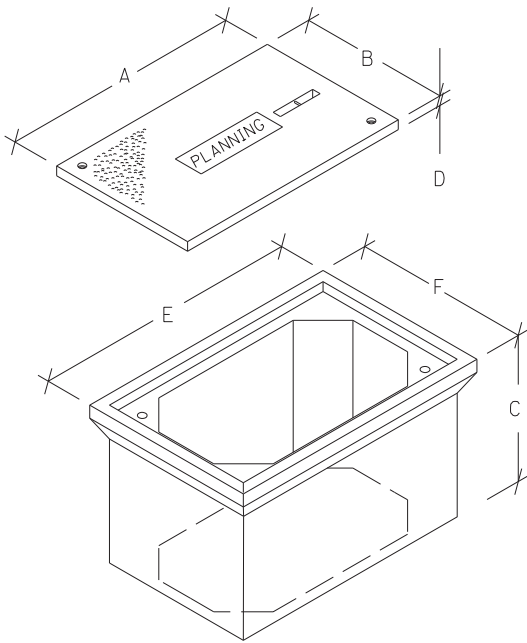


ELEVATION



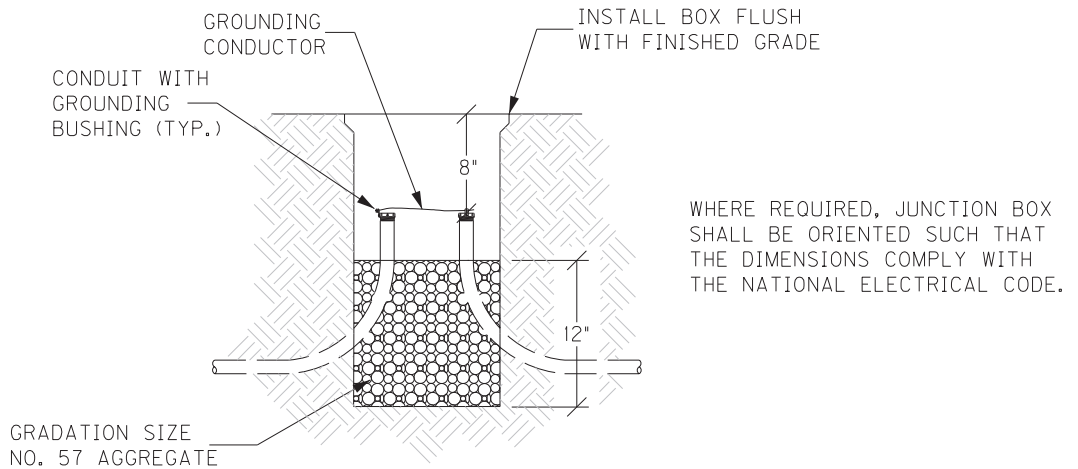
TERMINAL STRIP (TYP.)

JUNCTION BOX 10"X8"X4"

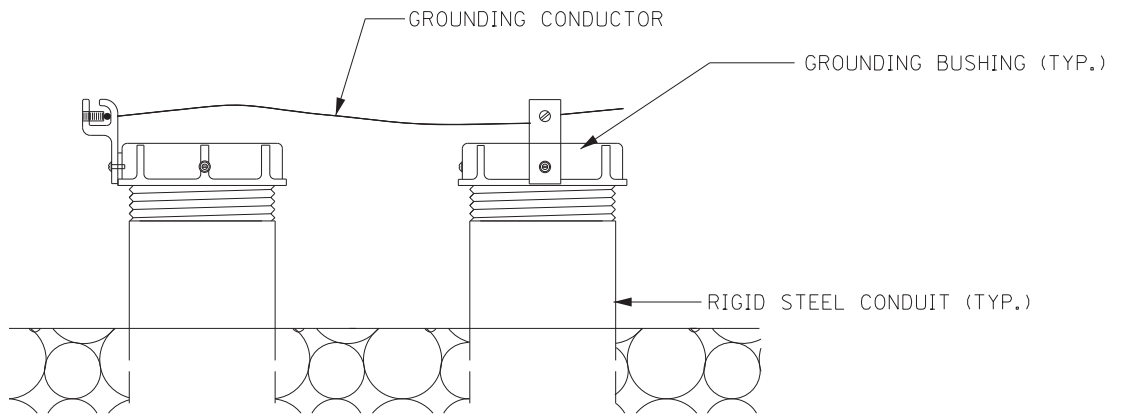


JUNCTION BOX DIMENSIONS (NOMINAL)						
	A	B	C	D*	E	F
TYPE A	23"	14"	18"	2"	25"	16"
TYPE B	18"	11"	12"	1¾"	20"	13"
TYPE C	36"	24"	30"	3"	38"	26"

\* MINIMUM  
STACKABLE BOXES ARE PERMITTED



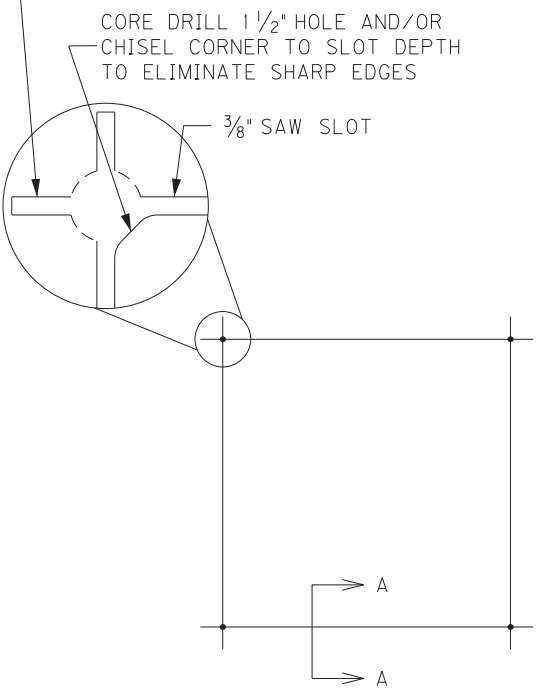
ELEVATION



GROUNDING DETAIL

JUNCTION BOX - TYPE A, TYPE B, TYPE C

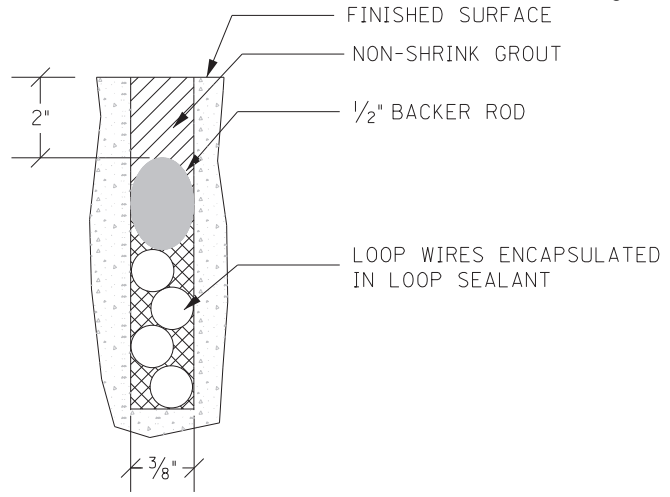
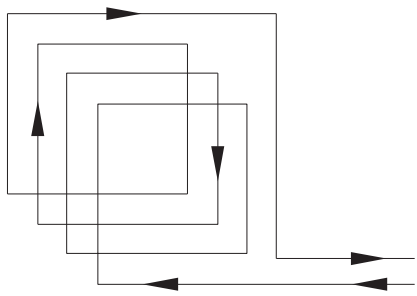
FAYETTE COUNTY  
NHPP IM 0754 (06)



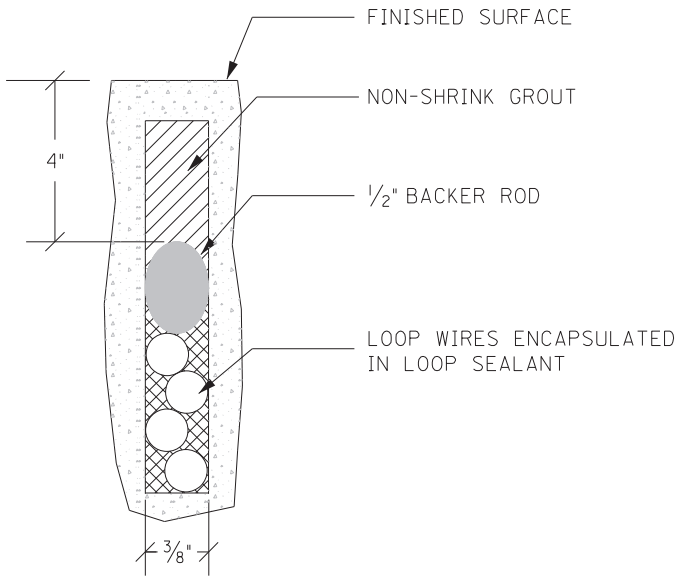
SAW CUT PLAN

UNLESS SPECIFIED OTHERWISE, ALL LOOPS SHALL BE 6' x 6' SQUARE, CENTERED IN EACH LANE, WITH FOUR TURNS OF 14 AWG LOOP WIRE.

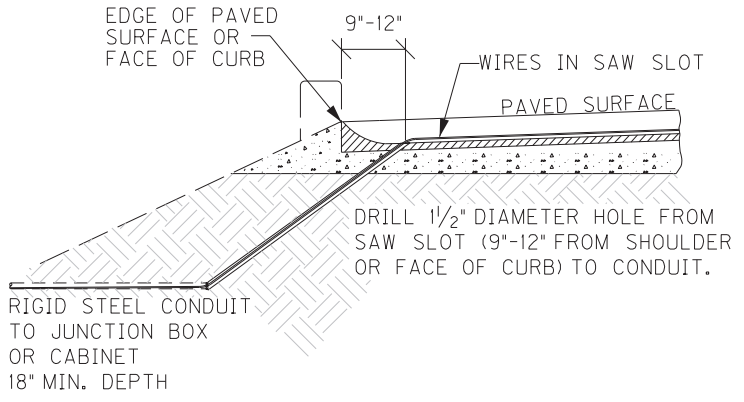
ADJACENT SAW SLOTS SHALL BE A MINIMUM OF 12" APART.



SECTION A-A (CONCRETE)



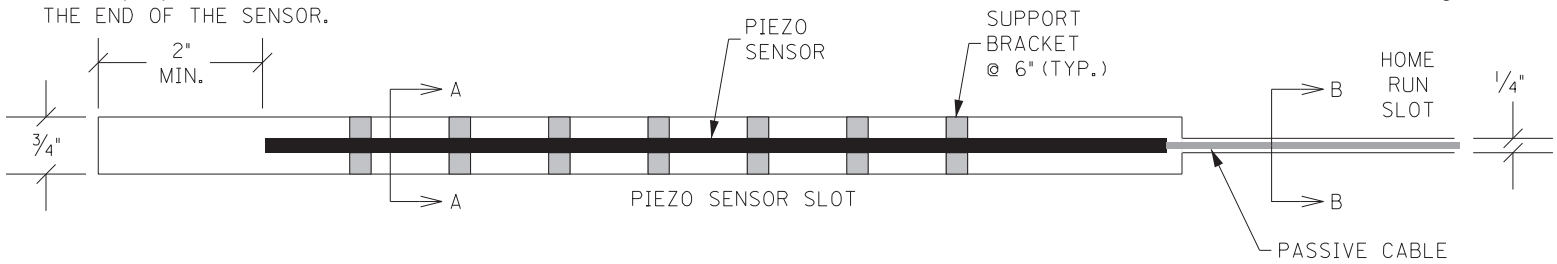
SECTION A-A (ASPHALT)



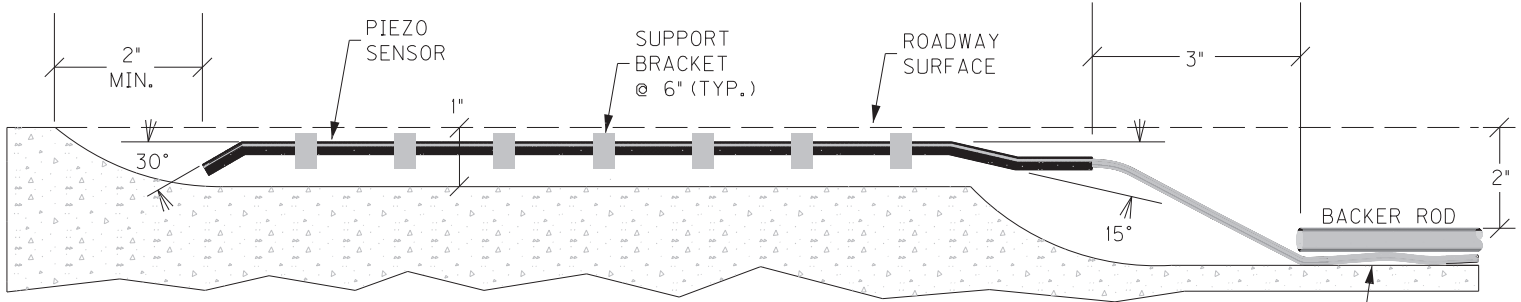
SAW SLOT EDGE OF PAVEMENT TRANSITION

INDUCTIVE LOOP DETECTOR

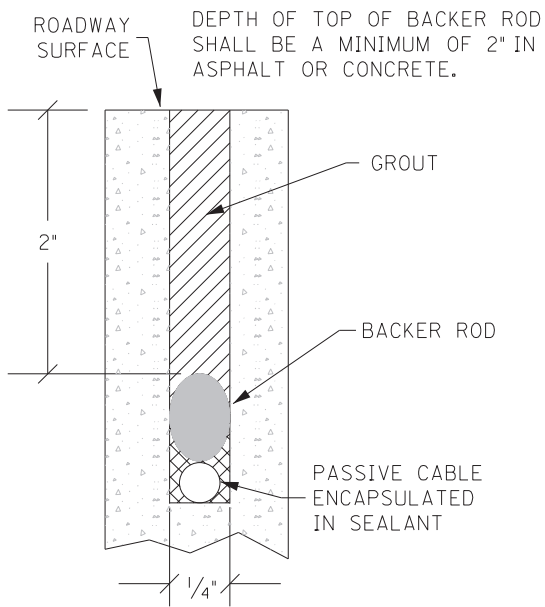
FAYETTE COUNTY  
NHPP IM 0754 (066)  
SAW SLOT A  
2" BEYOND  
THE END OF THE SENSOR.



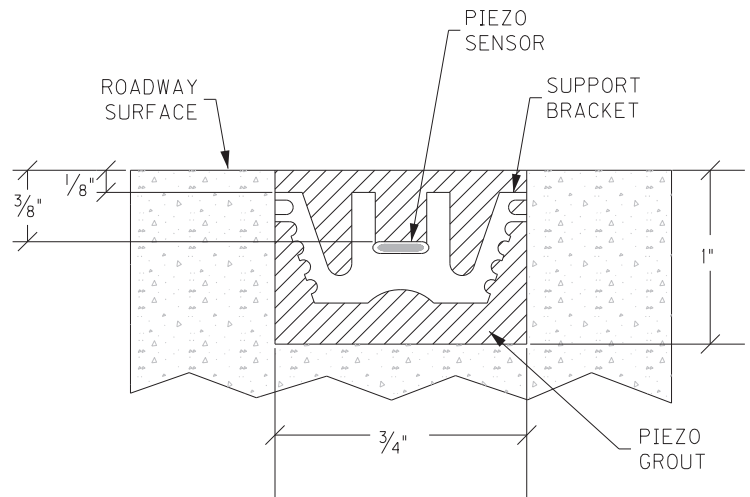
PLAN



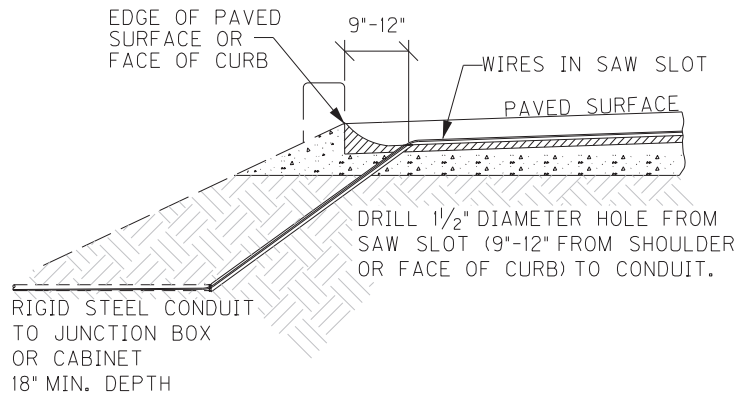
ELEVATION



SECTION B-B



SECTION A-A



SAW SLOT EDGE OF PAVEMENT TRANSITION

PIEZOELECTRIC SENSOR INSTALLATION



### TRAFFIC SIGNAL LOOP DETECTORS QUANTITIES

COUNTY FAYETTE  
PROJECT 7-22116.00  
NUMBERS  
DESCRIPTION I-75 @ EXIT 104  
DATE June 6, 2022  
ESTIMATED BY JRG

TOTAL	UNITS	CODE	ITEM DESCRIPTION
20	LIN FT	4792	CONDUIT 1 INCH
2	EACH	4811	ELECTRICAL JUNCTION BOX TYPE B
140	LIN FT	4820	TRENCHING AND BACKFILLING
925	LIN FT	4830	LOOP WIRE
1,200	LIN FT	4850	CABLE-NO. 14/1 PAIR
350	LIN FT	4895	LOOP SAW SLOT AND FILL
2	EACH	24955ED	REMOVE SIGNAL EQUIPMENT
120	LIN FT	24900EC	PVC CONDUIT - 1 1/4 INCH - SCHEDULE 80
3	EACH	24963ED	LOOP TEST

## SPECIAL NOTE FOR TRAFFIC SIGNAL LOOP DETECTORS

**1.0 DESCRIPTION.** Be advised that there are existing traffic signal loop detectors within the construction limits of this project. Except as specified herein, perform traffic signal loop replacement in accordance with the Department's Standard/Supplemental Specifications, Special Provisions, Special Notes, and Standard/Sepia Drawings, current editions and as directed by the Engineer. Article references are to the Standard Specifications. Furnish all materials, labor, equipment, and incidentals for replacement of traffic signal loop installation(s) and all other work specified as part of this contract.

**1.1 Pre-bid Requirements.** Conform to Subsection 723.03.17

**2.0 MATERIALS.** Except as specified herein, furnish materials in accordance with Subsection 732.02 and Section 835. Provide for materials to be sampled and tested in accordance with the Department's Sampling Manual. Make materials available for sampling a sufficient time in advance of the use of the materials to allow for the necessary time for testing, unless otherwise specified in this Special Note.

**2.1 Maintain and Control Traffic.** See Traffic Control Plan.

**2.2 Sand.** Furnish natural sand meeting the requirements of Subsection 804.04.01.

**2.3 Seeding.** Furnish Seed Mix Type I.

**2.4 Loop Saw Slot and Fill.** Furnish loop sealant, backer rod, and non-shrink grout according to the Saw Slot Detail.

**2.5 Junction Boxes.** Furnish junction box type B, #57 aggregate, and geotextile filter type IV according to junction box detail.

**2.6 Cable No. 14/1 Pair (Lead-in).** Furnish cable that is specified in Section 835. Cable shall be ran splice free. This shall include splice kits to connect to the loop wire.

**2.7 Conduit.** Furnish and install appropriate conduit from transitions to the roadway, junction boxes and poles. See details below.

**3.0 CONSTRUCTION.** Except as specified herein, install and test Traffic Signal Loop Detectors in accordance with Section 723 and the drawings.

**3.1 Testing.** Conform to Subsection 723.03.17 (A)

**3.2 Coordination.** Conform to Subsection 723.03.17 (B)

**3.3 Connection.** Conform to Subsection 723.03.17 (C)

**3.4 Maintain and Control Traffic.** See Traffic Control Plan.

**3.5 Milling.** Conform to Subsection 723.03.17 (F)

**3.6 Loop Saw Slot and Fill.** Conform to Subsection 723.03.13 (A).

Traffic Signal Loop Detectors  
Page 2 of 9

**3.7 Backfilling and Disturbed Areas.** Conform to Subsection 723.03.11.

**3.8 Removal.** Conform to Subsection 723.03.16.

**3.9 Property/Roadway Damage.** Conform to Subsection 723.03.17 (J).

**3.10 Right-of-Way Limits.** Conform to Subsection 723.03.17 (K).

**3.11 Utility Clearance.** Conform to Subsection 716.03.01.

**3.12 Control.** Obtain the Engineer’s approval of all designs required to be furnished by the Contractor prior to incorporation into the work. The Department reserves the right to permit other contractors, state forces, public utility companies, and others to do work during the construction within the limits of, or adjacent to, the project. Conduct operations and cooperate with such other parties so that interference with each other’s work will be reduced to a minimum. The Contractor agrees to make no claims against the Department for additional compensation due to delays or other conditions created by the operations of such other parties. Should a difference of opinion arise as to the rights of the Contractor and others working within the limits of, or adjacent to, the project, the Engineer will decide as to the respective rights of the various parties involved in order to ensure the completion of the work in general harmony and in a satisfactory manner, and the Engineer’s decision shall be final and binding upon the Contractor.

**3.13 Bore and Jack.** Conform to Subsection 723.03.06 (I).

**3.14 Open Cut Roadway.** Conform to Subsection 723.03.06 (I).

**4.0 MEASUREMENT.** See Subsection 723.04 for bid item notes. Additional bid items include the following:

**4.1 Loop Test.** The Department will measure the quantity as each individual unit loop tested. The Department will not measure disconnection, reconnection, traffic control, re-splicing per specifications, before and after testing per note above, and any associated hardware for payment and will consider them incidental to this item of work.

**4.2 Remove Signal Equipment.** The department will measure the quantity by each. The department will not measure backfilling and the disposal or transportation of equipment and materials associated with any structural or electrical component of the signal system including, but not limited to pole bases, poles, junction boxes, cabinets, and wood poles for payment and will consider them incidental to this item of work.

**5.0 PAYMENT.** The Department will make payment for the completed and accepted quantities of listed items according to Subsection 723.05 in addition to the following:

<u>Code</u>	<u>Pay Item</u>	<u>Pay Unit</u>
Conduit 1”	4792	Linear Foot
PVC Conduit – 1 ¼ inch – sch 80	24900EC	Linear Foot

Traffic Signal Loop Detectors  
Page 3 of 9

PVC Conduit – 2 inch – sch 80	24901EC	Linear Foot
Conduit 2”	4795	Linear Foot
Electrical Junction Box type B	4811	Each
Loop Test	24963ED	Each
Trenching and Backfilling	4820	Linear Foot
Loop Wire	4830	Linear Foot
Cable-No. 14/1 Pair	4850	Linear Foot <sup>1</sup>
Loop Saw Slot and Fill	4895	Linear Foot <sup>1</sup>
Bore and Jack Conduit	21543EN	Linear Foot <sup>3</sup>
Open Cut Roadway	4821	Linear Foot <sup>3</sup>
Remove Signal Equipment	24955ED	each

The Department will consider payment as full compensation for all work required under these notes and the Standard Specifications.

Contrary to section 723:

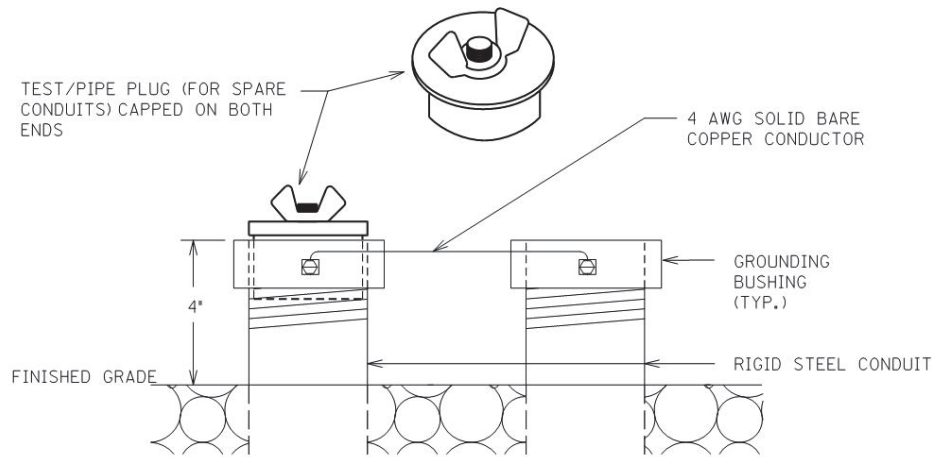
SUBSECTION: 03.13 Loop Installation.

REVISION: Replace first sentence note with the following:

twist unshielded loop wire (imsa 51-7) with 3 to 5 turns from the start of homerun to the inside conduit, junction box, cabinet, or pole. Twist unshielded loop wires (imsa 51-7) with 3 to 5 turns per foot from the start of the homerun to the junction box, cabinet, or pole. Slot can be widen to .5" to .625" to help with the installation of the twisted wire.

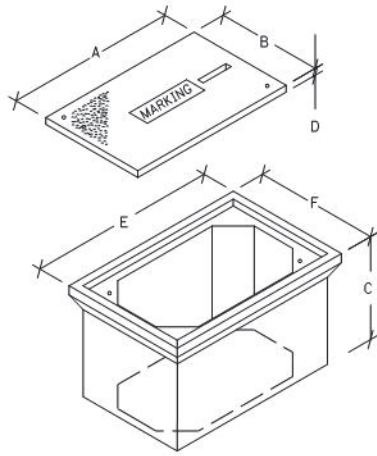
# Traffic Signal Loop Detectors

Page 4 of 9



TEST/PIPE PLUG(FOR SPARE CONDUITS) AND GROUNDING DETAIL

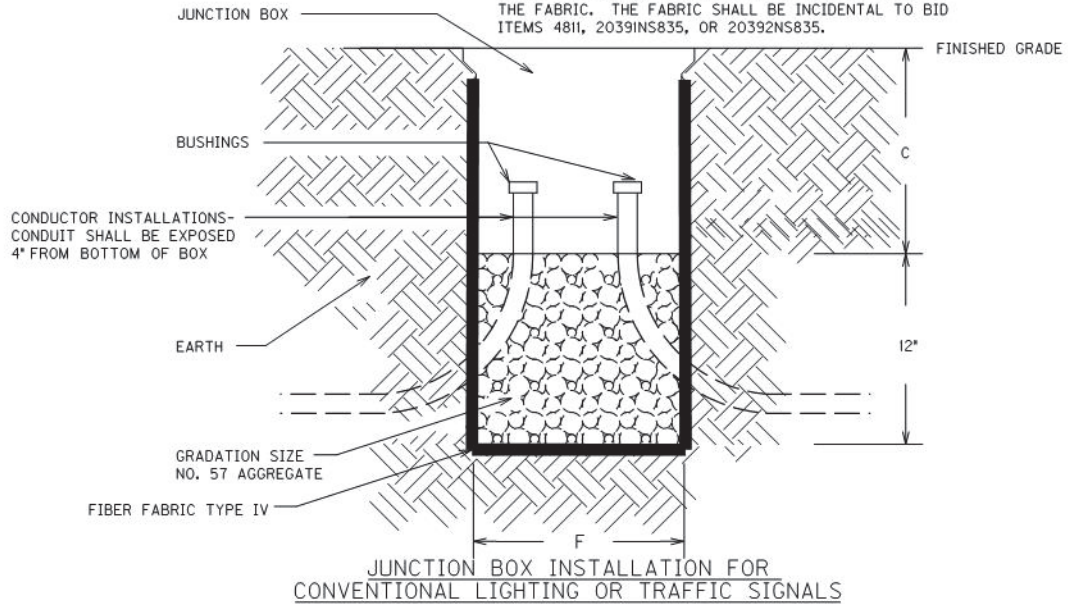
Traffic Signal Loop Detectors  
Page 5 of 9



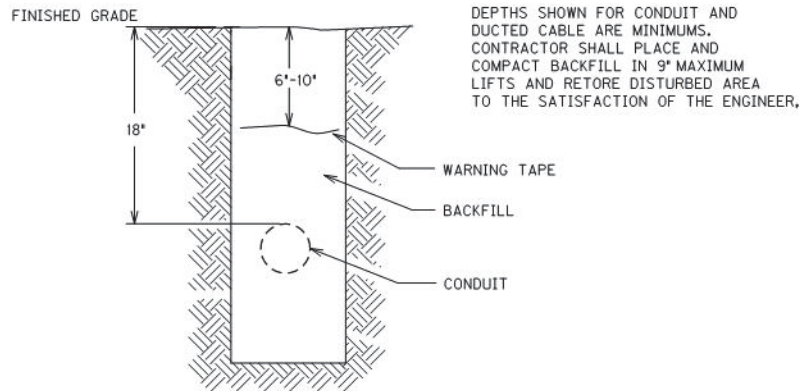
JUNCTION BOX DIMENSIONS (NOMINAL)						
	A	B	C	D	E	F
TYPE A	23"	14"	27"	2"	25"	15"
TYPE B	18"	11"	12"	1 3/4"	20"	13"
TYPE C	36"	24"	30"	3"	38"	26"

• MINIMUM  
NOTE: STACKABLE BOXES ARE PERMITTED

BEFORE THE INSTALLATION OF THE #57 AGGREGATE AND JUNCTION BOX, THE CONTRACTOR SHALL INSTALL GEOTEXTILE FILTER FABRIC TYPE IV IN THE HOLE. THE FABRIC SHALL EXTEND TO JUST BELOW THE LIP OF THE JUNCTION BOX AND SHALL BE CONTINUOUSLY ADHERED TO THE EXTERIOR OF THE BOX WITH ADHESIVE. ANY LOCATIONS WHERE CONDUITS ENTER THE BOX, THE FABRIC SHALL BE 'X CUT' ONLY AS MUCH AS NECESSARY TO ALLOW PASSAGE OF EACH INDIVIDUAL CONDUIT THROUGH THE FABRIC. THE FABRIC SHALL BE INCIDENTAL TO BID ITEMS 4811, 20391NS835, OR 20392NS835.



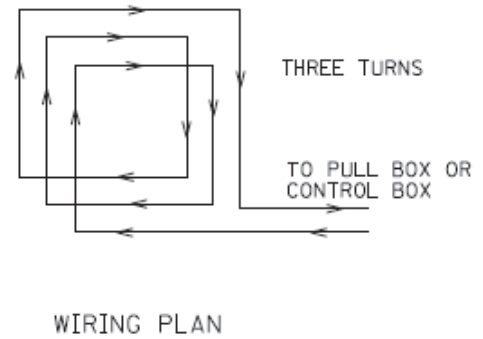
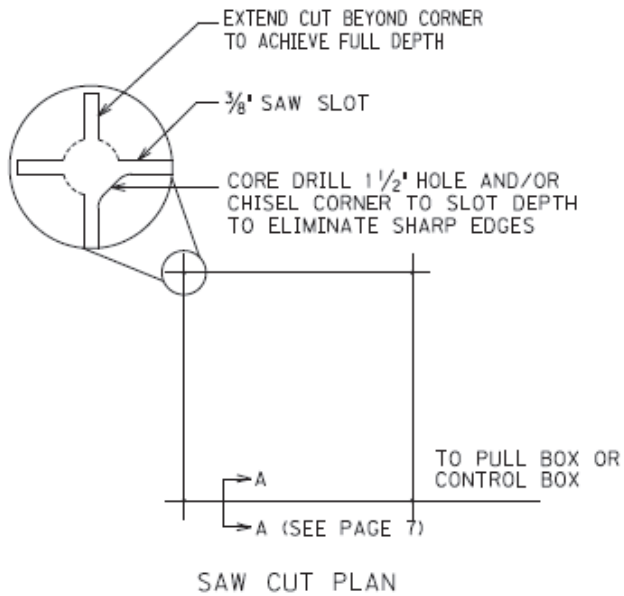
JUNCTION BOX INSTALLATION FOR CONVENTIONAL LIGHTING OR TRAFFIC SIGNALS



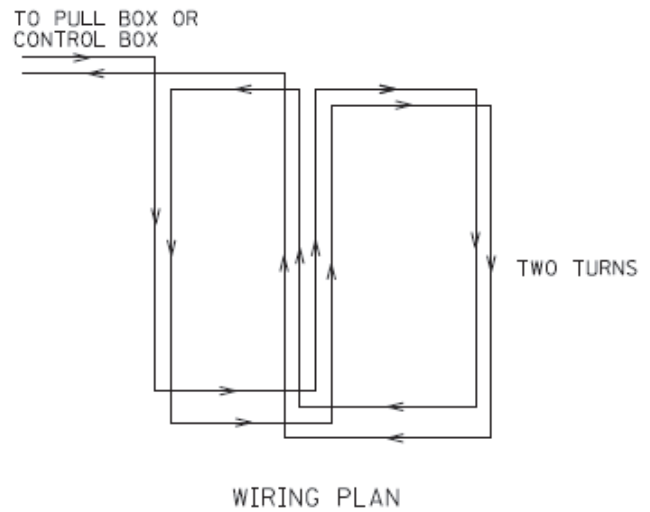
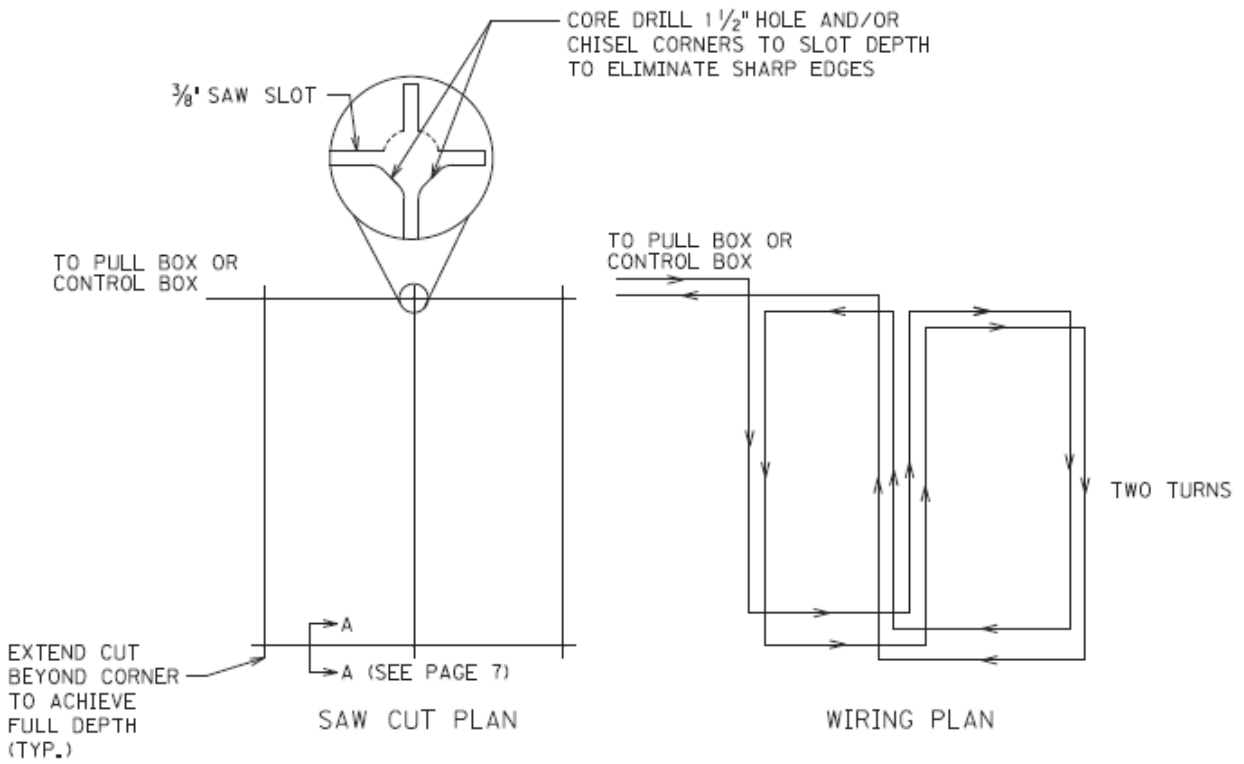
CONDUIT AND WARNING TAPE TRENCH

# Traffic Signal Loop Detectors

Page 6 of 9

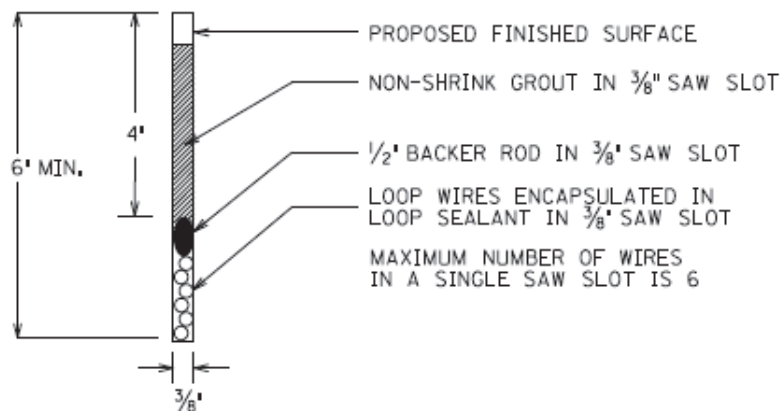


6'X6' LOOP

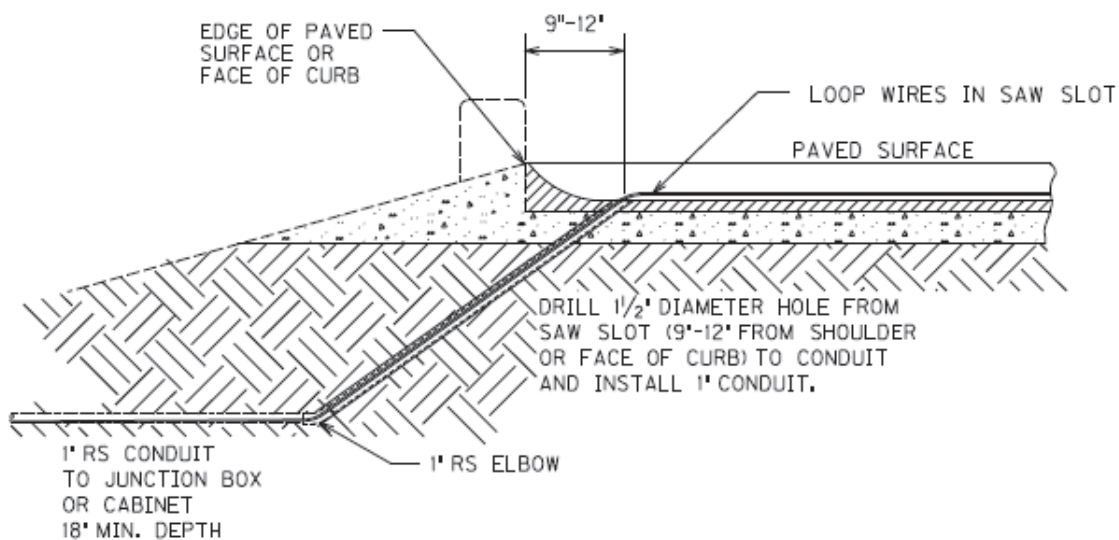


6'X30' QUADRAPOLE LOOP

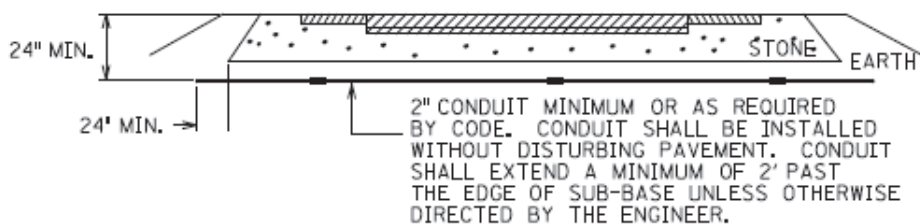
Traffic Signal Loop Detectors  
Page 7 of 9



SECTION A-A (SAW SLOT DETAIL)



SAW SLOT EDGE OF PAVEMENT TRANSITION

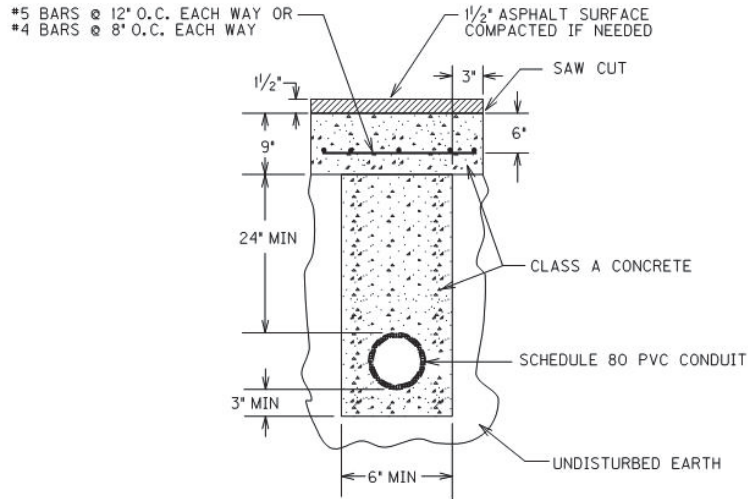


CONDUIT UNDER EXISTING PAVEMENT DETAIL

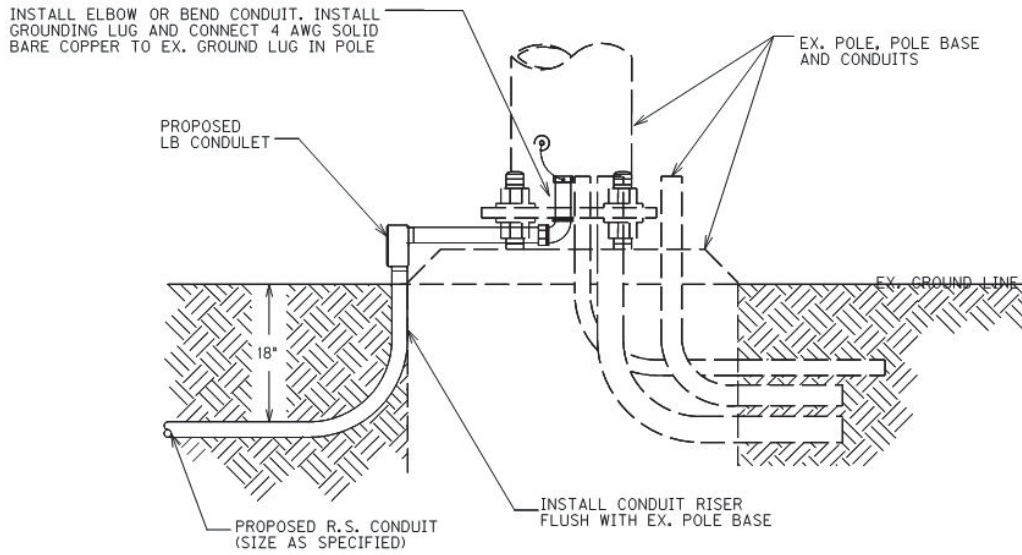


# Traffic Signal Loop Detectors

Page 8 of 9

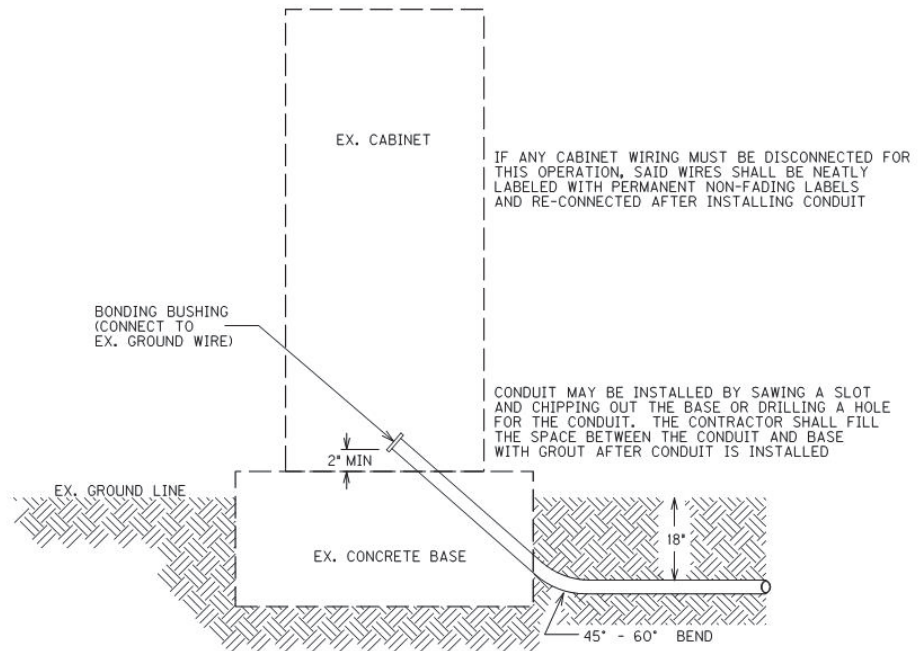


OPEN CUT PAVEMENT DETAIL



CONDUIT INSTALLATION IN EX. POLE BASE

Traffic Signal Loop Detectors  
Page 9 of 9



CONDUIT INSTALLATION IN EX. CABINET BASE

Update: 4-5-2022

**TRAFFIC CONTROL PLAN  
I-75 REHABILITATION PROJECT  
FAYETTE COUNTY  
ITEM NO. 7-22116.00**

---

**THIS PROJECT IS FOR A FULLY  
CONTROLLED ACCESS HIGHWAY**

**TRAFFIC CONTROL GENERAL**

Except as provided herein, "Maintain and Control Traffic" shall be in accordance with the 2019 Standard Specifications and the 2020 Standard Drawings, current editions. Except for the roadway and traffic control bid items included in the project, all items of work necessary to maintain and control traffic will be paid at the lump sum bid price to "Maintain and Control Traffic". All lane closures used on the Project will be in compliance with the appropriate Standard Drawings and the Manual on Uniform Traffic Control Devices (MUTCD), current edition.

Contrary to Section 106.01, traffic control devices used on this project may be new, or used in like new condition at the beginning of the work and maintained in like new condition until completion of the work. Traffic control devices will conform to current MUTCD.

Reduce the speed limit in work areas to 55 miles per hour and establish double fines for work zone speeding violations. The extent of these areas within the project limits will be restricted to the proximity of actual work areas as determined by the Engineer. Notify the Engineer a minimum of 12 hours prior to using the double fine signs. At the beginning of the work zone, the "WARNING FINE DOUBLED IN WORK ZONE" signs will be dual mounted. At the end of the work zone, the "END DOUBLE FINE" signs will be dual mounted as well. Remove or cover the signs when the highway work zone does not have workers present for more than a two-hour period of time. Payment for the signs will be at the unit bid price for temporary signs. Any relocation or covering of the signs will be incidental to "Maintain and Control Traffic".

**PROJECT PHASING & CONSTRUCTION PROCEDURES**

This project has a fixed completion date. See the special note for Fixed Completion Date and Liquidated Damages.

Lane closures will only be permitted during the following days and times:

- Single lane closures will be permitted at any time except during the noted holidays.
- Double lane closures will only be permitted beginning at 8 PM and are to be reopened by 6 AM the following morning.

Only one closure in each direction may be in place at the any time.

No lane closures will be permitted during the following holidays:

#### 2022 Calendar Year

- Labor Day – 6:00 A.M. September 2<sup>nd</sup> to 6:00 A.M. September 7<sup>th</sup>
- Thanksgiving Day – 6:00 A.M. November 23<sup>rd</sup> to 6:00 A.M. November 28<sup>th</sup>
- Christmas Day – 6:00 A.M. December 23<sup>rd</sup> to 6:00 A.M. December 27<sup>th</sup>

#### 2023 Calendar Year

- New Year's Day – 6:00 A.M. December 30<sup>th</sup>, 2022 to 6:00 A.M. January 3<sup>rd</sup>
- Memorial Day – 6:00 A.M. May 26<sup>th</sup> to 6:00 A.M. May 31<sup>st</sup>
- July 4<sup>th</sup> - - 6:00 A.M. June 30<sup>th</sup> to 6:00 A.M. July 6<sup>th</sup>
- Labor Day – 6:00 A.M. September 1<sup>st</sup> to 6:00 A.M. September 6<sup>th</sup>

The Engineer may specify additional days and hours when lane closures are not allowed.

Refer to the special note for Fixed Completion Date and Liquidated Damages for damage rates per hour associated with failure to maintain the required number of lanes during the specified time.

Note that lane closures are required for the project. Stripe and taper according to the MUTCD and Standard Drawings. Lane closures will be incidental to the "Maintain and Control Traffic" bid item.

During the days and hours when a lane closure is allowed maintain traffic as specified in the phasing notes and typical sections included in these plans. Maintain access to and from the ramps at the US 25 and KY 418 interchanges according to the MUTCD unless a ramp is closed during an allowed closure period as specified in these notes.

Shoulders used as temporary roadways will be inspected by the Engineer and if deemed necessary by the Engineer, repaired with Asphalt Mixture for Leveling & Wedging as directed prior to opening to traffic.

The contractor must notify the Engineer at least fourteen (14) days prior to the beginning of each construction phase.

#### **PHASE 1A (PAVEMENT LANE AND JOINT REPAIRS)**

Note: All Pavement Lane and Pavement Joint repairs are on Southbound I-75 and are to be performed by November 15, 2022 as noted in the special note for Fixed Completion Date and Liquidated Damages. No work on Northbound I-75 is proposed in this phase.

Between 8 PM and 6 AM use lane closures to reduce traffic to one lane. Shift traffic as needed to perform the Pavement Lane and Pavement Joint Repairs. Maintain a minimum clear lane width of 12 feet at all times.

Reopen the repaired lanes to traffic for a minimum of seven (7) days prior to performing the milling & paving operation.

### **PHASE 1 (MILL & INLAY)**

#### Inside Lane And Shoulder:

Use a lane closure to reduce traffic to two lanes, closing the inside lane to traffic.

Between the hours of 8 PM and 6 AM each evening use an additional lane closure to close the center lane, leaving only the outside lane open to traffic. Perform the milling & inlay operation shown on the Typical Sections for the inside lane and 3 foot of the inside shoulder. Do not install the rumble strips on the inside shoulder until Phase 3.

Any other work shown in the Proposal for the inside shoulder, such as guardrail or drainage repairs, must be completed in this phase.

### **PHASE 2 (MILL & INLAY)**

#### Outside Lane And Shoulder:

Use a lane closure to reduce traffic to two lanes and shift traffic onto the inside lane and shoulder. Perform the milling & inlay operation shown on the Typical Sections for the outside lane and shoulder. Do not install the rumble strips on the outside shoulder until Phase 3.

#### Center Lane:

Work on the center lane shall only be performed between 8 PM and 6 AM when traffic may be reduced to one lane.

Use lane closures to reduce traffic to one lane and shift traffic onto the inside shoulder. Perform the milling & inlay operation shown on the Typical Sections for the center lane.

Guardrail replacement, eroded slope repairs, and any work outside of the outside paved shoulder must be completed in this phase.

### **PHASE 3 – PERMANENT STRIPING**

After all other work is completed, or when approved by the Engineer, install the permanent striping, inlaid pavement markers, and edgeline rumble strips. Mobile operations may be utilized.

## **RAMPS**

### I-75/US 25 Interchange Ramps:

The Contractor will be allowed to close all four single lane ramps in the I-75/US 25 interchange at Clays Ferry from 8 PM on a Friday Night until 6 AM the following Monday morning to perform all work on a ramp. Only one ramp in the interchange may be closed in a weekend.

### I-75/KY 418 Interchange Ramps

Work on Ramps B, C, and D will be performed part-width under traffic. Refer to the Maintenance of Traffic Typical Sections for details on how traffic on these ramps are to be maintained during construction.

Ramp A (Northbound I-75 entrance ramp) may be closed from 8 PM on a Friday night until 6 AM the following Monday morning to perform all work on the ramp.

Detour signing for ramp closures shall be performed by the Contractor. The Contractor will provide detour signing plans to the Engineer prior to placement. Payment will be made for the signs at the unit bid price for Item No. 2562 Temporary Signs. All other costs associated with signing the detour will be considered incidental to Item No. 2650 Maintain And Control Traffic.

## **SHOULDER PREPARATION AND RESTORATION**

Prior to placing any lane closures that require shifting traffic onto existing shoulders, patch and remove any foreign debris on the shoulders as directed by the Engineer. Removal of failed materials and additional patching shall be performed by the Contractor as directed by the Engineer during the time the shoulder is used as a travel lane. DGA and Leveling and Wedging PG76-22 will be paid at the Contract unit bid prices; all other shoulder preparation, maintenance, and restoration shall be incidental to other items of work.

## **LANE CLOSURES**

Limit the lengths of lane closures to only that needed for actual operations in accordance with the phasing specified herein, or as directed by the Engineer. Only one lane closure in each direction at any time will be permitted. Contrary to section 112, lane closures will **NOT** be measured for payment, but are considered incidental to "Maintain and Control Traffic".

## **SIGNS**

Additional traffic control signs in addition to normal lane closure signing detailed on the Standard Drawings may be required by the Engineer. Additional signs needed for lane closures may include, but are not limited to, dual mounted TRUCKS USE LEFT/RIGHT LANE, LEFT/RIGHT LANE CLOSED 1 MILE, LEFT/RIGHT LANE CLOSED 2 MILE, LEFT/RIGHT LANE CLOSED 3 MILE, SLOWED/STOPPED TRAFFIC AHEAD. Signage for reduced speed limits and double fine work zones will be furnished, relocated, and maintained by the Contractor.

Contrary to section 112, individual signs will be measured only once for payment, regardless of how many times they are set, reset, removed, and relocated during the duration of the project. Replacements for damaged signs or signs directed to be replaced by the Engineer due to poor legibility or reflectivity will not be measured for payment.

### **FLASHING ARROWS**

Flashing arrows will be paid for once, no matter how many times they are moved or relocated. The Department **WILL NOT** take possession of the flashing arrows upon completion of the work.

### **PORTABLE CHANGEABLE MESSAGE SIGNS**

The Portable Changeable Message Signs are being bid independently of the Queue Warning System and shall be used as directed by the Engineer. The messages required to be provided will be designated by the Engineer. The PCMS will be in operation at all times. In the event of damage or mechanical/electrical failure, the contractor will repair or replace the PCMS immediately. PCMS will be paid for once, no matter how many times they are moved or relocated. The Department **WILL NOT** take possession of the PCMS upon completion of the work.

### **TRUCK MOUNTED ATTENUATORS**

Furnish and install MUTCD approved truck mounted attenuators (TMA) in advance of work areas when workers are present less than 12 feet from traffic. If there is less than 500 feet between work sites, only a single TMA will be required at a location as directed by the Engineer. Locate the TMAs at the individual work sites and move them as the work zone moves within the project limits. All details of the TMA installations shall be approved by the Engineer. TMA will not be measured for payment, but are incidental to "Maintain and Control Traffic". The Department **WILL NOT** take possession of the TMAs upon completion of the work.

### **PAVEMENT MARKINGS**

If lane closures are in place during nighttime hours, remove or cover the lenses of raised pavement markers that do not conform to the traffic control scheme in use, or as directed by the Engineer. Replace or uncover lenses before a closed lane is reopened to traffic. No direct payment will be made for removing and replacing or covering and uncovering the lenses, but will be incidental to "Maintain and Control Traffic," lump sum.

Any striping removal (temporary or permanent) shall be removed by waterblasting. Waterblasting and removal of temporary tape will be considered incidental to the "Maintain and Control Traffic" bid item.

Temporary striping will be paid for by the appropriate bid item shown in the General Summary. Place temporary striping in accordance with Section 112, except that:

1. Temporary striping will be 6" in width.

2. If the contractor's operations or phasing requires temporary markings which must be subsequently removed from the ultimate pavement, an approved removable lane tape will be used.
3. Edge lines will be required for temporary striping.
4. Existing, temporary, or permanent striping will be in place before a lane is opened to traffic.

Should the Contractor change the existing striping pattern, the Contractor is to restripe the roadway back to its original configuration if no work is anticipated for a period of two (2) weeks, unless directed otherwise by the Engineer.

### **PAVEMENT EDGE DROP-OFFS**

No vertical drop-off greater than two inches may occur between adjacent lanes where traffic is expected to cross in a lane-change maneuver.

Pavement edge drop-offs shall be treated as follows:

Less than 2" – No protection required. Warning signs should be placed in advance of and throughout the drop-off area in accordance with the MUTCD.

2" to 4" – Protect with a lane or shoulder closure. Place plastic drums, vertical panels, or barricades every 50 feet. Construct a wedge with compacted cuttings from milling, DGA, or asphalt mixtures with a 3:1 or flatter slope, when work is not active in the drop-off area. Place Type III Barricades at the beginning of the lane or shoulder closures, and place additional Type III Barricades spaced at 2,500 feet during the time the lane closure is in place.

4" and greater - Drop-offs 4" or greater will be allowed during the duration of the project. Protect with a lane or shoulder closure using drums, cones, or barricades. Place drums, or barricades with spacing not to exceed 20 feet and appropriate lighting should be utilized to illuminate the area during nighttime operations. Place Type III Barricades facing oncoming traffic at each drop off. If for any reason traffic must be maintained less than 6 feet from the drop off, wedge with compacted cuttings from milling, DGA, or asphalt mixtures on a 3:1 or flatter slope when work is not actively in progress in the drop-off area. Once excavation begins, work continuously to eliminate the drop-off. Drop-offs greater than 4 inches within 6 feet of traffic will not be allowed during non-working hours.

Guardrail Installation – All areas from which guardrail is removed shall be protected by a shoulder closure or other method approved by the Engineer until the new guardrail is installed.

### **TYPE III BARRICADES**

Type III Barricades will be considered incidental to the Maintain And Control Traffic bid item.



## **TRAFFIC COORDINATOR**

Be advised this project is a significant project pursuant to section 112.03.12.

Designate an employee to be traffic coordinator. The designated Traffic Coordinator must be certified in accordance with Department's 2019 Standard Specifications Sec. 112.03.12. The Traffic Coordinator will inspect the project maintenance of traffic once daily, including weekends, during the Contractor's operations and at any time a lane closure is in place. The Traffic Coordinator will report all incidents throughout the work zone to the Engineer on the project. The Contractor will furnish the name and telephone number where the Traffic Coordinator can be contacted at all times.

During any period when a lane closure is in place, the Traffic Coordinator will arrange for personnel to be present on the project at all times to inspect the traffic control and maintain the signing and devices. The personnel will have access on the project to a radio or telephone to be used in case of emergencies or accidents.

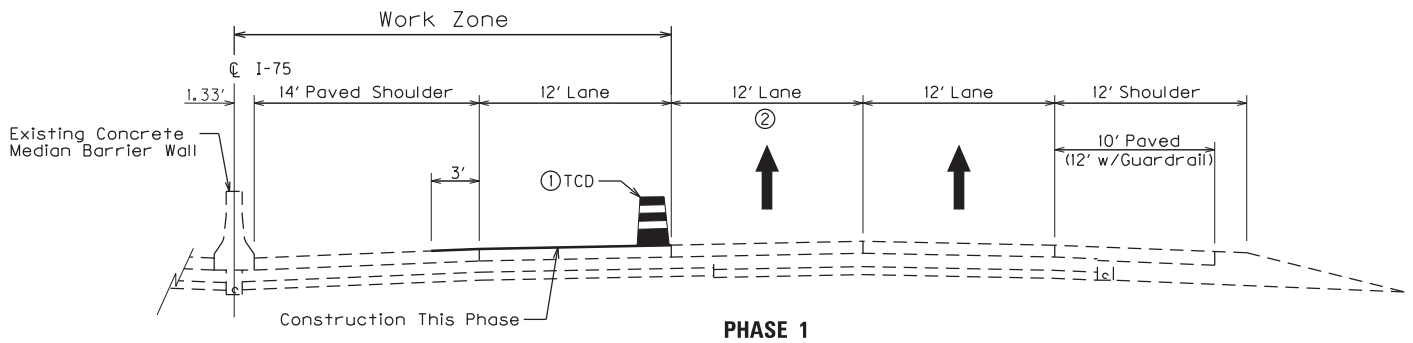
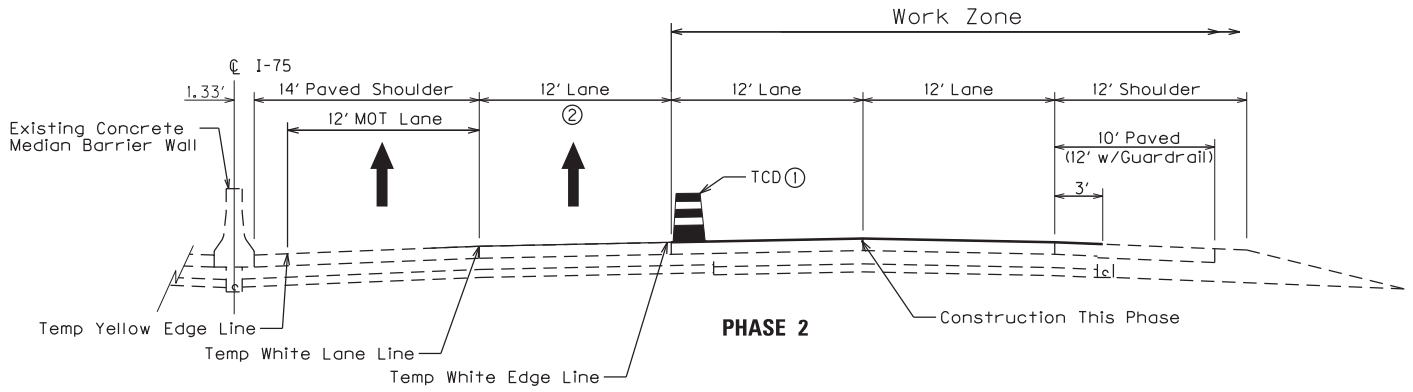
## **COORDINATION OF WORK**

The Contractor is advised that other projects may be in progress within or in the near vicinity of this project. The traffic control of those projects may affect this project and the traffic control of this project may affect those projects. The Contractor will coordinate the work on this project with the work of the other contractors. In case of conflict, the Engineer will determine the relative priority to give to work phasing on the various projects.

## **CONTRACTOR'S AND CONTRACTOR'S EMPLOYEES' VEHICLES**

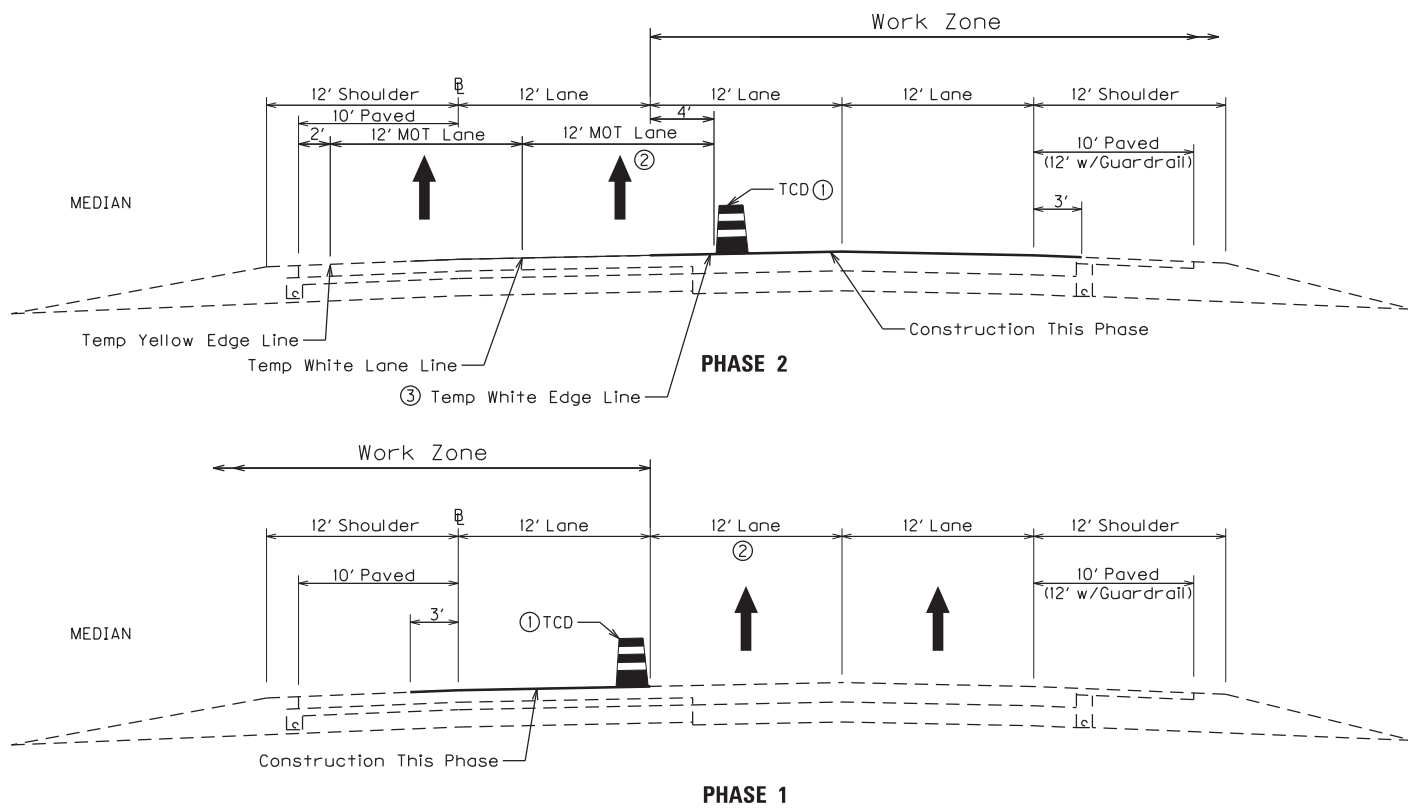
Do not use or allow employees to use median crossovers at any time except when inside lanes are closed for construction. In all other phases of construction, change vehicular direction of travel only at interchanges.

# MAINTENANCE OF TRAFFIC TYPICAL SECTIONS NORTHBOUND I-75 COMMON MEDIAN



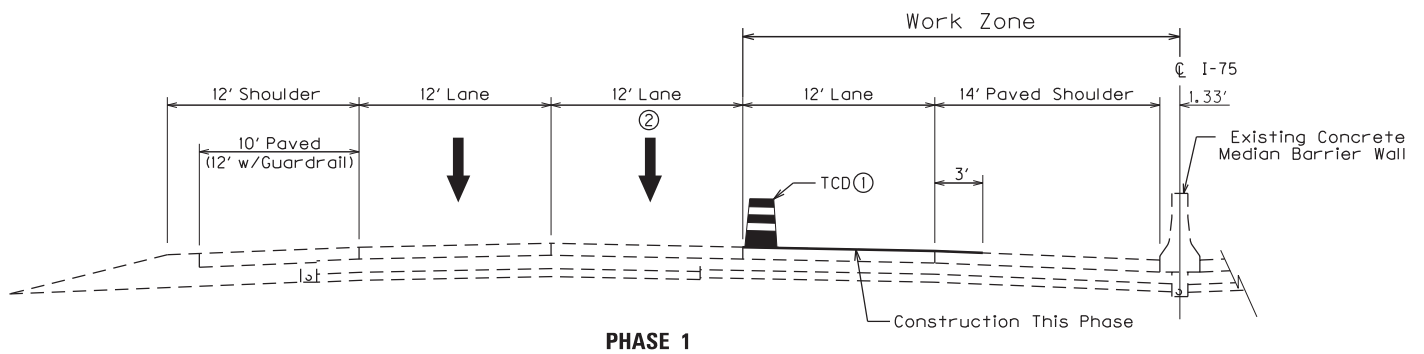
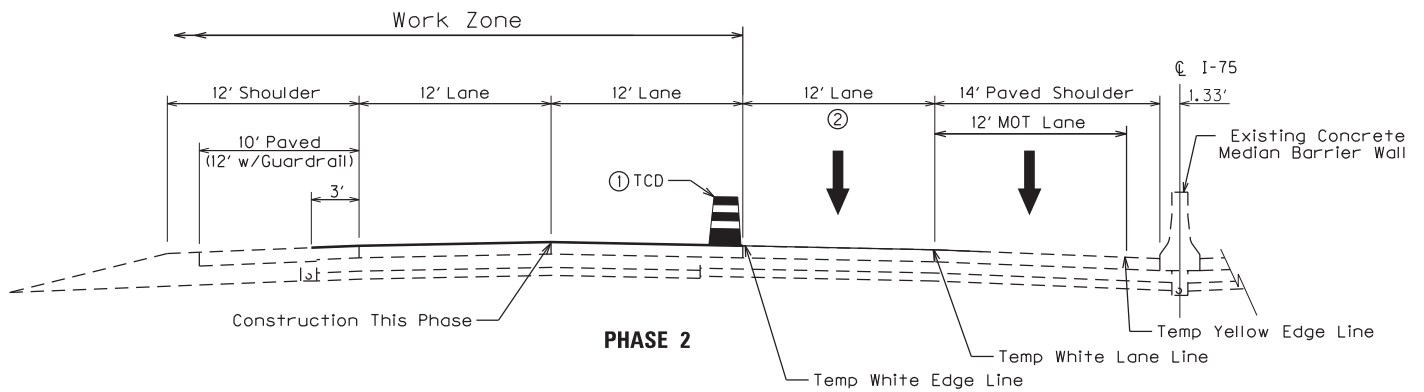
- ① TCDs Shall Be Shifted To Allow Adequate Space To Perform Paving Operations.
- ② This Lane May Be Closed From 8 PM to 6 AM Each Night.

# MAINTENANCE OF TRAFFIC TYPICAL SECTIONS NORTHBOUND I-75 BIFURCATED SECTION



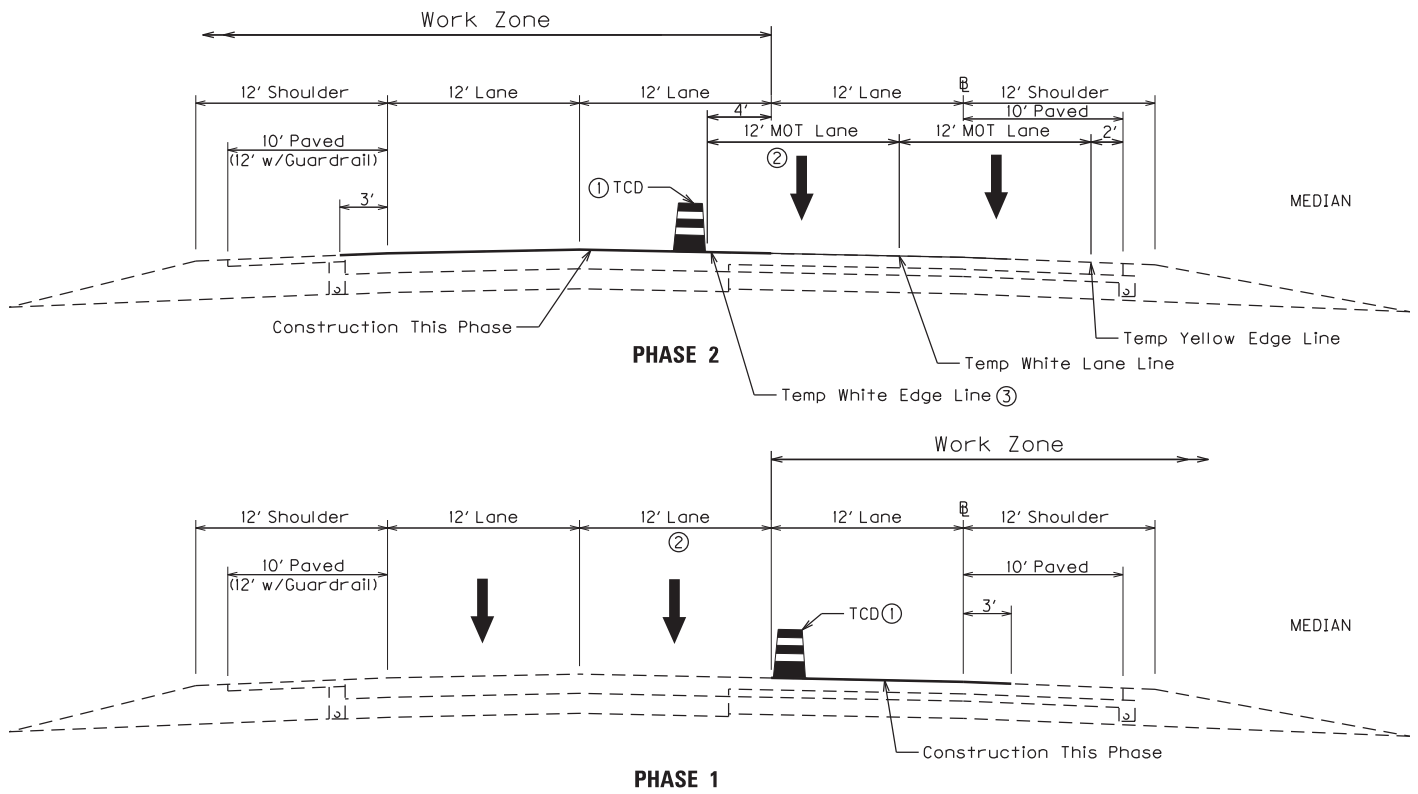
- ① TCDs Shall Be Shifted To Allow Adequate Space To Perform Paving Operations.
- ② This Lane May Be Closed From 8 PM to 6 AM Each Night.
- ③ Replace Any Striping Removed Prior To Reopening Lane To Traffic.

# MAINTENANCE OF TRAFFIC TYPICAL SECTIONS SOUTHBOUND I-75 COMMON MEDIAN



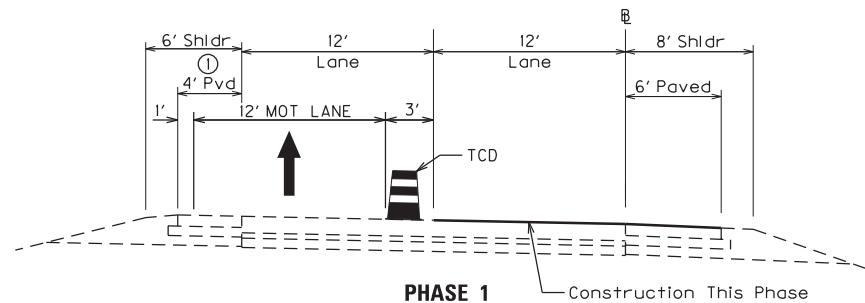
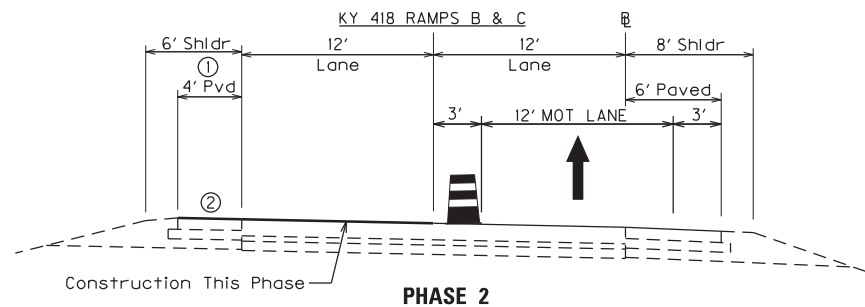
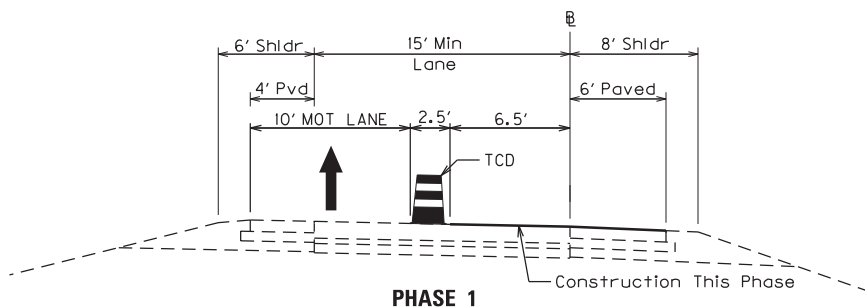
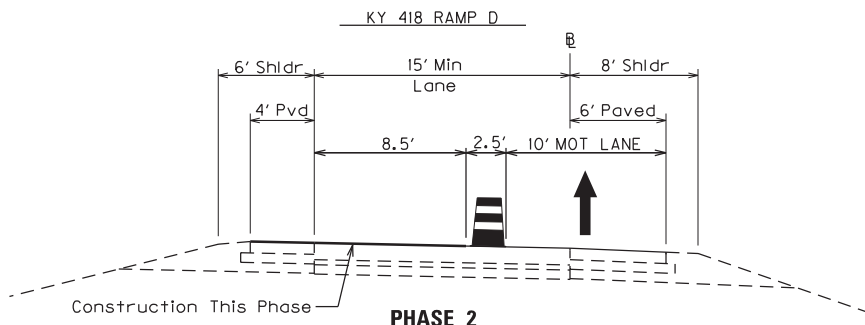
- ① TCDs Shall Be Shifted To Allow Adequate Space To Perform Paving Operations.
- ② This Lane May Be Closed From 8 PM to 6 AM Each Night.

# MAINTENANCE OF TRAFFIC TYPICAL SECTIONS SOUTHBOUND I-75 BIFURCATED SECTION



- ① TCDs Shall Be Shifted To Allow Adequate Space To Perform Paving Operations.
- ② This Lane May Be Closed From 8 PM to 6 AM Each Night.
- ③ Replace Any Striping Removed Prior To Reopening Lane To Traffic.

# MAINTENANCE OF TRAFFIC TYPICAL SECTIONS KY 418 INTERCHANGE RAMPS



- ① 8' Shoulder (6' Paved) For Ramp C
- ② Only Mill And Overlay Shoulders 4' Or Less In Width.

**NOTE:**

KY 418 Ramp A And All Ramps At The US 25 Interchange To Be Closed During Construction On The Ramp. See The Traffic Control Notes For Further Information.

## **Special Note for Before You Dig**

### **I-75 Rehabilitation Project Fayette County Item No. 7-22116.00**

Call 1-800-752-6007 toll free a minimum of two and no more than ten business days prior to excavation for information on the location of existing under-ground utilities which subscribe to the before-u-dig (BUD) service. Coordinate excavation with all utility owners, including those who do not subscribe to BUD.

## **Special Note for Asphalt Milling And Texturing**

### **I-75 Rehabilitation Project Fayette County Item No. 7-22116.00**

Do not allow public traffic to drive on the milled surface.

The Contractor will take possession and dispose of all millings at a location off the right of way.

Removal of the existing pavement markers prior to the milling operation is considered incidental to the bid item "Asphalt Pavement Milling and Texturing".



## **Special Note for Typical Section Dimensions**

### **I-75 Rehabilitation Project Fayette County Item No. 7-22116.00**

The dimensions shown on the typical sections for pavement and shoulder widths are nominal or typical dimensions. The actual dimensions to be constructed may be varied to fit existing conditions as directed or approved by the Engineer. It is not intended that existing pavement or shoulders be widened unless specified elsewhere in the Proposal.

## **SPECIAL PROVISION FOR WASTE AND BORROW SITES**

Obtain U.S. Army Corps of Engineer's approval before utilizing a waste or borrow site that involves "Waters of the United States". The Corps of Engineers defines "Waters of the United States" as perennial or intermittent streams, ponds or wetlands. The Corps of Engineers also considers ephemeral streams, typically dry except during rainfall but having a defined drainage channel, to be jurisdictional waters. Direct questions concerning any potential impacts to "Waters of the United States" to the attention of the appropriate District Office for the Corps of Engineers for a determination prior to disturbance. Be responsible for any fees associated with obtaining approval for waste and borrow sites from the U.S. Army Corps of Engineer or other appropriate regulatory agencies.

1-296 Waste & Borrow Sites  
01/02/2012

Rev 7/2021

## Special Note for Traffic Queue Protection Vehicle

- 1.0 DESCRIPTION.** Furnish, Operate, and Maintain Traffic Queue Protection Vehicle at locations and times described herein. The Queue Protection Vehicle is expected to alert motorists (inside and outside of project limits) of all stopped traffic caused by construction activities or incidents within the project limits.
- 2.0 MATERIALS.** The contractor shall provide a minimum of one (1) queue protection vehicle for each traveling direction where traffic flow is reduced or modified in a manner where a queue could occur. One (1) additional queue protection vehicle shall be onsite in reserve. The Traffic Queue Protection Vehicle must fulfill the following minimum requirements:
1. A truck mounted attenuators that meets or exceeds NCHRP TL-3 requirements.
  2. Four (4) round yellow strobe lights (with auto-dimmers) positioned rear facing
    - Two (2) mounted under rear bumper
    - Two (2) mounted at cab level
    - Visibility of strobe lights can not be deterred by attenuator
  3. One (1) standard cab mounted light bar.
  4. A truck mounted message board with a minimum of 3 Lines and 8 Characters per line.
  5. Four Hour National Traffic Incident Management (TIM) Responder Training for Queue Truck Operators.
- 3.0. CONSTRUCTION.** A queue will be defined as anytime that traffic traveling through the project is reduced to a speed of twenty (20) miles per hour or less. The following procedures will be followed when a traffic queue occurs until free flow traffic conditions are present:
- The queue protection vehicle shall be positioned no further than ½ mile upstream from the back of the slow moving traffic.
  - The queue protection vehicle shall be positioned on the shoulder and clear of the traveled way so as not to impede traffic.
  - The queue protection vehicle shall relocate as needed to maintain approximately ½ mile distance from the back of the slow moving traffic.
  - The 2<sup>nd</sup> queue protection vehicle shall be held in reserve, on site, and support the primary vehicle if conditions prevent repositioning by reverse. This vehicle shall not be paid for idle time.
  - Queue Protection Vehicles shall be kept in project limits during planned lane closures and other project activities expected to cause a queue. One Queue Protection Vehicle shall remain on the project at all times available to respond to incidents within the project limits in a timely manner.
  - Queue length estimates and traffic conditions shall be reported to the KYTC project engineer or designee at the following periods:
    1. At 30 minute intervals
    2. At significant changes
    3. When free flow traffic is achieved
  - The KYTC project engineer or designee will document all daily queue reports and provide these logs to the Director of Maintenance and Director of Construction at the end of each month.

The Queue Protection Vehicle shall be mobilized by the Project Engineer or designee for planned construction activities. For unplanned incidents mobilization should be initiated by the first person (KYTC's or Contractor's project staff) receiving notification of the queue.

**4. MEASUREMENT.**

**4.01 Queue Protection Vehicle.** The Department will measure the time from when the vehicle is in position protecting the queue until either free flow traffic is achieved or the vehicle is no longer protecting the queue, whichever occurs first. Idle time will not be paid. The Department will not measure mobilization, removal, maintenance, labor, fuel, or any additional items but will consider them all incidental to this item of work.

**4.02 Furnish Queue Protection Vehicles.** The Department will measure the quantity by each month the Engineer requires to have the Contractor furnish vehicles as defined in '2.0 Materials' of this Special Note. The Department will not measure mobilization, removal, labor, fuel, or any additional items but will consider them all incidental to this item of work. Partial Months will be calculated as shown in the table below.

Partial Month Payment Schedule	
Days	Increment
0-7 days	0.25
8-14 days	0.50
15-21 days	0.75
22-31 days	1.00

**5. PAYMENT.**

<u>Code</u>	<u>Pay Item</u>	<u>Pay Unit</u>
25075EC	Queue Protection Vehicle	Hour
25117EC	Furnish Queue Protection Vehicles	Month

Rev 8/2021

## **Special Note for Portable Queue Warning Alert System**

### **1.0 Description**

This item shall consist of furnishing, installing, relocating, operating, servicing, and removing various components of a portable, quickly deployable, real-time automated ITS queue warning alert system (PQWAS), in accordance with the standard specifications and this special provision. The Contractor shall also provide the maintenance of the complete system for the duration of the project or as directed by the Project Engineer. The Department is willing to look at different technologies (i.e. allow the use of crowd sourcing data to be used in lieu of the portable radar sensors). Any changes to the below requirements must be submitted and approved by the Engineer.

### **2.0 Materials**

Materials shall be in accordance as follows:

All materials used shall meet the manufacturer's specifications and recommendations.

All PQWAS materials installed on the project shall be provided by the Contractor in excellent quality condition, shall be corrosion resistant and in strict accordance with all of the details shown within Contractor's Plans approved by KYTC. The Contractor shall maintain an adequate inventory of parts and replacement units to support maintenance and repair of the PQWAS. Pre-deployment is a condition of the system's acceptance and is based on the successful performance demonstration for a (5) day continuous period in accordance to this specification and as set forth in the plans. Ensure compliance to all FCC and Department specifications.

The Contractor shall maintain this system and shall be locally available to service and maintain system components, move portable devices as necessary and respond to emergency situations. The Contractor has oversight responsibility for directing placement of devices in the project area. The Contractor is to be accessible seven (7) days a week and twenty-four (24) hours a day while the system is deployed. The Contractor shall provide contact information for the system's coordinator and others responsible for maintenance of the system prior to installation of the system. Furnish a System Coordinator for monitoring the PQWAS throughout all periods of deployment.

#### **A. General Capabilities and Performance Requirements**

1. Overall PQWAS capabilities and performance requirements include the following:
  - a. Furnish a system capable of providing advance traffic information to motorists when there is a queueing of traffic due to congestion resulting from lane reductions, emergency events or other conditions. The condition-responsive notification to the motorist occurs with the use of Portable Changeable Message Signs (PCMS) in accordance to the below capabilities and performance requirements, activated through real-time traffic data collected downstream of the PCMS locations. This equipment must

be a packaged system, pre-programmed and operates as a stand-alone PQWAS meeting this specification. Conditions might exist that require relocation of the portable sensors at any given time, the sensors shall be portable and shall not require re-calibration in the field for fast deployments. Due to the potential need to replace damaged sensors or to change the position of one or more sensors at any given time, sensors must be interchangeable and relocatable by an unskilled laborer. The system must continue to function if as many as half the sensors fail to function.

- b. Provide a PQWAS that consists of the following field equipment: portable radar sensors and portable changeable message signs (PCMS). Provide a system capable of withstanding inclement weather conditions while continuing to provide adequate battery power. The portable radar sensor battery, in a stand-alone state and without a solar panel for recharging, shall be capable of keeping power and capable of sending data for (10) consecutive days or longer. The system shall notify drivers of real-time queue events via specifically placed PCMS units up stream of the work zone. All predetermined/preprogrammed messages are to be approved by KYTC. The number and location of portable radar sensors and PCMS units shall be as directed by the Project Engineer. The decision to deploy or relocate field equipment is made by the Project Engineer and instrumented through the System Coordinator. The decision for equipment removal is made by the Project Engineer after work is complete. The sensors and PCMS units shall be identifiable via global positioning system (GPS) and shall contain an accelerometer to detect and alert of unauthorized movement.
- c. The portable radar sensor shall be capable of collecting traffic speed data. The processed data is used to remotely control PCMS units to display user definable, Engineer approved and locally stored messages. The message trigger state thresholds for slow and stopped speeds shall be user configurable and revisable in less than {1} hour from the Project Engineer's request. Weekly Traffic Data Reports shall be presented to the Project Engineer and shall include speed data per sensor location, travel times, and queue lengths in graphical and numerical formats. In the event the Project Engineer requires a report, other than a weekly report, for any reason; then the Contractor shall provide report within (48) hours of request. Unlimited data reports shall be included within price of system. Sensors shall require no calibration adjustments in the field. Sensor should begin transmitting data within (30) seconds of being turned on. Satellite (SAT) communications will be required when cellular service does not provide continuous communications. Contractor shall identify the most trustworthy cellular provider within the project area.
- d. Data shall be accessible through a website and the Contractor shall provide a username and password for protection. The website shall be accessible seven (7) days a week and twenty - four (24) hours a day. The website shall provide historical & real-time data in graphical and numerical formats and shall have the capability of being integrated within the Department's Traffic Management Center (if requested). The website should be compatible to most hand held devices. Data shall be saved on the manufacturer's network for up to (5) years from the deployment date of system and shall be provided at the request

of the Department at any time within the (5) year window. The use of the website shall be included within the price of system.

- e. Warning Alerts: queue events, low battery voltage warnings, sensor movement alerts, high and low speed alerts shall be provided via cellular text messaging and/or via email messaging at the request of select Contractor personnel and KYTC officials.
- f. The PQWAS system shall have the capabilities to provide alternate route messaging on specifically placed portable changeable message units and/or fixed Variable Message Systems (VMS). The intent of this service is to provide alternate route messaging to motorists before entering the project limits from all directions and giving them appropriate time to adjust their routes. Alternative routes shall be predefined and approved by KYTC. Additional PCMS units may be required for alternate route messaging and will be as per Section 5.0 of this note. KYTC's Traffic Management Center will provide detour messages via fixed VMS units during the term of the project.

### **B. Portable Radar Sensor Capabilities and Performance Requirements**

The PQWAS shall include portable radar sensors (PRD) to monitor and detect queue events.

1. The Radar Sensor shall be FHWA accepted to meet NCHRP 350 test requirements
2. The Radar Sensor shall be locatable at all times via an internal Global Positioning System (GPS) and shall be capable of Cellular or SAT Communications.
3. The Radar Sensor shall have a dry-cell battery capable of powering the system for (10) consecutive days or longer
4. The Radar sensor shall be K-Band technology and have a line of sight up to 200 linear feet without obstruction
5. The Radar sensor shall have the ability to be charged in the field through adaptable solar recharging technology in the case the sensor is utilized for more than 10 consecutive days

### **C. PCMS Capabilities and Performance Requirements**

The PQWAS shall include portable changeable message signs (PCMS) designated to relay automated messaging of queue events, alternate route messages, and caution for the work area defined by the project limits. PCMS placements shall meet the requirements set forth by the Cabinet in each direction of the National Highway System (NHS).

1. The PCMS unit shall be a Full Matrix 24 rows x 50 columns and shall be capable of 1 line, 2line or 3 line messages
2. The PCMS unit shall be legible from a distance over twelve hundred feet (1200')
3. The height and size of characters shall be 18" to 58"
4. The PCMS shall be capable of storing up to 199 pre-programmed messages and up to 199 user-defined messages
5. The PCMS shall have a weather tight control cabinet with back lit LCD handheld controller.
6. The PCMS shall utilize a hydraulic lift to raise the unit to display height
7. The PCMS unit shall include solar recharging ports to allow for recharging of the portable radar sensors when they are not deployed.
8. The PCMS shall be NTCIP compliant and shall have an active Modem with active cellular service.

9. The user shall have the ability to communicate and override the PCMS remotely in the event of an emergency, Amber Alert, etc.
10. The PCMS unit shall have a docking station to include safety rails that allow a commercial safety strap to tie down the portable radar sensors while in transport. The docking station shall hold-up to (4) sensors safely and securely at all times

### **3.0 Construction Requirements**

All communication costs include cellular telephone services, FCC licensing, wireless data networks, satellite and internet subscription charges, and battery charging and maintenance. Additional to these requirements, the Contractor shall assume all responsibility for any and all damaged equipment due to crashes, vandalism, and adverse weather that may occur during the contract period.

The PQWAS shall operate continuously (24 hours/ 7 Days) when deployed on the project. The system is in a constant "data collection" mode when deployed. The Contractor shall provide technical support for the PQWAS for all periods of operation.

In the event communication is lost with any component of the PQWAS, provide a means and staff to manually program a PCMS message. If communication is lost for more the 10 consecutive minutes, the system shall revert to a fail-safe ROADWORK/# MILES/AHEAD message displayed on the PCMS units until communication is restored.

System Operator, local control function and remote management operation must be password protected.

The PQWAS shall be capable of acquiring traffic information and selecting messages automatically without operator intervention after system utilization. The lag time between changes in threshold ranges and the posting of the appropriate PCMS message(s) shall be no greater than (60) seconds. The system operation and accuracy must not be appreciably degraded by inclement weather or degraded visibility conditions including precipitation, fog, darkness, excessive dust, and road debris.

The system shall be capable of storing ad-hoc messages created by the System Coordinator and logging this action when overriding any default or automatic advisory message.

The PQWAS communication system shall incorporate an error detection/correction mechanism to insure the integrity of all traffic conditions data and motorists information messages. Any required configuration of the PQWAS communication system shall be performed automatically during system initialization.

The system's acceptance is based on the successful performance demonstration of PQWAS for a (5) day continuous period in accordance to this specification and as set forth in the plans. Ensure compliance to all FCC and Department specifications.



**4.0 Equipment Maintenance.**

Maintain system components in good working condition at all times. Repair or replace damaged or malfunctioning components, at no cost to the Department, as soon as possible and within (12) hours of notification by the Engineer. Periodically clean PCMS units if necessary.

**5.0 Measurement.** The Department will measure each item below in Months. For partial months the Department will pay in 0.25 increments based on the number of calendar days in the below table.

Partial Month Payment Schedule

Days	Increment
0-7 days	0.25
8-14 days	0.50
15-21 days	0.75
22-31 days	1.00

**5.1 Portable Queue Warning Alert System** includes cellular (SAT communications will be required if cellular is not available), all supporting field equipment, website, and unlimited data reports accessible by the Engineer. It will be measured by the number of months authorized by the Engineer for use on the project.

**5.2 Queue Warning PCMS** will be measured by each individual unit multiplied by the number of months authorized by the Engineer for use on the project.

**5.3 Queue Warning Portable Radar Sensors** will be measured by each individual unit multiplied by the number of months authorized by the Engineer for use on the project. Queue Warning Portable Radar Sensors will not be measured for payment if the Contractor utilizes a system operating on crowd sourcing data. Crowd sourcing data systems will only be allowed as approved by the engineer and will be considered incidental to Portable Queue Warning Alert System.

**6.0 Payment.**

<u>Code</u>	<u>Pay Item</u>	<u>Pay Unit</u>
26136EC	Portable Queue Warning Alert System	Month
26137EC	Queue Warning PCMS	Month
26138EC	Queue Warning Portable Radar Sensors	Month

Rev 9/2021

## SPECIAL NOTE FOR PAVER MOUNTED TEMPERATURE PROFILES

This Special Note will apply when indicated on the plans or in the proposal. Section references herein are to the Department's Standard Specifications for Road and Bridge Construction current edition.

**1.0 DESCRIPTION.** Provide a paver mounted infrared temperature equipment to continually monitor the temperature of the asphalt mat immediately behind all paver(s) during the placement operations for all mainline pavements (including ramps for Interstates and Parkways) within the project limits. Provide thermal profiles that include material temperature and measurement locations.

**2.0 MATERIALS AND EQUIPMENT.** In addition to the equipment specified in Subsection 403.02 Utilize a thermal equipment supplier that can provide a qualified representative for on-site technical assistance during the initial setup, pre-construction verification, and data management and processing as needed during the Project to maintain equipment within specifications and requirements.

Provide operator settings, user manuals, required viewing/export software for analysis. Ensure the temperature equipment will meet the following:

(A) A device with one or more infrared sensors that is capable of measuring in at least 1 foot intervals across the paving width, with a minimum width of 12 feet, or extending to the recording limits of the equipment, whichever is greater. A **Maximum of two (2)** brackets are allowed in the influence area under the sensors. A temperature profile must be made on at least 1 foot intervals longitudinally down the road:

(B) Infrared sensor(s):

(1) Measuring from 32°F to 400°F with an accuracy of  $\pm 2.0\%$  of the sensor reading.

(C) Ability to measure the following:

(1) The placement distance using a Global Positioning System (GPS) or a Distance Measuring Instrument (DMI) and a Global Positioning System (GPS).

(2) Stationing

(D) GPS: Accuracy  $\pm 4$  feet in the X and Y Direction

(E) Latest version of software to collect, display, retain and analyze the mat temperature readings during placement. The software must have the ability to create and analyze:

(1) Full collected width of the thermal profiles,

(2) Paver speed and

(3) Paver stops and duration for the entire Project.

(F) Ability to export data automatically to a remote data server ("the cloud").

At the preconstruction meeting, provide the Cabinet with rights to allow for web access to the data file location. Access to the data is not to be hindered in any way. The Contractor will provide the Cabinet with any vendor specific software, user id, passwords, etc. needed to access the data through this service, cost of this access is incidental to the thermal profile bid item. The Cabinet is to have access to all data as it is being collected. If a third party is used for collecting and distributing the data the Cabinet is to have the same access rights and time as the Contractor.

This web-based software must also provide the Department with the ability to download the raw files and software and to convert them into the correct format.

(G) The thermal profile data files must provide the following data in a neat easy to read table format.

(1) Project information including Road Name and Number, PCN, Beginning and Ending MPs.

(2) IR Bar Manufacturer and Model number

(3) Number of Temperature Sensors (N)

(4) Spacing between sensors and height of sensors above the asphalt mat

(5) Total number of individual records taken each day (DATA BLOCK)

- (a) Date and Time reading taken
- (b) Latitude and Longitude
- (c) Distance paver has moved from last test location
- (d) Direction and speed of the paver
- (e) Surface temperature of each of the sensors

**3.0 CONSTRUCTION.** Provide the Engineer with all required documentation at the pre-construction conference.

(A) Install and operate equipment in accordance with the manufacturer’s specifications.

(B) Verify that the temperature sensors are within ± 2.0% using an independent temperature device on a material of known temperature. Collect and compare the GPS coordinates from the equipment with an independent measuring device.

(1) Ensure the independent survey grade GPS measurement device is calibrated to the correct coordinate system (using a control point), prior to using these coordinates to validate the equipment GPS.

(2) The comparison is considered acceptable if the coordinates are within 4 feet of each other in the X and Y direction.

(C) Collect thermal profiles on all Driving Lanes during the paving operation and transfer the data to the “cloud” network or if automatic data transmission is not available, transfer the data to the Engineer at the end of daily paving.

(D) Contact the Department immediately when System Failure occurs. Daily Percent Coverage will be considered zero when the repairs are not completed within two (2) working days of System Failure. The start of this two (2) working day period begins the next working day after System Failure.

(E) Evaluate thermal profile segments, every 150 feet, and summarize the segregation of temperature results. Results are to be labeled as Minimal 0°-25°F, Moderate 25.1°-50°F and Severe >50°. Severe readings over 3 consecutive segments or over 4 or more segments in a day warrant investigation on the cause of the differential temperature distribution.

**4.0 MEASUREMENT.** The Department will measure the total area of the pavement lanes mapped by the infrared scanners. Full payment will be provided for all lanes with greater than 85% coverage. Partial payment will be made for all areas covered from 50% coverage to 85% coverage at the following rate Coverage area percentage X Total bid amount. And area with less than 50% coverage will not be measured for payment.

**5.0 PAYMENT.** The Department will make payment for the completed and accepted quantities under the following:

1. Payment is full compensation for all work associated with providing all required equipment, training, and documentation.
2. Delays due to GPS satellite reception of signals or equipment breakdowns will not be considered justification for contract modifications or contract extensions.

<u>Code</u>	<u>Pay Item</u>	<u>Pay Unit</u>
24891EC	PAVE MOUNT INFRARED TEMP EQUIPMENT	SQFT

## SPECIAL NOTE FOR EXPERIMENTAL KYCT AND HAMBURG TESTING

### 1.0 General

**1.1 Description.** The KYCT (Kentucky Method for Cracking Test) and the Hamburg test results will help determine if the mixture is susceptible to cracking and rutting. During the experimental phase, data will be gathered and analyzed by the Department to determine the durability of the bituminous mixes. Additionally, the data will help the Department to create future performance-based specifications which will include the KYCT and Hamburg test methods.

### 2.0 Equipment

**2.1 KYCT Testing Equipment.** The Department will require a Marshall Test Press with digital recordation capabilities. Other CT testing equipment may be used for testing with prior approval by the Department.

**2.2 Water Baths.** One or more water baths will be required that can maintain a temperature of 77° +/- 1.8° F with a digital thermometer showing the water bath temperature. Also, one water bath shall have the ability to suspend gyratory specimen fully submerged in water in accordance with AASHTO T-166, current edition.

**2.3 Hamburg Wheel Track Testing.** The department encourages the use of the PTI APA/Hamburg Jr. test equipment to perform the loaded wheel testing. The Department will allow different equipment for the Hamburg testing, but the testing device must be approved by the Department prior to testing.

**2.4 Gyratory Molds.** Gyratory molds will be required to assist in the production of gyratory specimens in accordance with AASHTO T-312, current edition.

**2.5 Ovens.** Adequate (minimum of two ovens) will be required to accommodate the additional molds and asphalt mixture necessary to perform the acceptance testing as outlined in Section 402 of the Kentucky Standard Specifications for Road and Bridge Construction, current edition.

**2.6 Department Equipment.** The Department will provide gyratory molds, PINE 850 Test Press with digital recordation, and CT testing equipment to assist during this experimental phase so data can be gathered. Hamburg test specimens will be submitted to the Division of Materials for testing on the PTI APA/Hamburg Jr if the asphalt contractor or district materials office does not have an approved Hamburg testing device.

### 3.0 Testing Requirements

**3.1 Acceptance Testing.** Perform all acceptance testing and aggregate gradation as according with Section 402 and Section 403 of the Kentucky Standard Specifications for Road and Bridge Construction, current edition.

**3.2 KYCT Testing.** Perform crack resistance analysis (KYCT) in accordance with the current Kentucky Method for KYCT Index Testing during the mix design phase and during the plant production of all surface mixtures. For mix design approvals, submit KYCT results on the Department MixPack. For Class 4 mixtures, submit ingredient materials to the Division of Materials for verification.

**3.2.1 KYCT Frequency.** Obtain an adequate sample of hot mix asphalt to ensure the acceptance testing, gradation, and KYCT gyratory samples can be fabricated and is representative of the bituminous mixture. Acceptance specimens shall be fabricated first, then immediately after, fabricate the KYCT samples with the gyratory compactor in accordance with Section 2.4 of this Special Note. Analysis of the KYCT specimens and gradation will be required one per subplot produced from the same asphalt material and at the same time as the acceptance specimen is sampled and tested.

**3.2.2 Number of Specimens and Conditioning.** Fabricate specimens in accordance with the Kentucky Method for KYCT Index Testing. Contrary to the method, for field specimens, fabricate a minimum of 3 and up to 6 test specimens. The specimens shall be compacted at the temperature in accordance with KM 64-411. KYCT mix design specimens shall be short-term conditioned uncovered for four hours at compaction temperature in accordance with KM 64-411. Contrary to the Kentucky Method, plant produced bituminous material shall be short-term conditioned immediately after sampling for two hours uncovered in the oven at compaction temperature in accordance with KM 64-411. Additionally, fabricated specimens shall be allowed to cool in air (fan is permissible) for 30 minutes +/- 5 minutes and conditioned in a 77 °F water bath for 30 minutes +/- 5 minutes. To ensure confidence and reliability of the test results provided by KYCT testing and Hamburg testing, reheating of the asphalt mixture is prohibited.

**3.2.3 Record Times.** For each subplot, record the time required between drying aggregates in the plant to KYCT specimen fabrication. The production time may vary due to the time that the bituminous material is held in the silo. Record the preconditioning time when the time exceeds the one-hour specimen cool down time as required in accordance with The Kentucky Method for KYCT Index Testing. The preconditioning time may exceed an hour if the technician is unable to complete the test on the same day or within the specified times as outlined in The Kentucky Method for KYCT Index Testing. The production time and the preconditioning time shall be recorded on the AMAW.

**3.2.4 File Name.** As according to section 7.12 of The Kentucky Method for KYCT Index Testing, save the filename with the following format: "CID\_Approved Mix Number\_Lot Number\_Sublot Number\_Date"

**3.3 Hamburg Testing.** Perform the rut resistance analysis (Hamburg) in accordance with AASTHO T-324, not to exceed 20,000 passes for all bituminous mixtures during the mix design phase and production. For mix design approvals, submit Hamburg results on the Department MixPack. For Class 4 mixtures, submit ingredient materials to the Division of Materials for informational verification.

**3.3.1 Hamburg Testing Frequency.** Perform testing and analysis per lot of material. The plant produced bituminous material sampled for the Hamburg test does not have to be obtained at the same time as the acceptance and KYCT sample. If the Hamburg test sample is not obtained at the same time as the KYCT sample, determine the Maximum Specific Gravity of the KYCT sample in accordance with AASHTO T-209 coinciding with the Hamburg specimens.

**3.3.2 Record Times.** Record the production time as according to section 3.2.3 in this special note. Also record the time that the specimens were fabricated and the time the Hamburg testing was started. All times shall be recorded on the AMAW.

**3.3.3 File Name.** Save the Excel spreadsheet with the following file name; “Hamburg\_CID\_Approved Mix Number\_Lot Number\_Sublot Number\_Date” and upload the file into the AMAW.

#### **4.0 Data**

Submit the AMAW and all test data that was obtained for acceptance, gradation, KYCT, and Hamburg testing within five working days once all testing has been completed for a lot to Central Materials Lab and the District Materials Engineer. Also, any data and or comments that the asphalt contractor or district personnel deem informational during this experimental phase, shall also be submitted to the Central Materials Lab and the District Materials Engineer. Any questions or comments regarding any item in this Special Note can be directed to the Central Office, Division of Materials, Asphalt Branch.

#### **5.0 Payment**

Any additional labor and testing equipment that is required to fabricate and test the KYCT and Hamburg specimens shall be considered incidental to the asphalt surface line item. The Department will perform the testing for the KYCT and Hamburg specimens if a producer does not possess the proper equipment.

June 15<sup>th</sup>, 2022

**Special Note for Fixed Completion Date and Liquidated Damages**  
**I-75 Rehabilitation Project**  
**Fayette County**  
**Item No. 7-22116.00**

This project has an Intermediate Fixed Completion Date and a Final Fixed Completion Date.

Contrary to Section 108.09, Liquidated Damages of \$5,000 per calendar day will be assessed for each day, or fraction thereof, work remains uncompleted beyond the specified Intermediate Fixed Completion Date for all proposed Pavement Lane Repairs and Pavement Joint Repairs specified in the proposal. The **Intermediate Fixed Completion Date** for Pavement Lane Repairs and Pavement Joint Repairs is **November 15, 2022**.

Contrary to Section 108.09, Liquidated Damages of \$5,000 per calendar day will be assessed for each day, or fraction thereof, all remaining work specified in the Proposal remains uncompleted beyond the specified **Final Fixed Completion Date** in the Proposal of **October 1, 2023**.

In addition to the Liquidated Damages specified above, Liquidated Damages in the following amounts will be charged when a lane or ramp closure remains in place during the prohibited period specified in the Traffic Control Plan, excluding delays caused by inclement weather:

Mainline:       \$2,500 for the first hour or fraction thereof  
                  \$25,000 any additional hour or fraction thereof

Ramps:         \$2,500 for the first hour or fraction thereof  
                  \$10,000 any additional hour or fraction thereof

**Note: No additional time will be permitted due to quantity overruns.**

These hourly disincentives will still be in effect after the Fixed Completion Date and will be charged in addition to the \$5,000 per calendar day if warranted. The contractor is expected to make every effort to complete the work in order to open the ramp or mainline lane closure within the time specified in the Traffic Control Plan.

If work is delayed by inclement weather, the minimum work required to allow removal of the lane closure, as directed by the Engineer, shall be resumed immediately as soon as weather permits, or the Department will begin to assess Liquidated Damages as specified herein.

Contrary to Section 108.09 of the Standard Specifications, **the disincentive fee will be charged during those periods when seasonal limitations of the Contract prohibit the Contractor from working on a controlling item or operation. This includes the months from December through March.**

All liquidated damages will be applied cumulatively.

All other applicable portions of Section 108 apply.



KENTUCKY TRANSPORTATION CABINET  
Department of Highways  
DIVISION OF RIGHT OF WAY & UTILITIES

TC 62-226  
Rev. 01/2016  
Page 1 of 1

**RIGHT OF WAY CERTIFICATION**

<input checked="" type="checkbox"/>	<b>Original</b>	<input type="checkbox"/>	<b>Re-Certification</b>	<b>RIGHT OF WAY CERTIFICATION</b>			
<b>ITEM #</b>		<b>COUNTY</b>		<b>PROJECT # (STATE)</b>		<b>PROJECT # (FEDERAL)</b>	
7-22116.00		Fayette		FD52 034 0075 097-108		NHPPIM 0754 (066)	
<b>PROJECT DESCRIPTION</b>							
Asphalt thin mill and fill with some pavement repairs from Mile Points 97.865 to 101.445							
<input checked="" type="checkbox"/> <b>No Additional Right of Way Required</b>							
Construction will be within the limits of the existing right of way. The right of way was acquired in accordance to FHWA regulations under the Uniform Relocation Assistance and Real Property Acquisitions Policy Act of 1970, as amended. No additional right of way or relocation assistance were required for this project.							
<input type="checkbox"/> <b>Condition # 1 (Additional Right of Way Required and Cleared)</b>							
All necessary right of way, including control of access rights when applicable, have been acquired including legal and physical possession. Trial or appeal of cases may be pending in court but legal possession has been obtained. There may be some improvements remaining on the right-of-way, but all occupants have vacated the lands and improvements, and KYTC has physical possession and the rights to remove, salvage, or demolish all improvements and enter on all land. Just Compensation has been paid or deposited with the court. All relocations have been relocated to decent, safe, and sanitary housing or that KYTC has made available to displaced persons adequate replacement housing in accordance with the provisions of the current FHWA directive.							
<input type="checkbox"/> <b>Condition # 2 (Additional Right of Way Required with Exception)</b>							
The right of way has not been fully acquired, the right to occupy and to use all rights-of-way required for the proper execution of the project has been acquired. Some parcels may be pending in court and on other parcels full legal possession has not been obtained, but right of entry has been obtained, the occupants of all lands and improvements have vacated, and KYTC has physical possession and right to remove, salvage, or demolish all improvements. Just Compensation has been paid or deposited with the court for most parcels. Just Compensation for all pending parcels will be paid or deposited with the court prior to AWARD of construction contract							
<input type="checkbox"/> <b>Condition # 3 (Additional Right of Way Required with Exception)</b>							
The acquisition or right of occupancy and use of a few remaining parcels are not complete and/or some parcels still have occupants. All remaining occupants have had replacement housing made available to them in accordance with 49 CFR 24.204. KYTC is hereby requesting authorization to advertise this project for bids and to proceed with bid letting even though the necessary right of way will not be fully acquired, and/or some occupants will not be relocated, and/or the just compensation will not be paid or deposited with the court for some parcels until after bid letting. KYTC will fully meet all the requirements outlined in 23 CFR 635.309(c)(3) and 49 CFR 24.102(j) and will expedite completion of all acquisitions, relocations, and full payments after bid letting and prior to AWARD of the construction contract or force account construction.							
Total Number of Parcels on Project		0		<b>EXCEPTION (S) Parcel #</b>		<b>ANTICIPATED DATE OF POSSESSION WITH EXPLANATION</b>	
<b>Number of Parcels That Have Been Acquired</b>							
Signed Deed		0					
Condemnation		0					
Signed ROE		0					
<b>Notes/ Comments (Use Additional Sheet if necessary)</b> This project combines with 7-22117.00							
<b>LPA RW Project Manager</b>				<b>Right of Way Supervisor</b>			
Printed Name				Printed Name		Cecil Smith	
Signature				Signature		 <small>Digitally signed by Cecil D. Smith Date: 2022.06.15 09:18:29 -04'00'</small>	
Date				Date		6/15/2022	
<b>Right of Way Director</b>				<b>FHWA</b>			
Printed Name		2022.06.16		Printed Name		<b>No Signature Required as per FHWA-KYTC Current Stewardship Agreement</b>	
Signature		08:19:09		Signature			
Date		-04'00'		Date			



## UTILITIES AND RAIL CERTIFICATION NOTE

<p style="text-align: center;"><b>Fayette County</b> <b>7-22116.00 NHPP IM 0754 (066)</b> <b>FD52 034 US-0075 097-108</b> <b>Mile point: 97.865 TO 107.445</b> <b>Desc. Asphalt Thin mill and fill with some pavement repairs</b></p>
---

### PROJECT NOTES ON UTILITIES

Please Note: The information presented in this Utility Note is informational in nature and the information contained herein is not guaranteed.

The contractor will be responsible for contacting all utility facility owners on the subject project to coordinate his activities. The contractor will coordinate his activities to minimize and, where possible, avoid conflicts with utility facilities. Due to the nature of the work proposed, it is unlikely to conflict with the existing utilities beyond minor facility adjustments. Where conflicts with utility facilities are unavoidable, the contractor will coordinate any necessary relocation work with the facility owner and Resident Engineer. The Kentucky Transportation Cabinet maintains the right to remove or alter portions of this contract if a utility conflict occurs. The utility facilities as noted in the previous section(s) have been determined using data garnered by varied means and with varying degrees of accuracy: from the facility owners, a result of S.U.E., field inspections, and/or reviews of record drawings. The facilities defined may not be inclusive of all utilities in the project scope and are not Level A quality, unless specified as such. It is the contractor's responsibility to verify all utilities and their respective locations before excavating.

The contractor shall make every effort to protect underground facilities from damage as prescribed in the Underground Facility Damage Protection Act of 1994, Kentucky Revised Statute KRS 367.4901 to 367.4917. It is the contractor's responsibility to determine and take steps necessary to be in compliance with federal and state damage prevention directives. The contractor is instructed to contact KY 811 for the location of existing underground utilities. Contact shall be made a minimum of two (2) and no more than ten (10) business days prior to excavation. The contractor shall submit Excavation Locate Requests to the Kentucky Contact Center (KY 811) via web ticket entry. The submission of this request does not relieve the contractor from the responsibility of contacting non-member facility owners, whom are to be contacted through their individual Protection Notification Center. It may be necessary for the contractor to contact the County Court Clerk to determine what utility companies have facilities in the area. Non-compliance with these directives can result in the enforcement of penalties.

## UTILITIES AND RAIL CERTIFICATION NOTE

Fayette County  
7-22116.00 NHPP IM 0754 (066)  
FD52 034 US-0075 097-108  
Mile point: 97.865 TO 107.445  
Desc. Asphalt Thin mill and fill with some pavement repairs

**NOTE: DO NOT DISTURB THE FOLLOWING FACILITIES LOCATED WITHIN THE PROJECT DISTURB LIMITS**

- Kentucky Utilities
- Kentucky American Water Company
- Windstream Kentucky East
- Spectrum
- Columbia Gas of Kentucky
- Lexington Fayette Urban County Government
- AT&T KY
- AT&T Legacy

**THE FOLLOWING FACILITY OWNERS ARE RELOCATING/ADJUSTING THEIR FACILITIES WITHIN THE PROJECT LIMITS AND WILL BE COMPLETE PRIOR TO CONSTRUCTION**

Not Applicable

**THE FOLLOWING FACILITY OWNERS HAVE FACILITIES TO BE RELOCATED/ADJUSTED BY THE OWNER OR THEIR SUBCONTRACTOR AND IS TO BE COORDINATED WITH THE ROAD CONTRACT**

Not Applicable

**THE FOLLOWING FACILITY OWNERS HAVE FACILITIES TO BE RELOCATED/ADJUSTED BY THE ROAD CONTRACTOR AS INCLUDED IN THIS CONTRACT**

Not Applicable

**RAIL COMPANIES HAVE FACILITIES IN CONJUNCTION WITH THIS PROJECT AS NOTED**

- No Rail Involvement    Rail Involved    Rail Adjacent

## UTILITIES AND RAIL CERTIFICATION NOTE

**Fayette County**  
**7-22116.00 NHPP IM 0754 (066)**  
**FD52 034 US-0075 097-108**  
**Mile point: 97.865 TO 107.445**  
**Desc. Asphalt Thin mill and fill with some pavement repairs**

### AREA FACILITY OWNER CONTACT LIST

<b>Facility Owner</b>	<b>Address</b>	<b>Contact Name</b>	<b>Phone</b>	<b>Email</b>
Kentucky Utilities		Caroline Justice	502 627 3708	
KAWC		Krista Citron	859 268 6352	
Windstream		Steve Johnson	859 867 6209	
Spectrum		Kelly Oram	859 519 3434	
Columbia Gas		Bryan Slone	859 288 0253	
LFUCG		Bob Bayert	859 258 3410	
AT&T KY		Frank Ambrose	502 867 8240	
AT&T Legacy		Mike Diederich	216 750 0135	

# GUARDRAIL DELIVERY VERIFICATION SHEET

Contract Id: \_\_\_\_\_

Contractor: \_\_\_\_\_

Section Engineer: \_\_\_\_\_

District & County: \_\_\_\_\_

<u>DESCRIPTION</u>	<u>UNIT</u>	<u>QTY LEAVING PROJECT</u>	<u>QTY RECEIVED@BB YARD</u>
GUARDRAIL (Includes End treatments & crash cushions)	LF	_____	_____
STEEL POSTS	EACH	_____	_____
STEEL BLOCKS	EACH	_____	_____
WOOD OFFSET BLOCKS	EACH	_____	_____
BACK UP PLATES	EACH	_____	_____
CRASH CUSHION	EACH	_____	_____
NUTS, BOLTS, WASHERS	BAG/BCKT	_____	_____
DAMAGED RAIL TO MAINT. FACILITY	LF	_____	_____
DAMAGED POSTS TO MAINT. FACILITY	EACH	_____	_____

**\*Required Signatures before Leaving Project Site**

Printed Section Engineer's Representative \_\_\_\_\_ & Date \_\_\_\_\_

Signature Section Engineer's Representative \_\_\_\_\_ & Date \_\_\_\_\_

Printed Contractor's Representative \_\_\_\_\_ & Date \_\_\_\_\_

Signature Contractor's Representative \_\_\_\_\_ & Date \_\_\_\_\_

**\*Required Signatures after Arrival at Bailey Bridge Yard (All material on truck must be counted & the quantity received column completed before signatures)**

Printed Bailey Bridge Yard Representative \_\_\_\_\_ & Date \_\_\_\_\_

Signature Bailey Bridge Yard Representative \_\_\_\_\_ & Date \_\_\_\_\_

Printed Contractor's Representative \_\_\_\_\_ & Date \_\_\_\_\_

Signature Contractor's Representative \_\_\_\_\_ & Date \_\_\_\_\_

\*\*Payment for the bid item remove guardrail will be based upon the quantities shown in the Bailey Bridge Yard received column. Payment will not be made for guardrail removal until the guardrail verification sheets are electronically submitted to the Section Engineer by the Bailey Bridge Yard Representative.

Completed Form Submitted to Section Engineer Date: \_\_\_\_\_ By: \_\_\_\_\_

**PART II**  
**SPECIFICATIONS AND STANDARD DRAWINGS**

### **SPECIFICATIONS REFERENCE**

Any reference in the plans or proposal to previous editions of the *Standard Specifications for Road and Bridge Construction* and *Standard Drawings* are superseded by *Standard Specifications for Road and Bridge Construction, Edition of 2019* and *Standard Drawings, Edition of 2020*.

## **SUPPLEMENTAL SPECIFICATIONS**

The contractor shall use the Supplemental Specifications that are effective at the time of letting.  
The Supplemental Specifications can be found at the following link:

<http://transportation.ky.gov/Construction/Pages/Kentucky-Standard-Specifications.aspx>

### **SPECIAL NOTE FOR PORTABLE CHANGEABLE MESSAGE SIGNS**

This Special Note will apply when indicated on the plans or in the proposal.

**1.0 DESCRIPTION.** Furnish, install, operate, and maintain variable message signs at the locations shown on the plans or designated by the Engineer. Remove and retain possession of variable message signs when they are no longer needed on the project.

#### **2.0 MATERIALS.**

**2.1 General.** Use LED Variable Message Signs Class I, II, or III, as appropriate, from the Department's List of Approved Materials.

Unclassified signs may be submitted for approval by the Engineer. The Engineer may require a daytime and nighttime demonstration. The Engineer will make a final decision within 30 days after all required information is received.

#### **2.2 Sign and Controls.** All signs must:

- 1) Provide 3-line messages with each line being 8 characters long and at least 18 inches tall. Each character comprises 35 pixels.
- 2) Provide at least 40 preprogrammed messages available for use at any time. Provide for quick and easy change of the displayed message; editing of the message; and additions of new messages.
- 3) Provide a controller consisting of:
  - a) Keyboard or keypad.
  - b) Readout that mimics the actual sign display. (When LCD or LCD type readout is used, include backlighting and heating or otherwise arrange for viewing in cold temperatures.)
  - c) Non-volatile memory or suitable memory with battery backup for storing pre-programmed messages.
  - d) Logic circuitry to control the sequence of messages and flash rate.
- 4) Provide a serial interface that is capable of supporting complete remote control ability through land line and cellular telephone operation. Include communication software capable of immediately updating the message, providing complete sign status, and allowing message library queries and updates.
- 5) Allow a single person easily to raise the sign to a satisfactory height above the pavement during use, and lower the sign during travel.
- 6) Be Highway Orange on all exterior surfaces of the trailer, supports, and controller cabinet.
- 7) Provide operation in ambient temperatures from -30 to + 120 degrees Fahrenheit during snow, rain and other inclement weather.
- 8) Provide the driver board as part of a module. All modules are interchangeable, and have plug and socket arrangements for disconnection and reconnection. Printed circuit boards associated with driver boards have a conformable coating to protect against moisture.
- 9) Provide a sign case sealed against rain, snow, dust, insects, etc. The lens is UV stabilized clear plastic (polycarbonate, acrylic, or other approved material) angled to prevent glare.
- 10) Provide a flat black UV protected coating on the sign hardware, character PCB, and appropriate lens areas.
- 11) Provide a photocell control to provide automatic dimming.



- 12) Allow an on-off flashing sequence at an adjustable rate.
- 13) Provide a sight to aim the message.
- 14) Provide a LED display color of approximately 590 nm amber.
- 15) Provide a controller that is password protected.
- 16) Provide a security device that prevents unauthorized individuals from accessing the controller.
- 17) Provide the following 3-line messages preprogrammed and available for use when the sign unit begins operation:

/KEEP/RIGHT/=>=>=>/	/MIN/SPEED/**MPH/
/KEEP/LEFT/<=<=</	/ICY/BRIDGE/AHEAD/ /ONE
/LOOSE/GRAVEL/AHEAD/	LANE/BRIDGE/AHEAD/
/RD WORK/NEXT/**MILES/	/ROUGH/ROAD/AHEAD/
/TWO WAY/TRAFFIC/AHEAD/	/MERGING/TRAFFIC/AHEAD/
/PAINT/CREW/AHEAD/	/NEXT/***/MILES/
/REDUCE/SPEED/**MPH/	/HEAVY/TRAFFIC/AHEAD/
/BRIDGE/WORK/***0 FT/	/SPEED/LIMIT/**MPH/
/MAX/SPEED/**MPH/	/BUMP/AHEAD/
/SURVEY/PARTY/AHEAD/	/TWO/WAY/TRAFFIC/

\*Insert numerals as directed by the Engineer.  
Add other messages during the project when required by the Engineer.

**2.3 Power.**

- 1) Design solar panels to yield 10 percent or greater additional charge than sign consumption. Provide direct wiring for operation of the sign or arrow board from an external power source to provide energy backup for 21 days without sunlight and an on-board system charger with the ability to recharge completely discharged batteries in 24 hours.

**3.0 CONSTRUCTION.** Furnish and operate the variable message signs as designated on the plans or by the Engineer. Ensure the bottom of the message panel is a minimum of 7 feet above the roadway in urban areas and 5 feet above in rural areas when operating. Use Class I, II, or III signs on roads with a speed limit less than 55 mph. Use Class I or II signs on roads with speed limits 55 mph or greater.

Maintain the sign in proper working order, including repair of any damage done by others, until completion of the project. When the sign becomes inoperative, immediately repair or replace the sign. Repetitive problems with the same unit will be cause for rejection and replacement.

Use only project related messages and messages directed by the Engineer, unnecessary messages lessen the impact of the sign. Ensure the message is displayed in either one or 2 phases with each phase having no more than 3 lines of text. When no message is needed, but it is necessary to know if the sign is operable, flash only a pixel.

When the sign is not needed, move it outside the clear zone or where the Engineer directs. Variable Message Signs are the property of the Contractor and shall be removed from the project when no longer needed. The Department will not assume ownership of these signs.

**4.0 MEASUREMENT.** The final quantity of Variable Message Sign will be

11

the actual number of individual signs acceptably furnished and operated during the project. The Department will not measure signs replaced due to damage or rejection.

**5.0 PAYMENT.** The Department will pay for the Variable Message Signs at the unit price each. The Department will not pay for signs replaced due to damage or rejection. Payment is full compensation for furnishing all materials, labor, equipment, and service necessary to, operate, move, repair, and maintain or replace the variable message signs. The Department will make payment for the completed and accepted quantities under the following:

<u>Code</u>	<u>Pay Item</u>	<u>Pay Unit</u>
02671	Portable Changeable Message Sign	Each

Effective June 15, 2012

**SPECIAL NOTE FOR LONGITUDINAL PAVEMENT JOINT ADHESIVE**

1. DESCRIPTION. This specification covers the requirements and practices for applying an asphalt adhesive material to the longitudinal joint of the surface course of an asphalt pavement. Apply the adhesive to the face of longitudinal joint between driving lanes for the first lane paved. Then, place and compact the adjacent lane against the treated face to produce a strong, durable, waterproof longitudinal joint.
2. MATERIALS, EQUIPMENT, AND PERSONNEL.

2.1 Joint Adhesive. Provide material conforming to Subsection 2.1.1.

2.1.1 Provide an adhesive conforming to the following requirements:

Property	Specification	Test Procedure
Viscosity, 400 ° F (Pa·s)	4.0 – 10.0	ASTM D 4402
Cone Penetration, 77 ° F	60 – 100	ASTM D 5329
Flow, 140 ° F (mm)	5.0 max.	ASTM D 5329
Resilience, 77 ° F (%)	30 min.	ASTM D 5329
Ductility, 77 ° F (cm)	30.0 min.	ASTM D 113
Ductility, 39 ° F (cm)	30.0 min.	ASTM D 113
Tensile Adhesion, 77 ° F (%)	500 min.	ASTM D 5329, Type II
Softening Point, ° F	171 min.	AASHTO T 53
Asphalt Compatibility	Pass	ASTM D 5329

Ensure the temperature of the pavement joint adhesive is between 380 and 410 °F when the material is extruded in a 0.125-inch-thick band over the entire face of the longitudinal joint.

2.2. Equipment.

2.2.1 Melter Kettle. Provide an oil-jacketed, double-boiler, melter kettle equipped with any needed agitation and recirculating systems.

2.2.2 Applicator System. Provide a pressure-feed-wand applicator system with an applicator shoe attached.

2.3 Personnel. Ensure a technical representative from the manufacturer of the pavement joint adhesive is present during the initial construction activities and available upon the request of the Engineer.

3. CONSTRUCTION.

3.1 Surface Preparation. Prior to the application of the pavement joint adhesive, ensure the face of the longitudinal joint is thoroughly dry and free from dust or any other debris that would inhibit adhesion. Clean the joint face by the use of compressed air.

Ensure this preparation process occurs shortly before application to prevent the return of debris on the joint face.

3.2 Pavement Joint Adhesive Application. Ensure the ambient temperature is a minimum of 40 ° F during the application of the pavement joint adhesive. Prior to applying the adhesive, demonstrate competence in applying the adhesive according to this note to the satisfaction of the Engineer. Heat the adhesive in the melter kettle to the specified temperature range. Pump the adhesive from the melter kettle through the wand onto the vertical face of the cold joint. Apply the adhesive in a continuous band over the entire face of the longitudinal joint. Do not use excessive material in either thickness or location. Ensure the edge of the extruded adhesive material is flush with the surface of the pavement. Then, place and compact the adjacent lane against the joint face. Remove any excessive material extruded from the joint after compaction (a small line of material may remain).

3.3 Pavement Joint Adhesive Certification. Furnish the joint adhesive's certification to the Engineer stating the material conforms to all requirements herein prior to use.

3.4 Sampling and Testing. The Department will require a random sample of pavement joint adhesive from each manufacturer's lot of material. Extrude two 5 lb. samples of the heated material and forward the sample to the Division of Materials for testing. Reynolds oven bags, turkey size, placed inside small cardboard boxes or cement cylinder molds have been found suitable. Ensure the product temperature is 400°F or below at the time of sampling.

4. MEASUREMENT. The Department will measure the quantity of Pavement Joint Adhesive in linear feet. The Department will not measure for payment any extra materials, labor, methods, equipment, or construction techniques used to satisfy the requirements of this note. The Department will not measure for payment any trial applications of Pavement Joint Adhesive, the cleaning of the joint face, or furnishing and placing the adhesive. The Department will consider all such items incidental to the Pavement Joint Adhesive.
5. PAYMENT. The Department will pay for the Pavement Joint Adhesive at the Contract unit bid price and apply an adjustment for each manufacturer's lot of material based on the degree of compliance as defined in the following schedule. When a sample fails on two or more tests, the Department may add the deductions, but the total deduction will not exceed 100 percent.

11N

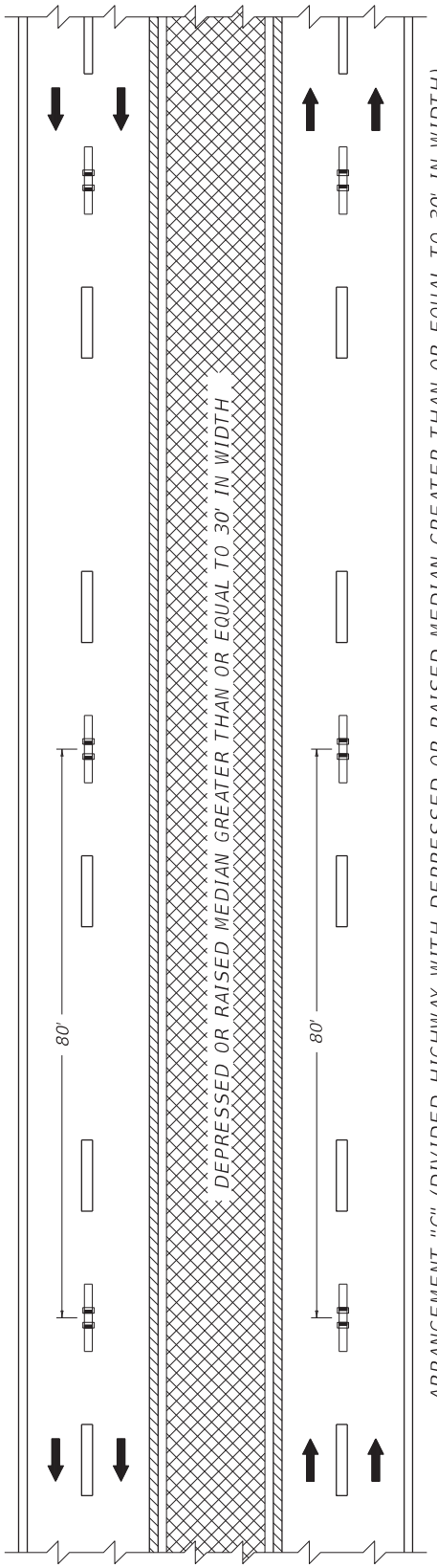
Pavement Joint Adhesive Price Adjustment Schedule						
Test	Specification	100% Pay	90% Pay	80% Pay	50% Pay	0% Pay
Joint Adhesive Referenced in Subsection 2.1.1						
Viscosity, 400 ° F (Pa•s) ASTM D 3236	4.0-10.0	3.5-10.5	3.0-3.4 10.6-11.0	2.5-2.9 11.1-11.5	2.0-2.4 11.6-12.0	≤1.9 ≥ 12.1
Cone Penetration, 77 ° F ASTM D 5329	60-100	57-103	54-56 104-106	51-53 107-109	48-50 110-112	≤ 47 ≥ 113
Flow, 140 ° F (mm) ASTM D 5329	≤ 5.0	≤ 5.5	5.6-6.0	6.1-6.5	6.6-7.0	≥ 7.1
Resilience, 77 ° F (%) ASTM D 5329	≥ 30	≥ 28	26-27	24-25	22-23	≤ 21
Tensile Adhesion, 77 ° F (%) ASTM D 5329	≥ 500	≥ 490	480-489	470-479	460-469	≤ 459
Softening Point, ° F AASHTO T 53	≥ 171	≥ 169	166-168	163-165	160-162	≤ 159
Ductility, 77 ° F (cm) ASTM D 113	≥ 30.0	≥ 29.0	28.0-28.9	27.0-27.9	26.0-26.9	≤ 25.9
Ductility, 39 ° F (cm) ASTM D 113	≥ 30.0	≥ 29.0	28.0-28.9	27.0-27.9	26.0-26.9	≤ 25.9

Code  
 20071EC

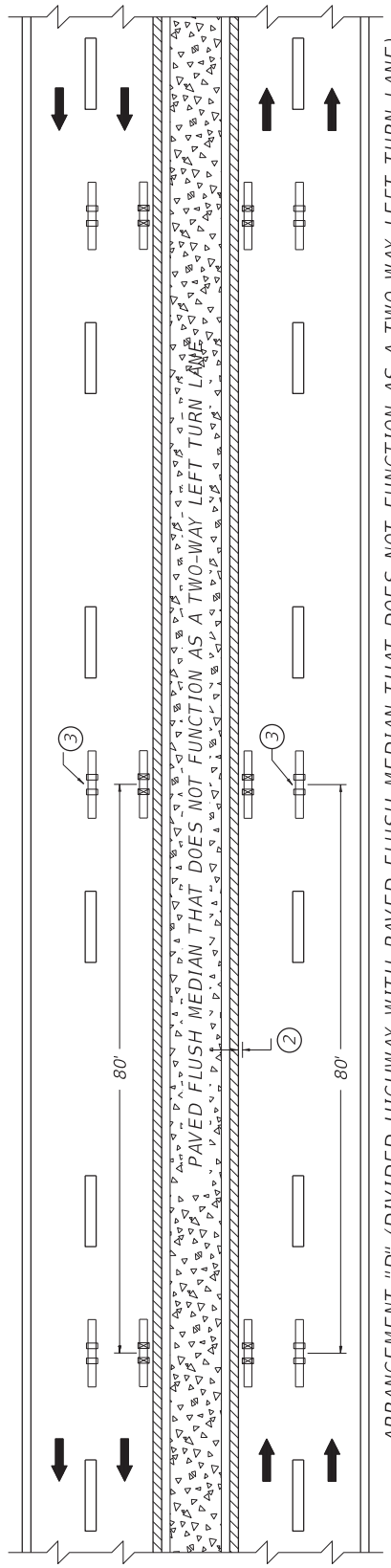
Pay Item  
 Joint Adhesive

Pay Unit  
 Linear Foot

May 7, 2014



ARRANGEMENT "C" (DIVIDED HIGHWAY WITH DEPRESSED OR RAISED MEDIAN GREATER THAN OR EQUAL TO 30' IN WIDTH)



ARRANGEMENT "D" (DIVIDED HIGHWAY WITH PAVED FLUSH MEDIAN THAT DOES NOT FUNCTION AS A TWO-WAY LEFT TURN LANE)

- ~ NOTES ~
1. MARKERS INSTALLED ALONG LANE LINES SHOULD BE PLACED BETWEEN AND IN LINE WITH THE SKIPS.
  2. MARKERS INSTALLED ALONG EDGE LINES SHOULD BE PLACED SO THAT THE NEAR EDGE OF THE GROOVE IS NO MORE THAN 1" FROM THE NEAR EDGE OF THE LINE.
  3. IF WIDTH OF PAVED FLUSH MEDIAN IS GREATER THAN OR EQUAL TO 30', BI-DIRECTIONAL (WHITE-RED) MARKERS SHALL BE USED ALONG THE LANE LINES IN LIEU OF MONO-DIRECTIONAL (WHITE) MARKERS.
  4. MARKERS SHALL NOT BE INSTALLED ON TOP OF THE PAVEMENT JOINT. OFFSET MARKERS A MINIMUM OF 2" FROM THE PAVEMENT JOINT. ENSURE THAT THE FINISHED LINE OF MARKERS IS STRAIGHT WITH MINIMAL LATERAL DEVIATION. MARKERS MAY BE ELIMINATED OR PLACEMENT ADJUSTED AT THE DISCRETION OF THE ENGINEER.
  5. MARKERS SHALL BE INSTALLED AT 40' SPACING ALONG SOLID WHITE AUXILIARY LINES. MARKER COLOR SHALL MATCH THE MARKERS INSTALLED ALONG THE WHITE LANE LINES.
- BID ITEMS  
 06610 - INLAID PAVEMENT MARKER - MW  
 06612 - INLAID PAVEMENT MARKER - BY  
 06613 - INLAID PAVEMENT MARKER - B W/R

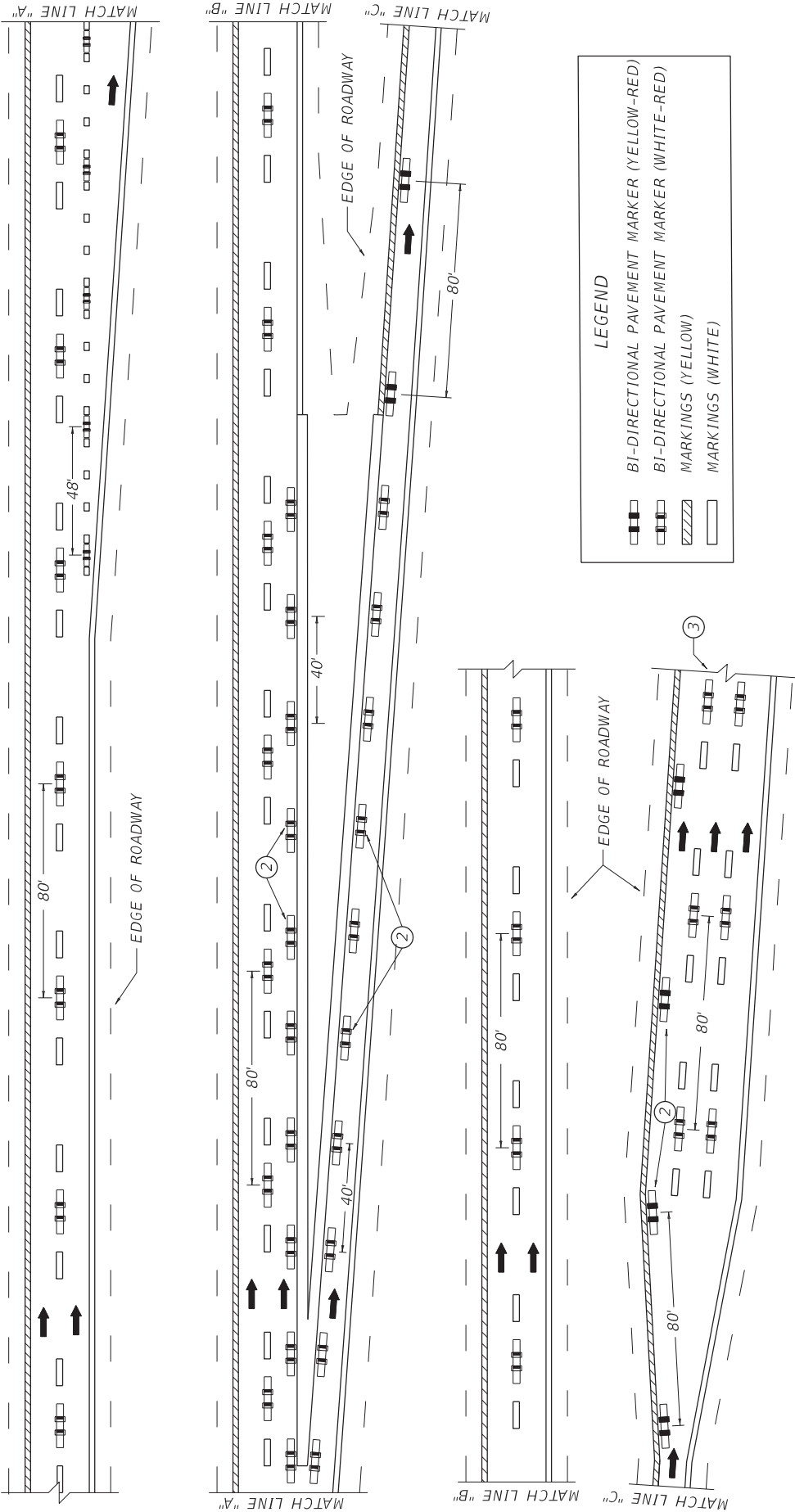
LEGEND

	BI-DIRECTIONAL PAVEMENT MARKER (YELLOW)
	BI-DIRECTIONAL PAVEMENT MARKER (WHITE-RED)
	MONO-DIRECTIONAL PAVEMENT MARKER (WHITE)
	MARKINGS (YELLOW)
	MARKINGS (WHITE)
	FLUSH MEDIAN
	DEPRESSED OR RAISED MEDIAN

DRAWING NOT TO SCALE

KENTUCKY  
DEPARTMENT OF HIGHWAYS  
INLAID PAVEMENT MARKER  
ARRANGEMENTS  
MULTI-LANE ROADWAYS

SUBMITTED \_\_\_\_\_ 06-09-21  
DIVISION DIRECTOR \_\_\_\_\_ DATE  
*Jim A.*  
007



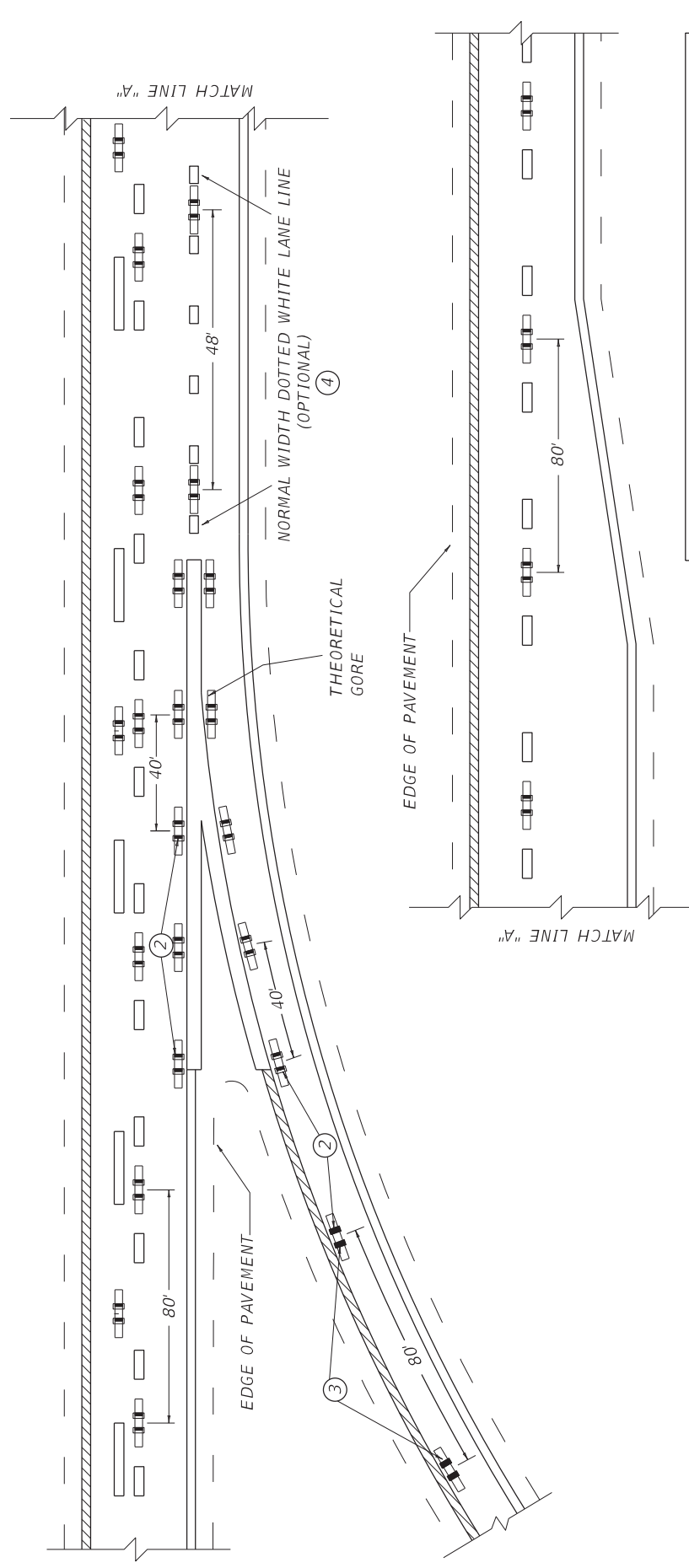
~ NOTES ~

1. MARKERS INSTALLED ALONG LANE LINES SHALL BE PLACED BETWEEN AND IN LINE WITH THE SKIPS.
2. MARKERS INSTALLED ALONG EDGE LINES SHALL BE PLACED SO THAT THE NEAR EDGE OF THE GROOVE IS NO MORE THAN 1" FROM THE NEAR EDGE OF THE LINE.
3. MARKERS SHALL BE CONTINUED ALONG THE ENTIRE LENGTH OF THE RAMP UNTIL THE INTERSECTION WITH THE CROSS-STREET.
4. MARKERS SHALL NOT BE INSTALLED ON TOP OF THE PAVEMENT JOINT. OFFSET MARKERS A MINIMUM OF 2" FROM THE PAVEMENT JOINT. ENSURE THAT THE FINISHED LINE OF MARKERS IS STRAIGHT WITH MINIMAL LATERAL DEVIATION. MARKERS MAY BE ELIMINATED OR PLACEMENT ADJUSTED AT THE DISCRETION OF THE ENGINEER.

DRAWING NOT TO SCALE  
USE WITH CUR. STD. DWG.  
TPM-201

KENTUCKY DEPARTMENT OF HIGHWAYS	
INLAID PAVEMENT MARKER ARRANGEMENT	
EXIT GORE AND OFF-RAMP	
SUBMITTED	06-09-21 DATE
DIVISION DIRECTOR	
011	

BID ITEMS  
06613 - INLAID PAVEMENT MARKER - B-W/R  
06614 - INLAID PAVEMENT MARKER - B-Y/R  
UNIT TO BID  
EACH  
EACH



**LEGEND**

	BI-DIRECTIONAL PAVEMENT MARKER (YELLOW-RED)
	BI-DIRECTIONAL PAVEMENT MARKER (WHITE-RED)
	MARKINGS (YELLOW)
	MARKINGS (WHITE)

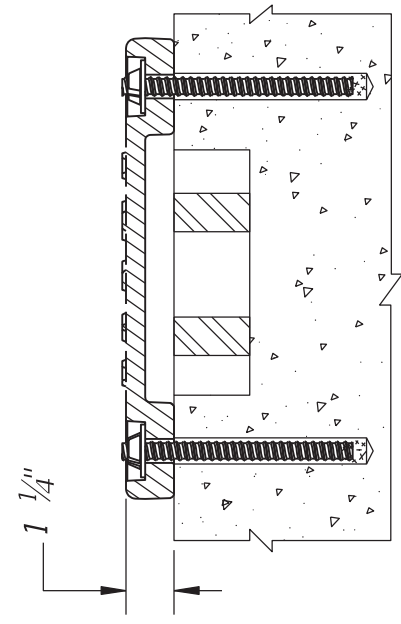
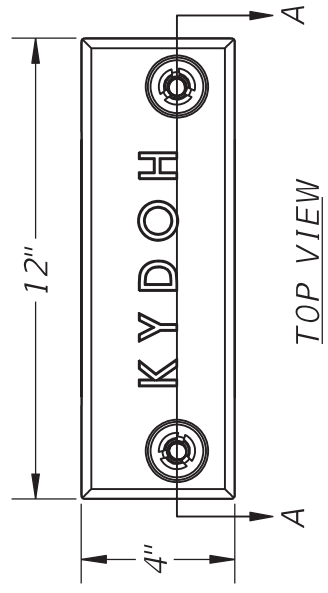
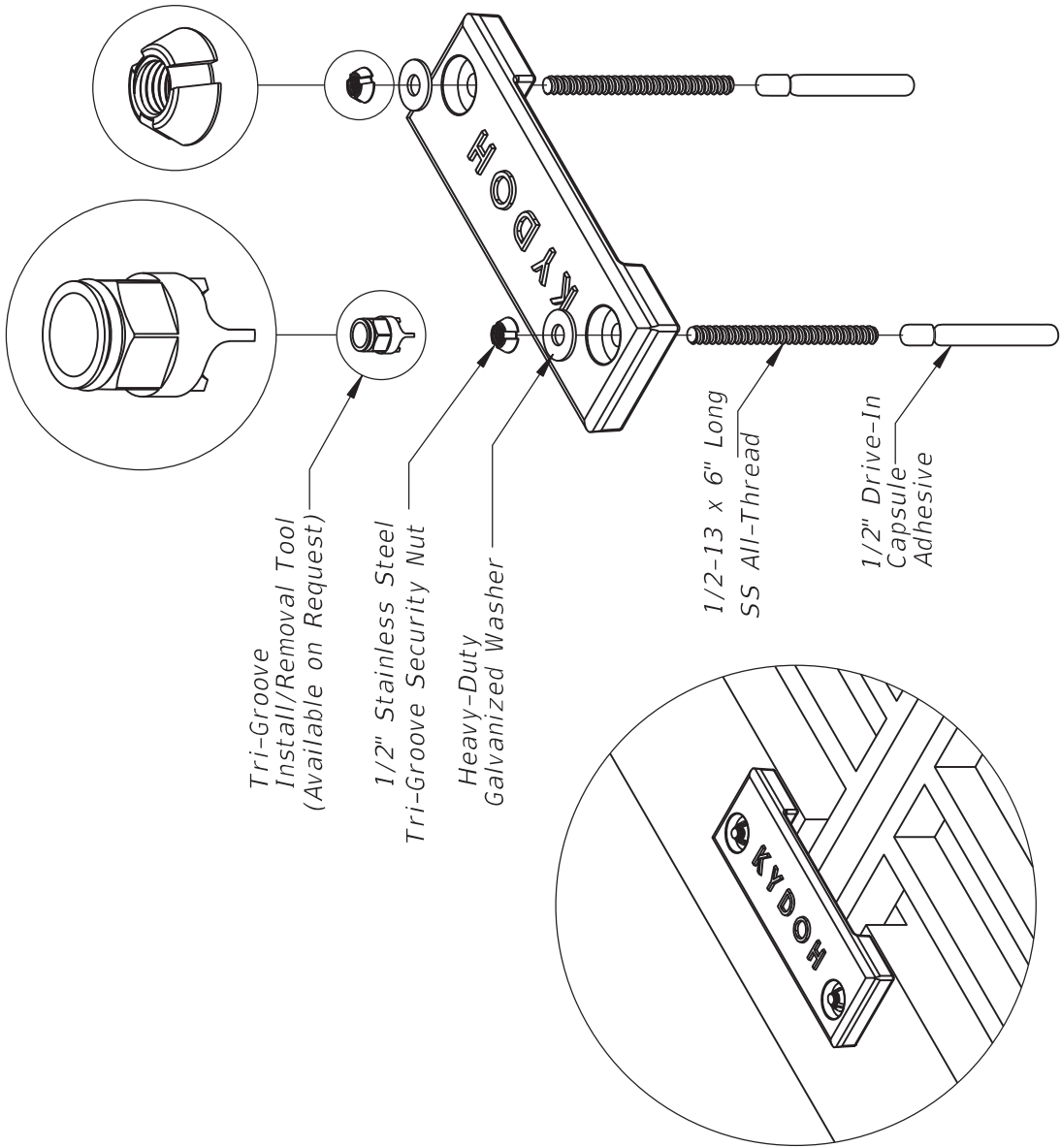
DRAWING NOT TO SCALE  
USE WITH CUR. STD. DWG.  
TPM-200

KENTUCKY
DEPARTMENT OF HIGHWAYS
INLAID PAVEMENT MARKER ARRANGEMENT ON-RAMP WITH PARALLEL ACCELERATION LANE
SUBMITTED  06-09-21 <small>DATE</small> DIVISION DIRECTOR 011

- ~ NOTES ~
1. MARKERS INSTALLED ALONG LANE LINES SHALL BE PLACED BETWEEN AND IN LINE WITH THE SKIPS.
  2. MARKERS INSTALLED ALONG EDGE LINES SHALL BE PLACED SO THAT THE NEAR EDGE OF THE GROOVE IS NO MORE THAN 1" FROM THE NEAR EDGE OF THE LINE.
  3. BI-DIRECTIONAL (YELLOW-RED) MARKERS ARE TO BE PLACED ALONG THE ENTIRE LENGTH OF THE YELLOW EDGE LINE FROM THE INTERSECTION OF THE CROSS-STREET TO THE BEGINNING OF THE GORE AREA.
  4. IF DOTTED EXTENSIONS ARE USED IN THE TAPERED ACCELERATION LANE, MARKERS SHALL BE INSTALLED AS DEPICTED. MARKERS SHALL NOT BE INSTALLED ON TOP OF THE PAVEMENT JOINT. OFFSET MARKERS A MINIMUM OF 2" FROM THE PAVEMENT JOINT. ENSURE THAT THE FINISHED LINE OF MARKERS IS STRAIGHT WITH MINIMAL LATERAL DEVIATION. MARKERS MAY BE ELIMINATED OR PLACEMENT ADJUSTED AT THE DISCRETION OF THE ENGINEER.
  6. THE NORMAL WIDTH DOTTED WHITE LANE LINE SHALL EXTEND FOR AT LEAST HALF THE LENGTH OF THE FULL-WIDTH ACCELERATION LANE PLUS TAPER MEASURED FROM THE THEORETICAL GORE.
- EACH

BID ITEMS AND UNIT TO BID  
INLAID PAVEMENT MARKER (B-W/R, B-Y/R, BY, MW, MY)





MOUNTED

BID ITEMS AND UNITS TO BID  
24585EC SECURITY PLATE ASSEMBLY

EACH

KENTUCKY DEPARTMENT OF HIGHWAYS	SECURITY PLATE ASSEMBLY
SUBMITTED <i>W. J. Saylor</i> DIVISION DIRECTOR	02-26-2021 DATE

## **PART III**

### **EMPLOYMENT, WAGE AND RECORD REQUIREMENTS**

FHWA-1273 -- Revised July 5, 2022

**REQUIRED CONTRACT PROVISIONS  
FEDERAL-AID CONSTRUCTION CONTRACTS**

- I. General
- II. Nondiscrimination
- III. Non-segregated Facilities
- IV. Davis-Bacon and Related Act Provisions
- V. Contract Work Hours and Safety Standards Act Provisions
- VI. Subletting or Assigning the Contract
- VII. Safety: Accident Prevention
- VIII. False Statements Concerning Highway Projects
- IX. Implementation of Clean Air Act and Federal Water Pollution Control Act
- X. Certification Regarding Debarment, Suspension, Ineligibility and Voluntary Exclusion
- XI. Certification Regarding Use of Contract Funds for Lobbying
- XII. Use of United States-Flag Vessels:

**ATTACHMENTS**

A. Employment and Materials Preference for Appalachian Development Highway System or Appalachian Local Access Road Contracts (included in Appalachian contracts only)

**I. GENERAL**

1. Form FHWA-1273 must be physically incorporated in each construction contract funded under title 23, United States Code, as required in 23 CFR 633.102(b) (excluding emergency contracts solely intended for debris removal). The contractor (or subcontractor) must insert this form in each subcontract and further require its inclusion in all lower tier subcontracts (excluding purchase orders, rental agreements and other agreements for supplies or services). 23 CFR 633.102(e).

The applicable requirements of Form FHWA-1273 are incorporated by reference for work done under any purchase order, rental agreement or agreement for other services. The prime contractor shall be responsible for compliance by any subcontractor, lower-tier subcontractor or service provider. 23 CFR 633.102(e).

Form FHWA-1273 must be included in all Federal-aid design-build contracts, in all subcontracts and in lower tier subcontracts (excluding subcontracts for design services, purchase orders, rental agreements and other agreements for supplies or services) in accordance with 23 CFR 633.102. The design-builder shall be responsible for compliance by any subcontractor, lower-tier subcontractor or service provider.

Contracting agencies may reference Form FHWA-1273 in solicitation-for-bids or request-for-proposals documents, however, the Form FHWA-1273 must be physically incorporated (not referenced) in all contracts, subcontracts and lower-tier subcontracts (excluding purchase orders, rental agreements and other agreements for supplies or services related to a construction contract). 23 CFR 633.102(b).

2. Subject to the applicability criteria noted in the following sections, these contract provisions shall apply to all work

performed on the contract by the contractor's own organization and with the assistance of workers under the contractor's immediate superintendence and to all work performed on the contract by piecework, station work, or by subcontract. 23 CFR 633.102(d).

3. A breach of any of the stipulations contained in these Required Contract Provisions may be sufficient grounds for withholding of progress payments, withholding of final payment, termination of the contract, suspension / debarment or any other action determined to be appropriate by the contracting agency and FHWA.

4. Selection of Labor: During the performance of this contract, the contractor shall not use convict labor for any purpose within the limits of a construction project on a Federal-aid highway unless it is labor performed by convicts who are on parole, supervised release, or probation. 23 U.S.C. 114(b). The term Federal-aid highway does not include roadways functionally classified as local roads or rural minor collectors. 23 U.S.C. 101(a).

**II. NONDISCRIMINATION (23 CFR 230.107(a); 23 CFR Part 230, Subpart A, Appendix A; EO 11246)**

The provisions of this section related to 23 CFR Part 230, Subpart A, Appendix A are applicable to all Federal-aid construction contracts and to all related construction subcontracts of \$10,000 or more. The provisions of 23 CFR Part 230 are not applicable to material supply, engineering, or architectural service contracts.

In addition, the contractor and all subcontractors must comply with the following policies: Executive Order 11246, 41 CFR Part 60, 29 CFR Parts 1625-1627, 23 U.S.C. 140, Section 504 of the Rehabilitation Act of 1973, as amended (29 U.S.C. 794), Title VI of the Civil Rights Act of 1964, as amended (42 U.S.C. 2000d et seq.), and related regulations including 49 CFR Parts 21, 26, and 27; and 23 CFR Parts 200, 230, and 633.

The contractor and all subcontractors must comply with: the requirements of the Equal Opportunity Clause in 41 CFR 60-1.4(b) and, for all construction contracts exceeding \$10,000, the Standard Federal Equal Employment Opportunity Construction Contract Specifications in 41 CFR 60-4.3.

Note: The U.S. Department of Labor has exclusive authority to determine compliance with Executive Order 11246 and the policies of the Secretary of Labor including 41 CFR Part 60, and 29 CFR Parts 1625-1627. The contracting agency and the FHWA have the authority and the responsibility to ensure compliance with 23 U.S.C. 140, Section 504 of the Rehabilitation Act of 1973, as amended (29 U.S.C. 794), and Title VI of the Civil Rights Act of 1964, as amended (42 U.S.C. 2000d et seq.), and related regulations including 49 CFR Parts 21, 26, and 27; and 23 CFR Parts 200, 230, and 633.

The following provision is adopted from 23 CFR Part 230, Subpart A, Appendix A, with appropriate revisions to conform to the U.S. Department of Labor (US DOL) and FHWA requirements.

**1. Equal Employment Opportunity:** Equal Employment Opportunity (EEO) requirements not to discriminate and to take affirmative action to assure equal opportunity as set forth under laws, executive orders, rules, regulations (see 28 CFR Part 35, 29 CFR Part 1630, 29 CFR Parts 1625-1627, 41 CFR Part 60 and 49 CFR Part 27) and orders of the Secretary of Labor as modified by the provisions prescribed herein, and imposed pursuant to 23 U.S.C. 140, shall constitute the EEO and specific affirmative action standards for the contractor's project activities under this contract. The provisions of the Americans with Disabilities Act of 1990 (42 U.S.C. 12101 et seq.) set forth under 28 CFR Part 35 and 29 CFR Part 1630 are incorporated by reference in this contract. In the execution of this contract, the contractor agrees to comply with the following minimum specific requirement activities of EEO:

a. The contractor will work with the contracting agency and the Federal Government to ensure that it has made every good faith effort to provide equal opportunity with respect to all of its terms and conditions of employment and in their review of activities under the contract. 23 CFR 230.409 (g)(4) & (5).

b. The contractor will accept as its operating policy the following statement:

"It is the policy of this Company to assure that applicants are employed, and that employees are treated during employment, without regard to their race, religion, sex, sexual orientation, gender identity, color, national origin, age or disability. Such action shall include: employment, upgrading, demotion, or transfer; recruitment or recruitment advertising; layoff or termination; rates of pay or other forms of compensation; and selection for training, including apprenticeship, pre-apprenticeship, and/or on-the-job training."

**2. EEO Officer:** The contractor will designate and make known to the contracting officers an EEO Officer who will have the responsibility for and must be capable of effectively administering and promoting an active EEO program and who must be assigned adequate authority and responsibility to do so.

**3. Dissemination of Policy:** All members of the contractor's staff who are authorized to hire, supervise, promote, and discharge employees, or who recommend such action or are substantially involved in such action, will be made fully cognizant of and will implement the contractor's EEO policy and contractual responsibilities to provide EEO in each grade and classification of employment. To ensure that the above agreement will be met, the following actions will be taken as a minimum:

a. Periodic meetings of supervisory and personnel office employees will be conducted before the start of work and then not less often than once every six months, at which time the contractor's EEO policy and its implementation will be reviewed and explained. The meetings will be conducted by the EEO Officer or other knowledgeable company official.

b. All new supervisory or personnel office employees will be given a thorough indoctrination by the EEO Officer, covering all major aspects of the contractor's EEO obligations within thirty days following their reporting for duty with the contractor.

c. All personnel who are engaged in direct recruitment for the project will be instructed by the EEO Officer in the contractor's procedures for locating and hiring minorities and women.

d. Notices and posters setting forth the contractor's EEO policy will be placed in areas readily accessible to employees, applicants for employment and potential employees.

e. The contractor's EEO policy and the procedures to implement such policy will be brought to the attention of employees by means of meetings, employee handbooks, or other appropriate means.

**4. Recruitment:** When advertising for employees, the contractor will include in all advertisements for employees the notation: "An Equal Opportunity Employer." All such advertisements will be placed in publications having a large circulation among minorities and women in the area from which the project work force would normally be derived.

a. The contractor will, unless precluded by a valid bargaining agreement, conduct systematic and direct recruitment through public and private employee referral sources likely to yield qualified minorities and women. To meet this requirement, the contractor will identify sources of potential minority group employees and establish with such identified sources procedures whereby minority and women applicants may be referred to the contractor for employment consideration.

b. In the event the contractor has a valid bargaining agreement providing for exclusive hiring hall referrals, the contractor is expected to observe the provisions of that agreement to the extent that the system meets the contractor's compliance with EEO contract provisions. Where implementation of such an agreement has the effect of discriminating against minorities or women, or obligates the contractor to do the same, such implementation violates Federal nondiscrimination provisions.

c. The contractor will encourage its present employees to refer minorities and women as applicants for employment. Information and procedures with regard to referring such applicants will be discussed with employees.

**5. Personnel Actions:** Wages, working conditions, and employee benefits shall be established and administered, and personnel actions of every type, including hiring, upgrading, promotion, transfer, demotion, layoff, and termination, shall be taken without regard to race, color, religion, sex, sexual orientation, gender identity, national origin, age or disability. The following procedures shall be followed:

a. The contractor will conduct periodic inspections of project sites to ensure that working conditions and employee facilities do not indicate discriminatory treatment of project site personnel.

b. The contractor will periodically evaluate the spread of wages paid within each classification to determine any evidence of discriminatory wage practices.

c. The contractor will periodically review selected personnel actions in depth to determine whether there is evidence of discrimination. Where evidence is found, the contractor will promptly take corrective action. If the review indicates that the discrimination may extend beyond the actions reviewed, such corrective action shall include all affected persons.

d. The contractor will promptly investigate all complaints of alleged discrimination made to the contractor in connection with its obligations under this contract, will attempt to resolve such complaints, and will take appropriate corrective action

within a reasonable time. If the investigation indicates that the discrimination may affect persons other than the complainant, such corrective action shall include such other persons. Upon completion of each investigation, the contractor will inform every complainant of all of their avenues of appeal.

**6. Training and Promotion:**

a. The contractor will assist in locating, qualifying, and increasing the skills of minorities and women who are applicants for employment or current employees. Such efforts should be aimed at developing full journey level status employees in the type of trade or job classification involved.

b. Consistent with the contractor's work force requirements and as permissible under Federal and State regulations, the contractor shall make full use of training programs (i.e., apprenticeship and on-the-job training programs for the geographical area of contract performance). In the event a special provision for training is provided under this contract, this subparagraph will be superseded as indicated in the special provision. The contracting agency may reserve training positions for persons who receive welfare assistance in accordance with 23 U.S.C. 140(a).

c. The contractor will advise employees and applicants for employment of available training programs and entrance requirements for each.

d. The contractor will periodically review the training and promotion potential of employees who are minorities and women and will encourage eligible employees to apply for such training and promotion.

**7. Unions:** If the contractor relies in whole or in part upon unions as a source of employees, the contractor will use good faith efforts to obtain the cooperation of such unions to increase opportunities for minorities and women. 23 CFR 230.409. Actions by the contractor, either directly or through a contractor's association acting as agent, will include the procedures set forth below:

a. The contractor will use good faith efforts to develop, in cooperation with the unions, joint training programs aimed toward qualifying more minorities and women for membership in the unions and increasing the skills of minorities and women so that they may qualify for higher paying employment.

b. The contractor will use good faith efforts to incorporate an EEO clause into each union agreement to the end that such union will be contractually bound to refer applicants without regard to their race, color, religion, sex, sexual orientation, gender identity, national origin, age, or disability.

c. The contractor is to obtain information as to the referral practices and policies of the labor union except that to the extent such information is within the exclusive possession of the labor union and such labor union refuses to furnish such information to the contractor, the contractor shall so certify to the contracting agency and shall set forth what efforts have been made to obtain such information.

d. In the event the union is unable to provide the contractor with a reasonable flow of referrals within the time limit set forth in the collective bargaining agreement, the contractor will, through independent recruitment efforts, fill the employment vacancies without regard to race, color, religion, sex, sexual orientation, gender identity, national origin, age, or disability; making full efforts to obtain qualified and/or qualifiable minorities and women. The failure of a union to provide

sufficient referrals (even though it is obligated to provide exclusive referrals under the terms of a collective bargaining agreement) does not relieve the contractor from the requirements of this paragraph. In the event the union referral practice prevents the contractor from meeting the obligations pursuant to Executive Order 11246, as amended, and these special provisions, such contractor shall immediately notify the contracting agency.

**8. Reasonable Accommodation for Applicants / Employees with Disabilities:** The contractor must be familiar with the requirements for and comply with the Americans with Disabilities Act and all rules and regulations established thereunder. Employers must provide reasonable accommodation in all employment activities unless to do so would cause an undue hardship.

**9. Selection of Subcontractors, Procurement of Materials and Leasing of Equipment:** The contractor shall not discriminate on the grounds of race, color, religion, sex, sexual orientation, gender identity, national origin, age, or disability in the selection and retention of subcontractors, including procurement of materials and leases of equipment. The contractor shall take all necessary and reasonable steps to ensure nondiscrimination in the administration of this contract.

a. The contractor shall notify all potential subcontractors, suppliers, and lessors of their EEO obligations under this contract.

b. The contractor will use good faith efforts to ensure subcontractor compliance with their EEO obligations.

**10. Assurances Required:**

a. The requirements of 49 CFR Part 26 and the State DOT's FHWA-approved Disadvantaged Business Enterprise (DBE) program are incorporated by reference.

b. The contractor, subrecipient or subcontractor shall not discriminate on the basis of race, color, national origin, or sex in the performance of this contract. The contractor shall carry out applicable requirements of 49 CFR part 26 in the award and administration of DOT-assisted contracts. Failure by the contractor to carry out these requirements is a material breach of this contract, which may result in the termination of this contract or such other remedy as the recipient deems appropriate, which may include, but is not limited to:

- (1) Withholding monthly progress payments;
- (2) Assessing sanctions;
- (3) Liquidated damages; and/or
- (4) Disqualifying the contractor from future bidding as non-responsible.

c. The Title VI and nondiscrimination provisions of U.S. DOT Order 1050.2A at Appendixes A and E are incorporated by reference. 49 CFR Part 21.

**11. Records and Reports:** The contractor shall keep such records as necessary to document compliance with the EEO requirements. Such records shall be retained for a period of three years following the date of the final payment to the contractor for all contract work and shall be available at reasonable times and places for inspection by authorized representatives of the contracting agency and the FHWA.

a. The records kept by the contractor shall document the following:

(1) The number and work hours of minority and non-minority group members and women employed in each work classification on the project;

(2) The progress and efforts being made in cooperation with unions, when applicable, to increase employment opportunities for minorities and women; and

(3) The progress and efforts being made in locating, hiring, training, qualifying, and upgrading minorities and women.

b. The contractors and subcontractors will submit an annual report to the contracting agency each July for the duration of the project indicating the number of minority, women, and non-minority group employees currently engaged in each work classification required by the contract work. This information is to be reported on [Form FHWA-1391](#). The staffing data should represent the project work force on board in all or any part of the last payroll period preceding the end of July. If on-the-job training is being required by special provision, the contractor will be required to collect and report training data. The employment data should reflect the work force on board during all or any part of the last payroll period preceding the end of July.

### III. NONSEGREGATED FACILITIES

This provision is applicable to all Federal-aid construction contracts and to all related construction subcontracts of more than \$10,000. 41 CFR 60-1.5.

As prescribed by 41 CFR 60-1.8, the contractor must ensure that facilities provided for employees are provided in such a manner that segregation on the basis of race, color, religion, sex, sexual orientation, gender identity, or national origin cannot result. The contractor may neither require such segregated use by written or oral policies nor tolerate such use by employee custom. The contractor's obligation extends further to ensure that its employees are not assigned to perform their services at any location under the contractor's control where the facilities are segregated. The term "facilities" includes waiting rooms, work areas, restaurants and other eating areas, time clocks, restrooms, washrooms, locker rooms and other storage or dressing areas, parking lots, drinking fountains, recreation or entertainment areas, transportation, and housing provided for employees. The contractor shall provide separate or single-user restrooms and necessary dressing or sleeping areas to assure privacy between sexes.

### IV. DAVIS-BACON AND RELATED ACT PROVISIONS

This section is applicable to all Federal-aid construction projects exceeding \$2,000 and to all related subcontracts and lower-tier subcontracts (regardless of subcontract size), in accordance with 29 CFR 5.5. The requirements apply to all projects located within the right-of-way of a roadway that is functionally classified as Federal-aid highway. 23 U.S.C. 113. This excludes roadways functionally classified as local roads or rural minor collectors, which are exempt. 23 U.S.C. 101. Where applicable law requires that projects be treated as a project on a Federal-aid highway, the provisions of this subpart will apply regardless of the location of the project. Examples include: Surface Transportation Block Grant Program projects funded under 23 U.S.C. 133 [excluding recreational trails projects], the Nationally Significant Freight and Highway

Projects funded under 23 U.S.C. 117, and National Highway Freight Program projects funded under 23 U.S.C. 167.

The following provisions are from the U.S. Department of Labor regulations in 29 CFR 5.5 "Contract provisions and related matters" with minor revisions to conform to the FHWA-1273 format and FHWA program requirements.

#### 1. Minimum wages (29 CFR 5.5)

a. All laborers and mechanics employed or working upon the site of the work, will be paid unconditionally and not less often than once a week, and without subsequent deduction or rebate on any account (except such payroll deductions as are permitted by regulations issued by the Secretary of Labor under the Copeland Act (29 CFR part 3)), the full amount of wages and bona fide fringe benefits (or cash equivalents thereof) due at time of payment computed at rates not less than those contained in the wage determination of the Secretary of Labor which is attached hereto and made a part hereof, regardless of any contractual relationship which may be alleged to exist between the contractor and such laborers and mechanics.

Contributions made or costs reasonably anticipated for bona fide fringe benefits under section 1(b)(2) of the Davis-Bacon Act on behalf of laborers or mechanics are considered wages paid to such laborers or mechanics, subject to the provisions of paragraph 1.d. of this section; also, regular contributions made or costs incurred for more than a weekly period (but not less often than quarterly) under plans, funds, or programs which cover the particular weekly period, are deemed to be constructively made or incurred during such weekly period. Such laborers and mechanics shall be paid the appropriate wage rate and fringe benefits on the wage determination for the classification of work actually performed, without regard to skill, except as provided in 29 CFR 5.5(a)(4). Laborers or mechanics performing work in more than one classification may be compensated at the rate specified for each classification for the time actually worked therein: Provided, That the employer's payroll records accurately set forth the time spent in each classification in which work is performed. The wage determination (including any additional classification and wage rates conformed under paragraph 1.b. of this section) and the Davis-Bacon poster (WH-1321) shall be posted at all times by the contractor and its subcontractors at the site of the work in a prominent and accessible place where it can be easily seen by the workers.

b.(1) The contracting officer shall require that any class of laborers or mechanics, including helpers, which is not listed in the wage determination and which is to be employed under the contract shall be classified in conformance with the wage determination. The contracting officer shall approve an additional classification and wage rate and fringe benefits therefore only when the following criteria have been met:

(i) The work to be performed by the classification requested is not performed by a classification in the wage determination; and

(ii) The classification is utilized in the area by the construction industry; and

(iii) The proposed wage rate, including any bona fide fringe benefits, bears a reasonable relationship to the wage rates contained in the wage determination.

(2) If the contractor and the laborers and mechanics to be employed in the classification (if known), or their representatives, and the contracting officer agree on the classification and wage rate (including the amount designated for fringe benefits where appropriate), a report of the action taken shall be sent by the contracting officer to the Administrator of the Wage and Hour Division, U.S. Department of Labor, Washington, DC 20210. The Administrator, or an authorized representative, will approve, modify, or disapprove every additional classification action within 30 days of receipt and so advise the contracting officer or will notify the contracting officer within the 30-day period that additional time is necessary.

(3) In the event the contractor, the laborers or mechanics to be employed in the classification or their representatives, and the contracting officer do not agree on the proposed classification and wage rate (including the amount designated for fringe benefits, where appropriate), the contracting officer shall refer the questions, including the views of all interested parties and the recommendation of the contracting officer, to the Administrator for determination. The Administrator, or an authorized representative, will issue a determination within 30 days of receipt and so advise the contracting officer or will notify the contracting officer within the 30-day period that additional time is necessary.

(4) The wage rate (including fringe benefits where appropriate) determined pursuant to paragraphs 1.b.(2) or 1.b.(3) of this section, shall be paid to all workers performing work in the classification under this contract from the first day on which work is performed in the classification.

c. Whenever the minimum wage rate prescribed in the contract for a class of laborers or mechanics includes a fringe benefit which is not expressed as an hourly rate, the contractor shall either pay the benefit as stated in the wage determination or shall pay another bona fide fringe benefit or an hourly cash equivalent thereof.

d. If the contractor does not make payments to a trustee or other third person, the contractor may consider as part of the wages of any laborer or mechanic the amount of any costs reasonably anticipated in providing bona fide fringe benefits under a plan or program, Provided, That the Secretary of Labor has found, upon the written request of the contractor, that the applicable standards of the Davis-Bacon Act have been met. The Secretary of Labor may require the contractor to set aside in a separate account assets for the meeting of obligations under the plan or program.

## 2. Withholding (29 CFR 5.5)

The contracting agency shall upon its own action or upon written request of an authorized representative of the Department of Labor, withhold or cause to be withheld from the contractor under this contract, or any other Federal contract with the same prime contractor, or any other federally-assisted contract subject to Davis-Bacon prevailing wage requirements, which is held by the same prime contractor, so much of the accrued payments or advances as may be considered necessary to pay laborers and mechanics,

including apprentices, trainees, and helpers, employed by the contractor or any subcontractor the full amount of wages required by the contract. In the event of failure to pay any laborer or mechanic, including any apprentice, trainee, or helper, employed or working on the site of the work, all or part of the wages required by the contract, the contracting agency may, after written notice to the contractor, take such action as may be necessary to cause the suspension of any further payment, advance, or guarantee of funds until such violations have ceased.

## 3. Payrolls and basic records (29 CFR 5.5)

a. Payrolls and basic records relating thereto shall be maintained by the contractor during the course of the work and preserved for a period of three years thereafter for all laborers and mechanics working at the site of the work. Such records shall contain the name, address, and social security number of each such worker, his or her correct classification, hourly rates of wages paid (including rates of contributions or costs anticipated for bona fide fringe benefits or cash equivalents thereof of the types described in section 1(b)(2)(B) of the Davis-Bacon Act), daily and weekly number of hours worked, deductions made and actual wages paid. Whenever the Secretary of Labor has found under 29 CFR 5.5(a)(1)(iv) that the wages of any laborer or mechanic include the amount of any costs reasonably anticipated in providing benefits under a plan or program described in section 1(b)(2)(B) of the Davis-Bacon Act, the contractor shall maintain records which show that the commitment to provide such benefits is enforceable, that the plan or program is financially responsible, and that the plan or program has been communicated in writing to the laborers or mechanics affected, and records which show the costs anticipated or the actual cost incurred in providing such benefits. Contractors employing apprentices or trainees under approved programs shall maintain written evidence of the registration of apprenticeship programs and certification of trainee programs, the registration of the apprentices and trainees, and the ratios and wage rates prescribed in the applicable programs.

b.(1) The contractor shall submit weekly for each week in which any contract work is performed a copy of all payrolls to the contracting agency. The payrolls submitted shall set out accurately and completely all of the information required to be maintained under 29 CFR 5.5(a)(3)(i), except that full social security numbers and home addresses shall not be included on weekly transmittals. Instead the payrolls shall only need to include an individually identifying number for each employee (e.g., the last four digits of the employee's social security number). The required weekly payroll information may be submitted in any form desired. Optional Form WH-347 is available for this purpose from the Wage and Hour Division Web site. The prime contractor is responsible for the submission of copies of payrolls by all subcontractors. Contractors and subcontractors shall maintain the full social security number and current address of each covered worker, and shall provide them upon request to the contracting agency for transmission to the State DOT, the FHWA or the Wage and Hour Division of the Department of Labor for purposes of an investigation or audit of compliance with prevailing wage requirements. It is not a violation of this section for a prime contractor to require a subcontractor to provide addresses and social security numbers to the prime contractor for its own records, without weekly submission to the contracting agency.

(2) Each payroll submitted shall be accompanied by a "Statement of Compliance," signed by the contractor or

subcontractor or his or her agent who pays or supervises the payment of the persons employed under the contract and shall certify the following:

(i) That the payroll for the payroll period contains the information required to be provided under 29 CFR 5.5(a)(3)(ii), the appropriate information is being maintained under 29 CFR 5.5(a)(3)(i), and that such information is correct and complete;

(ii) That each laborer or mechanic (including each helper, apprentice, and trainee) employed on the contract during the payroll period has been paid the full weekly wages earned, without rebate, either directly or indirectly, and that no deductions have been made either directly or indirectly from the full wages earned, other than permissible deductions as set forth in 29 CFR part 3;

(iii) That each laborer or mechanic has been paid not less than the applicable wage rates and fringe benefits or cash equivalents for the classification of work performed, as specified in the applicable wage determination incorporated into the contract.

(3) The weekly submission of a properly executed certification set forth on the reverse side of Optional Form WH-347 shall satisfy the requirement for submission of the "Statement of Compliance" required by paragraph 3.b.(2) of this section.

(4) The falsification of any of the above certifications may subject the contractor or subcontractor to civil or criminal prosecution under 18 U.S.C. 1001 and 31 U.S.C. 231.

c. The contractor or subcontractor shall make the records required under paragraph 3.a. of this section available for inspection, copying, or transcription by authorized representatives of the contracting agency, the State DOT, the FHWA, or the Department of Labor, and shall permit such representatives to interview employees during working hours on the job. If the contractor or subcontractor fails to submit the required records or to make them available, the FHWA may, after written notice to the contractor, the contracting agency or the State DOT, take such action as may be necessary to cause the suspension of any further payment, advance, or guarantee of funds. Furthermore, failure to submit the required records upon request or to make such records available may be grounds for debarment action pursuant to 29 CFR 5.12.

**4. Apprentices and trainees (29 CFR 5.5)**

**a. Apprentices (programs of the USDOL).**

Apprentices will be permitted to work at less than the predetermined rate for the work they performed when they are employed pursuant to and individually registered in a bona fide apprenticeship program registered with the U.S. Department of Labor, Employment and Training Administration, Office of Apprenticeship Training, Employer and Labor Services, or with a State Apprenticeship Agency recognized by the Office, or if a person is employed in his or her first 90 days of probationary employment as an apprentice in such an apprenticeship program, who is not individually registered in the program, but who has been certified by the Office of Apprenticeship Training, Employer and Labor Services or a State

Apprenticeship Agency (where appropriate) to be eligible for probationary employment as an apprentice.

The allowable ratio of apprentices to journeymen on the job site in any craft classification shall not be greater than the ratio permitted to the contractor as to the entire work force under the registered program. Any worker listed on a payroll at an apprentice wage rate, who is not registered or otherwise employed as stated above, shall be paid not less than the applicable wage rate on the wage determination for the classification of work actually performed. In addition, any apprentice performing work on the job site in excess of the ratio permitted under the registered program shall be paid not less than the applicable wage rate on the wage determination for the work actually performed. Where a contractor is performing construction on a project in a locality other than that in which its program is registered, the ratios and wage rates (expressed in percentages of the journeyman's hourly rate) specified in the contractor's or subcontractor's registered program shall be observed.

Every apprentice must be paid at not less than the rate specified in the registered program for the apprentice's level of progress, expressed as a percentage of the journeymen hourly rate specified in the applicable wage determination. Apprentices shall be paid fringe benefits in accordance with the provisions of the apprenticeship program. If the apprenticeship program does not specify fringe benefits, apprentices must be paid the full amount of fringe benefits listed on the wage determination for the applicable classification. If the Administrator determines that a different practice prevails for the applicable apprentice classification, fringes shall be paid in accordance with that determination.

In the event the Office of Apprenticeship Training, Employer and Labor Services, or a State Apprenticeship Agency recognized by the Office, withdraws approval of an apprenticeship program, the contractor will no longer be permitted to utilize apprentices at less than the applicable predetermined rate for the work performed until an acceptable program is approved.

**b. Trainees (programs of the USDOL).**

Except as provided in 29 CFR 5.16, trainees will not be permitted to work at less than the predetermined rate for the work performed unless they are employed pursuant to and individually registered in a program which has received prior approval, evidenced by formal certification by the U.S. Department of Labor, Employment and Training Administration.

The ratio of trainees to journeymen on the job site shall not be greater than permitted under the plan approved by the Employment and Training Administration.

Every trainee must be paid at not less than the rate specified in the approved program for the trainee's level of progress, expressed as a percentage of the journeyman hourly rate specified in the applicable wage determination. Trainees shall be paid fringe benefits in accordance with the provisions of the trainee program. If the trainee program does not mention fringe benefits, trainees shall be paid the full amount of fringe benefits listed on the wage determination unless the Administrator of the Wage and Hour Division determines that there is an apprenticeship program associated with the



corresponding journeyman wage rate on the wage determination which provides for less than full fringe benefits for apprentices. Any employee listed on the payroll at a trainee rate who is not registered and participating in a training plan approved by the Employment and Training Administration shall be paid not less than the applicable wage rate on the wage determination for the classification of work actually performed. In addition, any trainee performing work on the job site in excess of the ratio permitted under the registered program shall be paid not less than the applicable wage rate on the wage determination for the work actually performed.

In the event the Employment and Training Administration withdraws approval of a training program, the contractor will no longer be permitted to utilize trainees at less than the applicable predetermined rate for the work performed until an acceptable program is approved.

c. Equal employment opportunity. The utilization of apprentices, trainees and journeymen under this part shall be in conformity with the equal employment opportunity requirements of Executive Order 11246, as amended, and 29 CFR part 30.

d. Apprentices and Trainees (programs of the U.S. DOT).

Apprentices and trainees working under apprenticeship and skill training programs which have been certified by the Secretary of Transportation as promoting EEO in connection with Federal-aid highway construction programs are not subject to the requirements of paragraph 4 of this Section IV. 23 CFR 230.111(e)(2). The straight time hourly wage rates for apprentices and trainees under such programs will be established by the particular programs. The ratio of apprentices and trainees to journeymen shall not be greater than permitted by the terms of the particular program.

**5. Compliance with Copeland Act requirements.** The contractor shall comply with the requirements of 29 CFR part 3, which are incorporated by reference in this contract as provided in 29 CFR 5.5.

**6. Subcontracts.** The contractor or subcontractor shall insert Form FHWA-1273 in any subcontracts and also require the subcontractors to include Form FHWA-1273 in any lower tier subcontracts. The prime contractor shall be responsible for the compliance by any subcontractor or lower tier subcontractor with all the contract clauses in 29 CFR 5.5.

**7. Contract termination: debarment.** A breach of the contract clauses in 29 CFR 5.5 may be grounds for termination of the contract, and for debarment as a contractor and a subcontractor as provided in 29 CFR 5.12.

**8. Compliance with Davis-Bacon and Related Act requirements.** All rulings and interpretations of the Davis-Bacon and Related Acts contained in 29 CFR parts 1, 3, and 5 are herein incorporated by reference in this contract as provided in 29 CFR 5.5.

**9. Disputes concerning labor standards.** As provided in 29 CFR 5.5, disputes arising out of the labor standards provisions of this contract shall not be subject to the general disputes clause of this contract. Such disputes shall be resolved in accordance with the procedures of the Department of Labor

set forth in 29 CFR parts 5, 6, and 7. Disputes within the meaning of this clause include disputes between the contractor (or any of its subcontractors) and the contracting agency, the U.S. Department of Labor, or the employees or their representatives.

#### **10. Certification of eligibility (29 CFR 5.5)**

a. By entering into this contract, the contractor certifies that neither it (nor he or she) nor any person or firm who has an interest in the contractor's firm is a person or firm ineligible to be awarded Government contracts by virtue of section 3(a) of the Davis-Bacon Act or 29 CFR 5.12(a)(1).

b. No part of this contract shall be subcontracted to any person or firm ineligible for award of a Government contract by virtue of section 3(a) of the Davis-Bacon Act or 29 CFR 5.12(a)(1).

c. The penalty for making false statements is prescribed in the U.S. Criminal Code, 18 U.S.C. 1001.

#### **V. CONTRACT WORK HOURS AND SAFETY STANDARDS ACT**

Pursuant to 29 CFR 5.5(b), the following clauses apply to any Federal-aid construction contract in an amount in excess of \$100,000 and subject to the overtime provisions of the Contract Work Hours and Safety Standards Act. These clauses shall be inserted in addition to the clauses required by 29 CFR 5.5(a) or 29 CFR 4.6. As used in this paragraph, the terms laborers and mechanics include watchmen and guards.

**1. Overtime requirements.** No contractor or subcontractor contracting for any part of the contract work which may require or involve the employment of laborers or mechanics shall require or permit any such laborer or mechanic in any workweek in which he or she is employed on such work to work in excess of forty hours in such workweek unless such laborer or mechanic receives compensation at a rate not less than one and one-half times the basic rate of pay for all hours worked in excess of forty hours in such workweek. 29 CFR 5.5.

**2. Violation; liability for unpaid wages; liquidated damages.** In the event of any violation of the clause set forth in paragraph 1 of this section, the contractor and any subcontractor responsible therefor shall be liable for the unpaid wages. In addition, such contractor and subcontractor shall be liable to the United States (in the case of work done under contract for the District of Columbia or a territory, to such District or to such territory), for liquidated damages. Such liquidated damages shall be computed with respect to each individual laborer or mechanic, including watchmen and guards, employed in violation of the clause set forth in paragraph 1 of this section, in the sum currently provided in 29 CFR 5.5(b)(2)\* for each calendar day on which such individual was required or permitted to work in excess of the standard workweek of forty hours without payment of the overtime wages required by the clause set forth in paragraph 1 of this section. 29 CFR 5.5.

\* \$27 as of January 23, 2019 (See 84 FR 213-01, 218) as may be adjusted annually by the Department of Labor; pursuant to the Federal Civil Penalties Inflation Adjustment Act of 1990).

**3. Withholding for unpaid wages and liquidated damages.**

The FHWA or the contacting agency shall upon its own action or upon written request of an authorized representative of the Department of Labor withhold or cause to be withheld, from any moneys payable on account of work performed by the contractor or subcontractor under any such contract or any other Federal contract with the same prime contractor, or any other federally-assisted contract subject to the Contract Work Hours and Safety Standards Act, which is held by the same prime contractor, such sums as may be determined to be necessary to satisfy any liabilities of such contractor or subcontractor for unpaid wages and liquidated damages as provided in the clause set forth in paragraph 2 of this section. 29 CFR 5.5.

**4. Subcontracts.** The contractor or subcontractor shall insert in any subcontracts the clauses set forth in paragraphs 1 through 4 of this section and also a clause requiring the subcontractors to include these clauses in any lower tier subcontracts. The prime contractor shall be responsible for compliance by any subcontractor or lower tier subcontractor with the clauses set forth in paragraphs 1 through 4 of this section. 29 CFR 5.5.

**VI. SUBLETTING OR ASSIGNING THE CONTRACT**

This provision is applicable to all Federal-aid construction contracts on the National Highway System pursuant to 23 CFR 635.116.

1. The contractor shall perform with its own organization contract work amounting to not less than 30 percent (or a greater percentage if specified elsewhere in the contract) of the total original contract price, excluding any specialty items designated by the contracting agency. Specialty items may be performed by subcontract and the amount of any such specialty items performed may be deducted from the total original contract price before computing the amount of work required to be performed by the contractor's own organization (23 CFR 635.116).

a. The term "perform work with its own organization" in paragraph 1 of Section VI refers to workers employed or leased by the prime contractor, and equipment owned or rented by the prime contractor, with or without operators. Such term does not include employees or equipment of a subcontractor or lower tier subcontractor, agents of the prime contractor, or any other assignees. The term may include payments for the costs of hiring leased employees from an employee leasing firm meeting all relevant Federal and State regulatory requirements. Leased employees may only be included in this term if the prime contractor meets all of the following conditions: (based on longstanding interpretation)

- (1) the prime contractor maintains control over the supervision of the day-to-day activities of the leased employees;
- (2) the prime contractor remains responsible for the quality of the work of the leased employees;
- (3) the prime contractor retains all power to accept or exclude individual employees from work on the project; and
- (4) the prime contractor remains ultimately responsible for the payment of predetermined minimum wages, the submission of payrolls, statements of compliance and all other Federal regulatory requirements.

b. "Specialty Items" shall be construed to be limited to work that requires highly specialized knowledge, abilities, or

equipment not ordinarily available in the type of contracting organizations qualified and expected to bid or propose on the contract as a whole and in general are to be limited to minor components of the overall contract. 23 CFR 635.102.

2. Pursuant to 23 CFR 635.116(a), the contract amount upon which the requirements set forth in paragraph (1) of Section VI is computed includes the cost of material and manufactured products which are to be purchased or produced by the contractor under the contract provisions.

3. Pursuant to 23 CFR 635.116(c), the contractor shall furnish (a) a competent superintendent or supervisor who is employed by the firm, has full authority to direct performance of the work in accordance with the contract requirements, and is in charge of all construction operations (regardless of who performs the work) and (b) such other of its own organizational resources (supervision, management, and engineering services) as the contracting officer determines is necessary to assure the performance of the contract.

4. No portion of the contract shall be sublet, assigned or otherwise disposed of except with the written consent of the contracting officer, or authorized representative, and such consent when given shall not be construed to relieve the contractor of any responsibility for the fulfillment of the contract. Written consent will be given only after the contracting agency has assured that each subcontract is evidenced in writing and that it contains all pertinent provisions and requirements of the prime contract. (based on long-standing interpretation of 23 CFR 635.116).

5. The 30-percent self-performance requirement of paragraph (1) is not applicable to design-build contracts; however, contracting agencies may establish their own self-performance requirements. 23 CFR 635.116(d).

**VII. SAFETY: ACCIDENT PREVENTION**

This provision is applicable to all Federal-aid construction contracts and to all related subcontracts.

1. In the performance of this contract the contractor shall comply with all applicable Federal, State, and local laws governing safety, health, and sanitation (23 CFR Part 635). The contractor shall provide all safeguards, safety devices and protective equipment and take any other needed actions as it determines, or as the contracting officer may determine, to be reasonably necessary to protect the life and health of employees on the job and the safety of the public and to protect property in connection with the performance of the work covered by the contract. 23 CFR 635.108.

2. It is a condition of this contract, and shall be made a condition of each subcontract, which the contractor enters into pursuant to this contract, that the contractor and any subcontractor shall not permit any employee, in performance of the contract, to work in surroundings or under conditions which are unsanitary, hazardous or dangerous to his/her health or safety, as determined under construction safety and health standards (29 CFR Part 1926) promulgated by the Secretary of Labor, in accordance with Section 107 of the Contract Work Hours and Safety Standards Act (40 U.S.C. 3704). 29 CFR 1926.10.

3. Pursuant to 29 CFR 1926.3, it is a condition of this contract that the Secretary of Labor or authorized representative thereof, shall have right of entry to any site of contract performance to inspect or investigate the matter of compliance

with the construction safety and health standards and to carry out the duties of the Secretary under Section 107 of the Contract Work Hours and Safety Standards Act (40 U.S.C. 3704).

**VIII. FALSE STATEMENTS CONCERNING HIGHWAY PROJECTS**

This provision is applicable to all Federal-aid construction contracts and to all related subcontracts.

In order to assure high quality and durable construction in conformity with approved plans and specifications and a high degree of reliability on statements and representations made by engineers, contractors, suppliers, and workers on Federal-aid highway projects, it is essential that all persons concerned with the project perform their functions as carefully, thoroughly, and honestly as possible. Willful falsification, distortion, or misrepresentation with respect to any facts related to the project is a violation of Federal law. To prevent any misunderstanding regarding the seriousness of these and similar acts, Form FHWA-1022 shall be posted on each Federal-aid highway project (23 CFR Part 635) in one or more places where it is readily available to all persons concerned with the project:

18 U.S.C. 1020 reads as follows:

"Whoever, being an officer, agent, or employee of the United States, or of any State or Territory, or whoever, whether a person, association, firm, or corporation, knowingly makes any false statement, false representation, or false report as to the character, quality, quantity, or cost of the material used or to be used, or the quantity or quality of the work performed or to be performed, or the cost thereof in connection with the submission of plans, maps, specifications, contracts, or costs of construction on any highway or related project submitted for approval to the Secretary of Transportation; or

Whoever knowingly makes any false statement, false representation, false report or false claim with respect to the character, quality, quantity, or cost of any work performed or to be performed, or materials furnished or to be furnished, in connection with the construction of any highway or related project approved by the Secretary of Transportation; or

Whoever knowingly makes any false statement or false representation as to material fact in any statement, certificate, or report submitted pursuant to provisions of the Federal-aid Roads Act approved July 11, 1916, (39 Stat. 355), as amended and supplemented;

Shall be fined under this title or imprisoned not more than 5 years or both."

**IX. IMPLEMENTATION OF CLEAN AIR ACT AND FEDERAL WATER POLLUTION CONTROL ACT (42 U.S.C. 7606; 2 CFR 200.88; EO 11738)**

This provision is applicable to all Federal-aid construction contracts in excess of \$150,000 and to all related subcontracts. 48 CFR 2.101; 2 CFR 200.326.

By submission of this bid/proposal or the execution of this contract or subcontract, as appropriate, the bidder, proposer, Federal-aid construction contractor, subcontractor, supplier, or vendor agrees to comply with all applicable standards, orders

or regulations issued pursuant to the Clean Air Act (42 U.S.C. 7401-7671q) and the Federal Water Pollution Control Act, as amended (33 U.S.C. 1251-1387). Violations must be reported to the Federal Highway Administration and the Regional Office of the Environmental Protection Agency. 2 CFR Part 200, Appendix II.

The contractor agrees to include or cause to be included the requirements of this Section in every subcontract, and further agrees to take such action as the contracting agency may direct as a means of enforcing such requirements. 2 CFR 200.326.

**X. CERTIFICATION REGARDING DEBARMENT, SUSPENSION, INELIGIBILITY AND VOLUNTARY EXCLUSION**

This provision is applicable to all Federal-aid construction contracts, design-build contracts, subcontracts, lower-tier subcontracts, purchase orders, lease agreements, consultant contracts or any other covered transaction requiring FHWA approval or that is estimated to cost \$25,000 or more – as defined in 2 CFR Parts 180 and 1200. 2 CFR 180.220 and 1200.220.

**1. Instructions for Certification – First Tier Participants:**

a. By signing and submitting this proposal, the prospective first tier participant is providing the certification set out below.

b. The inability of a person to provide the certification set out below will not necessarily result in denial of participation in this covered transaction. The prospective first tier participant shall submit an explanation of why it cannot provide the certification set out below. The certification or explanation will be considered in connection with the department or agency's determination whether to enter into this transaction. However, failure of the prospective first tier participant to furnish a certification or an explanation shall disqualify such a person from participation in this transaction. 2 CFR 180.320.

c. The certification in this clause is a material representation of fact upon which reliance was placed when the contracting agency determined to enter into this transaction. If it is later determined that the prospective participant knowingly rendered an erroneous certification, in addition to other remedies available to the Federal Government, the contracting agency may terminate this transaction for cause of default. 2 CFR 180.325.

d. The prospective first tier participant shall provide immediate written notice to the contracting agency to whom this proposal is submitted if any time the prospective first tier participant learns that its certification was erroneous when submitted or has become erroneous by reason of changed circumstances. 2 CFR 180.345 and 180.350.

e. The terms "covered transaction," "debarred," "suspended," "ineligible," "participant," "person," "principal," and "voluntarily excluded," as used in this clause, are defined in 2 CFR Parts 180, Subpart I, 180.900-180.1020, and 1200. "First Tier Covered Transactions" refers to any covered transaction between a recipient or subrecipient of Federal funds and a participant (such as the prime or general contract). "Lower Tier Covered Transactions" refers to any covered transaction under a First Tier Covered Transaction (such as subcontracts). "First Tier Participant" refers to the participant

who has entered into a covered transaction with a recipient or subrecipient of Federal funds (such as the prime or general contractor). "Lower Tier Participant" refers any participant who has entered into a covered transaction with a First Tier Participant or other Lower Tier Participants (such as subcontractors and suppliers).

f. The prospective first tier participant agrees by submitting this proposal that, should the proposed covered transaction be entered into, it shall not knowingly enter into any lower tier covered transaction with a person who is debarred, suspended, declared ineligible, or voluntarily excluded from participation in this covered transaction, unless authorized by the department or agency entering into this transaction. 2 CFR 180.330.

g. The prospective first tier participant further agrees by submitting this proposal that it will include the clause titled "Certification Regarding Debarment, Suspension, Ineligibility and Voluntary Exclusion-Lower Tier Covered Transactions," provided by the department or contracting agency, entering into this covered transaction, without modification, in all lower tier covered transactions and in all solicitations for lower tier covered transactions exceeding the \$25,000 threshold. 2 CFR 180.220 and 180.300.

h. A participant in a covered transaction may rely upon a certification of a prospective participant in a lower tier covered transaction that is not debarred, suspended, ineligible, or voluntarily excluded from the covered transaction, unless it knows that the certification is erroneous. 2 CFR 180.300; 180.320, and 180.325. A participant is responsible for ensuring that its principals are not suspended, debarred, or otherwise ineligible to participate in covered transactions. 2 CFR 180.335. To verify the eligibility of its principals, as well as the eligibility of any lower tier prospective participants, each participant may, but is not required to, check the System for Award Management website (<https://www.sam.gov/>). 2 CFR 180.300, 180.320, and 180.325.

i. Nothing contained in the foregoing shall be construed to require the establishment of a system of records in order to render in good faith the certification required by this clause. The knowledge and information of the prospective participant is not required to exceed that which is normally possessed by a prudent person in the ordinary course of business dealings.

j. Except for transactions authorized under paragraph (f) of these instructions, if a participant in a covered transaction knowingly enters into a lower tier covered transaction with a person who is suspended, debarred, ineligible, or voluntarily excluded from participation in this transaction, in addition to other remedies available to the Federal Government, the department or agency may terminate this transaction for cause or default. 2 CFR 180.325.

\*\*\*\*\*

**2. Certification Regarding Debarment, Suspension, Ineligibility and Voluntary Exclusion – First Tier Participants:**

a. The prospective first tier participant certifies to the best of its knowledge and belief, that it and its principals:

(1) Are not presently debarred, suspended, proposed for debarment, declared ineligible, or voluntarily excluded from participating in covered transactions by any Federal department or agency, 2 CFR 180.335;.

(2) Have not within a three-year period preceding this proposal been convicted of or had a civil judgment rendered against them for commission of fraud or a criminal offense in connection with obtaining, attempting to obtain, or performing a public (Federal, State, or local) transaction or contract under a public transaction; violation of Federal or State antitrust statutes or commission of embezzlement, theft, forgery, bribery, falsification or destruction of records, making false statements, or receiving stolen property, 2 CFR 180.800;

(3) Are not presently indicted for or otherwise criminally or civilly charged by a governmental entity (Federal, State or local) with commission of any of the offenses enumerated in paragraph (a)(2) of this certification, 2 CFR 180.700 and 180.800; and

(4) Have not within a three-year period preceding this application/proposal had one or more public transactions (Federal, State or local) terminated for cause or default. 2 CFR 180.335(d).

(5) Are not a corporation that has been convicted of a felony violation under any Federal law within the two-year period preceding this proposal (USDOT Order 4200.6 implementing appropriations act requirements); and

(6) Are not a corporation with any unpaid Federal tax liability that has been assessed, for which all judicial and administrative remedies have been exhausted, or have lapsed, and that is not being paid in a timely manner pursuant to an agreement with the authority responsible for collecting the tax liability (USDOT Order 4200.6 implementing appropriations act requirements).

b. Where the prospective participant is unable to certify to any of the statements in this certification, such prospective participant should attach an explanation to this proposal. 2 CFR 180.335 and 180.340.

**3. Instructions for Certification - Lower Tier Participants:**

(Applicable to all subcontracts, purchase orders, and other lower tier transactions requiring prior FHWA approval or estimated to cost \$25,000 or more - 2 CFR Parts 180 and 1200). 2 CFR 180.220 and 1200.220.

a. By signing and submitting this proposal, the prospective lower tier participant is providing the certification set out below.

b. The certification in this clause is a material representation of fact upon which reliance was placed when this transaction was entered into. If it is later determined that the prospective lower tier participant knowingly rendered an erroneous certification, in addition to other remedies available to the Federal Government, the department, or agency with which this transaction originated may pursue available remedies, including suspension and/or debarment.

c. The prospective lower tier participant shall provide immediate written notice to the person to which this proposal is submitted if at any time the prospective lower tier participant learns that its certification was erroneous by reason of changed circumstances. 2 CFR 180.365.

d. The terms "covered transaction," "debarred," "suspended," "ineligible," "participant," "person," "principal," and "voluntarily excluded," as used in this clause, are defined in 2 CFR Parts 180, Subpart I, 180.900 – 180.1020, and 1200. You may contact the person to which this proposal is

submitted for assistance in obtaining a copy of those regulations. "First Tier Covered Transactions" refers to any covered transaction between a recipient or subrecipient of Federal funds and a participant (such as the prime or general contract). "Lower Tier Covered Transactions" refers to any covered transaction under a First Tier Covered Transaction (such as subcontracts). "First Tier Participant" refers to the participant who has entered into a covered transaction with a recipient or subrecipient of Federal funds (such as the prime or general contractor). "Lower Tier Participant" refers any participant who has entered into a covered transaction with a First Tier Participant or other Lower Tier Participants (such as subcontractors and suppliers).

e. The prospective lower tier participant agrees by submitting this proposal that, should the proposed covered transaction be entered into, it shall not knowingly enter into any lower tier covered transaction with a person who is debarred, suspended, declared ineligible, or voluntarily excluded from participation in this covered transaction, unless authorized by the department or agency with which this transaction originated. 2 CFR 1200.220 and 1200.332.

f. The prospective lower tier participant further agrees by submitting this proposal that it will include this clause titled "Certification Regarding Debarment, Suspension, Ineligibility and Voluntary Exclusion-Lower Tier Covered Transaction," without modification, in all lower tier covered transactions and in all solicitations for lower tier covered transactions exceeding the \$25,000 threshold. 2 CFR 180.220 and 1200.220.

g. A participant in a covered transaction may rely upon a certification of a prospective participant in a lower tier covered transaction that is not debarred, suspended, ineligible, or voluntarily excluded from the covered transaction, unless it knows that the certification is erroneous. A participant is responsible for ensuring that its principals are not suspended, debarred, or otherwise ineligible to participate in covered transactions. To verify the eligibility of its principals, as well as the eligibility of any lower tier prospective participants, each participant may, but is not required to, check the System for Award Management website (<https://www.sam.gov/>), which is compiled by the General Services Administration. 2 CFR 180.300, 180.320, 180.330, and 180.335.

h. Nothing contained in the foregoing shall be construed to require establishment of a system of records in order to render in good faith the certification required by this clause. The knowledge and information of participant is not required to exceed that which is normally possessed by a prudent person in the ordinary course of business dealings.

i. Except for transactions authorized under paragraph e of these instructions, if a participant in a covered transaction knowingly enters into a lower tier covered transaction with a person who is suspended, debarred, ineligible, or voluntarily excluded from participation in this transaction, in addition to other remedies available to the Federal Government, the department or agency with which this transaction originated may pursue available remedies, including suspension and/or debarment. 2 CFR 180.325.

\*\*\*\*\*

**Certification Regarding Debarment, Suspension, Ineligibility and Voluntary Exclusion--Lower Tier Participants:**

1. The prospective lower tier participant certifies, by submission of this proposal, that neither it nor its principals:

(a) is presently debarred, suspended, proposed for debarment, declared ineligible, or voluntarily excluded from participating in covered transactions by any Federal department or agency, 2 CFR 180.355;

(b) is a corporation that has been convicted of a felony violation under any Federal law within the two-year period preceding this proposal (USDOT Order 4200.6 implementing appropriations act requirements); and

(c) is a corporation with any unpaid Federal tax liability that has been assessed, for which all judicial and administrative remedies have been exhausted, or have lapsed, and that is not being paid in a timely manner pursuant to an agreement with the authority responsible for collecting the tax liability. (USDOT Order 4200.6 implementing appropriations act requirements)

2. Where the prospective lower tier participant is unable to certify to any of the statements in this certification, such prospective participant should attach an explanation to this proposal.

\*\*\*\*\*

**XI. CERTIFICATION REGARDING USE OF CONTRACT FUNDS FOR LOBBYING**

This provision is applicable to all Federal-aid construction contracts and to all related subcontracts which exceed \$100,000. 49 CFR Part 20, App. A.

1. The prospective participant certifies, by signing and submitting this bid or proposal, to the best of his or her knowledge and belief, that:

a. No Federal appropriated funds have been paid or will be paid, by or on behalf of the undersigned, to any person for influencing or attempting to influence an officer or employee of any Federal agency, a Member of Congress, an officer or employee of Congress, or an employee of a Member of Congress in connection with the awarding of any Federal contract, the making of any Federal grant, the making of any Federal loan, the entering into of any cooperative agreement, and the extension, continuation, renewal, amendment, or modification of any Federal contract, grant, loan, or cooperative agreement.

b. If any funds other than Federal appropriated funds have been paid or will be paid to any person for influencing or attempting to influence an officer or employee of any Federal agency, a Member of Congress, an officer or employee of Congress, or an employee of a Member of Congress in connection with this Federal contract, grant, loan, or cooperative agreement, the undersigned shall complete and submit Standard Form-LLL, "Disclosure Form to Report Lobbying," in accordance with its instructions.

2. This certification is a material representation of fact upon which reliance was placed when this transaction was made or entered into. Submission of this certification is a prerequisite for making or entering into this transaction imposed by 31 U.S.C. 1352. Any person who fails to file the required certification shall be subject to a civil penalty of not less than \$10,000 and not more than \$100,000 for each such failure.

3. The prospective participant also agrees by submitting its bid or proposal that the participant shall require that the language of this certification be included in all lower tier

subcontracts, which exceed \$100,000 and that all such recipients shall certify and disclose accordingly.

## **XII. USE OF UNITED STATES-FLAG VESSELS:**

This provision is applicable to all Federal-aid construction contracts, design-build contracts, subcontracts, lower-tier subcontracts, purchase orders, lease agreements, or any other covered transaction. 46 CFR Part 381.

This requirement applies to material or equipment that is acquired for a specific Federal-aid highway project. 46 CFR 381.7. It is not applicable to goods or materials that come into inventories independent of an FHWA funded-contract.

When oceanic shipments (or shipments across the Great Lakes) are necessary for materials or equipment acquired for a specific Federal-aid construction project, the bidder, proposer, contractor, subcontractor, or vendor agrees:

1. To utilize privately owned United States-flag commercial vessels to ship at least 50 percent of the gross tonnage (computed separately for dry bulk carriers, dry cargo liners, and tankers) involved, whenever shipping any equipment, material, or commodities pursuant to this contract, to the extent such vessels are available at fair and reasonable rates for United States-flag commercial vessels. 46 CFR 381.7.
2. To furnish within 20 days following the date of loading for shipments originating within the United States or within 30 working days following the date of loading for shipments originating outside the United States, a legible copy of a rated, 'on-board' commercial ocean bill-of-lading in English for each shipment of cargo described in paragraph (b)(1) of this section to both the Contracting Officer (through the prime contractor in the case of subcontractor bills-of-lading) and to the Office of Cargo and Commercial Sealift (MAR-620), Maritime Administration, Washington, DC 20590. (MARAD requires copies of the ocean carrier's (master) bills of lading, certified onboard, dated, with rates and charges. These bills of lading may contain business sensitive information and therefore may be submitted directly to MARAD by the Ocean Transportation Intermediary on behalf of the contractor). 46 CFR 381.7.

**ATTACHMENT A - EMPLOYMENT AND MATERIALS  
PREFERENCE FOR APPALACHIAN DEVELOPMENT  
HIGHWAY SYSTEM OR APPALACHIAN LOCAL ACCESS  
ROAD CONTRACTS (23 CFR 633, Subpart B, Appendix B)**

This provision is applicable to all Federal-aid projects funded under the Appalachian Regional Development Act of 1965.

1. During the performance of this contract, the contractor undertaking to do work which is, or reasonably may be, done as on-site work, shall give preference to qualified persons who regularly reside in the labor area as designated by the DOL wherein the contract work is situated, or the subregion, or the Appalachian counties of the State wherein the contract work is situated, except:

a. To the extent that qualified persons regularly residing in the area are not available.

b. For the reasonable needs of the contractor to employ supervisory or specially experienced personnel necessary to assure an efficient execution of the contract work.

c. For the obligation of the contractor to offer employment to present or former employees as the result of a lawful collective bargaining contract, provided that the number of nonresident persons employed under this subparagraph (1c) shall not exceed 20 percent of the total number of employees employed by the contractor on the contract work, except as provided in subparagraph (4) below.

2. The contractor shall place a job order with the State Employment Service indicating (a) the classifications of the laborers, mechanics and other employees required to perform the contract work, (b) the number of employees required in each classification, (c) the date on which the participant estimates such employees will be required, and (d) any other pertinent information required by the State Employment Service to complete the job order form. The job order may be placed with the State Employment Service in writing or by telephone. If during the course of the contract work, the information submitted by the contractor in the original job order is substantially modified, the participant shall promptly notify the State Employment Service.

3. The contractor shall give full consideration to all qualified job applicants referred to him by the State Employment Service. The contractor is not required to grant employment to any job applicants who, in his opinion, are not qualified to perform the classification of work required.

4. If, within one week following the placing of a job order by the contractor with the State Employment Service, the State Employment Service is unable to refer any qualified job applicants to the contractor, or less than the number requested, the State Employment Service will forward a certificate to the contractor indicating the unavailability of applicants. Such certificate shall be made a part of the contractor's permanent project records. Upon receipt of this certificate, the contractor may employ persons who do not normally reside in the labor area to fill positions covered by the certificate, notwithstanding the provisions of subparagraph (1c) above.

5. The provisions of 23 CFR 633.207(e) allow the contracting agency to provide a contractual preference for the use of mineral resource materials native to the Appalachian region.

6. The contractor shall include the provisions of Sections 1 through 4 of this Attachment A in every subcontract for work which is, or reasonably may be, done as on-site work.

**KENTUCKY TRANSPORTATION CABINET  
DEPARTMENT OF HIGHWAYS**

**EMPLOYMENT REQUIREMENTS  
RELATING TO  
NONDISCRIMINATION OF EMPLOYEES  
(APPLICABLE TO FEDERAL-AID SYSTEM CONTRACTS)**

**AN ACT OF THE KENTUCKY GENERAL ASSEMBLY  
TO PREVENT DISCRIMINATION IN EMPLOYMENT**

**KRS CHAPTER 344  
EFFECTIVE JUNE 16, 1972**

The contract on this project, in accordance with KRS Chapter 344, provides that during the performance of this contract, the contractor agrees as follows:

1. The contractor shall not fail or refuse to hire, or shall not discharge any individual, or otherwise discriminate against an individual with respect to his compensation, terms, conditions, or privileges of employment, because of such individual's race, color, religion, national origin, sex, disability or age (forty and above); or limit, segregate, or classify his employees in any way which would deprive or tend to deprive an individual of employment opportunities or otherwise adversely affect his status as an employee, because of such individual's race, color, religion, national origin, sex, disability or age forty (40) and over. The contractor agrees to post in conspicuous places, available to employees and applicants for employment, notices to be provided setting forth the provisions of this nondiscrimination clause.

2. The contractor shall not print or publish or cause to be printed or published a notice or advertisement relating to employment by such an employer or membership in or any classification or referral for employment by the employment agency, indicating any preference, limitation, specification, or discrimination, based on race, color, religion, national origin, sex, or age forty (40) and over, or because the person is a qualified individual with a disability, except that such a notice or advertisement may indicate a preference, limitation, or specification based on religion, national origin, sex, or age forty (40) and over, or because the person is a qualified individual with a disability, when religion, national origin, sex, or age forty (40) and over, or because the person is a qualified individual with a disability, is a bona fide occupational qualification for employment.

3. If the contractor is in control of apprenticeship or other training or retraining, including on-the-job training programs, he shall not discriminate against an individual because of his race, color, religion, national origin, sex, disability or age forty (40) and over, in admission to, or employment in any program established to provide apprenticeship or other training.

4. The contractor will send to each labor union or representative of workers with which he has a collective bargaining agreement or other contract or understanding, a notice to be provided advising the said labor union or workers' representative of the contractor's commitments under this section, and shall post copies of the notice in conspicuous places available to employees and applicants for employment. The contractor will take such action with respect to any subcontract or purchase order as the administering agency may direct as a means of enforcing such provisions, including sanctions for non-compliance.

Revised: January 25, 2017



### Standard Title VI/Non-Discrimination Assurances

During the performance of this contract, the contractor, for itself, its assignees, and successors in interest (hereinafter referred to as the "contractor") agrees as follows:

1. **Compliance with Regulations:** The contractor (hereinafter includes consultants) will comply with the Acts and the Regulations relative to Non-discrimination in Federally-assisted programs of the U.S. Department of Transportation, **Federal Highway Administration**, as they may be amended from time to time, which are herein incorporated by reference and made a part of this contract.
2. **Non-discrimination:** The contractor, with regard to the work performed by it during the contract, will not discriminate on the grounds of race, color, or national origin in the selection and retention of subcontractors, including procurements of materials and leases of equipment. The contractor will not participate directly or indirectly in the discrimination prohibited by the Acts and the Regulations, including employment practices when the contract covers any activity, project, or program set forth in Appendix B of 49 CFR Part 21.
3. **Solicitations for Subcontracts, Including Procurements of Materials and Equipment:** In all solicitations, either by competitive bidding, or negotiation made by the contractor for work to be performed under a subcontract, including procurements of materials, or leases of equipment, each potential subcontractor or supplier will be notified by the contractor of the contractor's obligations under this contract and the Acts and the Regulations relative to Non-discrimination on the grounds of race, color, or national origin.
4. **Information and Reports:** The contractor will provide all information and reports required by the Acts, the Regulations, and directives issued pursuant thereto and will permit access to its books, records, accounts, other sources of information, and its facilities as may be determined by the Recipient or the **Federal Highway Administration** to be pertinent to ascertain compliance with such Acts, Regulations, and instructions. Where any information required of a contractor is in the exclusive possession of another who fails or refuses to furnish the information, the contractor will so certify to the Recipient or the **Federal Highway Administration**, as appropriate, and will set forth what efforts it has made to obtain the information.
5. **Sanctions for Noncompliance:** In the event of a contractor's noncompliance with the Non-discrimination provisions of this contract, the Recipient will impose such contract sanctions as it or the **Federal Highway Administration** may determine to be appropriate, including, but not limited to:
  - a. withholding payments to the contractor under the contract until the contractor complies; and/or
  - b. cancelling, terminating, or suspending a contract, in whole or in part.
6. **Incorporation of Provisions:** The contractor will include the provisions of paragraphs one through six in every subcontract, including procurements of materials and leases of equipment, unless exempt by the Acts, the Regulations and directives issued pursuant thereto. The contractor will take action with respect to any subcontract or procurement as the Recipient or the **Federal Highway Administration** may direct as a means of enforcing such provisions including sanctions for noncompliance. Provided, that if the contractor becomes involved in, or is threatened with litigation by a subcontractor, or supplier because of such direction, the contractor may request the Recipient to enter into any litigation to protect the interests of the Recipient. In addition, the contractor may request the United States to enter into the litigation to protect the interests of the United States.

### Standard Title VI/Non-Discrimination Statutes and Authorities

During the performance of this contract, the contractor, for itself, its assignees, and successors in interest (hereinafter referred to as the “contractor”) agrees to comply with the following non-discrimination statutes and authorities; including but not limited to:

- Title VI of the Civil Rights Act of 1964 (42 U.S.C. § 2000d *et seq.*, 78 stat. 252), (prohibits discrimination on the basis of race, color, national origin); and 49 CFR Part 21;
- The Uniform Relocation Assistance and Real Property Acquisition Policies Act of 1970, (42 U.S.C. § 4601), (prohibits unfair treatment of persons displaced or whose property has been acquired because of Federal or Federal-aid programs and projects);
- Federal-Aid Highway Act of 1973, (23 U.S.C. § 324 *et seq.*), (prohibits discrimination on the basis of sex);
- Section 504 of the Rehabilitation Act of 1973, (29 U.S.C. § 794 *et seq.*), as amended, (prohibits discrimination on the basis of disability); and 49 CFR Part 27;
- The Age Discrimination Act of 1975, as amended, (42 U.S.C. § 6101 *et seq.*), (prohibits discrimination on the basis of age);
- Airport and Airway Improvement Act of 1982, (49 USC § 471, Section 47123), as amended, (prohibits discrimination based on race, creed, color, national origin, or sex);
- The Civil Rights Restoration Act of 1987, (PL 100-209), (Broadened the scope, coverage and applicability of Title VI of the Civil Rights Act of 1964, The Age Discrimination Act of 1975 and Section 504 of the Rehabilitation Act of 1973, by expanding the definition of the terms “programs or activities” to include all of the programs or activities of the Federal-aid recipients, sub-recipients and contractors, whether such programs or activities are Federally funded or not);
- Titles II and III of the Americans with Disabilities Act, which prohibit discrimination on the basis of disability in the operation of public entities, public and private transportation systems, places of public accommodation, and certain testing entities (42 U.S.C. §§ 12131 -- 12189) as implemented by Department of Transportation regulations at 49 C.F.R. parts 37 and 38;
- The Federal Aviation Administration’s Non-discrimination statute (49 U.S.C. § 47123) (prohibits discrimination on the basis of race, color, national origin, and sex);
- Executive Order 12898, Federal Actions to Address Environmental Justice in Minority Populations and Low-Income Populations, which ensures non-discrimination against minority populations by discouraging programs, policies, and activities with disproportionately high and adverse human health or environmental effects on minority and low-income populations;
- Executive Order 13166, Improving Access to Services for Persons with Limited English Proficiency, and resulting agency guidance, national origin discrimination includes discrimination because of limited English proficiency (LEP). To ensure compliance with Title VI, you must take reasonable steps to ensure that LEP persons have meaningful access to your programs (70 Fed. Reg. at 74087 to 74100);
- Title IX of the Education Amendments of 1972, as amended, which prohibits you from discriminating because of sex in education programs or activities (20 U.S.C. 1681 *et seq.*)

## EXECUTIVE BRANCH CODE OF ETHICS

In the 1992 regular legislative session, the General Assembly passed and Governor Brereton Jones signed Senate Bill 63 (codified as KRS 11A), the Executive Branch Code of Ethics, which states, in part:

KRS 11A.040 (7) provides:

No present or former public servant shall, within six (6) months following termination of his office or employment, accept employment, compensation, or other economic benefit from any person or business that contracts or does business with, or is regulated by, the state in matters in which he was directly involved during the last thirty-six (36) months of his tenure. This provision shall not prohibit an individual from returning to the same business, firm, occupation, or profession in which he was involved prior to taking office or beginning his term of employment, or for which he received, prior to his state employment, a professional degree or license, provided that, for a period of six (6) months, he personally refrains from working on any matter in which he was directly involved during the last thirty-six (36) months of his tenure in state government. This subsection shall not prohibit the performance of ministerial functions, including but not limited to filing tax returns, filing applications for permits or licenses, or filing incorporation papers, nor shall it prohibit the former officer or public servant from receiving public funds disbursed through entitlement programs.

KRS 11A.040 (9) states:

A former public servant shall not represent a person or business before a state agency in a matter in which the former public servant was directly involved during the last thirty-six (36) months of his tenure, for a period of one (1) year after the latter of:

- a) The date of leaving office or termination of employment; or
- b) The date the term of office expires to which the public servant was elected.

This law is intended to promote public confidence in the integrity of state government and to declare as public policy the idea that state employees should view their work as a public trust and not as a way to obtain private benefits.

If you have worked for the executive branch of state government within the past six months, you may be subject to the law's prohibitions. The law's applicability may be different if you hold elected office or are contemplating representation of another before a state agency.

Also, if you are affiliated with a firm which does business with the state and which employs former state executive-branch employees, you should be aware that the law may apply to them.

In case of doubt, the law permits you to request an advisory opinion from the Executive Branch Ethics Commission, 1025 Capital Center Drive, Suite 104, Frankfort, Kentucky 40601; telephone (502) 564-7954.

Revised: May 23, 2022

"General Decision Number: KY20220038 06/24/2022

Superseded General Decision Number: KY20210038

State: Kentucky

Construction Type: Highway

Counties: Anderson, Bath, Bourbon, Boyd, Boyle, Bracken, Breckinridge, Bullitt, Carroll, Carter, Clark, Elliott, Fayette, Fleming, Franklin, Gallatin, Grant, Grayson, Greenup, Hardin, Harrison, Henry, Jefferson, Jessamine, Larue, Lewis, Madison, Marion, Mason, Meade, Mercer, Montgomery, Nelson, Nicholas, Oldham, Owen, Robertson, Rowan, Scott, Shelby, Spencer, Trimble, Washington and Woodford Counties in Kentucky.

HIGHWAY CONSTRUCTION PROJECTS (excluding tunnels, building structures in rest area projects & railroad construction; bascule, suspension & spandrel arch bridges designed for commercial navigation, bridges involving marine construction; and other major bridges).

Note: Contracts subject to the Davis-Bacon Act are generally required to pay at least the applicable minimum wage rate required under Executive Order 14026 or Executive Order 13658. Please note that these Executive Orders apply to covered contracts entered into by the federal government that are subject to the Davis-Bacon Act itself, but do not apply to contracts subject only to the Davis-Bacon Related Acts, including those set forth at 29 CFR 5.1(a)(2)-(60).

<p>If the contract is entered into on or after January 30, 2022, or the contract is renewed or extended (e.g., an option is exercised) on or after January 30, 2022:</p>	<ul style="list-style-type: none"> <li>. Executive Order 14026 generally applies to the contract.</li> <li>. The contractor must pay all covered workers at least \$15.00 per hour (or the applicable wage rate listed on this wage determination, if it is higher) for all hours spent performing on the contract in 2022.</li> </ul>
<p>If the contract was awarded on or between January 1, 2015 and January 29, 2022, and the contract is not renewed or extended on or after January 30, 2022:</p>	<ul style="list-style-type: none"> <li>. Executive Order 13658 generally applies to the contract.</li> <li>. The contractor must pay all covered workers at least \$11.25 per hour (or the applicable wage rate listed on this wage determination, if it is higher) for all hours spent performing on that contract in 2022.</li> </ul>

The applicable Executive Order minimum wage rate will be adjusted annually. If this contract is covered by one of the Executive Orders and a classification considered necessary for performance of work on the contract does not appear on this wage determination, the contractor must still submit a

conformance request.

Additional information on contractor requirements and worker protections under the Executive Orders is available at <https://www.dol.gov/agencies/whd/government-contracts>.

Modification Number	Publication Date
0	01/07/2022
1	02/11/2022
2	02/18/2022
3	02/25/2022
4	05/06/2022
5	06/10/2022
6	06/24/2022

BRIN0004-003 06/01/2021

BRECKENRIDGE COUNTY

	Rates	Fringes
BRICKLAYER.....	\$ 29.57	14.75
-----		
BRKY0001-005 06/01/2021		

BULLITT, CARROLL, GRAYSON, HARDIN, HENRY, JEFFERSON, LARUE, MARION, MEADE, NELSON, OLDHAM, SHELBY, SPENCER, & TRIMBLE COUNTIES:

	Rates	Fringes
BRICKLAYER.....	\$ 29.57	15.10
-----		
BRKY0002-006 06/01/2021		

BRACKEN, GALLATIN, GRANT, MASON & ROBERTSON COUNTIES:

	Rates	Fringes
BRICKLAYER.....	\$ 30.87	15.87
-----		
BRKY0007-004 06/01/2021		

BOYD, CARTER, ELLIOT, FLEMING, GREENUP, LEWIS & ROWAN COUNTIES:

	Rates	Fringes
BRICKLAYER.....	\$ 36.19	19.54
-----		
BRKY0017-004 06/01/2021		

ANDERSON, BATH, BOURBON, BOYLE, CLARK, FAYETTE, FRANKLIN, HARRISON, JESSAMINE, MADISON, MERCER, MONTGOMERY, NICHOLAS, OWEN, SCOTT, WASHINGTON & WOODFORD COUNTIES:

	Rates	Fringes
BRICKLAYER.....	\$ 30.87	15.87
-----		
CARP0064-001 04/01/2022		

Rates Fringes

CARPENTER.....	\$ 30.84	22.19
Diver.....	\$ 46.64	22.19
PILEDRIVERMAN.....	\$ 31.09	22.19

-----  
 ELEC0212-008 06/07/2021

BRACKEN, GALLATIN and GRANT COUNTIES

	Rates	Fringes
ELECTRICIAN.....	\$ 32.32	19.85

-----  
 ELEC0212-014 11/25/2019

BRACKEN, GALLATIN & GRANT COUNTIES:

	Rates	Fringes
Sound & Communication Technician.....	\$ 24.35	12.09

-----  
 ELEC0317-012 06/01/2021

BOYD, CARTER, ELLIOT & ROWAN COUNTIES:

	Rates	Fringes
ELECTRICIAN (Wiremen).....	\$ 35.10	27.47

-----  
 ELEC0369-007 05/31/2021

ANDERSON, BATH, BOURBON, BOYLE, BRECKINRIDGE, BULLITT, CARROLL,  
 CLARK, FAYETTE, FRAONKLIN, GRAYSON, HARDIN, HARRISON, HENRY,  
 JEFFERSON, JESSAMINE, LARUE, MADISON, MARION, MEADE, MERCER,  
 MONTGOMERY, NELSON, NICHOLAS, OLDHAM, OWEN, ROBERTSON, SCOTT,  
 SHELBY, SPENCER, TRIMBLE, WASHINGTON, & WOODFORD COUNTIES:

	Rates	Fringes
ELECTRICIAN.....	\$ 33.85	18.72

-----  
 ELEC0575-002 11/29/2021

FLEMING, GREENUP, LEWIS & MASON COUNTIES:

	Rates	Fringes
ELECTRICIAN.....	\$ 35.00	19.76

-----  
 ENGI0181-018 07/01/2021

	Rates	Fringes
POWER EQUIPMENT OPERATOR		
GROUP 1.....	\$ 34.80	17.85
GROUP 2.....	\$ 31.94	17.85
GROUP 3.....	\$ 32.39	17.85
GROUP 4.....	\$ 31.62	17.85

OPERATING ENGINEER CLASSIFICATIONS

GROUP 1 - A-Frame Winch Truck; Auto Patrol; Backfiller;  
 Batcher Plant; Bituminous Paver; Bituminous Transfer

Machine; Boom Cat; Bulldozer; Mechanic; Cableway; Carry-All Scoop; Carry Deck Crane; Central Compressor Plant; Cherry Picker; Clamshell; Concrete Mixer (21 cu. ft. or Over); Concrete Paver; Truck-Mounted Concrete Pump; Core Drill; Crane; Crusher Plant; Derrick; Derrick Boat; Ditching & Trenching Machine; Dragline; Dredge Operator; Dredge Engineer; Elevating Grader & Loaders; Grade-All; Gurries; Heavy Equipment Robotics Operator/Mechanic; High Lift; Hoe-Type Machine; Hoist (Two or More Drums); Hoisting Engine (Two or More Drums); Horizontal Directional Drill Operator; Hydrocrane; Hyster; KeCal Loader; LeTourneau; Locomotive; Mechanic; Mechanically Operated Laser Screed; Mechanic Welder; Mucking Machine; Motor Scraper; Orangepeel Bucket; Overhead Crane; Piledriver; Power Blade; Pumpcrete; Push Dozer; Rock Spreader, attached to equipment; Rotary Drill; Roller (Bituminous); Rough Terrain Crane; Scarifier; Scoopmobile; Shovel; Side Boom; Subgrader; Tailboom; Telescoping Type Forklift; Tow or Push Boat; Tower Crane (French, German & other types); Tractor Shovel; Truck Crane; Tunnel Mining Machines, including Moles, Shields or similar types of Tunnel Mining Equipment

GROUP 2 - Air Compressor (Over 900 cu. ft. per min.); Bituminous Mixer; Boom Type Tamping Machine; Bull Float; Concrete Mixer (Under 21 cu. ft.); Dredge Engineer; Electric Vibrator; Compactor/Self-Propelled Compactor; Elevator (One Drum or Buck Hoist); Elevator (When used to Hoist Building Material); Finish Machine; Firemen & Hoist (One Drum); Flexplane; Forklift (Regardless of Lift Height); Form Grader; Joint Sealing Machine; Outboard Motor Boat; Power Sweeper (Riding Type); Roller (Rock); Ross Carrier; Skid Mounted or Trailer Mounted Concrete Pump; Skid Steer Machine with all Attachments; Switchman or Brakeman; Throttle Valve Person; Tractair & Road Widening Trencher; Tractor (50 H.P. or Over); Truck Crane Oiler; Tugger; Welding Machine; Well Points; & Whirley Oiler

GROUP 3 - All Off Road Material Handling Equipment, including Articulating Dump Trucks; Greaser on Grease Facilities servicing Heavy Equipment

GROUP 4 - Bituminous Distributor; Burlap & Curing Machine; Cement Gun; Concrete Saw; Conveyor; Deckhand Oiler; Grout Pump; Hydraulic Post Driver; Hydro Seeder; Mud Jack; Oiler; Paving Joint Machine; Power Form Handling Equipment; Pump; Roller (Earth); Steerman; Tamping Machine; Tractor (Under 50 H.P.); & Vibrator

CRANES - with booms 150 ft. & Over (Including JIB), and where the length of the boom in combination with the length of the piling leads equals or exceeds 150 ft. - \$1.00 over Group 1 rate

EMPLOYEES ASSIGNED TO WORK BELOW GROUND LEVEL ARE TO BE PAID 10%

ABOVE BASIC WAGE RATE. THIS DOES NOT APPLY TO OPEN CUT WORK.

-----  
IRON0044-009 06/01/2022

BRACKEN, GALLATIN, GRANT, HARRISON, ROBERTSON,  
BOURBON (Northern third, including Townships of Jackson, Millersburg, Ruddled Mills & Shawhan);  
CARROLL (Eastern third, including the Township of Ghent);  
FLEMING (Western part, excluding Townships of Beechburg, Colfax,

Elizaville, Flemingsburg, Flemingsburg Junction, Foxport, Grange City, Hillsboro, Hilltop, Mount Carmel, Muses Mills, Nepton, Pecksridge, Plummers Landing, Plummers Mill, Poplar Plains, Ringos Mills, Tilton & Wallingford);  
 MASON (Western two-thirds, including Townships of Dover, Lewisburg, Mays Lick, Maysville, Minerva, Moranburg, Murphysville, Ripley, Sardis, Shannon, South Ripley & Washington);  
 NICHOLAS (Townships of Barefoot, Barterville, Carlisle, Ellisville, Headquarters, Henryville, Morningglory, Myers & Oakland Mills);  
 OWEN (Townships of Beechwood, Bromley, Fairbanks, Holbrook, Jonesville, Long Ridge, Lusby's Mill, New, New Columbus, New Liberty, Owenton, Poplar Grove, Rockdale, Sanders, Teresita & Wheatley);  
 SCOTT (Northern two-thirds, including Townships of Biddle, Davis, Delaplain, Elmville, Longlick, Muddy Ford, Oxford, Rogers Gap, Sadieville, Skinnersburg & Stonewall)

	Rates	Fringes
IRONWORKER		
Fence Erector.....	\$ 30.28	22.30
Structural.....	\$ 31.87	22.30

-----  
 IRON0070-006 06/01/2022

ANDERSON, BOYLE, BRECKINRIDGE, BULLITT, FAYETTE, FRANKLIN, GRAYSON, HARDIN, HENRY, JEFFERSON, JESSAMINE, LARUE, MADISON, MARION, MEADE, MERCER, NELSON, OLDHAM, SHELBY, SPENCER, TRIMBLE, WASHINGTON & WOODFORD  
 BOURBON (Southern two-thirds, including Townships of Austerlity, Centerville, Clintonville, Elizabeth, Hutchison, Littlerock, North Middletown & Paris);  
 CARROLL (Western two-thirds, including Townships of Carrollton, Easterday, English, Locust, Louis, Prestonville & Worthville);  
 CLARK (Western two-thirds, including Townships of Becknerville, Flanagan, Ford, Pine Grove, Winchester & Wyandotte);  
 OWEN (Eastern eighth, including Townships of Glenmary, Gratz, Monterey, Perry Park & Tacketts Mill);  
 SCOTT (Southern third, including Townships of Georgetown, Great Crossing, Newtown, Stampling Ground & Woodlake);

	Rates	Fringes
IRONWORKER.....	\$ 31.79	24.30

-----  
 \* IRON0769-007 06/01/2022

BATH, BOYD, CARTER, ELLIOTT, GREENUP, LEWIS, MONTGOMERY & ROWAN  
 CLARK (Eastern third, including townships of Bloomingdale, Hunt, Indian Fields, Kiddville, Loglick, Rightangele & Thomson);  
 FLEMING (Townships of Beechburg, Colfax, Elizaville, Flemingsburg, Flemingsburg Junction, Foxport, Grange City, Hillsboro, Hilltop, Mount Carmel, Muses Mills, Nepton, Pecksridge, Plummers Landing, Plummers Mill, Poplar Plains, Ringos Mills, Tilton & Wallingford);  
 MASON (Eastern third, including Townships of Helena, Marshall, Orangeburg, Plumville & Springdale);  
 NICHOLAS (Eastern eighth, including the Township of Moorefield Sprout)



	Rates	Fringes
IRONWORKER		
ZONE 1.....	\$ 33.71	27.69
ZONE 2.....	\$ 34.11	27.69
ZONE 3.....	\$ 35.71	27.69

ZONE 1 - (no base rate increase) Up to 10 mile radius of Union Hall, 1643 Greenup Ave, Ashland, KY.

ZONE 2 - (add \$0.40 per hour to base rate) 10 to 50 mile radius of Union Hall, 1643 Greenup Ave, Ashland, KY.

ZONE 3 - (add \$2.00 per hour to base rate) 50 mile radius & over of Union Hall, 1643 Greenup Ave, Ashland, KY.

-----  
 LAB00189-003 07/01/2021

BATH, BOURBON, BOYD, BOYLE, BRACKEN, CARTER, CLARK, ELLIOTT, FAYETTE, FLEMING, FRANKLIN, GALLATIN, GRANT, GREENUP, HARRISON, JESSAMINE, LEWIS, MADISON, MASON, MERCER, MONTGOMERY, NICHOLAS, OWEN, ROBERTSON, ROWAN, SCOTT, & WOOLFORD COUNTIES

	Rates	Fringes
Laborers:		
GROUP 1.....	\$ 23.51	16.22
GROUP 2.....	\$ 23.76	16.22
GROUP 3.....	\$ 23.81	16.22
GROUP 4.....	\$ 24.41	16.22

LABORERS CLASSIFICATIONS

GROUP 1 - Aging & Curing of Concrete; Asbestos Abatement Worker; Asphalt Plant; Asphalt; Batch Truck Dump; Carpenter Tender; Cement Mason Tender; Cleaning of Machines; Concrete; Demolition; Dredging; Environmental - Nuclear, Radiation, Toxic & Hazardous Waste - Level D; Flagperson; Grade Checker; Hand Digging & Hand Back Filling; Highway Marker Placer; Landscaping, Mesh Handler & Placer; Puddler; Railroad; Rip-rap & Grouter; Right-of-Way; Sign, Guard Rail & Fence Installer; Signal Person; Sound Barrier Installer; Storm & Sanitary Sewer; Swamper; Truck Spotter & Dumper; Wrecking of Concrete Forms; General Cleanup

GROUP 2 - Batter Board Man (Sanitary & Storm Sewer); Brickmason Tender; Mortar Mixer Operator; Scaffold Builder; Burner & Welder; Bushammer; Chain Saw Operator; Concrete Saw Operator; Deckhand Scow Man; Dry Cement Handler; Environmental - Nuclear, Radiation, Toxic & Hazardous Waste - Level C; Forklift Operator for Masonary; Form Setter; Green Concrete Cutting; Hand Operated Grouter & Grinder Machine Operator; Jackhammer; Pavement Breaker; Paving Joint Machine; Pipelayer; Plastic Pipe Fusion; Power Driven Georgia Buggy & Wheel Barrow; Power Post Hole Digger; Precast Manhole Setter; Walk-Behind Tamper; Walk-Behind Trencher; Sand Blaster; Concrete Chipper; Surface Grinder; Vibrator Operator; Wagon Driller

GROUP 3 - Asphalt Luteman & Raker; Gunnite Nozzleman; Gunnite Operator & Mixer; Grout Pump Operator; Side Rail Setter; Rail Paved Ditches; Screw Operator; Tunnel (Free Air); Water Blaster

GROUP 4 - Caisson Worker (Free Air); Cement Finisher;  
Environmental - Nuclear, Radiation, Toxic & Hazardous Waste  
- Levels A & B; Miner & Driller (Free Air); Tunnel Blaster;  
& Tunnel Mucker (Free Air); Directional & Horizontal  
Boring; Air Track Drillers (All Types); Powdermen &  
Blasters; Troxler & Concrete Tester if Laborer is Utilized

-----  
LAB00189-008 07/01/2021

ANDERSON, BULLITT, CARROLL, HARDIN, HENRY, JEFFERSON, LARUE,  
MARION, MEADE, NELSON, OLDHAM, SHELBY, SPENCER, TRIMBLE &  
WASHINGTON COUNTIES

	Rates	Fringes
Laborers:		
GROUP 1.....	\$ 23.51	16.22
GROUP 2.....	\$ 23.76	16.22
GROUP 3.....	\$ 23.81	16.22
GROUP 4.....	\$ 24.41	16.22

LABORERS CLASSIFICATIONS

GROUP 1 - Aging & Curing of Concrete; Asbestos Abatement  
Worker; Asphalt Plant; Asphalt; Batch Truck Dump; Carpenter  
Tender; Cement Mason Tender; Cleaning of Machines;  
Concrete; Demolition; Dredging; Environmental - Nuclear,  
Radiation, Toxic & Hazardous Waste - Level D; Flagperson;  
Grade Checker; Hand Digging & Hand Back Filling; Highway  
Marker Placer; Landscaping, Mesh Handler & Placer; Puddler;  
Railroad; Rip-rap & Grouter; Right-of-Way; Sign, Guard Rail  
& Fence Installer; Signal Person; Sound Barrier Installer;  
Storm & Sanitary Sewer; Swamper; Truck Spotter & Dumper;  
Wrecking of Concrete Forms; General Cleanup

GROUP 2 - Batter Board Man (Sanitary & Storm Sewer);  
Brickmason Tender; Mortar Mixer Operator; Scaffold Builder;  
Burner & Welder; Bushhammer; Chain Saw Operator; Concrete  
Saw Operator; Deckhand Scow Man; Dry Cement Handler;  
Environmental - Nuclear, Radiation, Toxic & Hazardous Waste  
- Level C; Forklift Operator for Masonary; Form Setter;  
Green Concrete Cutting; Hand Operated Grouter & Grinder  
Machine Operator; Jackhammer; Pavement Breaker; Paving  
Joint Machine; Pipelayer; Plastic Pipe Fusion; Power Driven  
Georgia Buggy & Wheel Barrow; Power Post Hole Digger;  
Precast Manhole Setter; Walk-Behind Tamper; Walk-Behind  
Trencher; Sand Blaster; Concrete Chipper; Surface Grinder;  
Vibrator Operator; Wagon Driller

GROUP 3 - Asphalt Luteman & Raker; Gunnite Nozzleman;  
Gunnite Operator & Mixer; Grout Pump Operator; Side Rail  
Setter; Rail Paved Ditches; Screw Operator; Tunnel (Free  
Air); Water Blaster

GROUP 4 - Caisson Worker (Free Air); Cement Finisher;  
Environmental - Nuclear, Radiation, Toxic & Hazardous Waste  
- Levels A & B; Miner & Driller (Free Air); Tunnel Blaster;  
& Tunnel Mucker (Free Air); Directional & Horizontal  
Boring; Air Track Drillers (All Types); Powdermen &  
Blasters; Troxler & Concrete Tester if Laborer is Utilized

LAB00189-009 07/01/2021

BRECKINRIDGE & GRAYSON COUNTIES

	Rates	Fringes
Laborers:		
GROUP 1.....	\$ 23.51	16.22
GROUP 2.....	\$ 23.76	16.22
GROUP 3.....	\$ 23.81	16.22
GROUP 4.....	\$ 24.41	16.22

LABORERS CLASSIFICATIONS

GROUP 1 - Aging & Curing of Concrete; Asbestos Abatement Worker; Asphalt Plant; Asphalt; Batch Truck Dump; Carpenter Tender; Cement Mason Tender; Cleaning of Machines; Concrete; Demolition; Dredging; Environmental - Nuclear, Radiation, Toxic & Hazardous Waste - Level D; Flagperson; Grade Checker; Hand Digging & Hand Back Filling; Highway Marker Placer; Landscaping, Mesh Handler & Placer; Puddler; Railroad; Rip-rap & Grouter; Right-of-Way; Sign, Guard Rail & Fence Installer; Signal Person; Sound Barrier Installer; Storm & Sanitary Sewer; Swamper; Truck Spotter & Dumper; Wrecking of Concrete Forms; General Cleanup

GROUP 2 - Batter Board Man (Sanitary & Storm Sewer); Brickmason Tender; Mortar Mixer Operator; Scaffold Builder; Burner & Welder; Bushhammer; Chain Saw Operator; Concrete Saw Operator; Deckhand Scow Man; Dry Cement Handler; Environmental - Nuclear, Radiation, Toxic & Hazardous Waste - Level C; Forklift Operator for Masonary; Form Setter; Green Concrete Cutting; Hand Operated Grouter & Grinder Machine Operator; Jackhammer; Pavement Breaker; Paving Joint Machine; Pipelayer; Plastic Pipe Fusion; Power Driven Georgia Buggy & Wheel Barrow; Power Post Hole Digger; Precast Manhole Setter; Walk-Behind Tamper; Walk-Behind Trencher; Sand Blaster; Concrete Chipper; Surface Grinder; Vibrator Operator; Wagon Driller

GROUP 3 - Asphalt Luteman & Raker; Gunnite Nozzleman; Gunnite Operator & Mixer; Grout Pump Operator; Side Rail Setter; Rail Paved Ditches; Screw Operator; Tunnel (Free Air); Water Blaster

GROUP 4 - Caisson Worker (Free Air); Cement Finisher; Environmental - Nuclear, Radiation, Toxic & Hazardous Waste - Levels A & B; Miner & Driller (Free Air); Tunnel Blaster; & Tunnel Mucker (Free Air); Directional & Horizontal Boring; Air Track Drillers (All Types); Powdermen & Blasters; Troxler & Concrete Tester if Laborer is Utilized

-----  
 PAIN0012-005 06/11/2005

BATH, BOURBON, BOYLE, CLARK, FAYETTE, FLEMING, FRANKLIN, HARRISON, JESSAMINE, MADISON, MERCER, MONTGOMERY, NICHOLAS, ROBERTSON, SCOTT & WOODFORD COUNTIES:

	Rates	Fringes
PAINTER		
Bridge/Equipment Tender and/or Containment Builder..	\$ 18.90	5.90

Brush & Roller.....	\$ 21.30	5.90
Elevated Tanks; Steeplejack Work; Bridge & Lead Abatement.....	\$ 22.30	5.90
Sandblasting & Waterblasting.....	\$ 22.05	5.90
Spray.....	\$ 21.80	5.90

-----  
PAIN0012-017 05/01/2015

BRACKEN, GALLATIN, GRANT, MASON & OWEN COUNTIES:

	Rates	Fringes
PAINTER (Heavy & Highway Bridges - Guardrails - Lightpoles - Striping)		
Bridge Equipment Tender and Containment Builder.....	\$ 20.73	9.06
Brush & Roller.....	\$ 23.39	9.06
Elevated Tanks; Steeplejack Work; Bridge & Lead Abatement.....	\$ 24.39	9.06
Sandblasting & Water Blasting.....	\$ 24.14	9.06
Spray.....	\$ 23.89	9.06

-----  
PAIN0118-004 06/01/2018

ANDERSON, BRECKINRIDGE, BULLITT, CARROLL, GRAYSON, HARDIN,  
HENRY, JEFFERSON, LARUE, MARION, MEADE, NELSON, OLDHAM, SHELBY,  
SPENCER, TRIMBLE & WASHINGTON COUNTIES:

	Rates	Fringes
PAINTER		
Brush & Roller.....	\$ 22.00	12.52
Spray, Sandblast, Power Tools, Waterblast & Steam Cleaning.....	\$ 23.00	12.52

-----  
PAIN1072-003 12/01/2021

BOYD, CARTER, ELLIOTT, GREENUP, LEWIS and ROWAN COUNTIES

	Rates	Fringes
Painters:		
Bridges; Locks; Dams; Tension Towers & Energized Substations.....	\$ 35.06	21.15
Power Generating Facilities.....	\$ 31.82	21.15

-----  
PLUM0248-003 06/01/2022

BOYD, CARTER, ELLIOTT, GREENUP, LEWIS & ROWAN COUNTIES:

	Rates	Fringes
Plumber and Steamfitter.....	\$ 38.50	22.40

-----  
PLUM0392-007 06/01/2018

BRACKEN, CARROLL (Eastern Half), GALLATIN, GRANT, MASON, OWEN &

ROBERTSON COUNTIES:

	Rates	Fringes
Plumbers and Pipefitters.....	\$ 32.01	19.67
-----		
PLUM0502-003 08/01/2021		

BRECKINRIDGE, BULLITT, CARROLL (Western Half), FRANKLIN  
 (Western three-fourths), GRAYSON, HARDIN, HENRY, JEFFERSON,  
 LARUE, MARION, MEADE, NELSON, OLDHAM, SHELBY, SPENCER, TRIMBLE &  
 WASHINGTON COUNTIES

	Rates	Fringes
PLUMBER.....	\$ 38.07	20.78
-----		
SUKY2010-160 10/08/2001		

	Rates	Fringes
Truck drivers:		
GROUP 1.....	\$ 16.57	7.34
GROUP 2.....	\$ 16.68	7.34
GROUP 3.....	\$ 16.86	7.34
GROUP 4.....	\$ 16.96	7.34

TRUCK DRIVER CLASSIFICATIONS

GROUP 1 - Mobile Batch Truck Tender

GROUP 2 - Greaser; Tire Changer; & Mechanic Tender

GROUP 3 - Single Axle Dump; Flatbed; Semi-trailer or Pole  
 Trailer when used to pull building materials and equipment;  
 Tandem Axle Dump; Distributor; Mixer; & Truck Mechanic

GROUP 4 - Euclid & Other Heavy Earthmoving Equipment &  
 Lowboy; Articulator Cat; 5-Axle Vehicle; Winch & A-Frame  
 when used in transporting materials; Ross Carrier; Forklift  
 when used to transport building materials; & Pavement  
 Breaker

-----  
 WELDERS - Receive rate prescribed for craft performing  
 operation to which welding is incidental.

=====  
 Note: Executive Order (EO) 13706, Establishing Paid Sick Leave  
 for Federal Contractors applies to all contracts subject to the  
 Davis-Bacon Act for which the contract is awarded (and any  
 solicitation was issued) on or after January 1, 2017. If this  
 contract is covered by the EO, the contractor must provide  
 employees with 1 hour of paid sick leave for every 30 hours  
 they work, up to 56 hours of paid sick leave each year.  
 Employees must be permitted to use paid sick leave for their  
 own illness, injury or other health-related needs, including  
 preventive care; to assist a family member (or person who is  
 like family to the employee) who is ill, injured, or has other  
 health-related needs, including preventive care; or for reasons  
 resulting from, or to assist a family member (or person who is

like family to the employee) who is a victim of, domestic violence, sexual assault, or stalking. Additional information on contractor requirements and worker protections under the EO is available at <https://www.dol.gov/agencies/whd/government-contracts>.

Unlisted classifications needed for work not included within the scope of the classifications listed may be added after award only as provided in the labor standards contract clauses (29CFR 5.5 (a) (1) (ii)).

-----

The body of each wage determination lists the classification and wage rates that have been found to be prevailing for the cited type(s) of construction in the area covered by the wage determination. The classifications are listed in alphabetical order of "identifiers" that indicate whether the particular rate is a union rate (current union negotiated rate for local), a survey rate (weighted average rate) or a union average rate (weighted union average rate).

#### Union Rate Identifiers

A four letter classification abbreviation identifier enclosed in dotted lines beginning with characters other than "SU" or "UAVG" denotes that the union classification and rate were prevailing for that classification in the survey. Example: PLUM0198-005 07/01/2014. PLUM is an abbreviation identifier of the union which prevailed in the survey for this classification, which in this example would be Plumbers. 0198 indicates the local union number or district council number where applicable, i.e., Plumbers Local 0198. The next number, 005 in the example, is an internal number used in processing the wage determination. 07/01/2014 is the effective date of the most current negotiated rate, which in this example is July 1, 2014.

Union prevailing wage rates are updated to reflect all rate changes in the collective bargaining agreement (CBA) governing this classification and rate.

#### Survey Rate Identifiers

Classifications listed under the "SU" identifier indicate that no one rate prevailed for this classification in the survey and the published rate is derived by computing a weighted average rate based on all the rates reported in the survey for that classification. As this weighted average rate includes all rates reported in the survey, it may include both union and non-union rates. Example: SULA2012-007 5/13/2014. SU indicates the rates are survey rates based on a weighted average calculation of rates and are not majority rates. LA indicates the State of Louisiana. 2012 is the year of survey on which these classifications and rates are based. The next number, 007 in the example, is an internal number used in producing the wage determination. 5/13/2014 indicates the survey completion date for the classifications and rates under that identifier.

Survey wage rates are not updated and remain in effect until a new survey is conducted.

#### Union Average Rate Identifiers

Classification(s) listed under the UAVG identifier indicate that no single majority rate prevailed for those classifications; however, 100% of the data reported for the classifications was union data. EXAMPLE: UAVG-OH-0010 08/29/2014. UAVG indicates that the rate is a weighted union average rate. OH indicates the state. The next number, 0010 in the example, is an internal number used in producing the wage determination. 08/29/2014 indicates the survey completion date for the classifications and rates under that identifier.

A UAVG rate will be updated once a year, usually in January of each year, to reflect a weighted average of the current negotiated/CBA rate of the union locals from which the rate is based.

-----  
WAGE DETERMINATION APPEALS PROCESS

1.) Has there been an initial decision in the matter? This can be:

- \* an existing published wage determination
- \* a survey underlying a wage determination
- \* a Wage and Hour Division letter setting forth a position on a wage determination matter
- \* a conformance (additional classification and rate) ruling

On survey related matters, initial contact, including requests for summaries of surveys, should be with the Wage and Hour National Office because National Office has responsibility for the Davis-Bacon survey program. If the response from this initial contact is not satisfactory, then the process described in 2.) and 3.) should be followed.

With regard to any other matter not yet ripe for the formal process described here, initial contact should be with the Branch of Construction Wage Determinations. Write to:

Branch of Construction Wage Determinations  
Wage and Hour Division  
U.S. Department of Labor  
200 Constitution Avenue, N.W.  
Washington, DC 20210

2.) If the answer to the question in 1.) is yes, then an interested party (those affected by the action) can request review and reconsideration from the Wage and Hour Administrator (See 29 CFR Part 1.8 and 29 CFR Part 7). Write to:

Wage and Hour Administrator  
U.S. Department of Labor  
200 Constitution Avenue, N.W.  
Washington, DC 20210

The request should be accompanied by a full statement of the interested party's position and by any information (wage payment data, project description, area practice material, etc.) that the requestor considers relevant to the issue.

3.) If the decision of the Administrator is not favorable, an interested party may appeal directly to the Administrative

Review Board (formerly the Wage Appeals Board). Write to:

Administrative Review Board  
U.S. Department of Labor  
200 Constitution Avenue, N.W.  
Washington, DC 20210

4.) All decisions by the Administrative Review Board are final.

=====

END OF GENERAL DECISIO"



Fringe benefit amounts are applicable for all hours worked except when otherwise noted.

No laborer, workman or mechanic shall be paid at a rate less than that of a Journeyman except those classified as bona fide apprentices.

Apprentices or trainees shall be permitted to work as such subject to Administrative Regulations adopted by the Commissioner of Workplace Standards. Copies of these regulations will be furnished upon request from any interested person.

Before using apprentices on the job the contractor shall present to the Contracting Officer written evidence of registration of such employees in a program of a State apprenticeship and training agency approved and recognized by the U. S. Bureau of Apprenticeship and Training. In the absence of such a State agency, the contractor shall submit evidence of approval and registration by the U. S. Bureau of Apprenticeship and Training.

The contractor shall submit to the Contracting Officer, written evidence of the established apprenticeship-journeyman ratios and wage rates in the project area, which will be the basis for establishing such ratios and rates for the project under the applicable contract provisions.

**TO: EMPLOYERS/EMPLOYEES**

**PREVAILING WAGE SCHEDULE:**

**The wages indicated on this wage schedule are the least permitted to be paid for the occupations indicated. When an employee works in more than one classification, the employer must record the number of hours worked in each classification at the prescribed hourly base rate.**

**OVERTIME:**

**Overtime is to be paid to an employee at a rate not less than one and one-half times the basic rate of pay for all hours worked in excess of forty (40) hours in such workweek. Wage violations or questions should be directed to the designated Engineer or the undersigned.**

Director  
Division of Construction Procurement  
Frankfort, Kentucky 40622  
502-564-3500

# EMPLOYEE RIGHTS UNDER THE FAIR LABOR STANDARDS ACT

THE UNITED STATES DEPARTMENT OF LABOR WAGE AND HOUR DIVISION

## FEDERAL MINIMUM WAGE

# \$7.25 PER HOUR

BEGINNING JULY 24, 2009

**OVERTIME PAY** At least 1½ times your regular rate of pay for all hours worked over 40 in a workweek.

**CHILD LABOR** An employee must be at least **16** years old to work in most non-farm jobs and at least **18** to work in non-farm jobs declared hazardous by the Secretary of Labor.

Youths **14** and **15** years old may work outside school hours in various non-manufacturing, non-mining, non-hazardous jobs under the following conditions:

**No more than**

- **3** hours on a school day or **18** hours in a school week;
- **8** hours on a non-school day or **40** hours in a non-school week.

Also, work may not begin before **7 a.m.** or end after **7 p.m.**, except from June 1 through Labor Day, when evening hours are extended to **9 p.m.** Different rules apply in agricultural employment.

**TIP CREDIT** Employers of “tipped employees” must pay a cash wage of at least \$2.13 per hour if they claim a tip credit against their minimum wage obligation. If an employee’s tips combined with the employer’s cash wage of at least \$2.13 per hour do not equal the minimum hourly wage, the employer must make up the difference. Certain other conditions must also be met.

**ENFORCEMENT** The Department of Labor may recover back wages either administratively or through court action, for the employees that have been underpaid in violation of the law. Violations may result in civil or criminal action.

Employers may be assessed civil money penalties of up to \$1,100 for each willful or repeated violation of the minimum wage or overtime pay provisions of the law and up to \$11,000 for each employee who is the subject of a violation of the Act’s child labor provisions. In addition, a civil money penalty of up to \$50,000 may be assessed for each child labor violation that causes the death or serious injury of any minor employee, and such assessments may be doubled, up to \$100,000, when the violations are determined to be willful or repeated. The law also prohibits discriminating against or discharging workers who file a complaint or participate in any proceeding under the Act.

### ADDITIONAL INFORMATION

- Certain occupations and establishments are exempt from the minimum wage and/or overtime pay provisions.
- Special provisions apply to workers in American Samoa and the Commonwealth of the Northern Mariana Islands.
- Some state laws provide greater employee protections; employers must comply with both.
- The law requires employers to display this poster where employees can readily see it.
- Employees under 20 years of age may be paid \$4.25 per hour during their first 90 consecutive calendar days of employment with an employer.
- Certain full-time students, student learners, apprentices, and workers with disabilities may be paid less than the minimum wage under special certificates issued by the Department of Labor.

For additional information:



# 1-866-4-USWAGE

(1-866-487-9243) TTY: 1-877-889-5627



# WWW.WAGEHOUR.DOL.GOV

**NOTICE OF REQUIREMENT FOR AFFIRMATIVE ACTION  
TO ENSURE EQUAL EMPLOYMENT OPPORTUNITY  
(Executive Order 11246)**

1. The Offeror's or Bidder's attention is called to the "Equal Opportunity Clause" and the "Standard Federal Equal Employment Specifications" set forth herein.
2. The goals and timetables for minority and female participation, expressed in percentage terms for the Contractor's aggregate work force in each trade on all construction work in the covered area, are as follows:

<b>GOALS FOR MINORITY PARTICIPATION IN EACH TRADE</b>	<b>GOALS FOR FEMALE PARTICIPATION IN EACH TRADE</b>
10.8%	6.9%

These goals are applicable to all the Contractor's construction work (whether or not it is Federal or federally-assisted) performed in the covered area. If the contractor performs construction work in a geographical area located outside of the covered area, it shall apply the goals established for such geographical area where the work is actually performed. With regard to this second area, the contractor also is subject to the goals for both its federally involved and non-federally involved construction.

The Contractor's compliance with the Executive Order and the regulations in CFR Part 60-4 shall be based on its implementation of the Equal Opportunity Clause, specific affirmative action obligations required by the specifications set forth in 41 CFR 60-4, 3(a), and its efforts to meet the goals. The hours of minority and female employment and training must be substantially uniform throughout the length of the contract, and in each trade, and the contractor shall make a good faith effort to employ minorities and women evenly on each of its projects. The transfer of minority or female employees or trainees from Contractor to Contractor or from project to project for the sole purpose of meeting the Contractor's goals shall be a violation of the contract, the Executive Order and the regulations in 41 CFR Part 60-4. Compliance with the goals will be measured against the total work hours performed.

3. The Contractor shall provide written notification to the Director of the Office of Federal Contract Compliance Programs within ten (10) working days of award of any construction subcontract in excess of \$10,000.00 at any tier for construction work under the contract resulting from this solicitation. The notification shall list the name, address and telephone number of the subcontractor; employer identification number of the subcontractor; estimated dollar amount of the subcontract; estimated starting and completion dates of the subcontract; and the geographical area in which the subcontract is to be performed. The notification shall be mailed to:

**Evelyn Teague, Regional Director  
Office of Federal Contract Compliance Programs  
61 Forsyth Street, SW, Suite 7B75  
Atlanta, Georgia 30303-8609**

4. As used in this Notice, and in the contract resulting from this solicitation, the "**covered area**" is Fayette County.

**PART IV**  
**INSURANCE**

Refer to  
*Kentucky Standard Specifications for Road and Bridge Construction,*  
current edition

**PART V**  
**BID ITEMS**

### PROPOSAL BID ITEMS

221336

Page 1 of 3

Report Date 7/20/22

#### Section: 0001 - PAVING

LINE	BID CODE	ALT	DESCRIPTION	QUANTITY	UNIT	UNIT PRIC	FP	AMOUNT
0010	00001		DGA BASE	7,103.00	TON		\$	
0020	00100		ASPHALT SEAL AGGREGATE	823.00	TON		\$	
0030	00103		ASPHALT SEAL COAT	99.00	TON		\$	
0040	00194		LEVELING & WEDGING PG76-22	6,407.00	TON		\$	
0050	00342		CL4 ASPH SURF 0.38A PG76-22	42,715.00	TON		\$	
0060	00356		ASPHALT MATERIAL FOR TACK	217.50	TON		\$	
0070	02676		MOBILIZATION FOR MILL & TEXT	1.00	LS		\$	
0080	02677		ASPHALT PAVE MILLING & TEXTURING	42,715.00	TON		\$	
0090	02697		EDGELINE RUMBLE STRIPS	209,944.00	LF		\$	
0100	20071EC		JOINT ADHESIVE	425,710.00	LF		\$	
0110	20757ED		PAVEMENT REPAIR PAVEMENT JOINT REPAIRS	1,842.50	SQYD		\$	
0120	20757ED		PAVEMENT REPAIR PAVEMENT LANE REPAIRS	1,737.00	SQYD		\$	
0130	24891EC		PAVE MOUNT INFRARED TEMP EQUIPMENT	4,438,593.00	SF		\$	

#### Section: 0002 - ROADWAY

LINE	BID CODE	ALT	DESCRIPTION	QUANTITY	UNIT	UNIT PRIC	FP	AMOUNT
0140	00078		CRUSHED AGGREGATE SIZE NO 2	154.00	TON		\$	
0150	01000		PERFORATED PIPE-4 IN	90.00	LF		\$	
0160	01020		PERF PIPE HEADWALL TY 1-4 IN	1.00	EACH		\$	
0170	01691		FLUME INLET TYPE 2	1.00	EACH		\$	
0180	01825		ISLAND CURB AND GUTTER	55.00	LF		\$	
0190	01982		DELINEATOR FOR GUARDRAIL MONO DIRECTIONAL WHITE	40.00	EACH		\$	
0200	01986		DELINEATOR FOR BARRIER WALL-B/Y	100.00	EACH		\$	
0210	02220		FLOWABLE FILL	35.00	CUYD		\$	
0220	02367		GUARDRAIL END TREATMENT TYPE 1	4.00	EACH		\$	
0230	02381		REMOVE GUARDRAIL	1,658.50	LF		\$	
0240	02391		GUARDRAIL END TREATMENT TYPE 4A	2.00	EACH		\$	
0250	02483		CHANNEL LINING CLASS II	370.00	TON		\$	
0260	02484		CHANNEL LINING CLASS III	66.00	TON		\$	
0270	02562		TEMPORARY SIGNS	1,500.00	SQFT		\$	
0280	02650		MAINTAIN & CONTROL TRAFFIC	1.00	LS		\$	
0290	02671		PORTABLE CHANGEABLE MESSAGE SIGN	6.00	EACH		\$	
0300	02704		SILT TRAP TYPE B	10.00	EACH		\$	
0310	02705		SILT TRAP TYPE C	10.00	EACH		\$	
0320	02726		STAKING	1.00	LS		\$	
0330	02775		ARROW PANEL	4.00	EACH		\$	
0340	03260		CLEAN ROADWAY DRAINS	10.00	EACH		\$	
0350	03383		PVC PIPE-4 IN	40.00	LF		\$	
0360	05950		EROSION CONTROL BLANKET	1,000.00	SQYD		\$	
0370	06401		FLEXIBLE DELINEATOR POST-M/W	771.00	EACH		\$	
0380	06404		FLEXIBLE DELINEATOR POST-M/Y	141.00	EACH		\$	
0390	06412		STEEL POST MILE MARKERS	9.00	EACH		\$	
0400	06511		PAVE STRIPING-TEMP PAINT-6 IN	266,000.00	LF		\$	

**PROPOSAL BID ITEMS**

221336

Page 2 of 3

Report Date 7/20/22

LINE	BID CODE	ALT	DESCRIPTION	QUANTITY	UNIT	UNIT PRIC	FP	AMOUNT
0410	06542		PAVE STRIPING-THERMO-6 IN W	163,087.00	LF		\$	
0420	06543		PAVE STRIPING-THERMO-6 IN Y	114,894.00	LF		\$	
0430	06546		PAVE STRIPING-THERMO-12 IN W	9,035.00	LF		\$	
0440	06547		PAVE STRIPING-THERMO-12 IN Y	108.00	LF		\$	
0450	06549		PAVE STRIPING-TEMP REM TAPE-B	5,000.00	LF		\$	
0460	06550		PAVE STRIPING-TEMP REM TAPE-W	2,500.00	LF		\$	
0470	06551		PAVE STRIPING-TEMP REM TAPE-Y	2,500.00	LF		\$	
0480	06556		PAVE STRIPING-DUR TY 1-6 IN W	483.00	LF		\$	
0490	06557		PAVE STRIPING-DUR TY 1-6 IN Y	322.00	LF		\$	
0500	06568		PAVE MARKING-THERMO STOP BAR-24IN	119.00	LF		\$	
0510	06569		PAVE MARKING-THERMO CROSS-HATCH	978.00	SQFT		\$	
0520	06573		PAVE MARKING-THERMO STR ARROW	2.00	EACH		\$	
0530	06574		PAVE MARKING-THERMO CURV ARROW	20.00	EACH		\$	
0540	06578		PAVE MARKING-THERMO MERGE ARROW	9.00	EACH		\$	
0550	06613		INLAID PAVEMENT MARKER-B W/R	3,078.00	EACH		\$	
0560	06614		INLAID PAVEMENT MARKER-B Y/R	93.00	EACH		\$	
0570	10020NS		FUEL ADJUSTMENT	51,346.00	DOLL	\$1.00	\$	\$51,346.00
0580	10030NS		ASPHALT ADJUSTMENT	101,518.00	DOLL	\$1.00	\$	\$101,518.00
0590	20366NN		REPLACE GRATE	5.00	EACH		\$	
0600	21417ES717		PAVE MARK THERMO CONE CAP-SOLID YELLOW	44.00	SQFT		\$	
0610	21802EN		G/R STEEL W BEAM-S FACE (7 FT POST)	1,400.00	LF		\$	
0620	24585EC		SECURITY PLATE ASSEMBLY	8.00	EACH		\$	
0630	24662EC		CLEAN PERFORATED PIPE HEADWALL	38.00	EACH		\$	
0640	24679ED		PAVE MARK THERMO CHEVRON	1,725.00	SQFT		\$	
0650	24683ED		PAVE MARKING-THERMO DOTTED LANE EXTEN	615.00	LF		\$	
0660	24689EC		PAVE MARK THERMO-WRONG WAY ARROW	6.00	EACH		\$	
0670	25075EC		QUEUE PROTECTION VEHICLE	400.00	HOURL		\$	
0680	25117EC		FURNISH QUEUE PROTECTION VEHICLES	8.00	MONT		\$	
0690	26136EC		PORTABLE QUEUE WARNING ALERT SYSTEM	8.00	MONT		\$	
0700	26137EC		QUEUE WARNING PCMS	48.00	MONT		\$	
0710	26138EC		QUEUE WARNING PORTABLE RADAR SENSORS	48.00	MONT		\$	

**Section: 0003 - SIGNING**

LINE	BID CODE	ALT	DESCRIPTION	QUANTITY	UNIT	UNIT PRIC	FP	AMOUNT
0720	06407		SBM ALUM SHEET SIGNS .125 IN	32.00	SQFT		\$	
0730	06410		STEEL POST TYPE 1	60.00	LF		\$	
0740	06490		CLASS A CONCRETE FOR SIGNS	.92	CUYD		\$	
0750	21596ND		GMSS TYPE D	4.00	EACH		\$	

**Section: 0004 - TRAFFIC LOOPS**

LINE	BID CODE	ALT	DESCRIPTION	QUANTITY	UNIT	UNIT PRIC	FP	AMOUNT
------	----------	-----	-------------	----------	------	-----------	----	--------

**PROPOSAL BID ITEMS**

221336

Page 3 of 3

Report Date 7/20/22

LINE	BID CODE	ALT	DESCRIPTION	QUANTITY	UNIT	UNIT PRIC	FP	AMOUNT
0760	04792		CONDUIT-1 IN	20.00	LF		\$	
0770	04793		CONDUIT-1 1/4 IN	160.00	LF		\$	
0780	04795		CONDUIT-2 IN	40.00	LF		\$	
0790	04811		ELECTRICAL JUNCTION BOX TYPE B	2.00	EACH		\$	
0800	04820		TRENCHING AND BACKFILLING	320.00	LF		\$	
0810	04829		PIEZOELECTRIC SENSOR	24.00	EACH		\$	
0820	04830		LOOP WIRE	6,725.00	LF		\$	
0830	04850		CABLE-NO. 14/1 PAIR	1,200.00	LF		\$	
0840	04895		LOOP SAW SLOT AND FILL	1,650.00	LF		\$	
0850	20359NN		GALVANIZED STEEL CABINET	4.00	EACH		\$	
0860	20360ES818		WOOD POST	8.00	EACH		\$	
0870	20391NS835		ELECTRICAL JUNCTION BOX TYPE A	4.00	EACH		\$	
0880	24900EC		PVC CONDUIT-1 1/4 IN-SCHEDULE 80	120.00	LF		\$	
0890	24955ED		REMOVE SIGNAL EQUIPMENT	2.00	EACH		\$	
0900	24963ED		LOOP TEST	3.00	EACH		\$	

**Section: 0005 - DEMOBILIZATION &/OR MOBILIZATION**

LINE	BID CODE	ALT	DESCRIPTION	QUANTITY	UNIT	UNIT PRIC	FP	AMOUNT
0910	02568		MOBILIZATION	1.00	LS		\$	
0920	02569		DEMOBILIZATION	1.00	LS		\$	