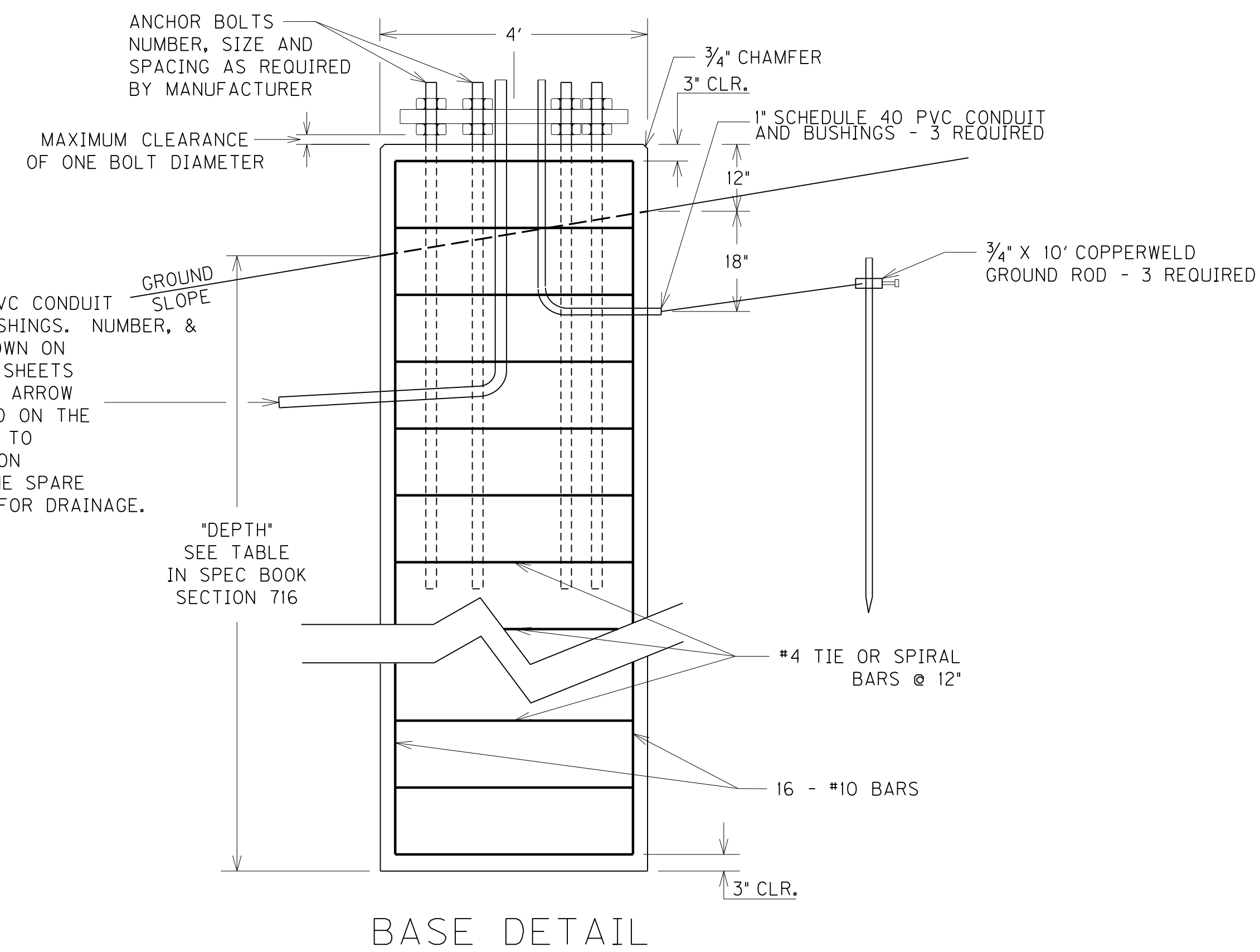
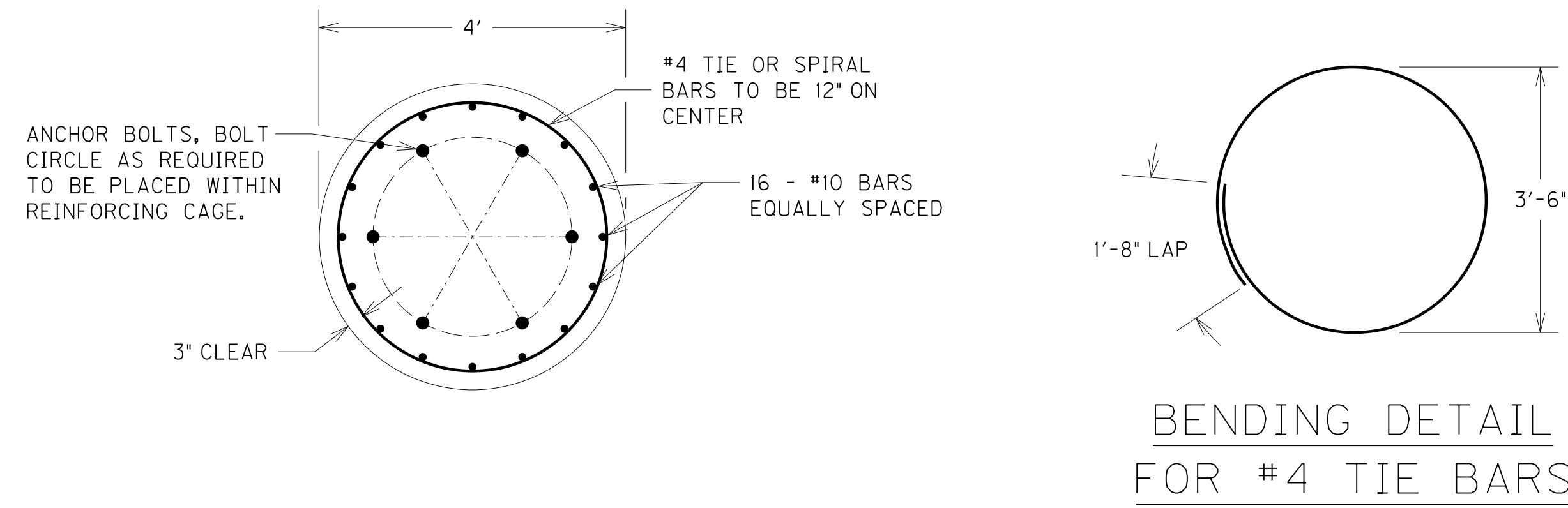


# BASE DESIGN FOR UP TO 120' HIGH MAST POLES

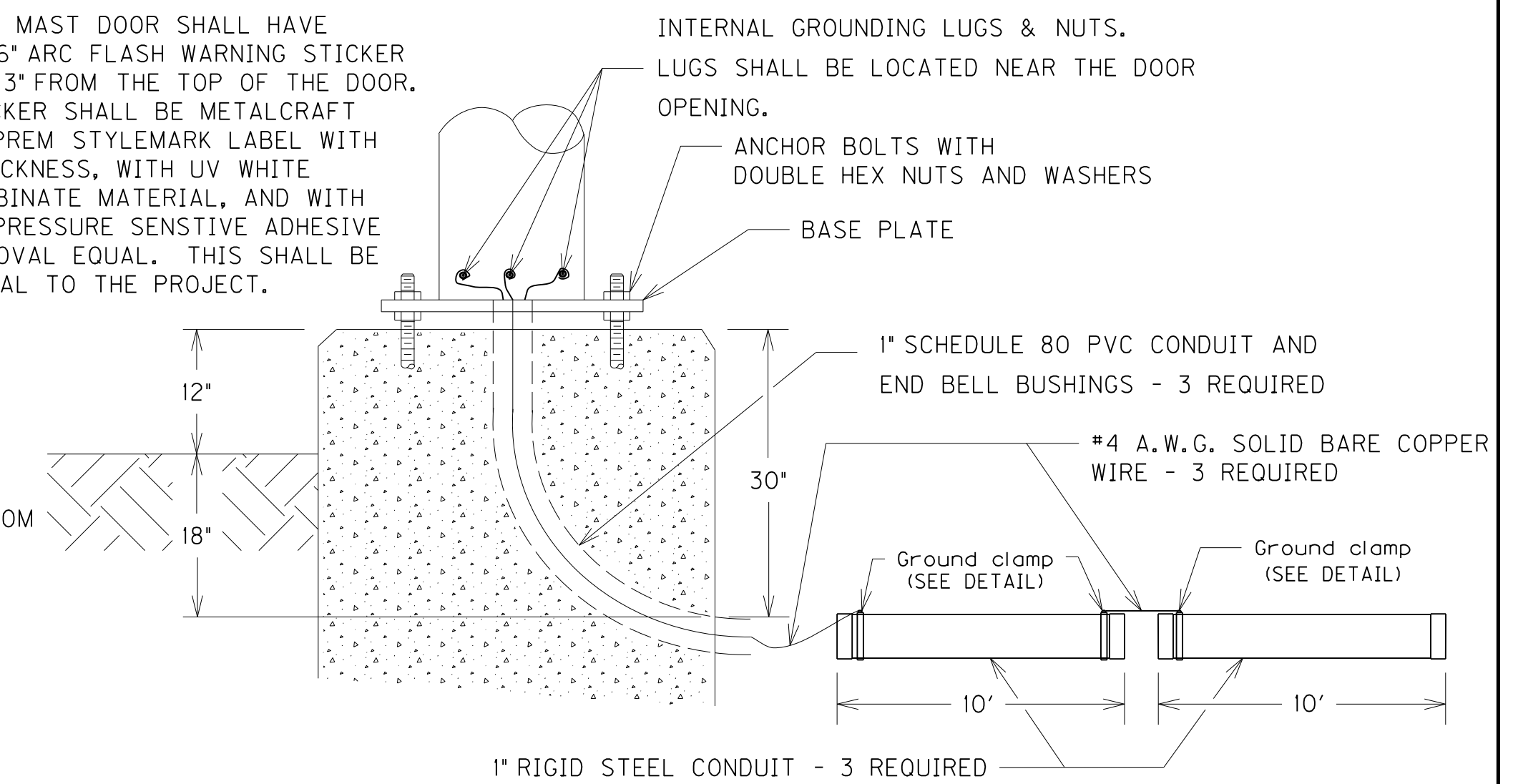
(WITH A MAXIMUM OF TWELVE LUMINAIRES)

COUNTY OF	ITEM NO.	SHEET NO.

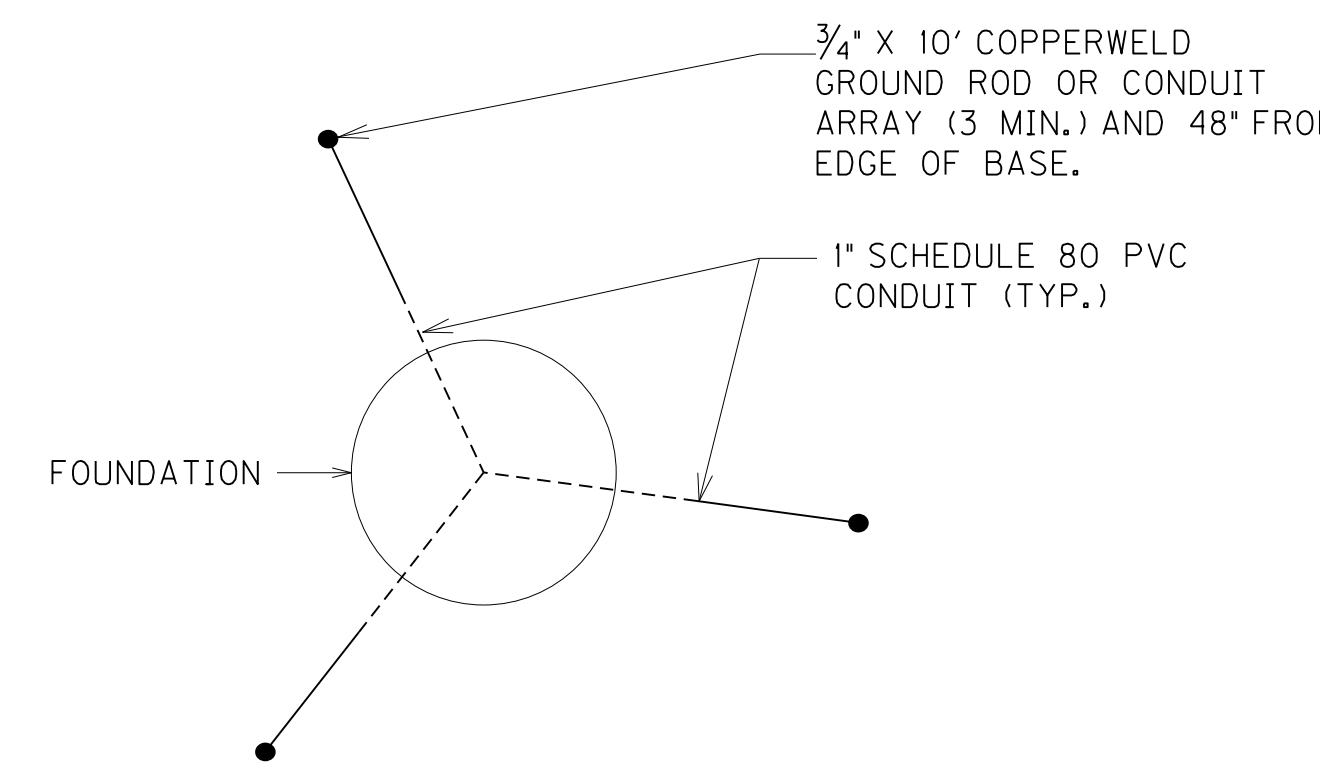


NOTES:  
ALL CONDUITS SHALL BE INSTALLED AT LEAST 6 INCHES FROM THE BOTTOM OF THE DOOR FRAME. ALL CONDUITS USED FOR THE GROUNDING AND CONDUCTORS ARE INCIDENTAL TO BID ITEM "23161EN". THIS INCLUDES PROVIDING A MINIMUM OF 24 INCHES OF CONDUIT PAST THE EDGE OF THE POLE BASE.

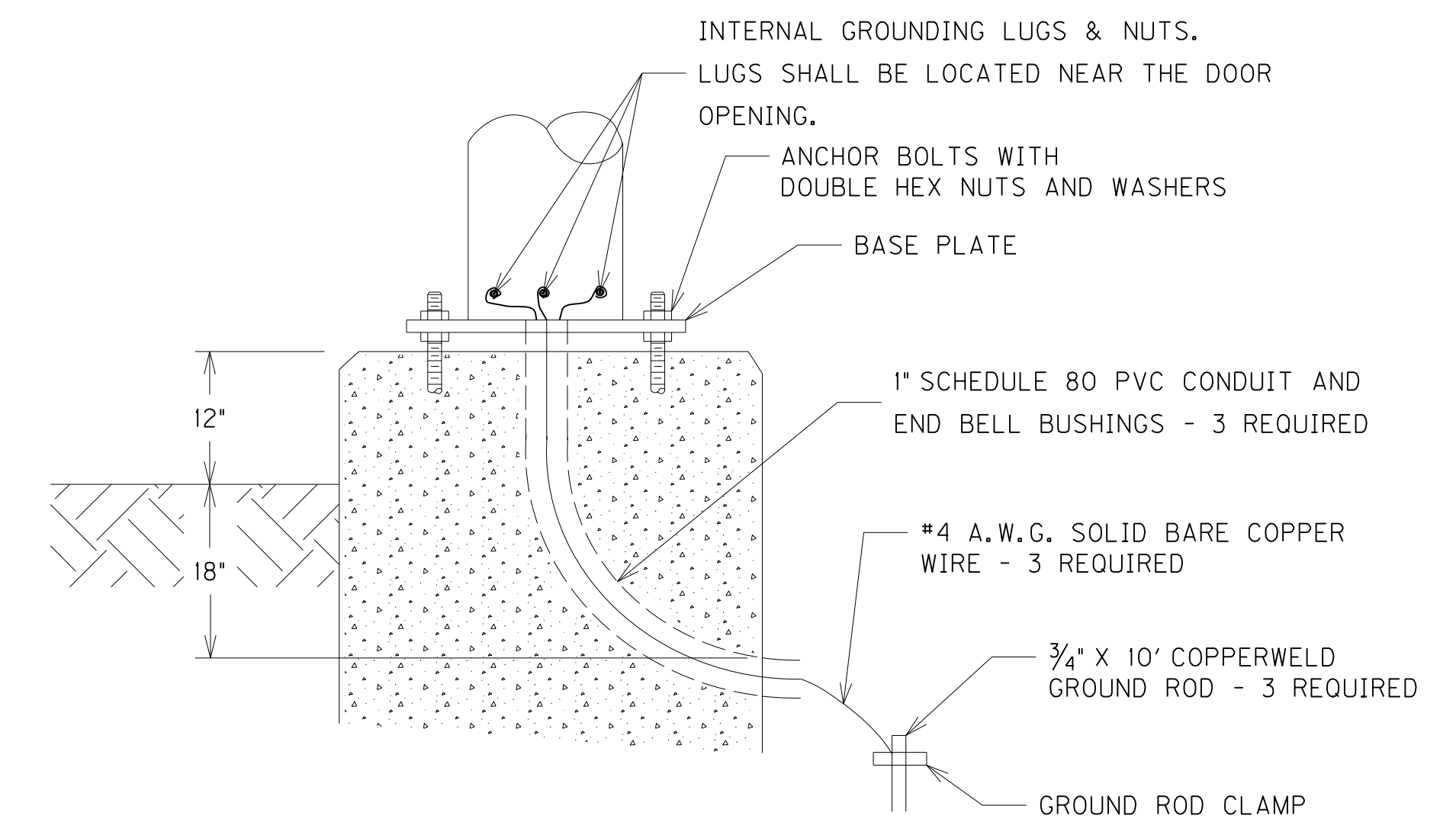
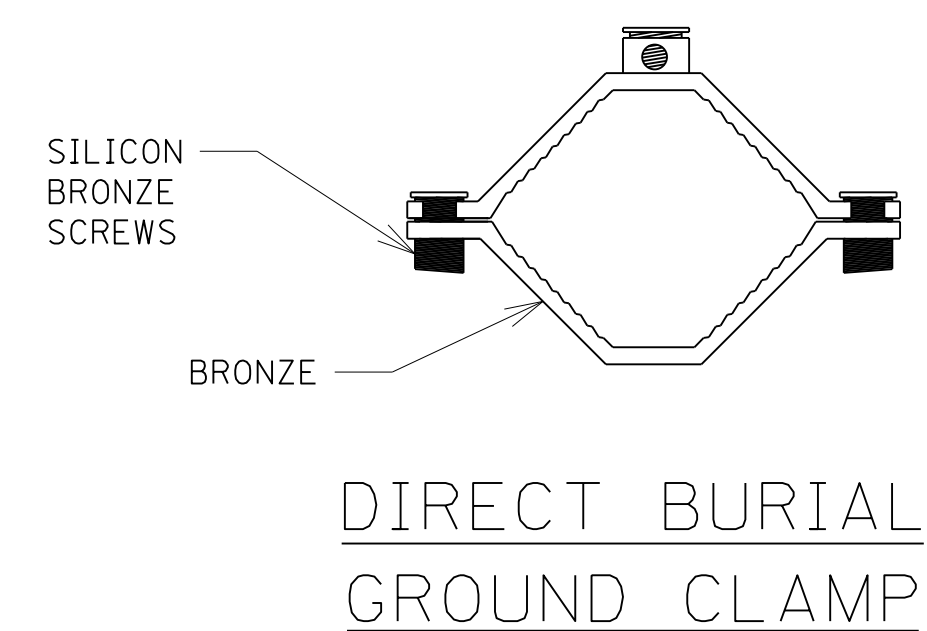
NOTE:  
THE HIGH MAST DOOR SHALL HAVE A 4" BY 6" ARC FLASH WARNING STICKER INSTALL 3" FROM THE TOP OF THE DOOR. THE STICKER SHALL BE METALCRAFT PLY695 PREM STYLEMARK LABEL WITH .007 THICKNESS, WITH UV WHITE POLYCARBONATE MATERIAL, AND WITH MC53FL PRESSURE SENSITIVE ADHESIVE OR APPROVAL EQUAL. THIS SHALL BE INCIDENTAL TO THE PROJECT.



GROUNDING NOTE: TOWERS SHALL BE GROUNDED BY MEANS OF THREE NO. 4 A.W.G. SOLID BARE COPPER GROUND WIRES ATTACHED TO THE INTERNAL GROUNDING LUGS WITHIN THE TOWER. GROUND WIRES SHALL BE CONNECTED TO PIPE CLAMPS AS SHOWN ABOVE.



TOWER HAND HOLES SHALL BE ON THE DOWN-SLOPE SIDE OF THE TOWER



GROUNDING NOTE: TOWERS SHALL BE GROUNDED BY MEANS OF THREE NO. 4 A.W.G. SOLID BARE COPPER GROUND WIRES ATTACHED TO THE INTERNAL GROUNDING LUGS WITHIN THE TOWER. GROUND WIRES SHALL BE CONNECTED TO PIPE CLAMPS AS SHOWN ABOVE.

## GROUNDING AND CONDUIT ENTRANCE DETAIL

HIGHMAST BASE DETAIL

FILE NAME: G:\PIWORK\TED.SWANSEGAR\DM528754\04 09-HM BASE (HM).DGN

USER: ted.swansegar  
DATE PLOTTED: March 20, 2017

E-SHEET NAME:

MicroStation v8.11.7.443

3/10/2017