

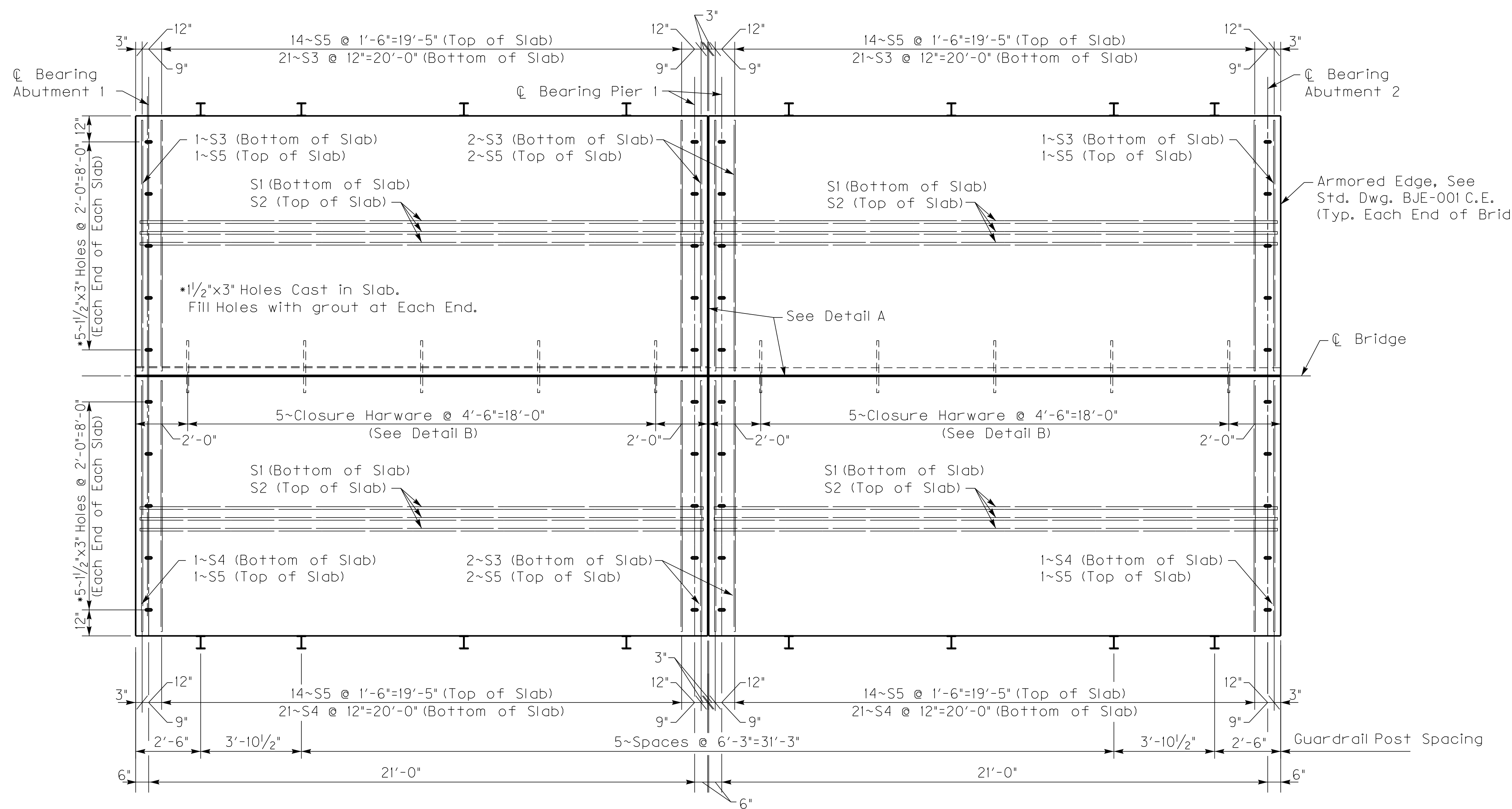
FILE NAME: H:\Archives\Harlan\26759\26759.dgn

USERNAME: Gary Newton

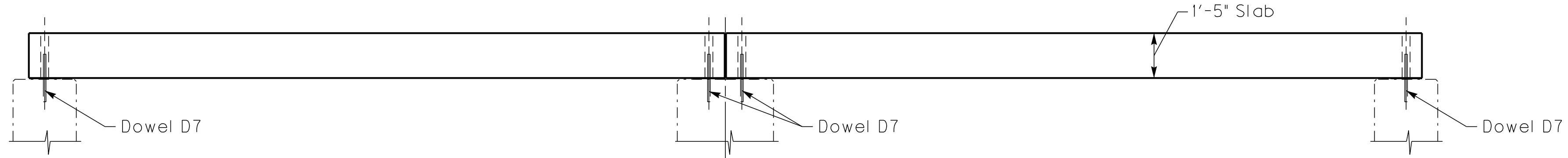
DATE: 19-OCT-2011

SHEET LOCATION: NJ1

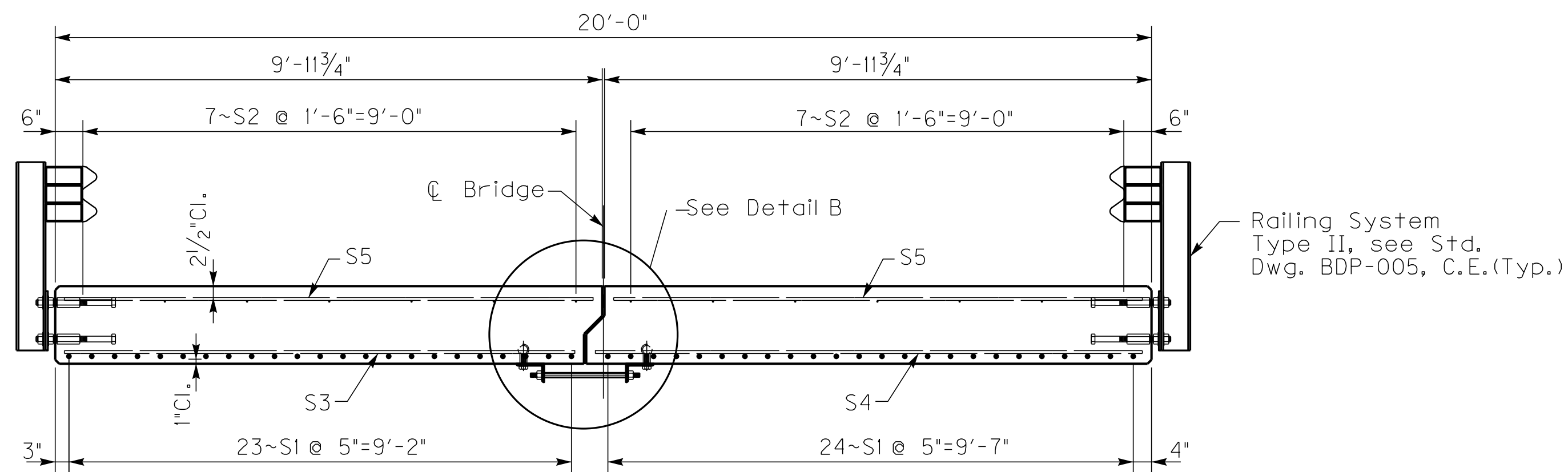
BILL OF REINFORCEMENT					
MARK	TYPE	NO.	SIZE	LENGTH	LOCATION
S1e	Str.	94	10	21'-8"	Bottom of Slab
S2e	Str.	28	4	21'-8"	Top of Slab
S3e	Str.	46	5	9'-3"	Bottom of Slab
S4e	Str.	46	5	9'-11"	Bottom of Slab
S5e	Str.	64	4	9'-7"	Top of Slab
D6e	Str.	40	8	1'-6"	Cap Dowels



PLAN OF SLAB

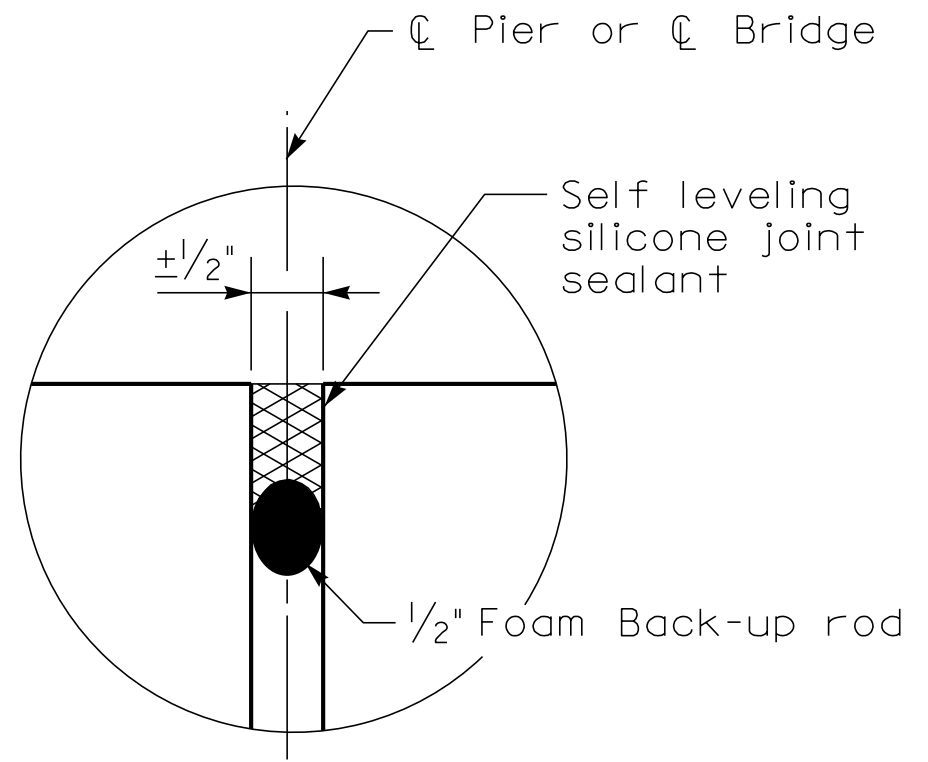


ELEVATION

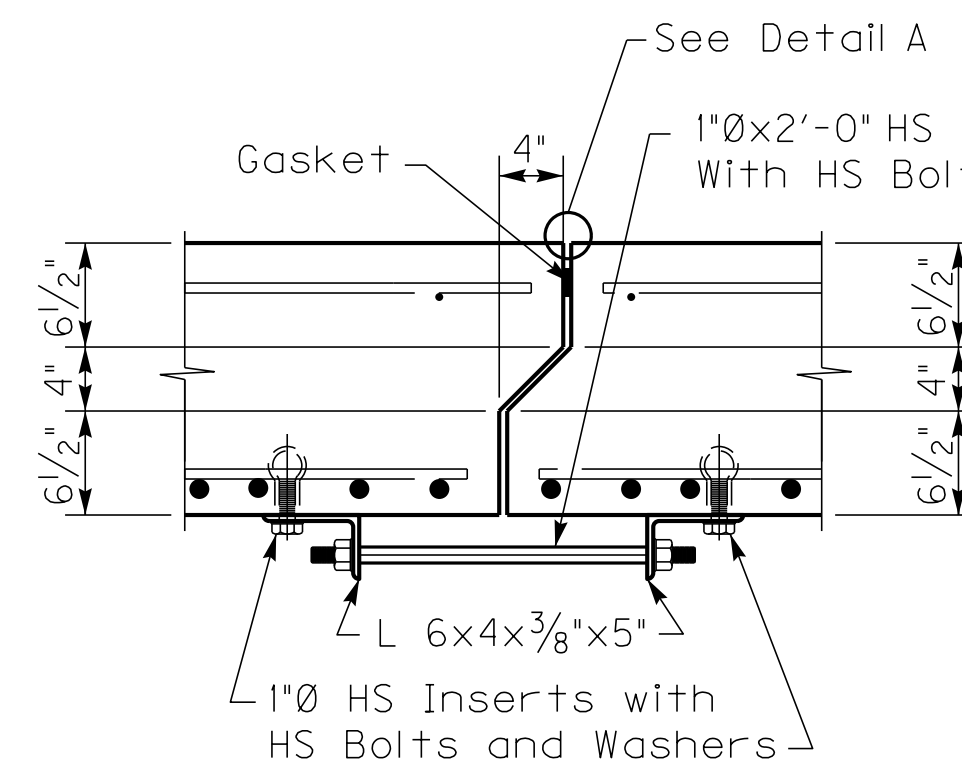


TYPICAL SECTION

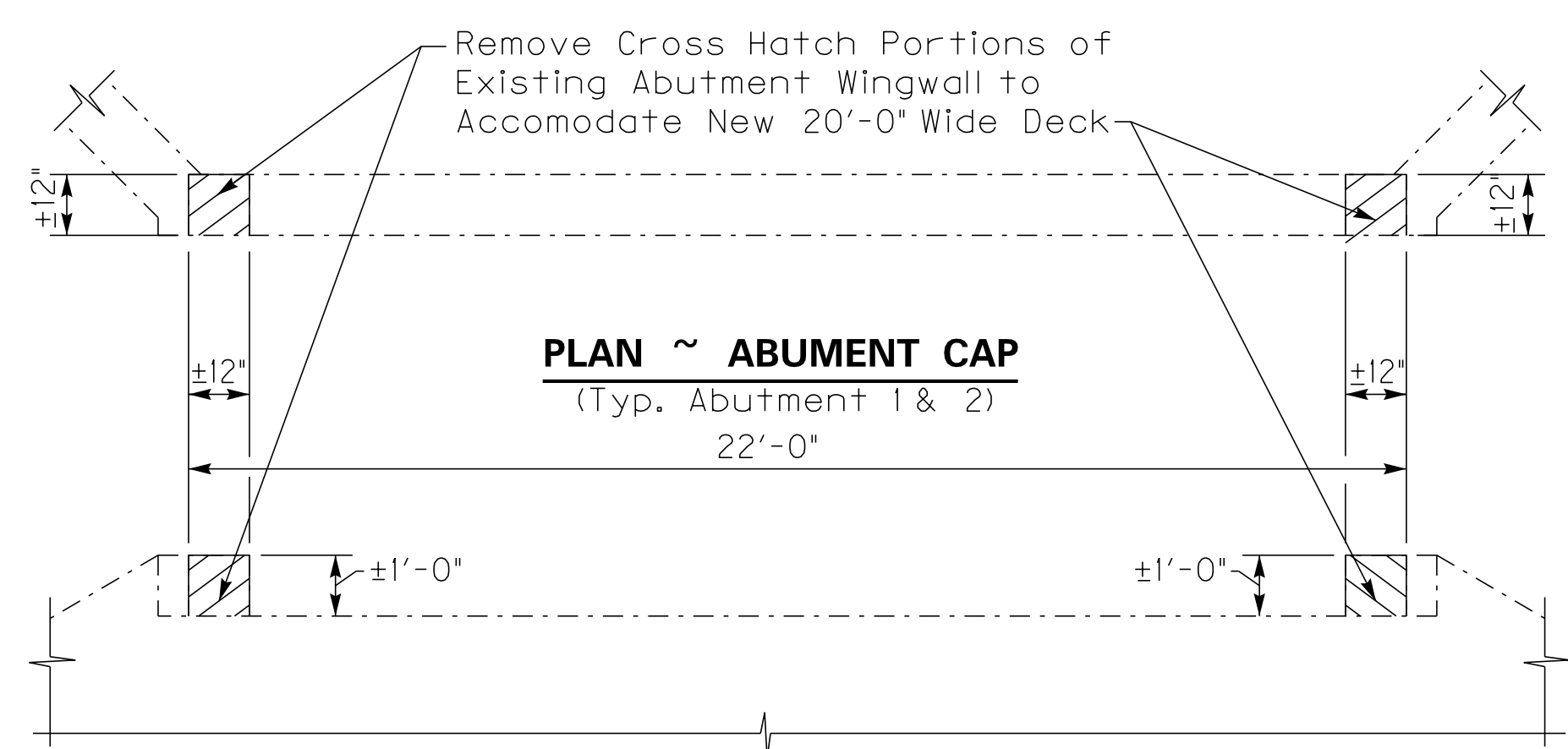
Note: Place Right Side First.



DETAIL "A"



DETAIL "B"
(Closure Hardware)



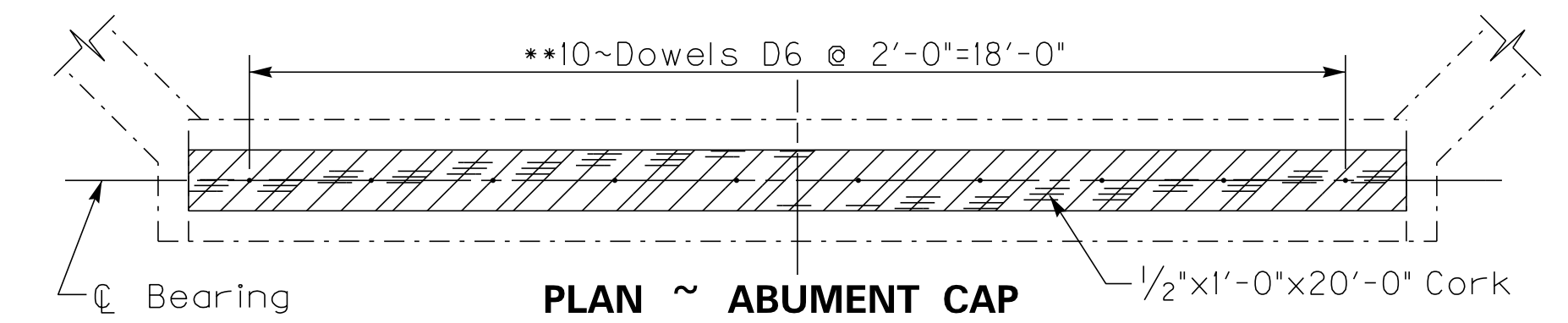
PLAN ~ ABUTMENT CAP

ELEVATION ~ ABUTMENT CAP

Notes: 1.) Clean and Straighten Existing Reinforcement. Replace with Class AA Concrete once Deck is in place.
2.) Removal is to be done in advance of road closure.

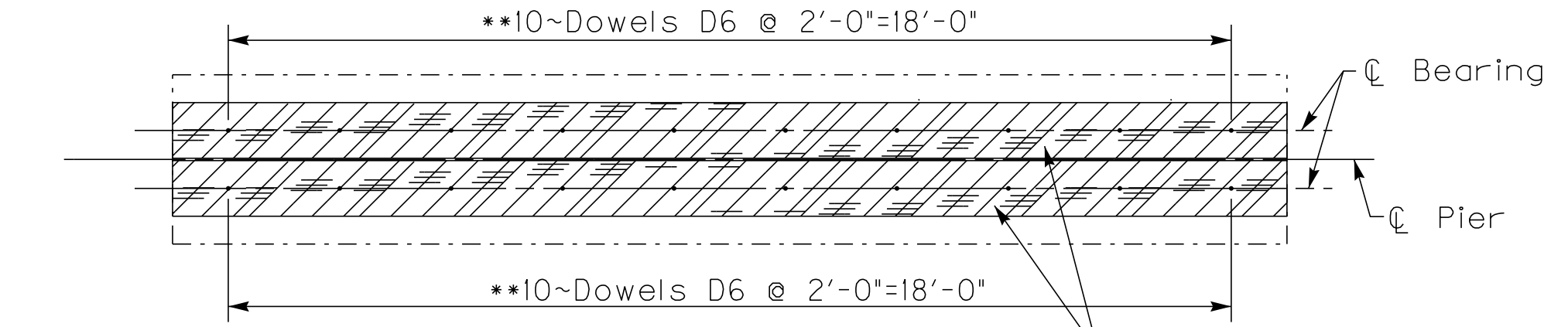
SUBSTRUCTURE REMOVAL DETAILS

(All Cost to Remove Portion the Abutments shall be incidental to Remove Structure)



PLAN ~ ABUTMENT CAP

** Drill Holes for Dowels after place Slabs and grout Dowels into Cap.



PLAN ~ PIER 1 CAP

SUBSTRUCTURE DETAILS

Note: All Closure Hardware shall be incidental to Class AA Concrete.

PROJECT NUMBER
FE02 048 0217 B00050N

Commonwealth of Kentucky DEPARTMENT OF HIGHWAYS	
COUNTY HARLAN	
ROUTE KY 219	CROSSING Wallins Creek
SUPERSTRUCTURE	
PREPARED BY Division of Maintenance	SHEET NO. S2
Bridge Preservation Branch	DRAWING NO. 26759