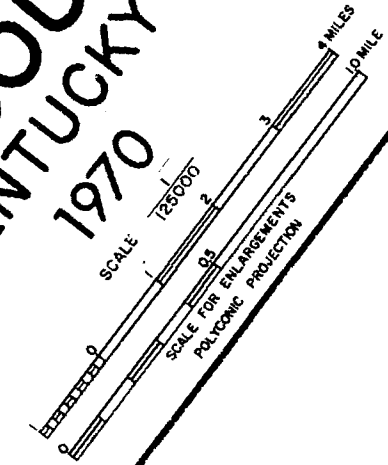
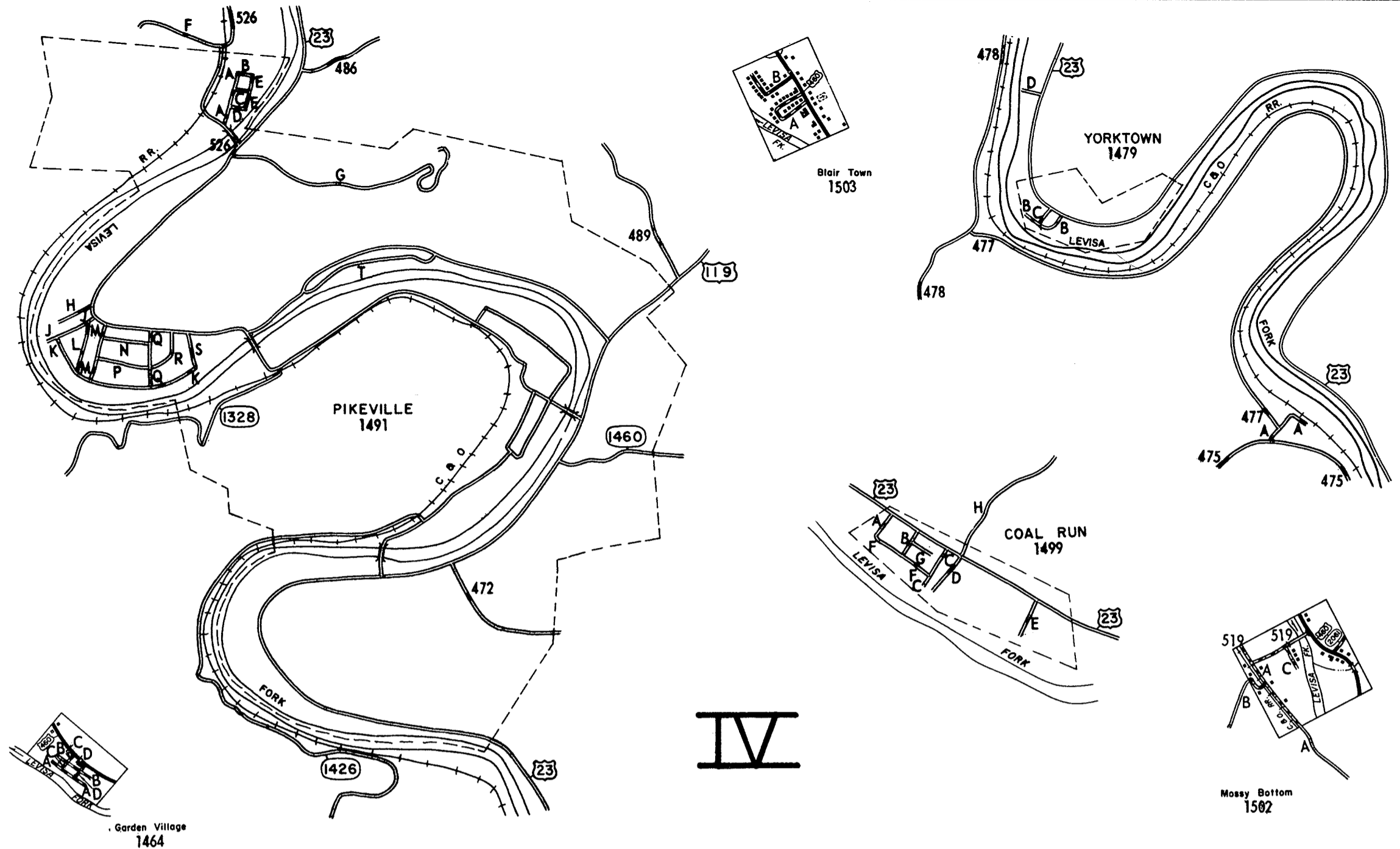
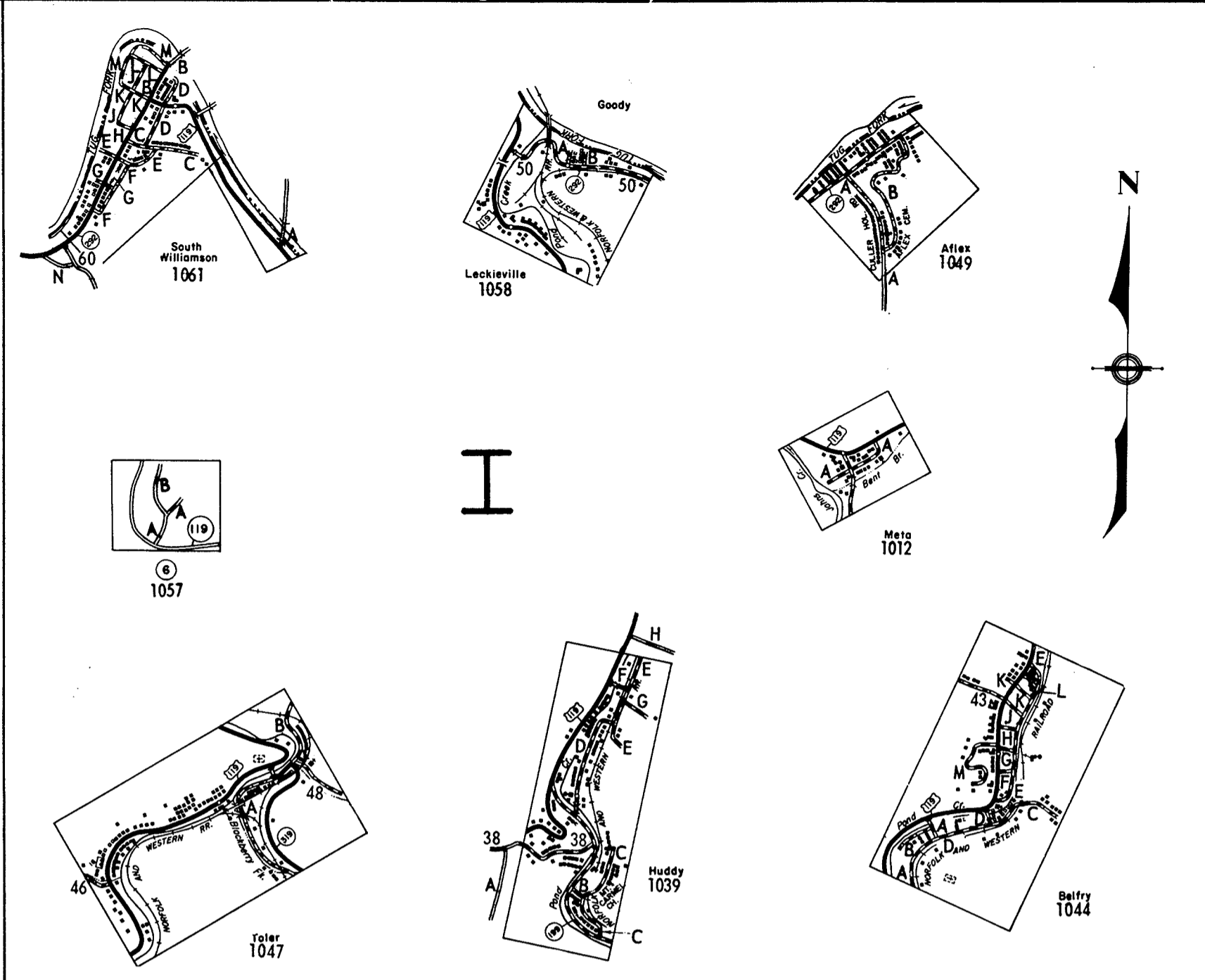


SHEET 1 OF 4
COUNTY ROAD SERIES MAP
PIKE COUNTY
KENTUCKY
1970

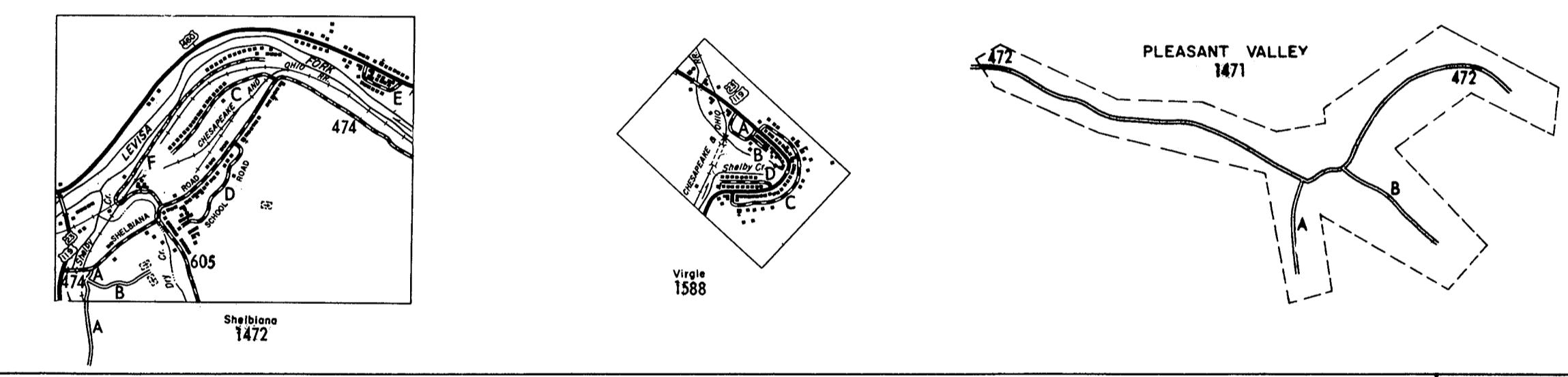




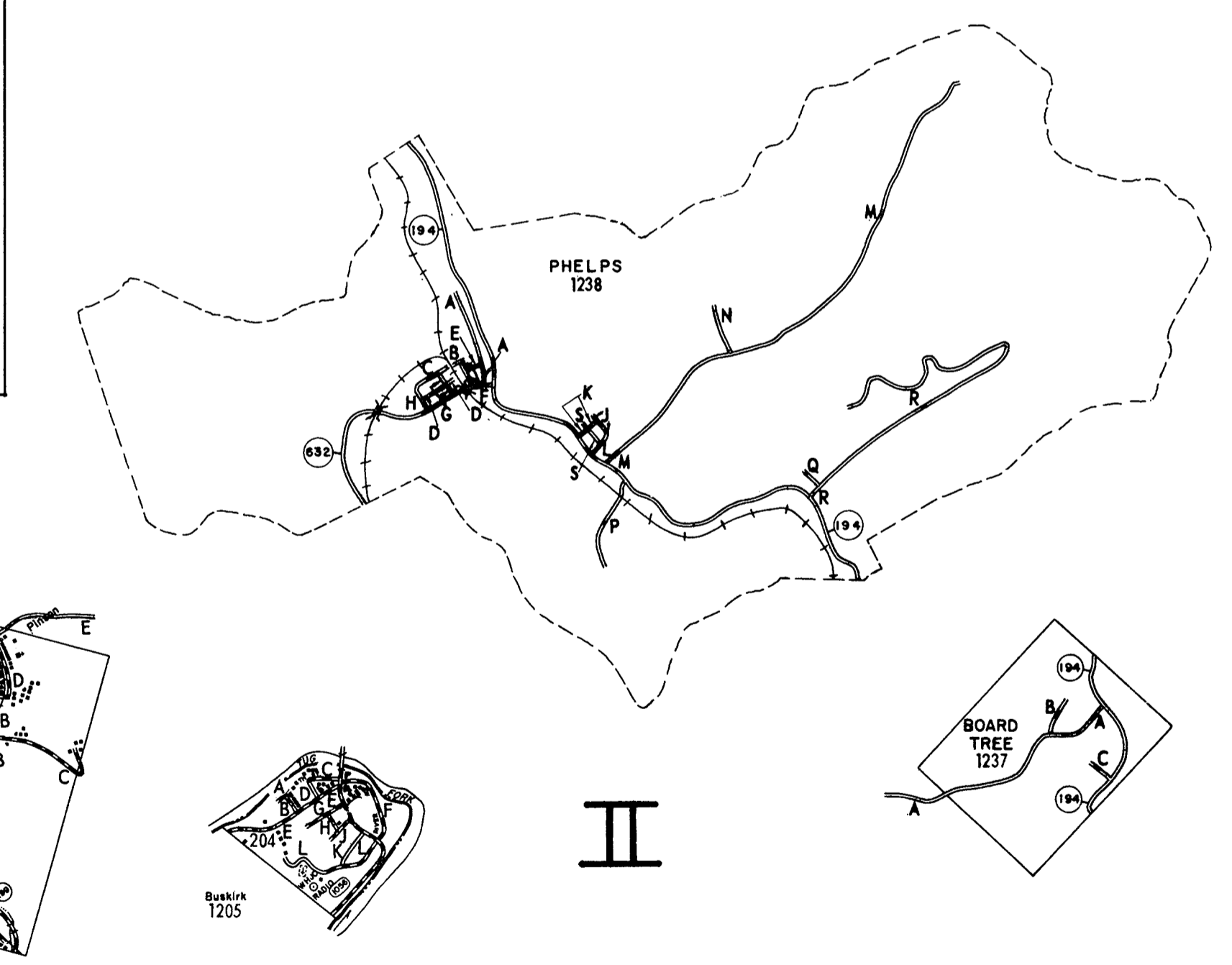
IV



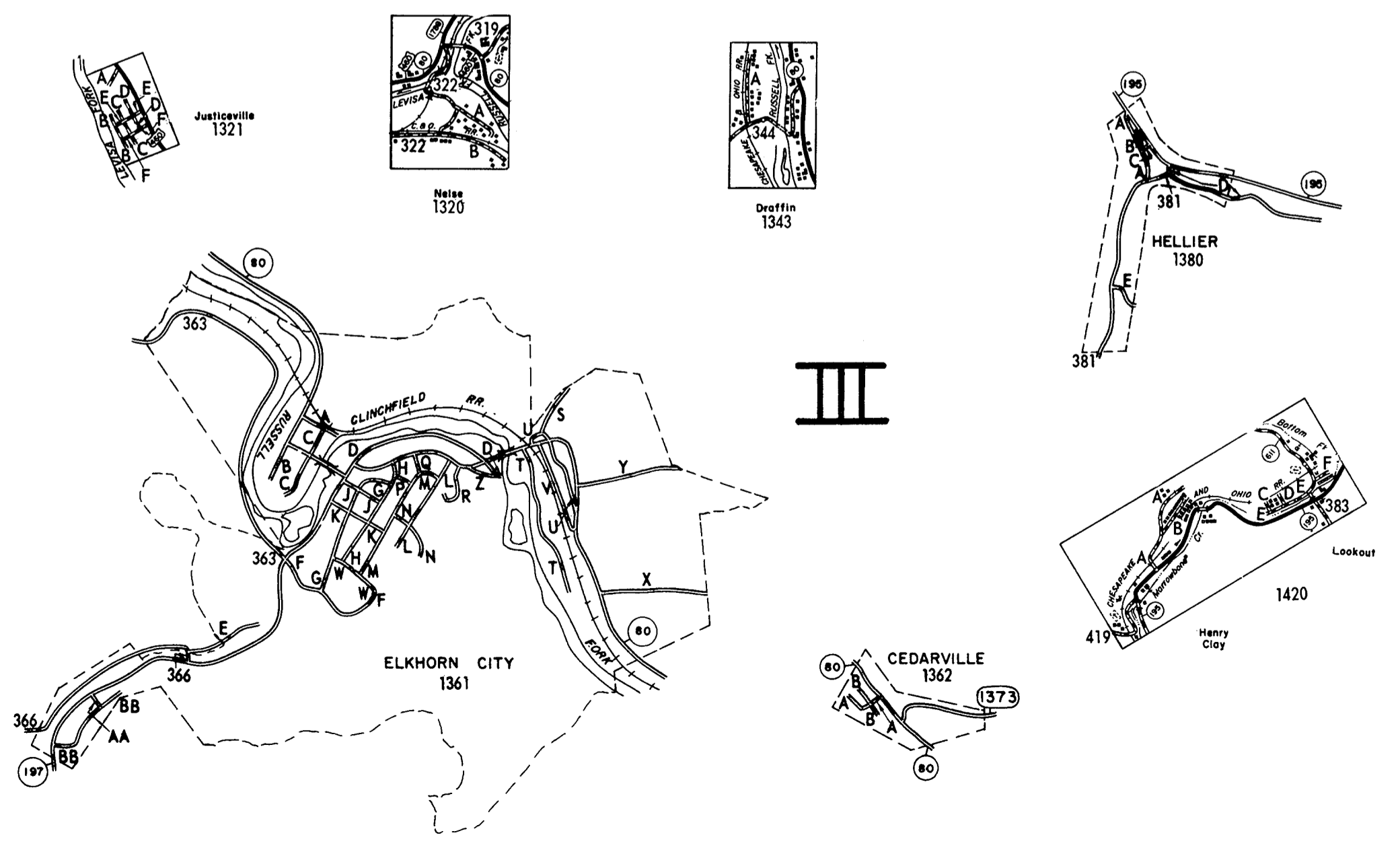
I



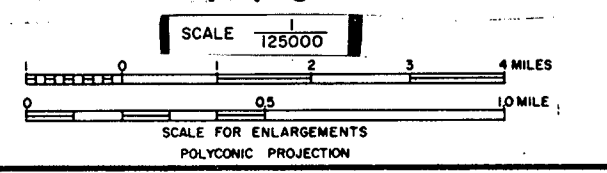
III



II



SHEET 2 OF 4
 COUNTY ROAD SERIES MAP
PIKE COUNTY
 KENTUCKY
 1970



QUADRANT I

NÖ.	ROAD NAME	LGTH.	NO.	ROAD NAME	LGTH.
1001	RACCOON CREEK	2.40	1063	SUKEY FORK	0.50
1002	SLONES BRANCH RACCOON CREEK	0.80	1064	COLD FORK	0.70
1003	FIFTYEIGHT BRANCH	1.50	1065	TAYLOR FORK	1.80
1004	FROZEN CREEK	2.40	1066	CANEY FORK	0.80
1005	GRASSY BRANCH	3.30	1067	NOSBEN FORK	0.90
1006	RAMEY FORK	0.80	1068	LICK BRANCH TAYLOR FORK	0.80
1007	BURNING FORK	2.50	1069	TATE BRANCH	0.20
1008	DON HALL	0.20	1070	GOODMAN	0.10
1009	SALEM CHURCH	0.40	1071	SLATOR BRANCH	0.90
1010	ROAD FORK RACCOON CREEK	0.30	1072	HURRICANE BRANCH TUG FORK	1.10
1011	WINN BRANCH	1.60	1073	BURGETT BRANCH	0.90
1012	STREET IN META		1074	BENT BRANCH	2.00
	A HELENA STREET	0.25	1075	SWINGE CAMP BRANCH	0.40
1013	OLD ZEBULON SCHOOL	0.80	1076	SPRING BRANCH	0.20
1014	SMITH FORK	0.80	1077	HALFWAY BRANCH	0.50
1015	SCOTT FORK	0.70	1078	ROCKHOUSE FORK	5.60
1016	CABIN KNOLL BRANCH	0.60	1079	BENT MOUNTAIN	1.90
1017	OPEN FORK	1.30	1080	KING CAMP BRANCH	0.90
1018	LEFT FORK OPEN FORK	0.30	1081	CROOKED FORK	1.20
1019	BEVINS BRANCH	1.40	1082	BRUSHY HOLLOW FORK	0.50
1020	STINKING BRANCH	2.10	1083	WALNUT FORK	0.30
1021	VARNEY BRANCH	1.10	1084	MIDDLE FORK ROCKHOUSE FORK	1.60
1022	MEATHOUSE FORK	1.80	1085	VARNEY - MIDDLE FORK	1.30
1023	CALLAHAN BRANCH - DIX FORK	3.50	1086	WALNUT HOLLOW	0.40
1024	ROCKHOUSE FORK - PIGEON BRANCH	4.60	1087	JOHN YOUNG BRANCH	0.40
1025	MEATHOUSE BRANCH	3.20	1088	RYE STRAW BRANCH	0.40
1026	BENTON BRANCH	1.00	1089	FARNEY CEMETERY	0.20
1027	STRATTON FORK	3.60	1090	ELKINS FORK	2.40
1028	DIX FORK HOLLOW	0.20	1091	TRACE BRANCH ELKINS FORK	1.00
1029	ROAD FORK BIG CREEK	2.70	1092	LEFT FORK BRUSHY FORK	4.70
1030	BLACKBERRY	0.30	1093	GIN FORK	2.10
1031	BROWN BRANCH	0.40	1094	HURRICANE BRANCH	1.10
1032	DIX FORK	5.30	1095	BRUSHY FORK	16.80
1033	PIGEON ROOST BRANCH	2.50	1096	ROAD FORK - FORD MOUNTAIN	3.70
1034	SMITH CEMETERY	0.20	1097	WOLFPEEN BRANCH ROAD FORK	0.70
1035	REED FORK	0.80	1098	ALLEY BRANCH	0.60
1036	BRUNTY FORK	0.60	1099	BIG BRANCH BRUSHY FORK	0.70
1037	CHAPMAN HOLLOW	0.40	1100	SCOTT BRANCH - FLUTY BRANCH	3.20
1038	COBURN BRANCH	1.50	1101	SCOTT BRANCH JOHNS CREEK	0.40
1039	STREETS IN HUDDY		1102	PINSON BRANCH	0.50
	A LEFT FORK COBURN BRANCH	0.22	1103	LOWE BRANCH	0.90
	B LOCUST STREET	0.04	1104	SYCAMORE CREEK	4.30
	C CHURCH STREET	0.35	1105	MAYNARD BRANCH	0.90
	D JERRY BOTTOM	0.30	1106	ROAD FORK - SYCAMORE CREEK	1.70
	E RAILROAD STREET	0.28	1107	MILL FORK BRUSHY FORK	1.10
	F BRIDGE STREET	0.05	1108	BILLY LOWE BRANCH	1.50
	G LAUREL DRIVE	0.07	1109	BIG BRANCH - HEENON	1.10
	H HUDDY CEMETERY	0.14	1110	SPANKUM BRANCH	0.50
1040	BLACKSMITH	0.20	1111	BIG BRANCH - MEATHOUSE CREEK	4.20
1041	MUDLICK	0.50	1112	MARTIN COUNTY LINE	0.70
1042	SCANT BRANCH	0.80	1113	ISAAC BRANCH	0.50
1043	PEG BRANCH	1.00	1114	BLANKENSHIP BRANCH	0.60
1044	STREETS IN BELFRY		1115	MISSOURI BRANCH	1.30
	A MAPLE STREET	0.24	1116	RIVER BRANCH	1.10
	B PINE STREET	0.14	1117	DRIFT BRANCH SPUR	0.70
	C ORINOCO HOLLOW	0.22	1118	DRIFT BRANCH - BUFFALO	2.50
	D SYCAMORE STREET	0.20	1119	BUFFALO CREEK	3.80
	E CHURCH STREET	0.45	1120	MC COMBS BRANCH	1.90
	F SMITH STREET	0.05	1121	WALKER BRANCH	0.80
	G HATCHER STREET	0.05	1122	BRUSHY RUN JOHNS CREEK	0.90
	H OAK STREET	0.05	1123	MILLER CREEK-COWPEN	5.10
	J WALNUT STREET	0.07	1124	CLEVINGERS BRANCH - MILLER CREEK	1.70
	K LAUREL STREET	0.07	1125	HEAD OF JOES CREEK	1.80
	L ELM STREET	0.05	1126	ROAD FORK JOES CREEK	0.40
	M HILLCREST STREET	0.25	1127	JOES CREEK	4.80
1045	MEETINGHOUSE BRANCH	0.70	1128	COAL HOLLOW	0.50
1046	COW BRANCH	0.60	1129	MACKS BRANCH	1.20
1047	STREETS IN TOLER		1130	LEFT FORK MACKS BRANCH	0.30
	A BLACKBERRY FORK	0.81	1131	DRY BRANCH JOHNS CREEK	1.30
	B TOLER HOLLOW	0.23	1132	LEFT FORK DRY BRANCH JOHNS CREEK	0.10
1048	CHURCHHOUSE HOLLOW	0.60	1133	HEDGE	0.30
1049	STREETS IN AFLEX		1134	THOMPSON BRANCH RACCOON CREEK	0.80
	A CULLER HOLLOW	0.50	1135	NOB FORK	1.70
	B AFLEX CEMETERY	0.42	1136	MC COY BRANCH	0.50
1050	GOODY - AFLEX - BURNWELL	5.20			
1051	POND CREEK FLATS	0.70			
1052	THOMPSON HOLLOW	0.50			
1053	ROAD FORK	0.90			
1054	BLACKBURN HOLLOW	0.60			
1055	KATE CAMP BRANCH	0.60			
1056	PAULEY HOLLOW	0.50			
1057	STREETS IN ENLARGEMENT NO. 6				
	A SCOTT CEMETERY	0.11			
	B WATER STREET	0.13			
1058	STREETS IN GOODY				
	A WATSON STREET	0.03			
	B CLARK STREET	0.03			
1059	MURPHY BRANCH	0.50			
1060	JULIUS BRANCH	1.00			
1061	STREETS IN SOUTH WILLIAMSON				
	A SECOND AVENUE	0.04			
	B PRICHARD STREET	0.15			
	C HONEYSUCKLE STREET	0.20			
	D EAST VIRGINIA AVENUE	0.20			
	E FIFTH STREET	0.17			
	F VIRGINIA AVENUE	0.19			
	G SIXTH STREET	0.06			
	H THIRD STREET	0.05			
	J CROSS STREET	0.19			
	K SECOND STREET	0.15			
	L FIRST STREET	0.10			
	M THE BOULEVARD	0.21			
	N NEW CAMP SPUR	0.18			
1062	TURKEY CREEK - LONG FORK	8.90			

QUADRANT II

NO.	ROAD NAME	LGTH.	NO.	ROAD NAME	LGTH.
1160	FISHTRAP RIDGELINE	8.20	1231	SHALLOW SHOAL BRANCH	0.30
1161	JONICAN BRANCH	0.80	1232	WOODMAN - POPLAR CREEK	5.30
1162	HURRICANE CREEK	3.70	1233	LYNN TROUGH BRANCH	1.40
1163	DICKS FORK	0.50	1234	CHAPMAN FORK	0.80
1164	HONEY FORK	0.40	1235	FAST FORK	0.30
1165	TRACE FORK GRAPEVINE CREEK	0.20	1236	LITTLE BRANCH TURKEY CREEK	0.30
1166	LOWER CAMP BRANCH	0.50	1237	STREETS IN BOARD TREE	
1167	UPPER CAMP BRANCH	0.70		A BILLY DOTSON BRANCH	0.64
1168	LANE BRANCH	1.20		B RIGHT FORK BILLY DOTSON BRANCH	0.11
1169	RATTLESNAKE BRANCH JOHNS CREEK	0.50		C DAWSON LANE	0.07
1170	TRAP FORK	1.30	1238	STREETS IN PHELPS	
1171	GABRIEL BRANCH	3.40		A GREGORY STREET	0.32
1172	PRICHARD FORK	1.20		B EAST WALNUT STREET	0.03
1173	POND FORK JOHNS CREEK	1.00		C WALNUT STREET	0.12
1174	RIGHT FORK BLACKBERRY CREEK	2.10		D WOLFORD STREET	0.12
1175	POST OFFICE FORK	0.90		E EAST WOLFORD STREET	0.07
1176	SMITH BRANCH BLACKBERRY CREEK	1.00		F COURT STREET	0.07
1177	MIDDLE BRANCH BLACKBERRY CREEK	1.10		G SYCAMORE STREET	0.07
1178	POND CREEK	1.20		H FIFTH STREET	0.06
1179	WILLIAMS BRANCH	0.40		J FIELDS STREET	0.06
1180	SLONE HOLLOW	0.30		K MAY STREET	0.07
1181	CENTER STREET	0.20		L KAY STREET	0.07
1182	STREETS IN ENLARGEMENT NO. 3			M BONE BRANCH	1.50
	A GRANTS BRANCH	0.23		N HARRIS HOLLOW	0.15
	B STRAIGHT STREET	0.21		P PAGE BRANCH	0.25
	C CHURCH STREET	0.11		Q SNAKE BRANCH	0.06
1183	DOTSON HOLLOW	0.20		R MAREDA BRANCH	1.30
1184	ROCKHOUSE BRANCH	2.10		S BLACKBURN STREET	0.13
1185	ATKINS BRANCH	2.70	1239	RIGHT FORK HURRICANE CREEK	1.20
1186	NETLEY BRANCH	0.50	1240	OLD MURPHY SCHOOL	1.80
1187	PINSON FORK	4.10	1241	LOWER ELK CREEK	2.50
1188	LEFT FORK BALL FORK	0.40	1242	RIGHT FORK LOWER ELK CREEK	1.20
1189	BALL FORK	1.00	1243	CAMP CREEK	1.50
1190	STREETS IN MC ANDREWS		1244	OWEN BRANCH	0.70
	A WHITE HOUSE STREET	0.27	1245	HURRICANE CREEK	3.40
	B CROSS STREET	0.13	1246	MILL CREEK KNOX CREEK	1.10
	C BILLY BALL HOLLOW	0.37	1247	ROCKHOUSE FORK - LICK FORK	0.60
	D BACK STREET	0.19	1248	PAWPAW BRANCH	1.80
	E BARNEY HOLLOW	0.30	1249	MAY FORK	0.60
1191	MULLEN FORK	3.20	1250	GRASSY FORK PAWPAW BRANCH	1.10
1192	DAVIS BRANCH MULLEN FORK	1.10	1251	DOTSON FORK	0.80
1193	STONE	0.30	1252	GRASSY BRANCH LEFT FORK PETER CREEK	0.90
1194	HEILMAN	0.10			
1195	WINN HOLLOW	0.60	1253	PRATER BRANCH	0.80
1196	NARROWS BRANCH	0.50	1254	SOLOMON FORK	1.00
1197	JOSH HOLLOW	0.50	1255	DUTY BRANCH	0.40
1198	MUDLICK BRANCH	2.30	1256	PHILLIPS BRANCH	1.00
1199	RIGHT TURKEYTOE BRANCH	1.20	1257	BEECH CREEK	2.40
1200	LEFT TURKEYTOE BRANCH	0.50	1258	JOHN DOTSON	0.20
1201	LOWER STRINGTOWN	0.70	1259	ABBEY BRANCH	0.30
1202	UPPER STRINGTOWN	0.90	1260	CALLOWAY BRANCH	2.30
1203	STRINGTOWN	0.10	1261	SMITH FORK	5.00
1204	BUSKIRK BEND	4.60	1262	HENSLEY BRANCH	0.10
1205	STREETS IN BUSKIRK		1263	STAGGERWEED BRANCH	0.90
	A EAST SIXTH STREET	0.03	1264	ASH LICK FORK	1.90
	B SHORT STREET	0.04	1265	COW BRANCH	0.30
	C WEST SIXTH STREET	0.10	1266	HEAD OF LONG FORK	0.30
	D NORTH WALNUT DRIVE	0.05	1267	CANE FORK	0.90
	E FIFTH STREET	0.20	1268	BIG CREEK - MOTLEY BRANCH	2.60
	F RIVER	0.23	1269	JONES FORK	1.80
	G FOURTH STREET	0.13	1270	MILLER FORK FEDS CREEK	0.60
	H WALNUT DRIVE	0.05	1271	LAUREL FORK FEDS CREEK	1.60
	J THIRD STREET	0.08	1272	HENRY BRANCH	0.60
	K SECOND STREET	0.11	1273	FEDS CREEK	4.70
	L FIRST STREET	0.33	1274	MOTLEY FORK	1.80
1206	COON BRANCH	1.00	1275	DRY FORK FEDS CREEK	0.50
1207	AIL BRANCH	0.20	1276	OLD TOONERVILLE - CONAWAY	0.50
1208	WARM HOLLOW	0.10	1277	STATE LINE BRANCH	0.10
1209	BOARD FORK	0.80	1278	HACKNEY CREEK	2.20
1210	HARTFIELD BRANCH	0.80	1279	TOONERVILLE HOLLOW	0.40
1211	DAIL BRANCH	1.50	1280	OLD TOONERVILLE - MOUTH CARD	1.90
1212	CAMP BRANCH	0.60	1281	LITTLE HACKNEY CREEK	3.90
1213	LEFT FORK BLACKBERRY CREEK	3.90	1282	OLD MOUTH CARD - FEDS CREEK	2.40
1214	DICKS KNOB	1.40	1283	FLANARAY BRANCH	1.20
1215	SENG CAMP BRANCH	1.00	1284	HORSE NARROWS BRANCH	1.30
1216	OLD HOUSE BRANCH	1.10	1285	CARD CREEK - CARD KNOB	4.60
1217	LEFT FORK OLDHOUSE BRANCH	0.40	1286	LITTLE CARD CREEK	1.40
1218	BLUE SPRING BRANCH	2.00	1287	ISLAND CREEK	1.70
1219	LITTLE BLUE SPRING BRANCH	0.40	1288	ISLAND CREEK - GRAPEVINE CREEK	3.60
1220	LONG FORK PETER BRANCH	0.60	1289	LEFT FORK ISLAND CREEK	0.90
1221	STAFFORD CEMETERY	2.00	1290	MILLERS CREEK	3.80
1222	WAD HILL	0.10			
1223	WALTER BEND	2.50			
1224	DAUGHERTY BRANCH	0.60			
1225	STREETS IN ENLARGEMENT NO. 5				
	A BACK STREET	0.31			
	B CREEK STREET	0.12			
	C FIRST STREET	0.06			
	D SECOND STREET	0.06			
	E THIRD STREET	0.06			
1226	HOPKINS	0.90			
1227	OLD SHOE HOLLOW	0.30			
1228	LEFT FORK BARRENSHEE CREEK	0.40			
1229	NICHOLAS FORK	0.40			
1230	BARRENSHEE CREEK	2.50			

QUADRANT III

Table with 4 columns: NO., ROAD NAME, LGTH., NO., ROAD NAME, LGTH. listing roads in Quadrant III.

QUADRANT

Table with 4 columns: NO., ROAD NAME, LGTH., NO., ROAD NAME, LGTH. listing roads in Quadrant.

IV

Table with 4 columns: NO., ROAD NAME, LGTH., NO., ROAD NAME, LGTH. listing roads in Quadrant IV.