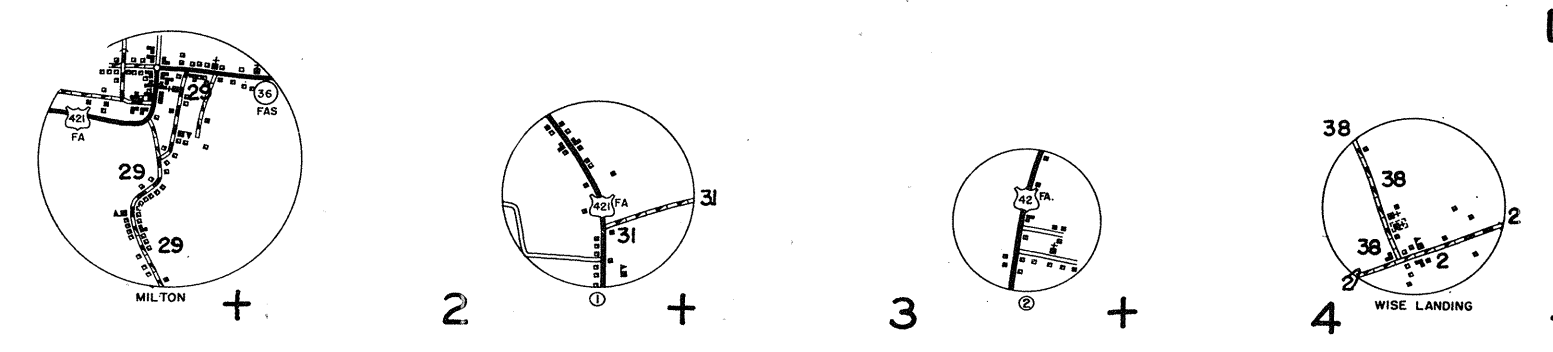
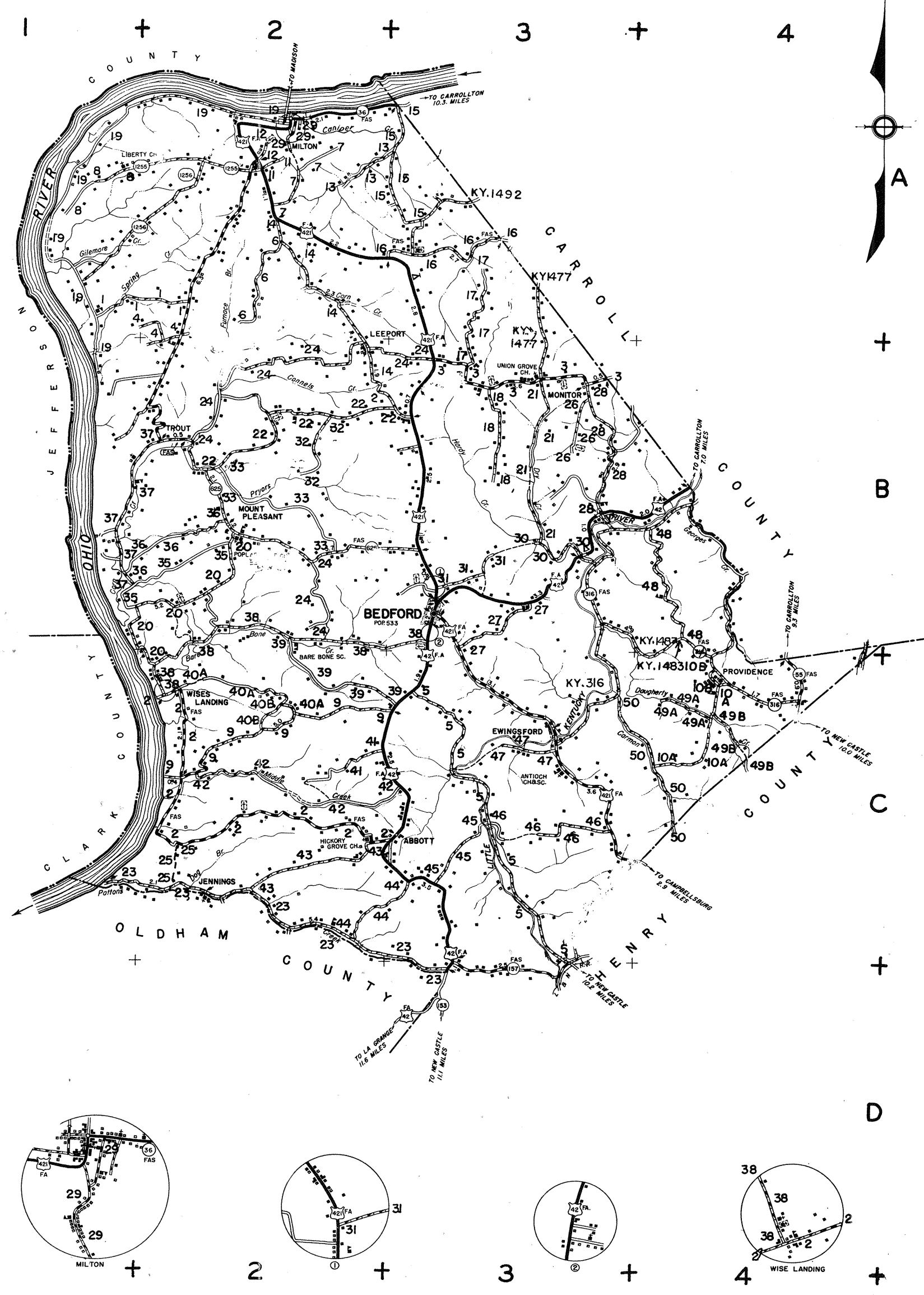


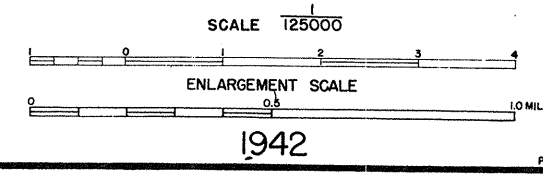
No.	NAME OF ROAD	LGTH.	LOG
1001	CAMPBELL	1.7	A1
1002	MORTON RIDGE	7.6	C2
1003	UNION	3.5	B3
1004	McINTIRE	0.8	A1
1005	SULPHUR	6.6	C3
1006	JOYCE	2.1	A2
1007	McCORD	1.6	A2
1008	LIBERTY SCHOOL	1.5	A1
1009	GILLS RIDGE	4.9	C2
1010A	PROVIDENCE-LOUDEN	2.5	C4
1010B	PROVIDENCE LOUDEN ROAD SPUR	0.3	C4
1011	SNIDER	0.5	A2
1012	MOFFIT	0.4	A2
1013	CANIP	1.1	A2
1014	BEDFORD	4.4	A2
1015	SPILLMAN LANE	2.5	A3
1016	MOOSER LANE	2.4	A3
1017	ABBOT LANE	2.1	A3
1018	FISHERS RIDGE	1.9	B3
1019	COOPERS BOTTOM	9.0	A2
1020	ODGEN	4.1	B2
1021	DYER FORK	3.2	B3
1022	NEW HOPE	4.6	B2
1023	PATTON'S CREEK	5.9	C2
1024	LEEPFORT	5.8	B2
1025	WRIGHT HILL	0.9	C1
1026	BELLS RIDGE	1.2	B3
1027	STARKS LANE	1.5	B3
1028	MILLERS BRANCH	2.5	B3
1029	MILTON SCHOOL	0.6	A2
1030	HARDY	1.	B3
1031	CUTSHAW LANE	1.2	B3
1032	ROWELLE LANE	1.2	B2
1033	PRYOR FORK	3.0	B2
1034	POPLAR RIDGE	1.6	B2
1035	WENTWORTH	2.8	B2
1036	CONNERS	2.1	B2
1037	CORN CREEK	3.1	B2
1038	BEAR BONE	6.0	B2
1039	PERKISON	2.5	C2
1040A	BRAY	2.0	C2
1040B	BRAY	0.6	C2
1041	STAPLES	1.5	C2
1042	MIDDLE CREEK	4.1	C2
1043	BRIDWELL	2.5	C2
1044	BURROWS	1.5	C2
1045	LOGAN PIKE	1.3	C3
1046	WEBB	2.3	C3
1047	CHANDLER	2.0	C3
1048	BUCK CREEK	2.4	C3
1049A	DAUGHERTY	1.0	C3
1049B	DAUGHERTY	0.6	C3
1050	CARMON	3.8	C4

- LEGEND**
- UNITED STATES HIGHWAY
 - STATE HIGHWAY SYSTEM
 - STATE BOUNDARY
 - COUNTY BOUNDARY
 - CORPORATE LINES
 - NATIONAL PARK, STATE PARK
 - NATIONAL FOREST, STATE FOREST
 - INTERMITTENT STREAMS
 - MAJOR STREAMS
 - WIDE STREAMS
 - NAVIGABLE STREAMS
 - HEAD OF NAVIGATION (LARGE STREAMS)
 - DRAINAGE DITCH
 - FREE FERRY
 - TOLL FERRY
 - HIGHWAY TUNNEL
 - LEVEE
 - LEVEE WITH ROAD
 - FORD
 - COUNTY SEAT
 - OTHER CITIES & VILLAGES
 - PROMINENT ELEVATIONS
 - AIR ROUTES
 - MARSH
 - HIGHWAY BRIDGE
 - DAM
 - DAM WITH LOCK SMALL
 - DAM WITH LOCK LARGE
 - RESERVOIR, POND OR LAKE
 - MONUMENT SMALL
 - GOLF COURSE OR COUNTRY CLUB
 - SMALL FARMS
 - FAIR GROUNDS, RACE COURSES, SPEEDWAYS
 - CEMETERY
 - CHURCH WITH CEMETERY ADJACENT
- IN USE NOT IN USE**
- FARM UNIT
 - DWELLINGS (OTHER THAN FARM)
 - ROSES OR GROUPS OF DWELLINGS CLOSELY SPACED
 - STONE OR SMALL BUSINESS ESTABLISHMENT
 - COMBINED DWELLING AND STORE
 - HOTEL
 - CHURCH, OTHER RELIGIOUS INSTITUTIONS
 - SCHOOL, HOUSE, OTHER EDUCATIONAL INSTITUTIONS
 - HOSPITALS
 - FACTORY OR INDUSTRIAL PLANT
 - SEASONAL OR SUMMER COLONY DWELLINGS
 - SEASONAL DWELLINGS CLOSELY SPACED
 - CCC CAMP
 - ARMY REARON LIGHT
 - ARMY, NAVY OR MARINE CORPS FIELD
 - DEPARTMENT OF COMMERCE INTERMEDIATE FIELD
 - COMMERCIAL OR MUNICIPAL FIELD
 - MARKED AIRLIFTING FIELD
 - AIRPORT HOUSING FACILITIES
 - AIRPLANE LANDING FIELD MARKED OR EMERGENCY
 - SAMMILL (STATIONARY)
 - QUARRY OR GRAVEL PIT
 - MINE
 - OIL OR GAS WELLS
 - TANKS
 - POWER PLANT
 - TORNAIL, GRANGE OR COMMUNITY HALL
 - FOREST SERVICE LOOKOUT STATION
 - GASOLINE OR PUMPING STATION
 - MUNICIPAL GARAGE OR RUBBISH DUMPS
 - STATE ROAD GARAGE
 - SEASONAL INDUSTRY (CANNERY OR SMALL GRAIN MILL)
 - FRESH AIR FARMS OR REST HOMES
 - LODGING FARM
 - CORRECTIONAL INSTITUTION
 - RADIO STATION
 - CAMP GROUND
 - TOURIST CAMP
 - MUNICIPAL PARK
 - PLAYGROUNDS, BALL FIELDS ETC.
 - BATHING BEACHES
 - SCENIC SITES
 - GAME FARMS
 - GAME PRESERVES
 - RAILROAD (DAY NUMBER TRACKS) USED BY SINGLE OPERATING COMPANY
 - RAILROAD STATION
 - RAILROAD GRADE CROSSING
 - RAILROAD ABOVE
 - RAILROAD BELOW
 - RAILROAD TUNNEL
- ROAD TYPES**
- TRAIL
 - PRIMITIVE ROAD
 - UNIMPROVED ROAD
 - GRADE AND DRAINED ROAD
 - SOIL SURFACE ROAD (MINE WASTE)
 - CONCRETE OR METAL SURFACED ROAD
 - LOW TYPE BITUMINOUS ROAD
 - PAVED ROAD
 - MILEAGE INDICATED



**1955
RURAL HIGHWAY SERIES
TRIMBLE COUNTY
KENTUCKY**

PREPARED BY THE
KENTUCKY DEPARTMENT OF HIGHWAYS
IN COOPERATION WITH THE
FEDERAL WORKS AGENCY
PUBLIC ROADS ADMINISTRATION
DATA OBTAINED FROM
STATE-WIDE HIGHWAY PLANNING SURVEY



REVISIONS	SURV. TYPES
1-1-53	1-1-53
1-1-54	1-1-54
1-1-55	1-1-55
1-1-57	1-1-57
1-1-50	1-1-50
POPULATION 1950	
SURV. TYPES 10-54	