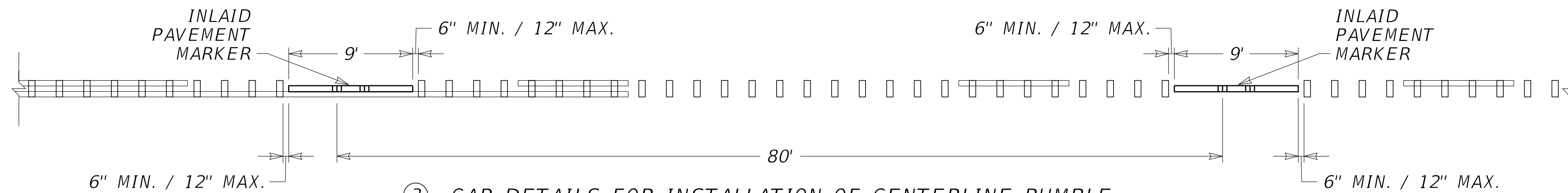
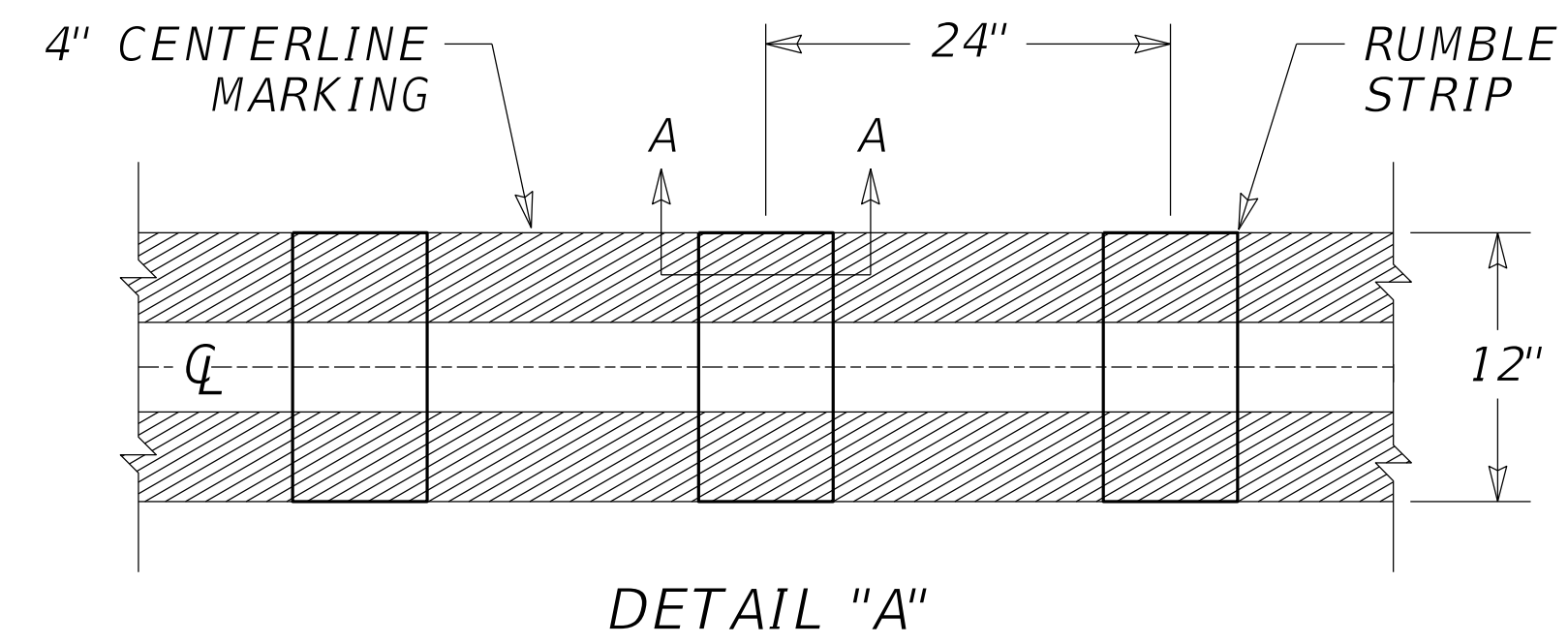
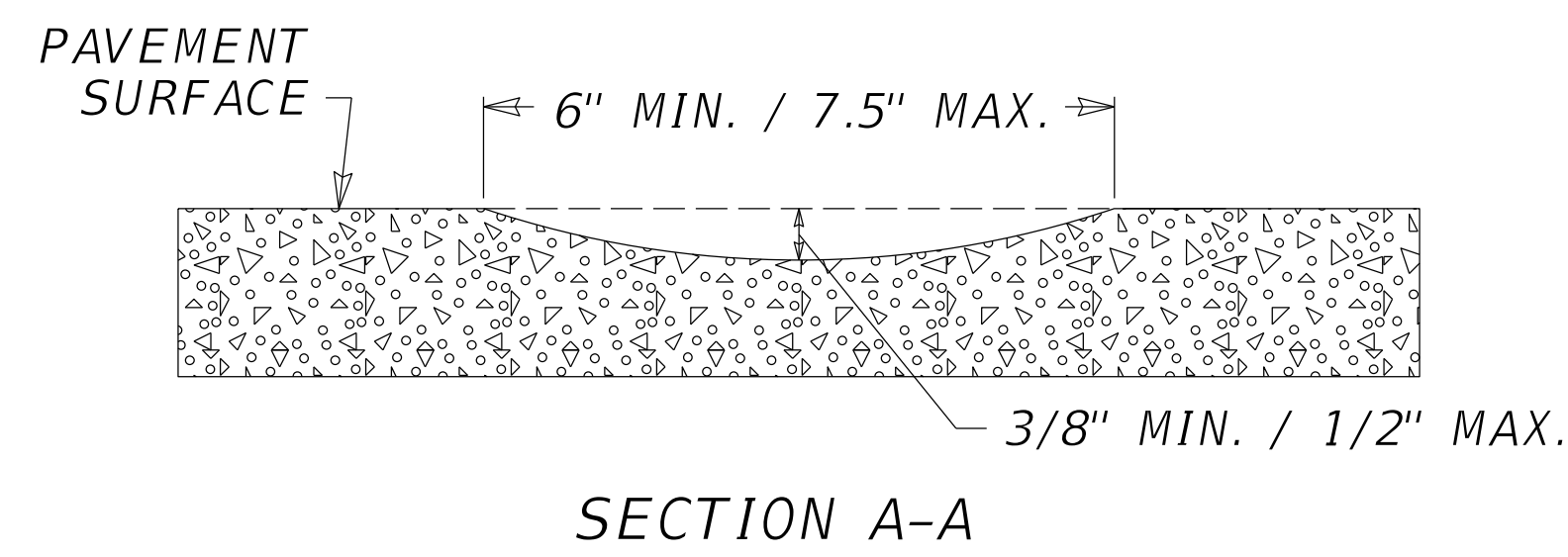
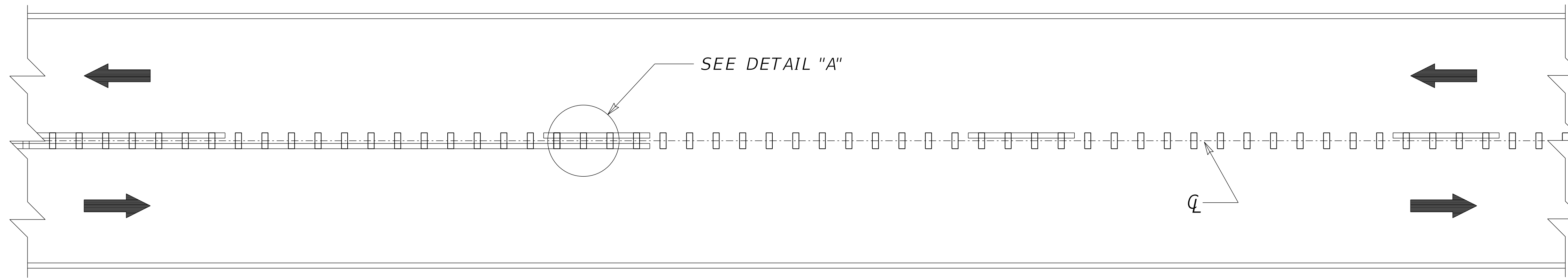


PLAN VIEW



③ GAP DETAILS FOR INSTALLATION OF CENTERLINE RUMBLE STRIPS IN CONJUNCTION WITH INLAID PAVEMENT MARKERS

~ NOTES ~

1. DISTANCES SHOWN ARE APPROXIMATE. MAINTAIN RUMBLE STRIP DIMENSIONS AND SPACING AS MUCH AS POSSIBLE.
2. CENTERLINE RUMBLE STRIPS SHALL BE INSTALLED IN LINE WITH THE CENTER OF THE ROADWAY AS MUCH AS POSSIBLE.
- ③ FOR ROADWAYS WHERE BOTH INLAID PAVEMENT MARKERS AND CENTERLINE RUMBLE STRIPS ARE TO BE INSTALLED, DISCONTINUE THE CENTERLINE RUMBLE STRIPS 6" MIN. / 12" MAX. BEFORE AND AFTER THE GROOVE FOR EACH INLAID PAVEMENT MARKER. INSTALL AS MANY RUMBLE STRIPS AS POSSIBLE BETWEEN ADJACENT PAVEMENT MARKERS WHILE MAINTAINING THE 24" CYCLE.
4. DO NOT INSTALL CENTERLINE RUMBLE STRIPS IN AREAS INDICATED ON TPR-100 .
5. CENTERLINE RUMBLE STRIPS SHOULD BE OMITTED WHERE THE POSTED SPEED LIMIT IS 45 MPH OR LESS, OR WHERE LANE WIDTHS ARE LESS THAN 11 FT.

BID ITEM AND UNIT TO BID
CENTERLINE RUMBLE STRIPS

LF

DRAWING NOT TO SCALE

USE WITH CUR. STD. DWGS.
TPR-100, TPR-120, AND
TPR-125

SUBMITTED 
DIVISION DIRECTOR

08-21-2023
DATE



COMMONWEALTH OF KENTUCKY
DEPARTMENT OF HIGHWAYS

DRAWING TITLE: SEPIA 026 - CENTERLINE RUMBLE STRIPS 4 INCH STRIPING

ITEM NO. COUNTY OF

SHEET NO.