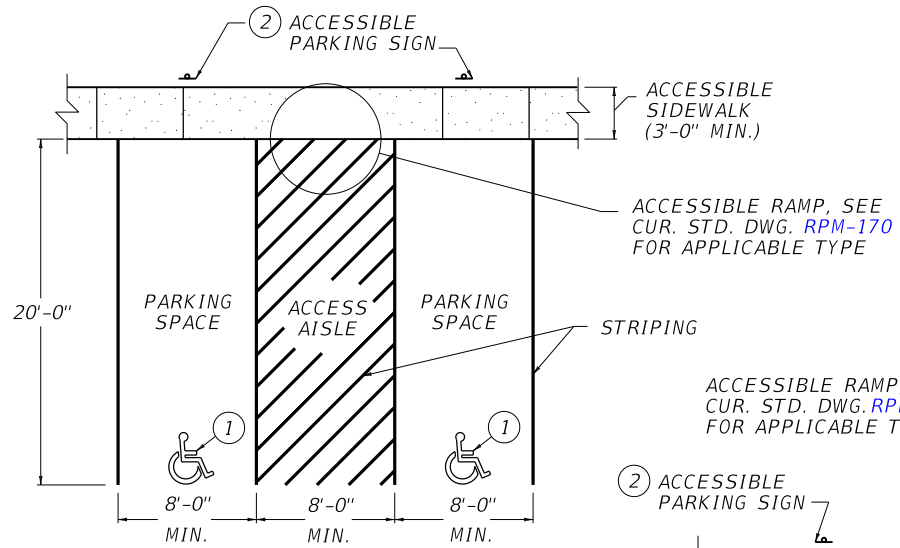
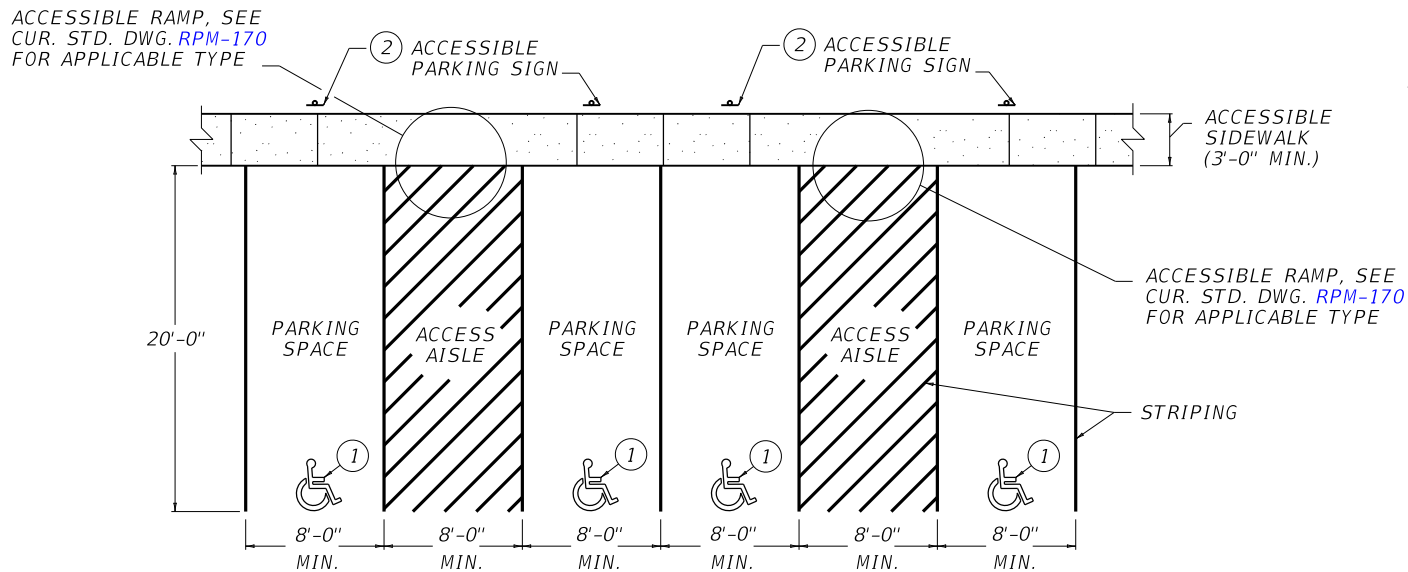


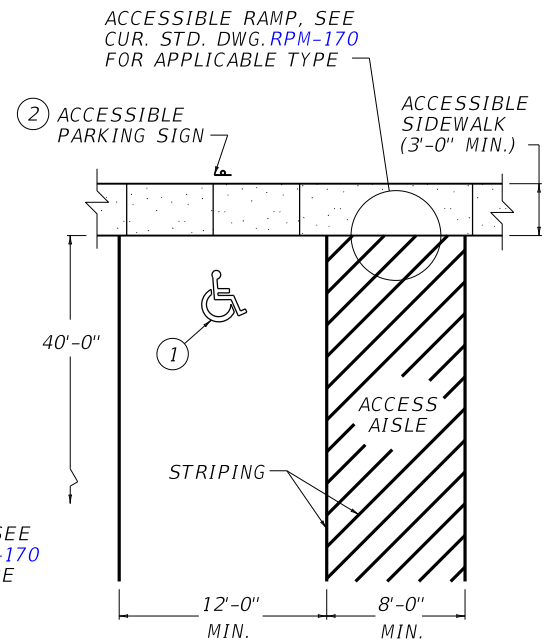
PLAN VIEW OF ONE ACCESSIBLE PARKING SPACE



PLAN VIEW OF TWO ACCESSIBLE PARKING SPACES



PLAN VIEW OF MULTIPLE ACCESSIBLE PARKING SPACES



PLAN VIEW OF BUS ACCESSIBLE PARKING SPACE

~ NOTES ~

- ① INTERNATIONAL SYMBOL OF ACCESSIBILITY.
- ② INTERNATIONAL SYMBOL OF ACCESSIBILITY WITH "VAN ACCESSIBLE" SIGN MOUNTED BELOW.
3. SEE ELSEWHERE IN THE PLANS FOR APPLICABLE ACCESSIBLE SIGNING DETAILS.
4. SEE ELSEWHERE IN THE PLANS FOR STRIPING DETAILS.

USE WITH CUR. STD. DWG. RPM-170

KENTUCKY DEPARTMENT OF HIGHWAYS	
ACCESSIBLE PARKING SPACE DETAILS	
STANDARD DRAWING NO. RPX-100-03	
SUBMITTED <i>[Signature]</i> DATE 12-01-15	DESIGNED BY <i>[Signature]</i> DATE 12-01-15
APPROVED <i>[Signature]</i> STATE HIGHWAY ENGINEER	DATE 12-01-15