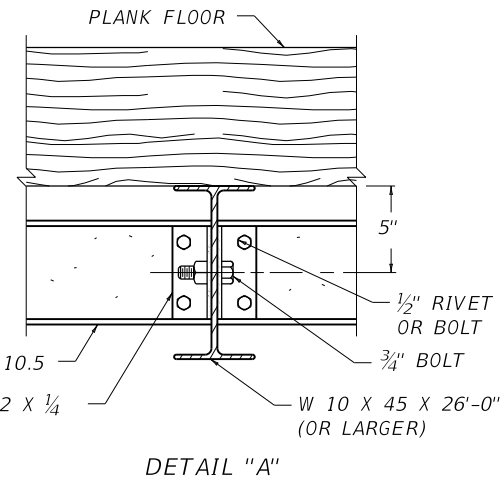
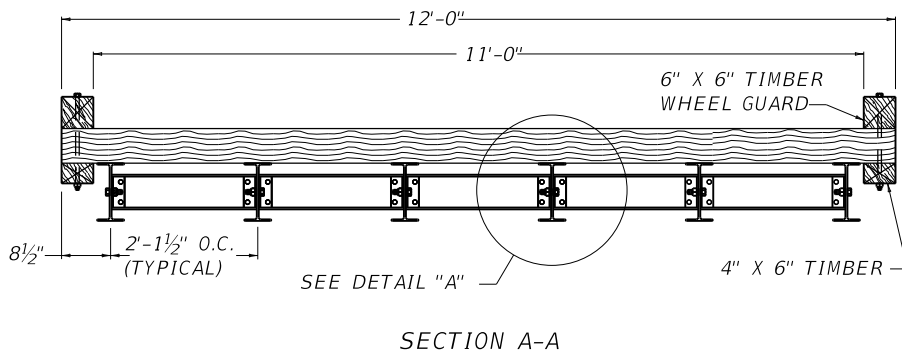
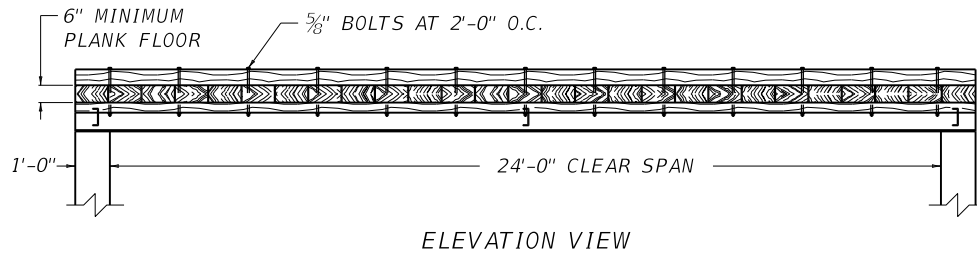
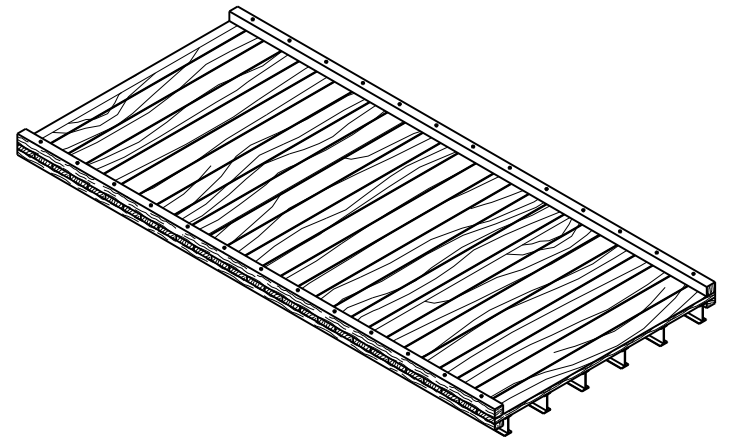
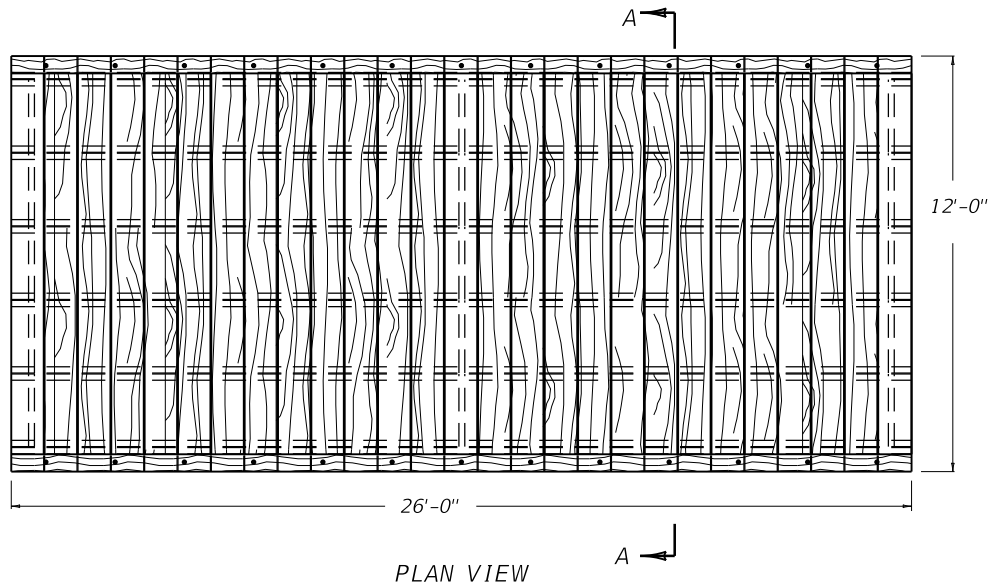


~ NOTES ~

BID ITEM AND UNIT TO BID
TEMPORARY BRIDGE EACH

1. TYPES OF TEMPORARY BRIDGES AND PAVEMENT CROSSOVERS, OTHER THAN THE I-BEAM BRIDGE SHOWN HERE, WILL BE ACCEPTABLE UPON APPROVAL BY THE DEPARTMENT.
2. UNLESS OTHERWISE SPECIFIED THE STRUCTURE SHALL BE DESIGNED FOR AN HS20-44 LOADING.
3. STRUCTURE TO REMAIN THE PROPERTY OF THE CONTRACTOR.



KENTUCKY
DEPARTMENT OF HIGHWAYS
TEMPORARY BRIDGE
OR
PAVEMENT CROSSOVER

STANDARD DRAWING NO. RGX-003-03

SUBMITTED *[Signature]* 12-01-15
DIRECTOR OF DESIGN DATE

APPROVED *[Signature]* 12-01-15
STATE HIGHWAY ENGINEER DATE