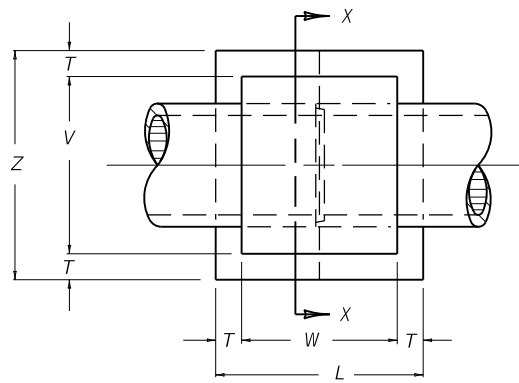
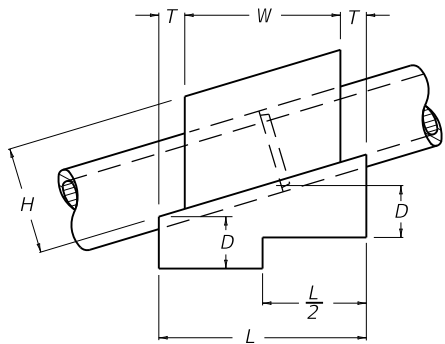


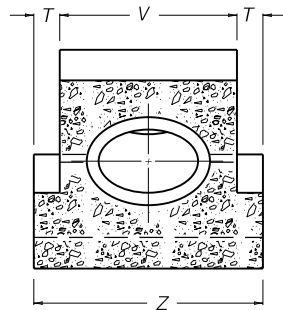
~INTERMEDIATE ANCHOR~



PLAN VIEW

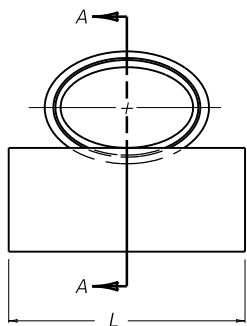


ELEVATION

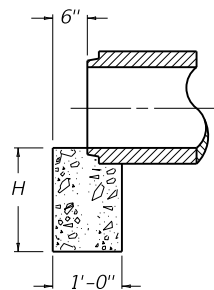


SECTION X-X

~END ANCHOR~



END ELEVATION



SECTION A-A

BID ITEM AND UNIT TO BID
CONCRETE-CLASS "A"

~ NOTES ~

CUYD

1. THE UNIT PRICE BID PER CU. YD. FOR CLASS "A" CONCRETE SHALL INCLUDE ALL FORMS, MATERIALS, LABOR, AND ALL OTHER INCIDENTALS NECESSARY TO COMPLETE THE WORK.
2. THE VOLUME DISPLACED BY BARREL OF PIPE HAS BEEN COMPUTED USING DIMENSION OF PIPE.
3. FOR GRADE BREAKS IN PIPE, USE AVERAGE GRADE TO CALCULATE VOLUMES.

INTERMEDIATE ANCHOR FOR PIPE

NON-CIRCULAR PIPE: EQUIVALENT ROUND SIZES

VOLUME IN CU. YDS. OF CLASS "A" CONCRETE FOR ONE ANCHOR	% GRADE	15"	18"	24"	27"	30"	33"	36"	39"	42"	48"	54"	60"
	0	.98	1.22	1.80	2.18	2.57	2.98	3.54	4.60	6.65	8.04	10.66	8.23
10	1.08	1.27	1.88	2.28	2.69	3.12	3.70	4.83	6.86	8.42	11.20	9.20	
20	1.16	1.32	1.95	2.36	2.80	3.25	3.85	5.04	7.13	8.77	11.70	10.00	
30	1.24	1.36	2.02	2.44	2.90	3.37	3.99	5.23	7.39	9.10	12.16	10.72	
40	1.32	1.40	2.08	2.53	2.99	3.47	4.12	5.41	7.69	9.39	12.59	11.37	
50	1.40	1.45	2.14	2.60	3.08	3.58	4.23	5.57	7.84	9.67	12.97	11.94	
60	1.42	1.49	2.20	2.67	3.14	3.67	4.34	5.72	8.05	9.92	13.33	12.47	
70	1.47	1.53	2.26	2.72	3.24	3.76	4.44	5.86	8.24	10.16	13.67	12.94	
80	1.51	1.57	2.31	2.76	3.31	3.84	4.53	5.99	8.41	10.38	13.98	13.37	
90	1.54	1.60	2.37	2.83	3.39	3.92	4.62	6.12	8.58	10.58	14.27	13.75	
100	1.58	1.64	2.42	2.92	3.45	4.00	4.70	6.23	8.74	10.78	14.54	14.11	

DIMENSIONS	L	3'-9"	4'-0"	4'-7"	4'-11"	5'-3"	5'-6"	5'-10"	6'-6"	7'-2"	7'-8"	9'-2"	9'-10"
	W	2'-9"	3'-0"	3'-7"	3'-11"	4'-3"	4'-6"	4'-10"	5'-4"	5'-10"	6'-4"	7'-8"	7'-6"
	H	1'-9"	2'-2"	2'-7"	2'-10"	3'-2"	3'-3"	3'-6"	3'-9"	4'-2"	4'-4"	4'-9"	5'-4"
	D	1'-0"						1'-6"					
	V	3'-0"	3'-5"	4'-1"	4'-5"	4'-10"	5'-2"	5'-6"	6'-1"	6'-7"	7'-3"	8'-2"	7'-6"
	T	6"								7"	8"	9"	8"
	Z	4'-0"	4'-5"	5'-1"	5'-5"	5'-10"	6'-2"	6'-6"	7'-3"	7'-11"	8'-7"	9'-8"	8'-10"

END ANCHOR FOR PIPE OUTLET

(CLASS "A" CONCRETE)

DIMENSIONS	L	3'-0"	3'-5"	4'-1"	4'-5"	4'-10"	5'-2"	5'-6"	6'-0"	6'-6"	7'-2"	7'-10"	7'-10"	
	H ON EARTH	1'-6"									2'-0"			
	H ON ROCK	1'-0"												

VOLUME CU. YDS. (ONE ANCHOR)	EARTH	0.17	0.19	0.23	0.25	0.27	0.29	0.31	0.33	0.48	0.53	0.58	0.58
	ROCK	0.11	0.13	0.15	0.16	0.18	0.19	0.20	0.22	0.24	0.27	0.29	0.29

KENTUCKY
DEPARTMENT OF HIGHWAYS

INTERMEDIATE AND
END ANCHORS FOR
NON-CIRCULAR PIPE

STANDARD DRAWING NO. RDX-065-04

SUBMITTED	<i>[Signature]</i>	12-01-15
DIRECTOR	DEPARTMENT OF DESIGN	DATE
APPROVED	<i>[Signature]</i>	12-01-15
STATE HIGHWAY ENGINEER		DATE