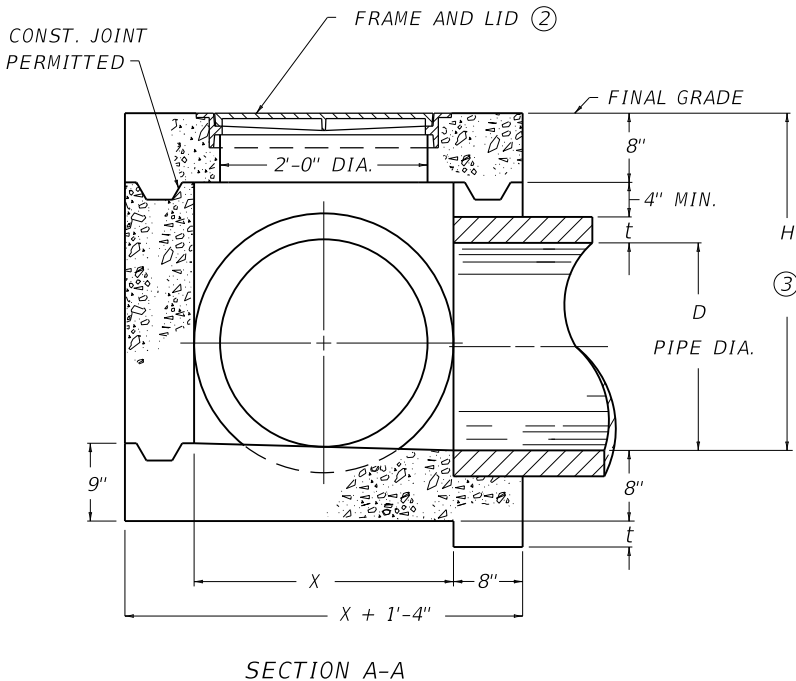
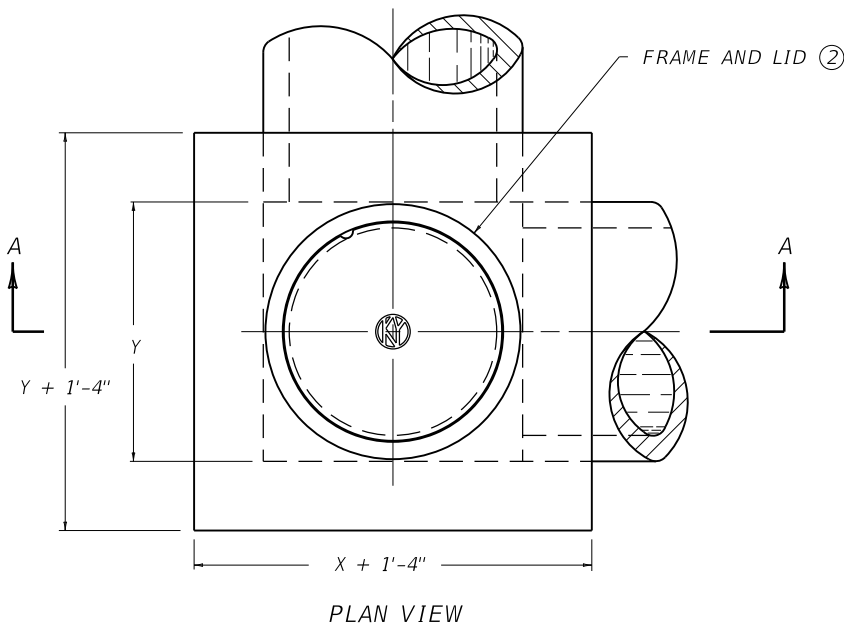


~ NOTES ~



BID ITEM AND UNIT TO BID
JUNCTION BOX TYPE B (★)

EACH

(★) = "1" (FRAME AND LID TYPE 1)
(★) = "2" (FRAME AND LID TYPE 2)

1. THE CONTRACT UNIT PRICE EACH SHALL INCLUDE PAYMENT IN FULL FOR EXCAVATION, LABOR, FRAME AND LID, CONCRETE, AND ALL OTHER INCIDENTALS NECESSARY TO COMPLETE THE WORK.
- ② WHEN THIS BOX IS TO BE USED IN NON-VEHICULAR TRAFFIC AREAS SEE CUR. STD. DWG. RDM-100 "FRAME AND LID TYPE 1". WHEN THIS BOX IS TO BE USED IN VEHICULAR TRAFFIC AREAS SEE CUR. STD. DWG. RDM-105 "FRAME AND LID TYPE 2".
- ③ THE MAXIMUM DEPTH OF THE BOX FROM FINAL GRADE TO FLOW LINE OF PIPE SHALL BE 8'-0". ANY BOXES DEEPER THAN 8'-0" SHALL BE SPECIFICALLY DESIGNED.
- ④ BASED ON "H" AS EQUAL TO $D + t + 1'-0"$.
- ⑤ "Q" = CUBIC YARDS OF CONCRETE PER FOOT INCREASE OR DECREASE WHEN "H" VARIES FROM $D + t + 1'-0"$.
6. NO DEDUCTIONS HAVE BEEN MADE FOR PIPE, SEE REFERENCE CHART FOR QUANTITIES TO DEDUCT.
7. THE DIMENSIONS AND QUANTITIES HAVE BEEN CALCULATED FOR ROUND CONCRETE PIPE. WHEN NON-CIRCULAR PIPE IS USED THE BOX SIZE SHALL BE DETERMINED BY THE CONTROLLING DIMENSIONS OF THE PIPE.
8. FOR THIS APPLICATION THE "X" DIMENSION IS ASSUMED TO BE EQUAL TO OR GREATER THAN THE "Y" DIMENSION.
9. THE BOX SIZE NUMBER IS TO BE SHOWN ON THE PLANS AND SHALL BE DETERMINED BY THE LARGEST PIPE IN THE "X" AND "Y" DIMENSION.

DIMENSIONS & ESTIMATE OF QUANTITIES

INLET SIZE NO.	PIPE		④		CONCRETE	
	X	Y	MAX. DIA.	H	CU. YDS.	⑤ Q
1	2'-0"	2'-0"	12"	2'-2"	0.91	0.3
2			15"	2'-5"	0.98	
3			18"	2'-9"	1.05	
4	2'-6"	2'-6"	21"	3'-0"	1.27	
5			24"	3'-3"	1.43	
6			2'-0"	2'-0"	1.36	
7			2'-6"	2'-6"	1.52	

REFERENCE CHART			
DIA. OF PIPE	JUNCTION BOX		CONCRETE TO DEDUCT FOR EACH PIPE CU. YDS.
	PIPE ON "X" SIDE OF BOX	PIPE ON "Y" SIDE OF BOX	
0			---
12"	2'-0"	2'-0"	0.1
15"-18"			
21"-24"	2'-6"	2'-6"	

USE WITH CUR. STD. DWGS.
RDM-100 RDM-105

KENTUCKY DEPARTMENT OF HIGHWAYS	
JUNCTION BOX TYPE B★	
STANDARD DRAWING NO. RDX-005-03	
SUBMITTED <i>[Signature]</i>	12-01-15
DIRECTOR OF DESIGN	DATE
APPROVED <i>[Signature]</i>	12-01-15
STATE HIGHWAY ENGINEER	DATE