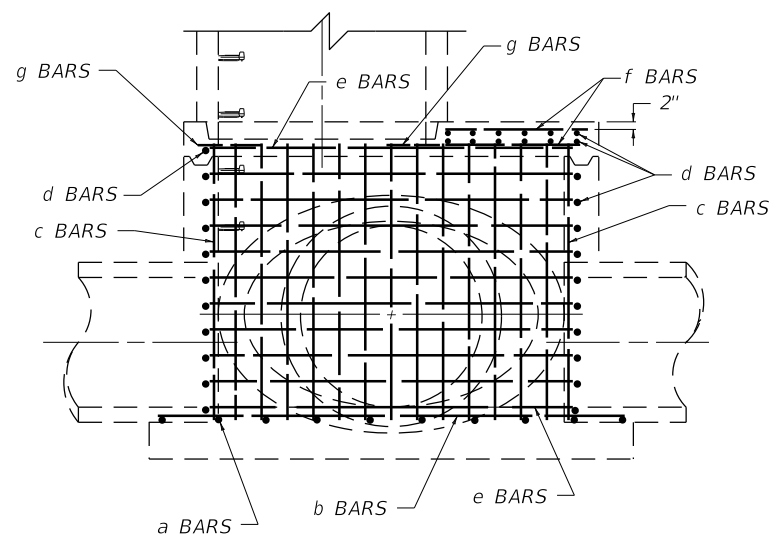


PLAN VIEW



SECTION A-A

~ NOTES ~

1. PLACE ALL STEEL REINFORCEMENT 2" FROM INSIDE OF CHAMBER WALL EXCEPT WHERE OTHERWISE SPECIFIED.
2. ALL a AND b BARS SPACED 1'-0" ON CENTER.
3. ALL c, d, e, AND f BARS SPACED 6" ON CENTER.

USE WITH CUR. STD. DWGS.
RDM-010 RDM-011 RDM-013

KENTUCKY
DEPARTMENT OF HIGHWAYS

MANHOLE TYPE C
(STEEL PATTERN)

STANDARD DRAWING NO. RDM-012-03

SUBMITTED	<i>[Signature]</i>	12-01-15
	DIRECTOR, BUREAU OF DESIGN	DATE
APPROVED	<i>[Signature]</i>	12-01-15
	STATE HIGHWAY ENGINEER	DATE