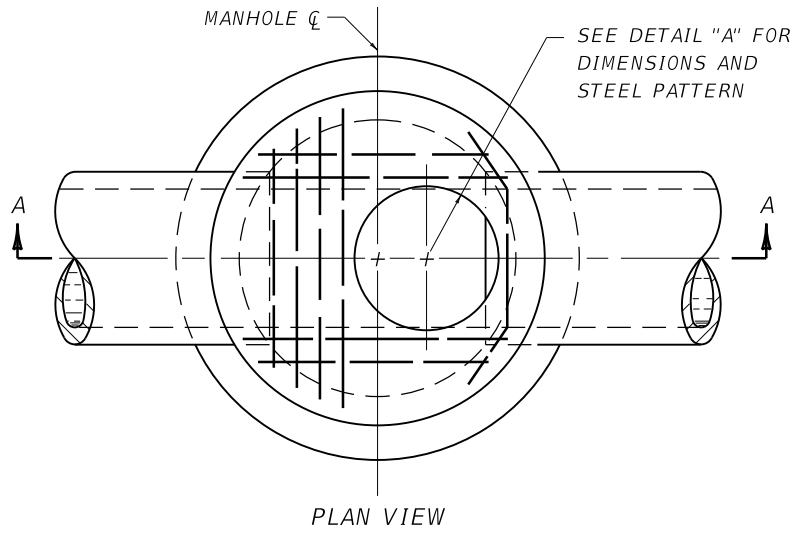


~ NOTES ~

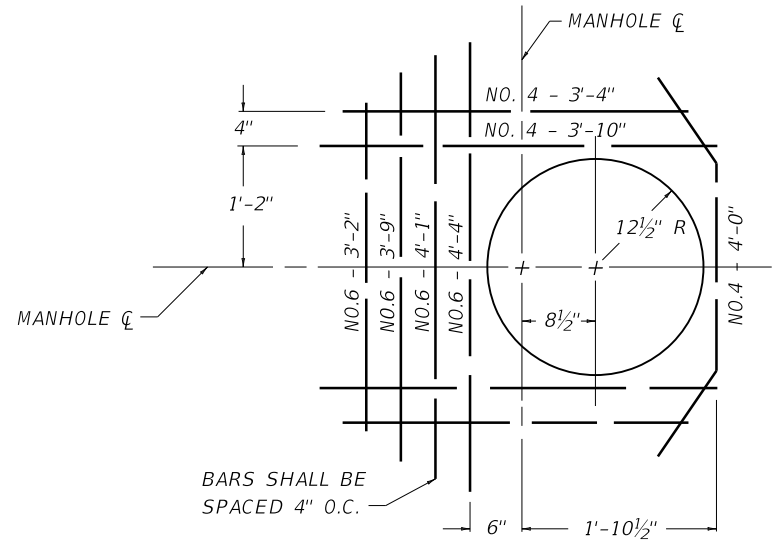
BID ITEM AND UNIT TO BID
MANHOLE TYPE A

EACH

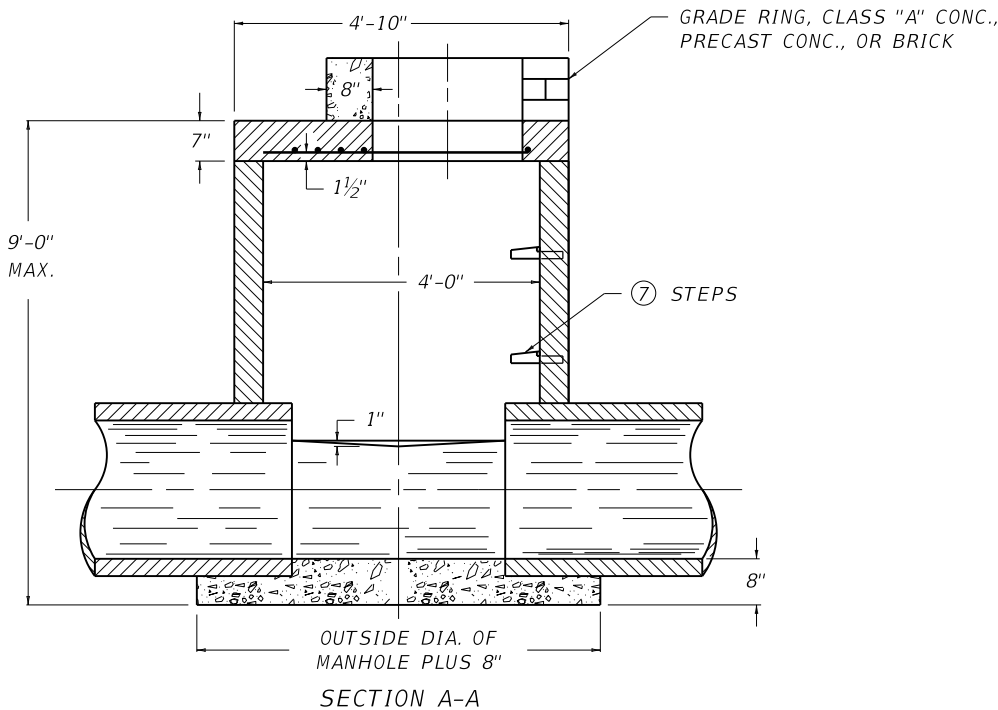
1. SEE CUR. STD. DWG. [RDM-105](#) FOR CASTINGS TO BE USED IN TRAFFIC AREAS AND CUR. STD. DWG. [RDM-100](#) FOR CASTINGS TO BE USED IN NON-TRAFFIC AREAS.
2. THE RISER SECTION MAY BE PRECAST CONCRETE PIPE OR CAST-IN-PLACE CONCRETE. A CONCENTRIC CAST-IN-PLACE CONE OR PRECAST CONCRETE CONE MAY BE PERMITTED, PROVIDED HEIGHT LIMITATIONS WOULD PERMIT.
3. THE MAXIMUM SIZE OF INTERCEPTED PIPE SHALL BE 27".
4. COVER OVER HIGHEST PIPE, EXCLUSIVE OF PAVEMENT, SHALL BE 2'-0".
5. CAST-IN-PLACE CONCRETE MANHOLES SHALL HAVE 8" THICK WALLS.
6. SEE PROPOSAL NOTES OR STANDARD SPECIFICATIONS FOR ADDITIONAL REQUIREMENTS.
- ⑦ SEE CUR. STD. DWG. [RDM-055](#) FOR STEP TYPE, SPACING AND DETAIL.



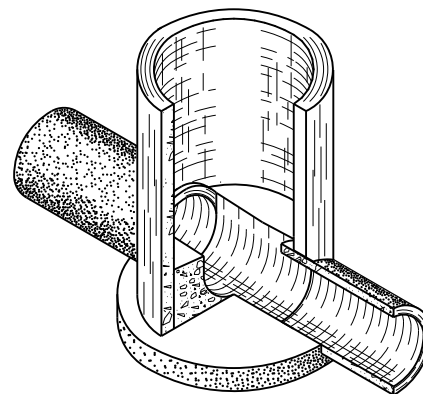
PLAN VIEW



DETAIL "A"
DIMENSIONS AND
STEEL PATTERN



SECTION A-A



ISOMETRIC OF BASE

USE WITH CUR. STD. DWGS.
[RDM-055](#) [RDM-100](#) [RDM-105](#)

KENTUCKY
DEPARTMENT OF HIGHWAYS

MANHOLE
TYPE A

STANDARD DRAWING NO. [RDM-001-07](#)

SUBMITTED	<i>[Signature]</i>	12-01-15
DESIGNED BY	DATE OF DESIGN	DATE
APPROVED	<i>[Signature]</i>	12-01-15
STATE HIGHWAY ENGINEER	DATE	DATE