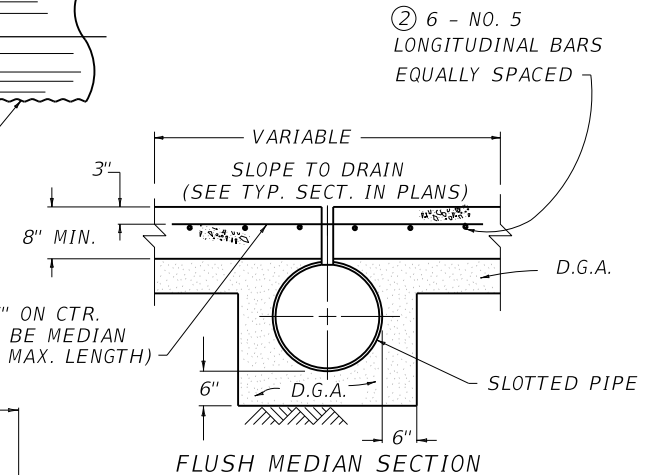
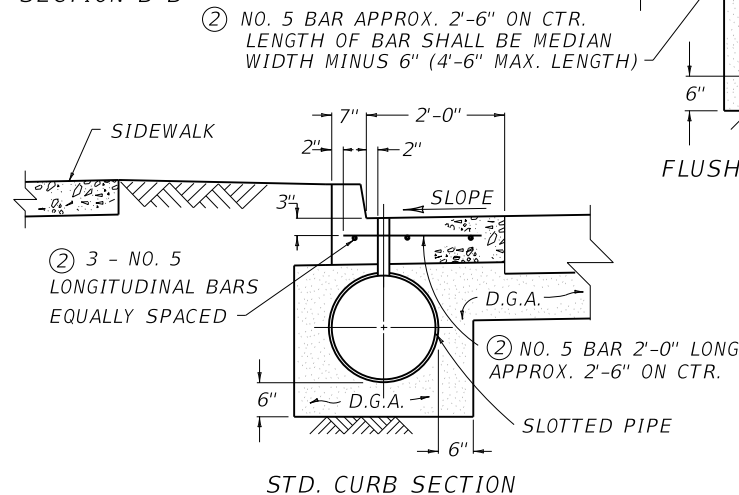
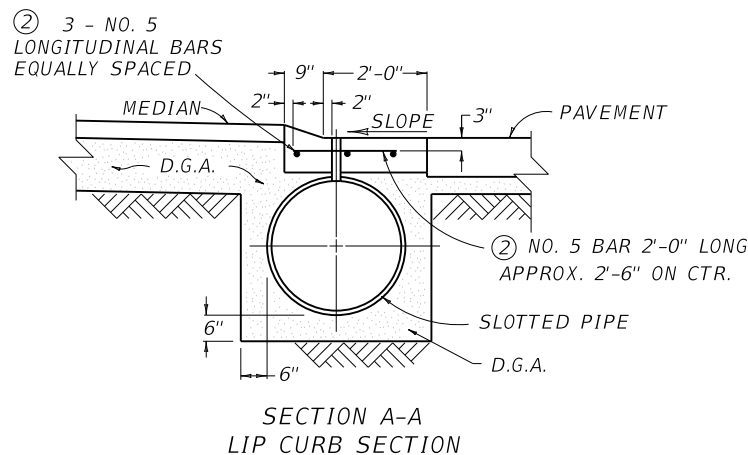
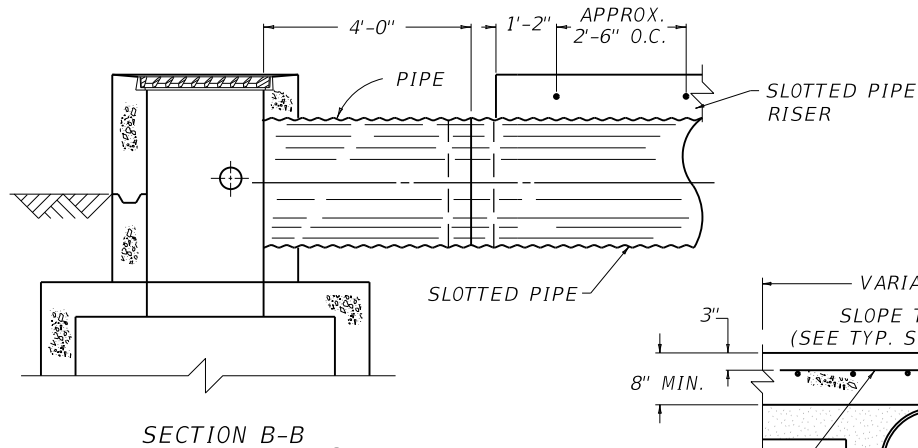
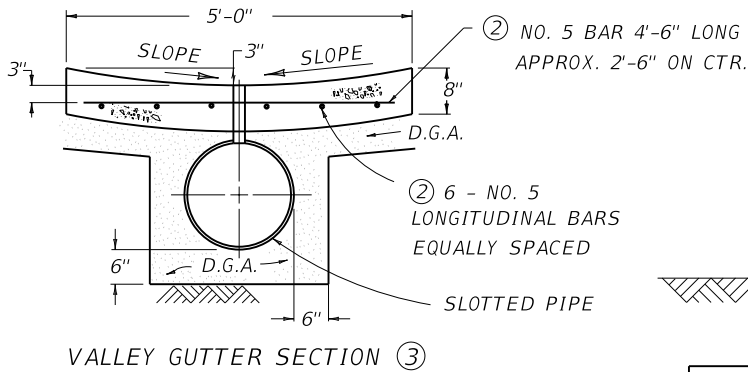


- ~ NOTES ~
- BID ITEMS AND UNIT TO BID
 SLOTTED DRAIN PIPE LF
 DROP BOX INLET TYPE 10 EACH
 VALLEY GUTTER LF
- THE CAP SHALL BE A STANDARD MANUFACTURED ITEM FURNISHED BY THE PIPE SUPPLIER.
 - ALL REINFORCING STEEL SHALL BE INCLUDED IN THE CONTRACT UNIT PRICE PER LINEAR FOOT OF SLOTTED DRAIN PIPE. ALL REINFORCING STEEL SHALL BE EPOXY COATED IN ACCORDANCE WITH THE DEPARTMENT'S STANDARD SPECIFICATIONS.
 - USE DROP BOX INLET TYPE 10 WITH VALLEY GUTTER (LIMITED TO 24" METAL PIPE SIZE).
 - EXTEND LONGITUDINAL BAR APPROXIMATELY 1'-6" PAST END OF SLOTTED DRAIN PIPE.
 - MINIMUM THROAT DEPTH FOR SLOTTED DRAIN PIPE SHALL BE 10".



USE WITH CUR. STD. DWGS.:
 RDB-014 RDB-030 RDB-031
 RDB-032 RDB-033 RDB-034
 RDB-035

KENTUCKY DEPARTMENT OF HIGHWAYS	
SLOTTED DRAIN PIPE (DETAIL SHEET)	
STANDARD DRAWING NO. RD1-200-05	
SUBMITTED	12-01-15
DESIGNED BY	DATE
APPROVED	12-01-15
STATE HIGHWAY ENGINEER	DATE