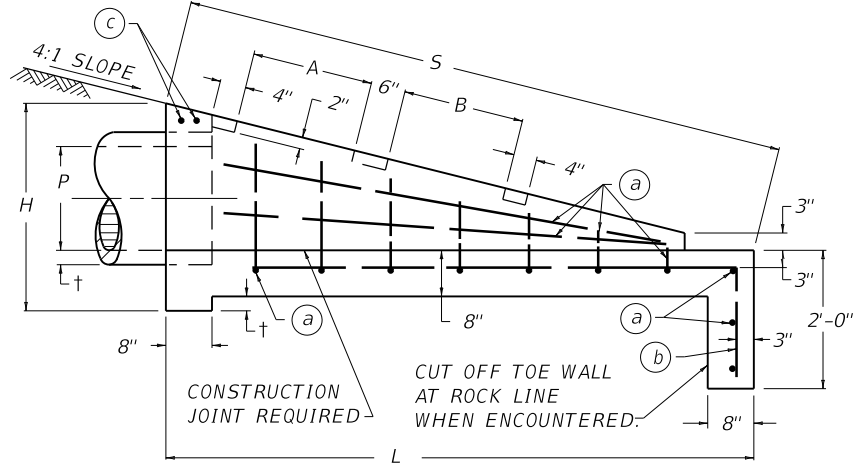
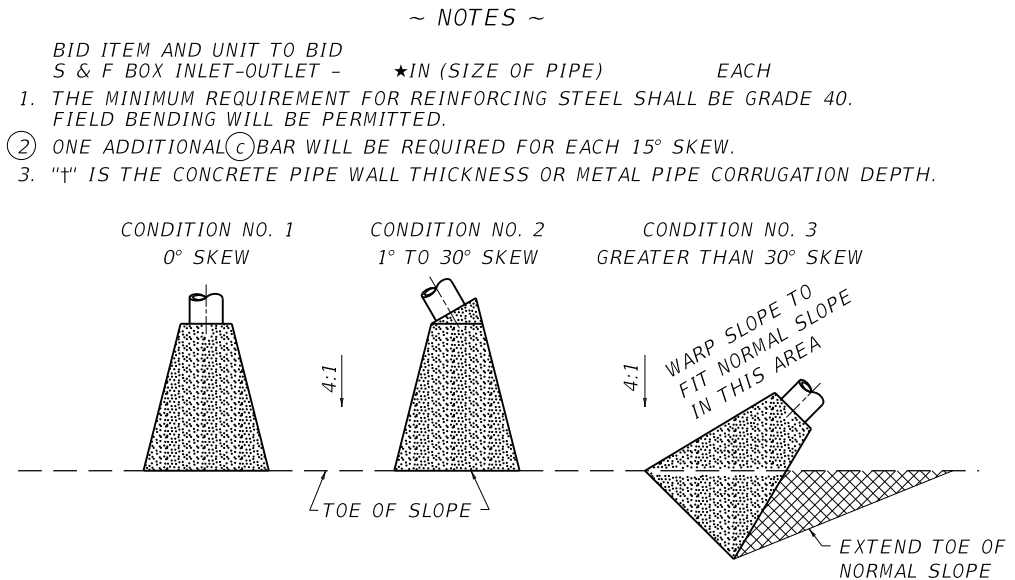


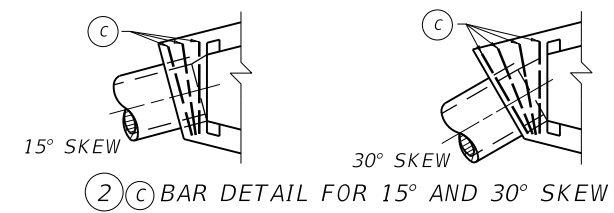
PLAN VIEW



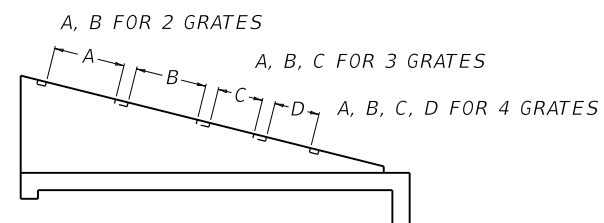
ELEVATION VIEW



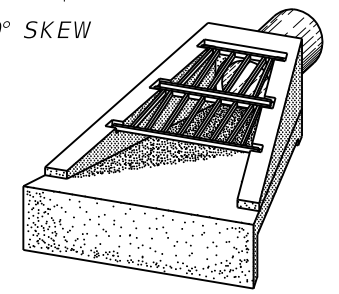
PLAN VIEW OF STRUCTURE LOCATIONS



2 (C) BAR DETAIL FOR 15° AND 30° SKEW



DETAIL SHOWING LOCATION OF SLOTS FOR GRATES



PICTORIAL VIEW OF 18" OR 24" STRUCTURE

USE WITH CUR. STD. DWG. RDB-106

DIMENSIONS										
P	H	L	S	R	V	W	A	B	C	D
18"	3'-0"	8'-6"	8'-9 1/8"	2'-11 1/2"	3'-7 1/2"	7'-3"	1'-9"	1'-9"	-----	-----
24"	3'-7"	10'-8"	11'-0"	3'-6 1/2"	4'-5 1/2"	8'-11"	2'-9"	2'-9"	-----	-----
30"	4'-2"	12'-10"	13'-2 3/4"	4'-1 1/2"	5'-3 1/2"	10'-7"	2'-9"	2'-9"	1'-9"	-----
36"	4'-9"	15'-0"	15'-5 1/2"	4'-8 1/2"	6'-1 1/2"	12'-3"	2'-9"	2'-9"	1'-9"	1'-9"

NO. OF GRATES REQ'D.	
2'	3'
2	--
--	2
1	2
2	2

NO. 4 REINFORCEMENT BARS				CLASS A CONC.
NUMBER - LENGTH AND WEIGHT				
(a)	(b)	(3) (c)	LBS.	CU.YDS.
14 @ 6'-5"	3 @ 8'-6"	2 @ 2'-8"	81	1.8
16 @ 8'-0"	3 @ 10'-6"	2 @ 3'-3"	111	2.7
	3 @ 12'-9"	2 @ 3'-10"	146	3.8
20 @ 11'-4"	3 @ 15'-0"	2 @ 4'-5"	187	5.1

KENTUCKY
DEPARTMENT OF HIGHWAYS

SLOPED AND FLARED
BOX INLET - OUTLET
18" - 24" - 30" - 36"
ALL SKEWS

STANDARD DRAWING NO. RDB-105-06

SUBMITTED *[Signature]* DATE 12-01-15
DESIGNED BY *[Signature]* DATE
APPROVED *[Signature]* DATE
STATE HIGHWAY ENGINEER