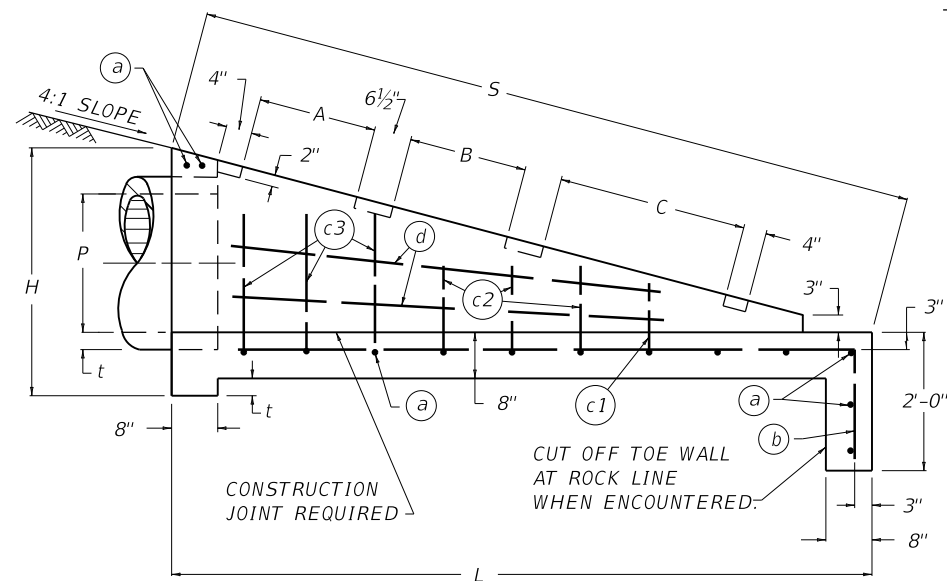


PLAN VIEW

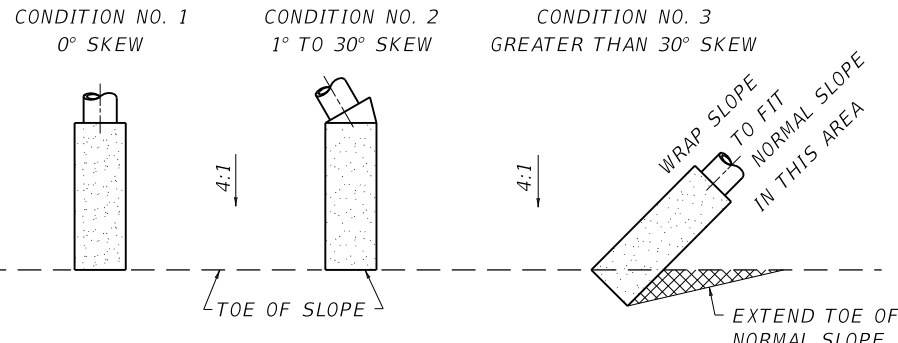


ELEVATION VIEW

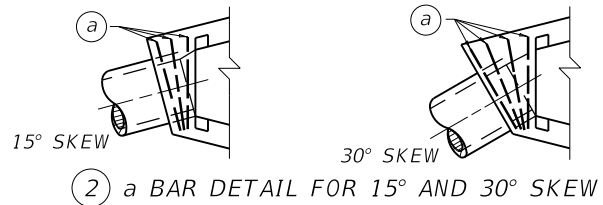
DIMENSIONS									NO. OF GRATES REQ'D.	
P	H	L	S	R	E	A	B	C	2'	3'
15"	3'-0"	8'-2"	8'-5 1/2"	3'-3"	1'-11"	1'-8 1/2"	2'-8 3/4"	-----	1	1
18"	3'-0"	8'-2"	8'-5 1/2"	3'-3"	1'-11"		2'-8 3/4"	-----	1	1
24"	3'-7"	10'-1 1/2"	10'-5 5/8"	3'-10"	2'-6"	1'-8 1/2"	2'-8 3/4"	2'-8 3/4"	2	1

~ NOTES ~

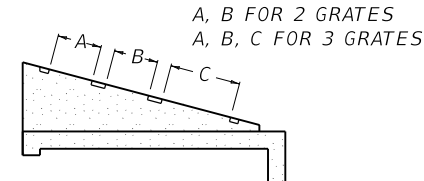
- BID ITEM AND UNIT TO BID
SLOPED BOX OUTLET TYPE 1 - ★ IN (SIZE OF PIPE) EACH
1. THE MINIMUM REQUIREMENT FOR REINFORCING STEEL SHALL BE GRADE 40. FIELD BENDING WILL BE PERMITTED.
 2. ONE ADDITIONAL a BAR WILL BE REQUIRED FOR EACH 15° SKEW.
 3. "t" IS THE CONCRETE PIPE WALL THICKNESS OR METAL PIPE CORRUGATION DEPTH.
 4. SEE CUR. STD. DWG. RDB-101 FOR REINFORCING STEEL AND GRATE DETAILS.



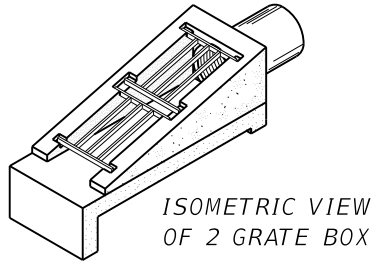
PLAN VIEW OF STRUCTURE LOCATIONS



2 a BAR DETAIL FOR 15° AND 30° SKEW



DETAIL SHOWING LOCATION OF SLOTS FOR GRATES



ISOMETRIC VIEW OF 2 GRATE BOX

USE WITH CUR. STD. DWG. RDB-101

KENTUCKY DEPARTMENT OF HIGHWAYS	
SLOPED BOX OUTLET TYPE 1	
STANDARD DRAWING NO. RDB-100-05	
SUBMITTED <i>[Signature]</i> DIRECTOR OF DESIGN	12-01-15 DATE
APPROVED <i>[Signature]</i> STATE HIGHWAY ENGINEER	12-01-15 DATE