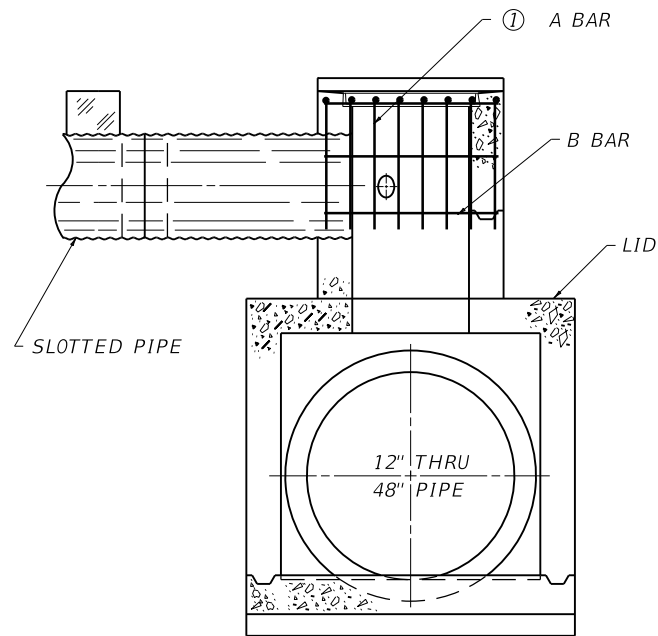
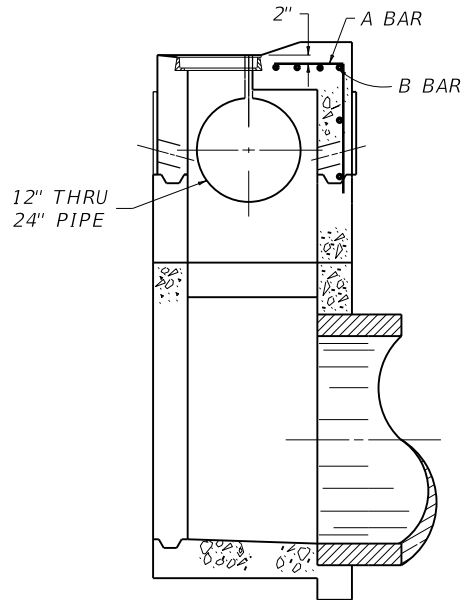


PLAN VIEW



SECTION A-A



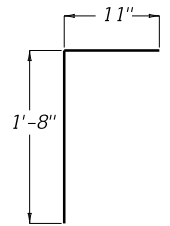
SECTION B-B

STEEL REINFORCEMENT CHART

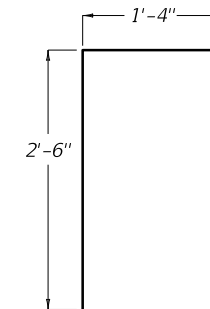
NO. 5 BAR	SLOTTED PIPE SIZE	CONDITION	QTY.	LGTH.	TOTAL LBS
A BAR	12" THRU 18"	GRADE	8	2'-7"	22
B BAR			6	3'-3"	20
A BAR	18"	SAGE	13	2'-7"	35
B BAR			6	5'-11"	37
A BAR	24"	GRADE	8	3'-10"	32
B BAR			6	3'-3"	20
A BAR	24"	SAGE	13	3'-10"	52
B BAR			6	5'-11"	37

~ NOTES ~

- ① SLOTTED PIPE SIZE DENOTES WHICH "A" BAR TO USE, SEE STEEL CHART ON THIS DRAWING.
- SEE CUR. STD. DWG. RDB-032 FOR LID REINFORCEMENT.
- REINFORCEMENT SHALL HAVE A CLEAR DISTANCE OF 2" FROM THE OUTSIDE FACE UNLESS OTHERWISE SHOWN.
- SPACE "A" BARS APPROXIMATELY 6" CENTER TO CENTER.
- SPACE "B" BARS AS SHOWN.



A BAR DETAIL  
12" - 18" PIPE



A BAR DETAIL  
24" PIPE

USE WITH CUR. STD. DWGS.  
RDI-200 RDB-014 RDB-030  
RDB-032 RDB-033 RDB-034  
RDB-035

KENTUCKY  
DEPARTMENT OF HIGHWAYS

DROP BOX INLET  
TYPE 16  
(STEEL SHEET)

STANDARD DRAWING NO. RDB-031-04

SUBMITTED *[Signature]* DIRECTOR, BUREAU OF DESIGN 12-01-15 DATE  
APPROVED *[Signature]* STATE HIGHWAY ENGINEER 12-01-15 DATE