

**① ADDITIONAL STEEL REINFORCEMENT REQUIRMENTS**  
( PIPE CHAMBER, H = 8' TO 15', GRADE CONDITION )

SIZE ②		NO. 5 STEEL BARS									
X	Y	③ BAR n		④ BAR p		BAR q		BAR r		LBS. ⑤	
		QTY.	LIN. FT.	QTY.	LIN. FT.	QTY.	LIN. FT.	QTY.	LIN. FT.	TOTAL	⑥
2'-3"	1'-3"	16				9'-3"		1'-9"	3	174	26
	2'-0"	20				10'-9"		2'-6"	4	214	32
	2'-6"	22				11'-9"		3'-0"	5	238	35
	3'-0"	24	6'-0"	6		12'-9"	4	3'-6"	6	262	38
	3'-6"	26				13'-9"		4'-0"	7	286	41
	4'-0"	28				14'-9"		4'-6"	8	309	45
	4'-6"	30				15'-9"		5'-0"	9	333	48
	5'-0"	32				16'-9"		5'-6"	10	357	51
2'-6"	1'-3"	20				9'-9"		1'-9"	3	205	31
	2'-0"	22				11'-3"		2'-6"	4	234	35
	2'-6"	24				12'-3"		3'-0"	5	258	38
	3'-0"	26	6'-0"	6		13'-3"	5	3'-6"	6	283	41
	3'-6"	28				14'-3"		4'-0"	7	307	44
	4'-0"	30				15'-3"		4'-6"	8	332	47
	4'-6"	32				16'-3"		5'-0"	9	356	50
	5'-0"	34				17'-3"		5'-6"	10	381	53
3'-0"	1'-3"	22				10'-9"		1'-9"	3	227	34
	2'-0"	24				12'-3"		2'-6"	4	257	38
	2'-6"	26				13'-3"		3'-0"	5	283	41
	3'-0"	28	6'-0"	6		14'-3"	6	3'-6"	6	308	44
	3'-6"	30				15'-3"		4'-0"	7	334	47
	4'-0"	32				16'-3"		4'-6"	8	359	50
	4'-6"	34				17'-3"		5'-0"	9	385	53
	5'-0"	36				18'-3"		5'-6"	10	410	57
3'-6"	1'-3"	24				11'-9"		1'-9"	3	249	37
	2'-0"	26				13'-3"		2'-6"	4	281	41
	2'-6"	28				14'-3"		3'-0"	5	307	44
	3'-0"	30	6'-0"	6		15'-3"	7	3'-6"	6	334	47
	3'-6"	32				16'-3"		4'-0"	7	360	50
	4'-0"	34				17'-3"		4'-6"	8	387	53
	4'-6"	36				18'-3"		5'-0"	9	414	57
	5'-0"	38				19'-3"		5'-6"	10	440	60
4'-0"	1'-3"	26				12'-9"		1'-9"	3	271	40
	2'-0"	28				14'-3"		2'-6"	4	304	44
	2'-6"	30				15'-3"		3'-0"	5	332	47
	3'-0"	32	6'-0"	6		16'-3"	8	3'-6"	6	359	50
	3'-6"	34				17'-3"		4'-0"	7	387	53
	4'-0"	36				18'-3"		4'-6"	8	415	57
	4'-6"	38				19'-3"		5'-0"	9	442	60
	5'-0"	40				20'-3"		5'-6"	10	470	63
4'-6"	1'-3"	28				13'-9"		1'-9"	3	293	44
	2'-0"	30				15'-3"		2'-6"	4	328	47
	2'-6"	32				16'-3"		3'-0"	5	356	50
	3'-0"	34	6'-0"	6		17'-3"	9	3'-6"	6	385	53
	3'-6"	36				18'-3"		4'-0"	7	414	57
	4'-0"	38				19'-3"		4'-6"	8	442	60
	4'-6"	40				20'-3"		5'-0"	9	471	63
	5'-0"	42				21'-3"		5'-6"	10	500	66

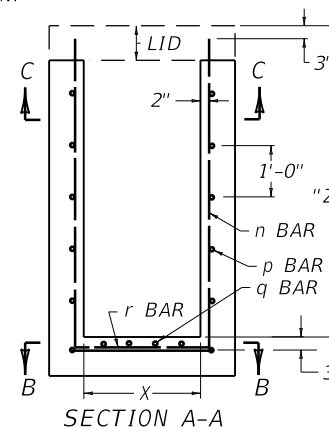
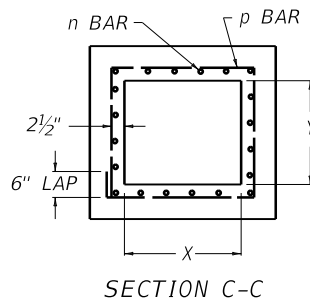
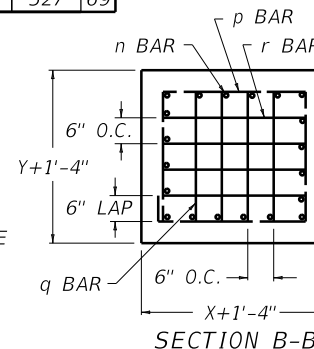
SIZE ②		NO. 5 STEEL BARS									
X	Y	③ BAR n		④ BAR p		BAR q		BAR r		LBS. ⑤	
		QTY.	LIN. FT.	QTY.	LIN. FT.	QTY.	LIN. FT.	QTY.	LIN. FT.	TOTAL	⑥
5'-0"	1'-3"	30				14'-9"		1'-9"	3	316	47
	2'-0"	32				16'-3"		2'-6"	4	351	50
	2'-6"	34				17'-3"		3'-0"	5	381	53
	3'-0"	36	6'-0"	6		18'-3"	10	3'-6"	6	410	57
	3'-6"	38				19'-3"		4'-0"	7	440	60
	4'-0"	40				20'-3"		4'-6"	8	470	63
	4'-6"	42				21'-3"		5'-0"	9	500	66
	5'-0"	44				22'-3"		5'-6"	10	529	69

**① ADDITIONAL STEEL REINFORCEMENT REQUIRMENTS**  
( PIPE CHAMBER, H = 8' TO 15', SAG CONDITION )

SIZE ②		NO. 5 STEEL BARS									
X	Y	③ BAR n		④ BAR p		BAR q		BAR r		LBS. ⑤	
		QTY.	LIN. FT.	QTY.	LIN. FT.	QTY.	LIN. FT.	QTY.	LIN. FT.	TOTAL	⑥
4'-11"	1'-3"	28				14'-7"		1'-9"	3	302	44
	2'-0"	32				16'-1"		2'-6"	4	350	50
	2'-6"	34				17'-1"		3'-0"	5	379	53
	3'-0"	36	6'-0"	6		18'-1"	10	3'-6"	6	409	56
	3'-6"	38				19'-1"		4'-0"	7	438	60
	4'-0"	40				20'-1"		4'-6"	8	468	63
	4'-6"	42				21'-1"		5'-0"	9	498	66
	5'-0"	44				22'-1"		5'-6"	10	527	69

~ NOTES ~

- ① BASED ON "Z" AS EQUAL TO 6'-0".
- ② SEE CUR. STD. DWGS. RDB-013 AND RDB-014 FOR LOCATION AND DIMENSIONS.
- ③ LENGTH OF "n" BAR IS ALWAYS SAME AS "Z" DIMENSION.
- ④ ADD OR SUBTRACT ONE "p" BAR PER EVEN FT. VARIANCE FROM 6'-0" "Z".
- ⑤ NO DEDUCTIONS HAVE BEEN MADE FOR PIPE.
- ⑥ ADD OR SUBTRACT LBS. STEEL PER FT. VARIANCE FROM 6'-0" "Z".
7. REINFORCEMENT SHALL HAVE A CLEAR DISTANCE OF 2" FROM THE FACE UNLESS OTHERWISE SHOWN.



USE WITH CUR. STD. DWGS.  
RDB-013 RDB-014 RDB-015  
RDB-016 RDB-017 RDB-018

KENTUCKY  
DEPARTMENT OF HIGHWAYS

DROP BOX INLET  
TYPE 13  
( ADDITIONAL STEEL - CHAMBER )

STANDARD DRAWING NO. RDB-019-04

SUBMITTED	<i>[Signature]</i>	12-01-15
APPROVED	<i>[Signature]</i>	12-01-15