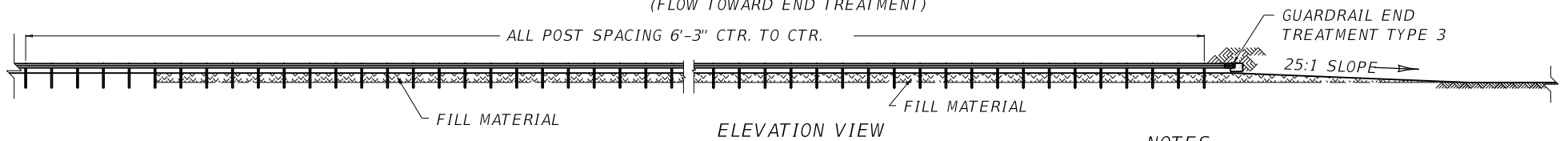


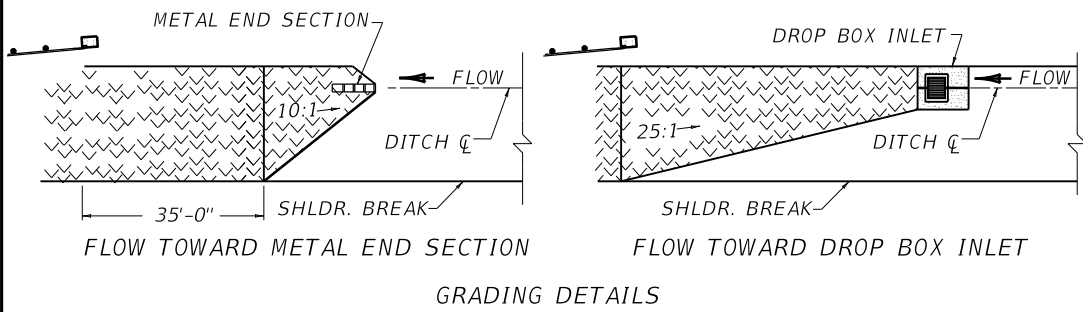
PLAN VIEW
(FLOW TOWARD END TREATMENT)



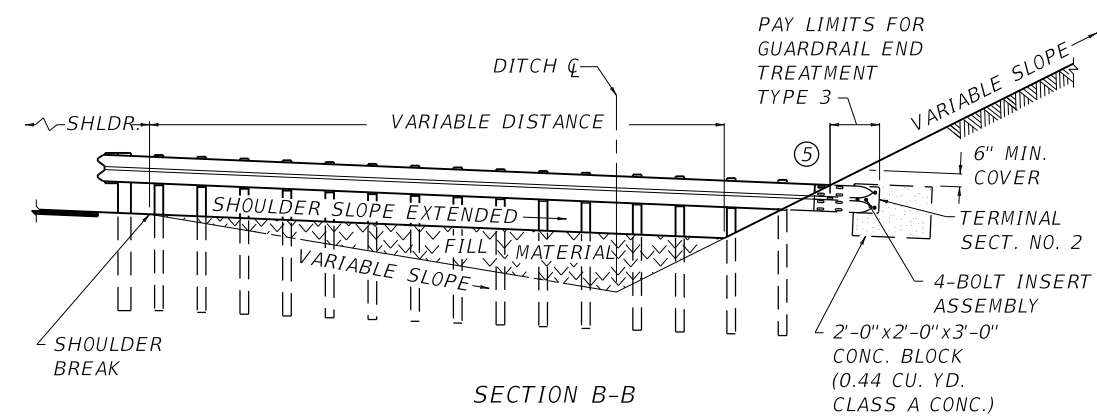
ELEVATION VIEW

~ NOTES ~

- BID ITEMS AND UNIT TO BID
 GUARDRAIL END TREATMENT TYPE 3 EACH
 ROADWAY OR BORROW EXCAVATION, OR EMBANKMENT IN PLACE CU. YD.
 DRAINAGE STRUCTURE BID SEPARATELY EACH
- THE CONTRACT UNIT PRICE FOR GUARDRAIL END TREATMENT TYPE 3 SHALL INCLUDE THE CONCRETE BLOCK, TERMINAL SECTION NO. 2, FOUR BOLT INSERT ASSEMBLY AND ALL INCIDENTALS NECESSARY TO COMPLETE THE WORK.
- OFFSET BLOCKS MAY BE ELIMINATED ON ANY POST THAT IS COMPLETELY BELOW GRADE.
- SEE CUR. STD. DWG. [RBC-100](#) FOR 4-BOLT INSERT ASSEMBLY DETAILS.
- SEE CUR. STD. DWG. [RBR-032](#) FOR ALTERNATE END ANCHOR.



GRADING DETAILS



SECTION B-B

① FLARE RATES			
DESIGN SPEED	70+ MPH	60 MPH	50 MPH OR LESS
FLARE RATES	15:1	13:1	11:1

USE WITH CUR. STD. DWGS.
[RBC-100](#) [RDB-005](#) [RBR-032](#)

KENTUCKY
DEPARTMENT OF HIGHWAYS

GUARDRAIL END
TREATMENT TYPE 3

STANDARD DRAWING NO. [RBR-030-05](#)

SUBMITTED *[Signature]* DIRECTOR, DEPT. OF DESIGN 12-01-15
DATE

APPROVED *[Signature]* STATE HIGHWAY ENGINEER 12-01-15
DATE