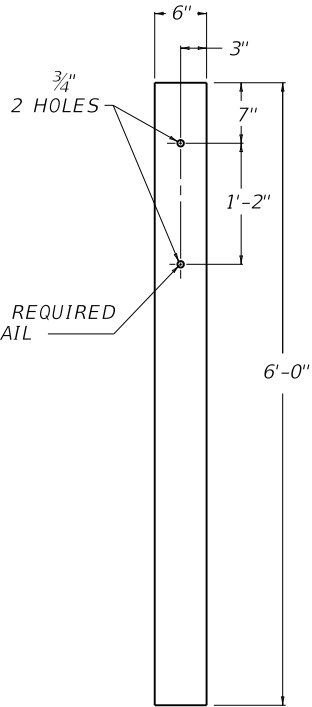
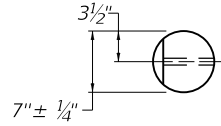


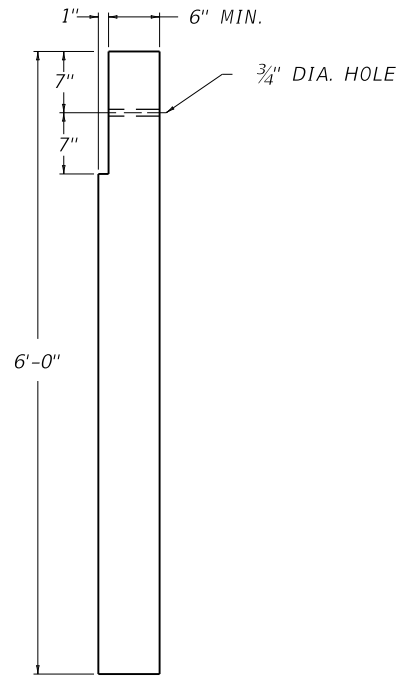
PLAN VIEW



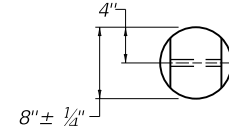
FRONT ELEVATION
6"x8" TIMBER POST



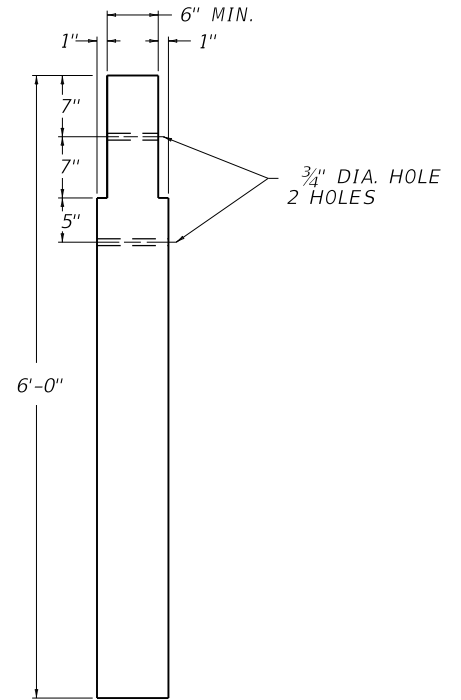
PLAN VIEW



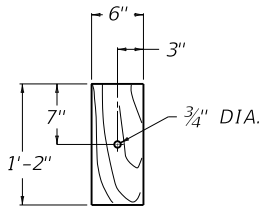
7" ROUND TIMBER POST
(SINGLE FACE RAIL)



PLAN VIEW



8" ROUND TIMBER POST
(DOUBLE FACE RAIL)



FRONT ELEVATION
OFFSET BLOCK TYPE 3
(6" X 8" TIMBER)
(FOR USE WITH RECTANGULAR
AND ROUND POSTS)

KENTUCKY
DEPARTMENT OF HIGHWAYS

TIMBER
GUARDRAIL POSTS

STANDARD DRAWING NO. RBR-016-05

SUBMITTED	<i>William P. Gabel</i>	12-01-15
	DIRECTOR, BUREAU OF DESIGN	DATE
APPROVED	<i>[Signature]</i>	12-01-15
	STATE HIGHWAY ENGINEER	DATE