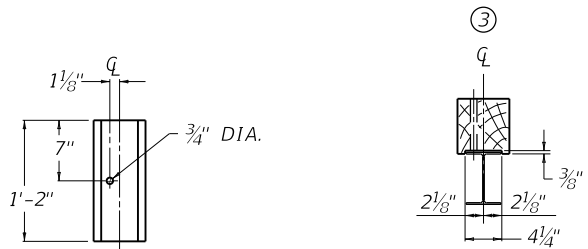


- ~ NOTES ~
- ① W6 X 8.5 IS AN ACCEPTABLE ALTERNATE.
 - ② THESE HOLES ARE REQUIRED FOR ATTACHING RAIL.
 - ③ TIMBER OR COMPOSITE BLOCKOUTS MAY BE USED WITH STEEL POST.

SIDE VIEW FRONT VIEW SECTION A-A

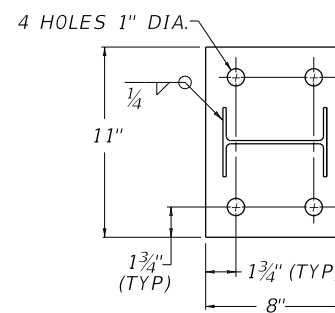
~ W6 X 9.0 STEEL POST ① ~



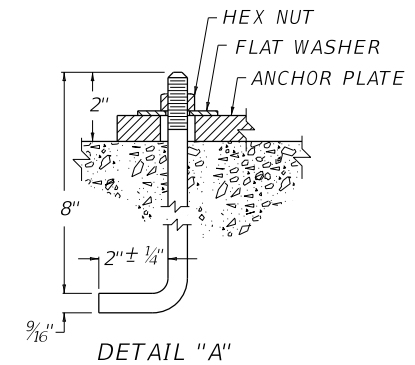
REAR ELEVATION

PLAN VIEW

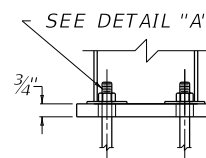
OFFSET BLOCK TYPE 4
6" X 8" (Nominal Size)
(TIMBER OR APPROVED COMPOSITE)
(FOR USE WITH STEEL POST ONLY)



PLAN VIEW



DETAIL "A"



SIDE VIEW ANCHOR PLATE

KENTUCKY
DEPARTMENT OF HIGHWAYS

STEEL
GUARDRAIL POSTS

STANDARD DRAWING NO. RBR-015-06

SUBMITTED *[Signature]* DATE 02-26-20

APPROVED *[Signature]* ENGINEER DATE 02-26-20