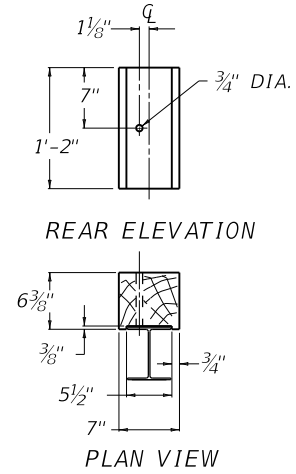
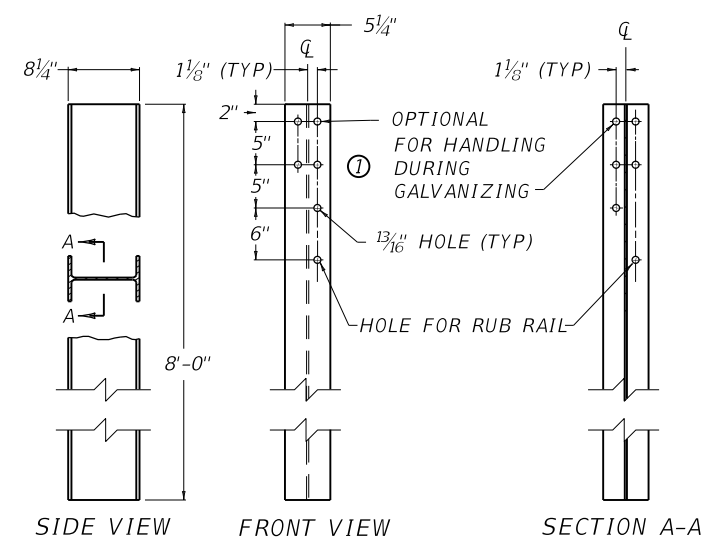


~ W6 X 9.0 STEEL GUARDRAIL POST ~
(USED WITH C6 X 8.2 RUB RAIL)



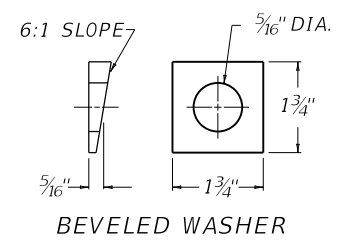
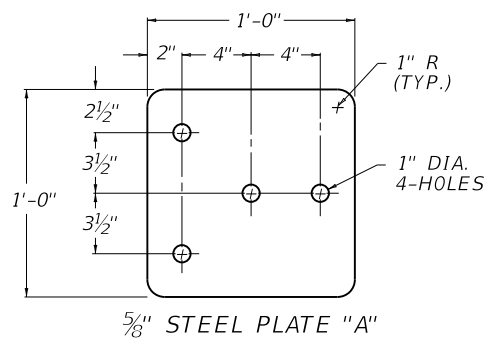
OFFSET BLOCK TYPE 6
(TIMBER OR APPROVED COMPOSITE)



~ W8 X 21 STEEL GUARDRAIL POST ~

~ NOTES ~
① THESE HOLES ARE REQUIRED FOR ATTACHING RAIL.

~ MAINTENANCE NOTES ~
1. NOT FOR NEW CONSTRUCTION. ONLY USE FOR REPAIRING OR RESTORING EXISTING HARDWARE.
2. FOR NEW CONSTRUCTION, REFER TO BHS-013 AND BHS-014 FOR THRIE-BEAM CONNECTIONS.
3. USE 3500 PSI CONCRETE FOR REPAIRS TO EXISTING JERSEY SHAPES.



USE WITH CUR. STD. DWGS.
RBC-002 RBC-005 RBC-006

KENTUCKY DEPARTMENT OF HIGHWAYS GUARDRAIL CONNECTOR TO BRIDGE END TYPE A AND A-1 COMPONENTS	
STANDARD DRAWING NO. RBC-003-09	
SUBMITTED _____	DATE 02-26-20
APPROVED _____	DATE 02-26-20