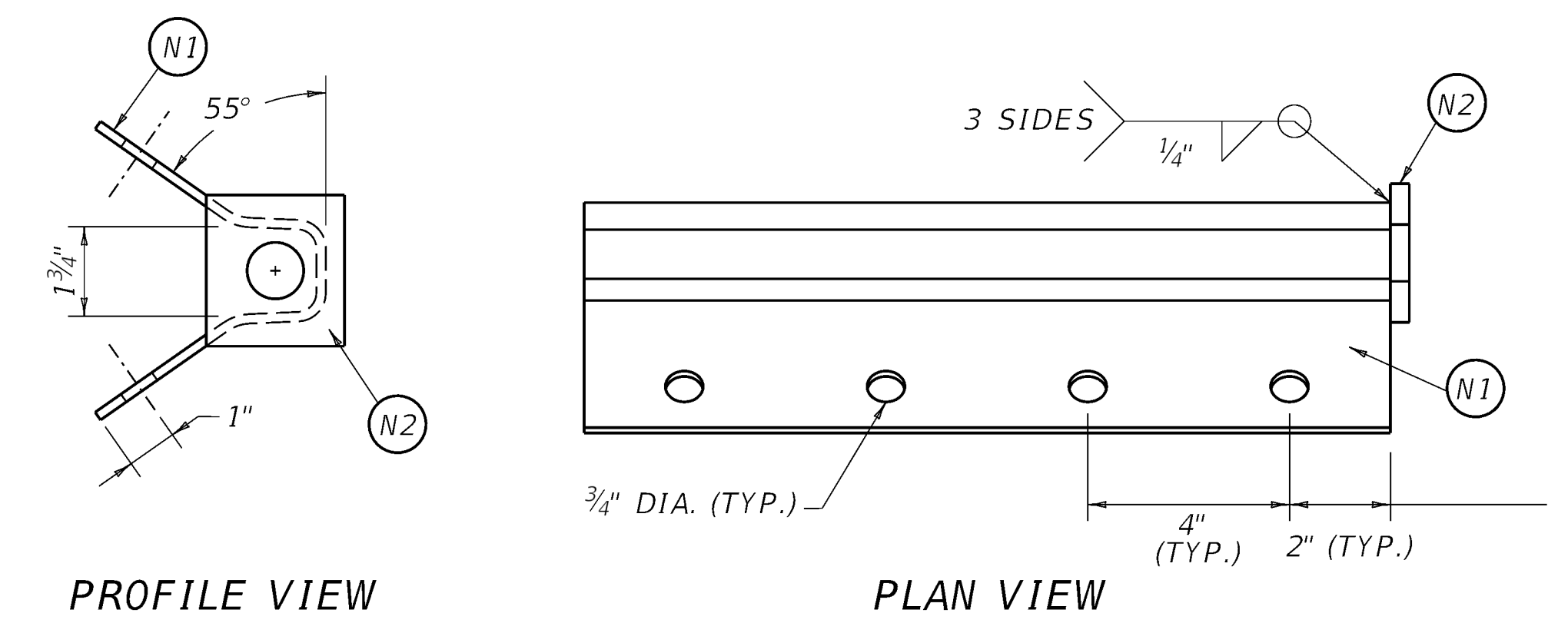
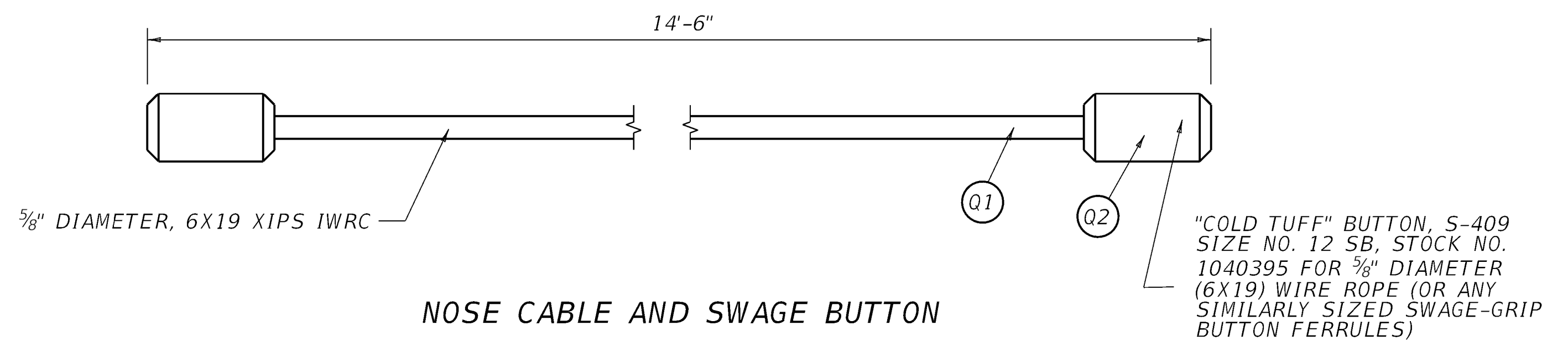


ANCHOR CABLE ASSEMBLY

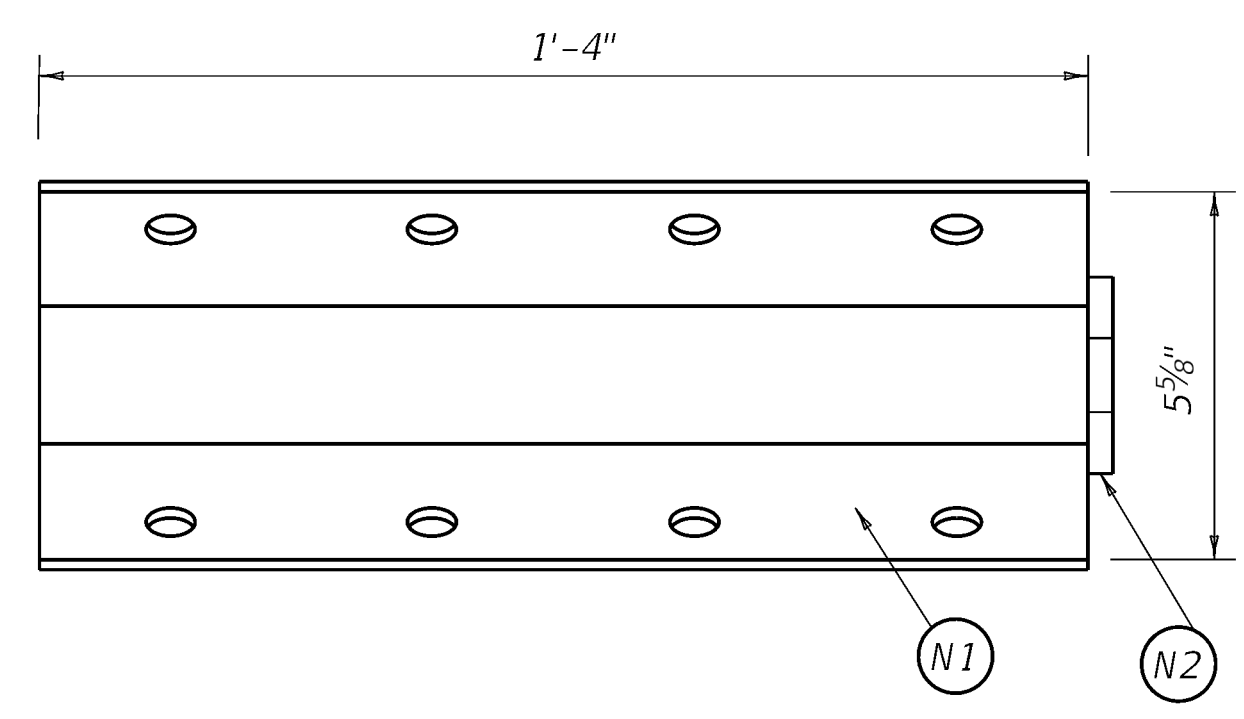


PROFILE VIEW

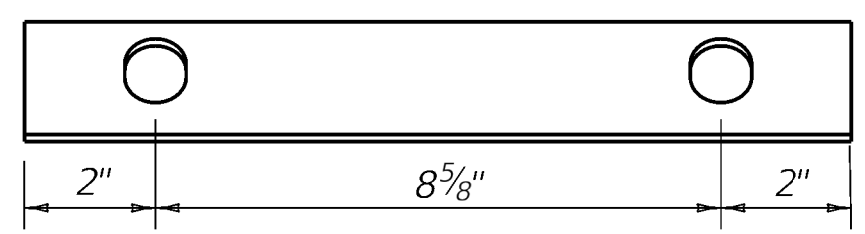
PLAN VIEW



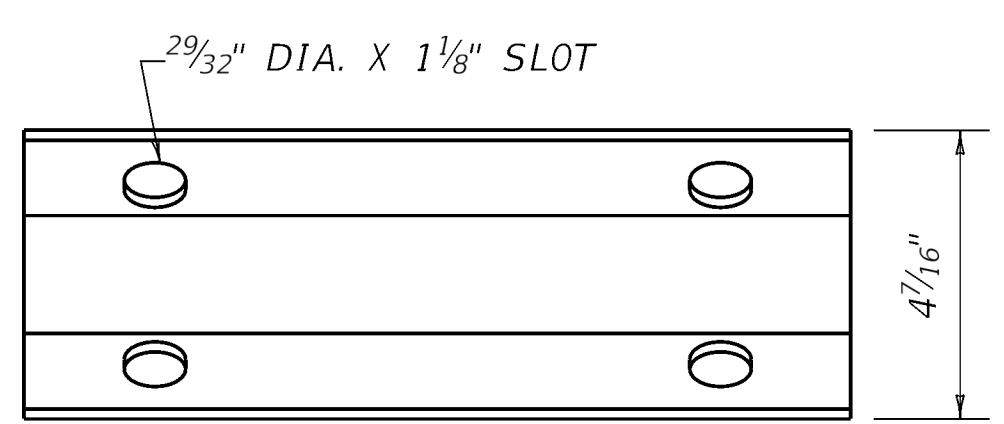
NOSE CABLE AND SWAGE BUTTON



ELEVATION VIEW
ANCHOR BRACKET ASSEMBLY (N1)

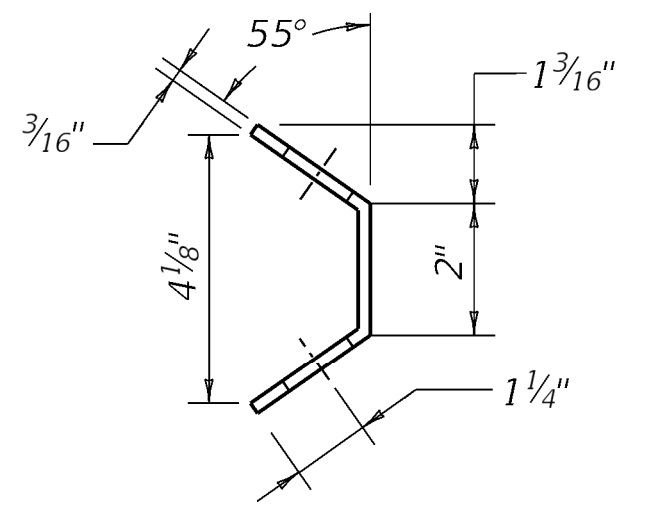


PLAN VIEW

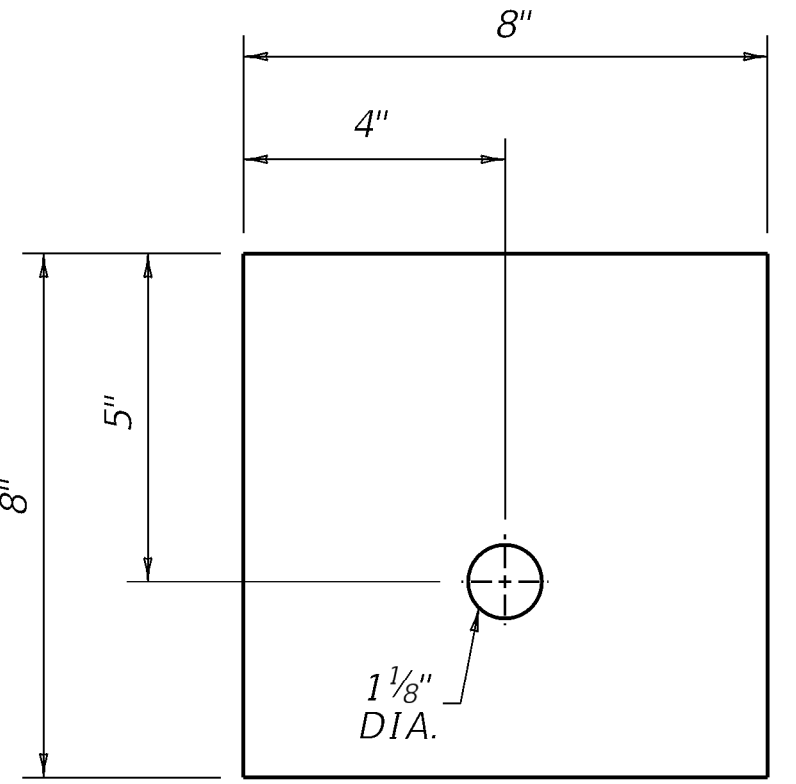


ELEVATION VIEW

NOSE CABLE ANCHOR (R1)

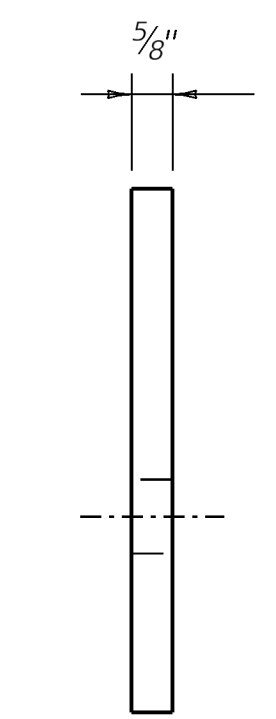


PROFILE VIEW

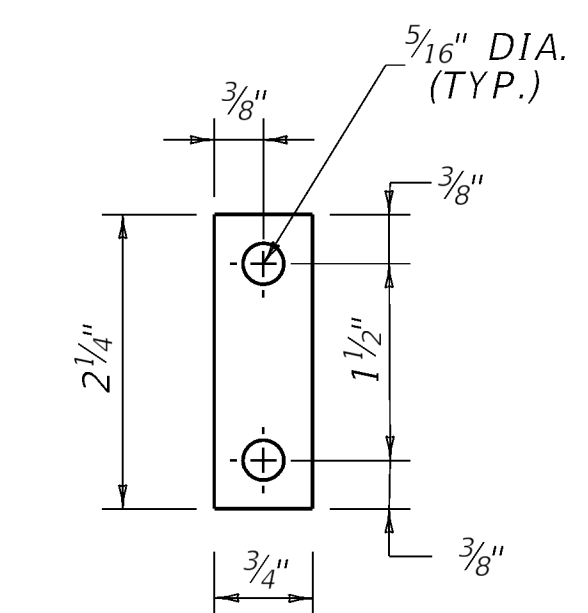


ELEVATION VIEW

BCT BEARING PLATE (A3)

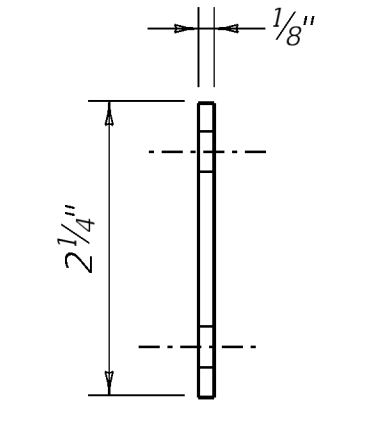


PROFILE VIEW

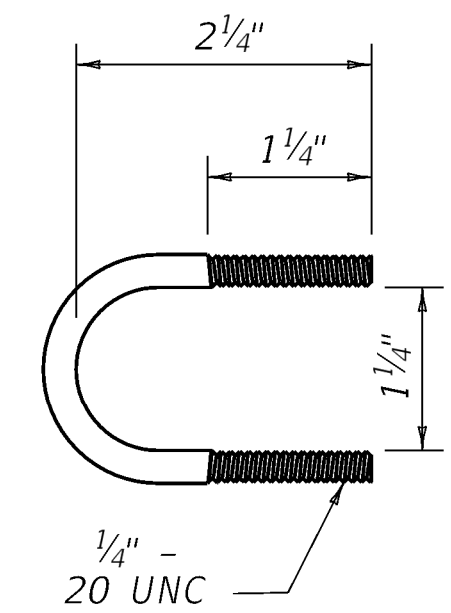


ELEVATION VIEW

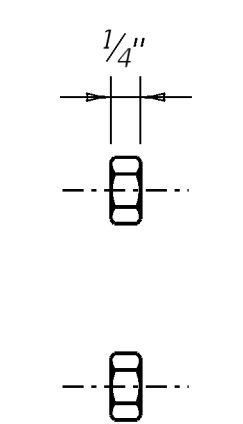
U - BOLT
PLATE WASHER (T2)



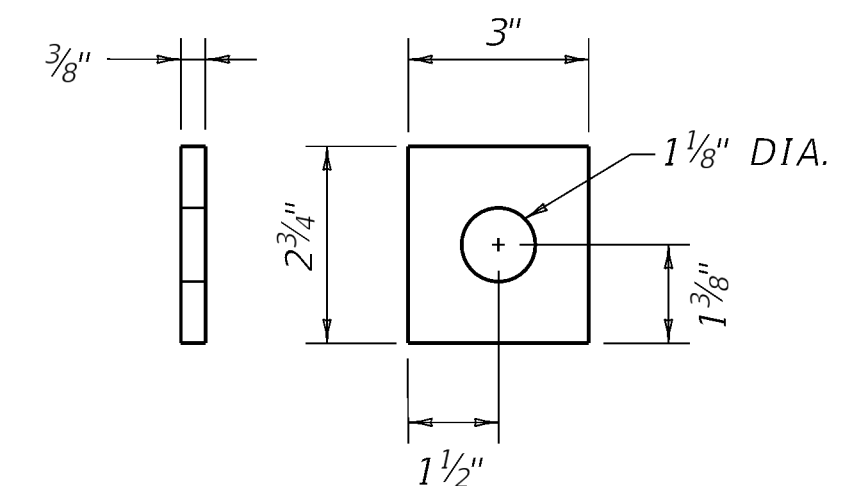
PROFILE VIEW



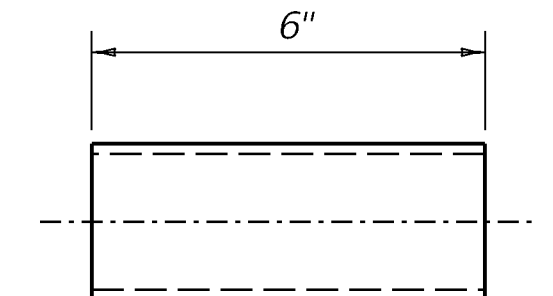
U - BOLT
(T1)



U - BOLT
NUT (T3)

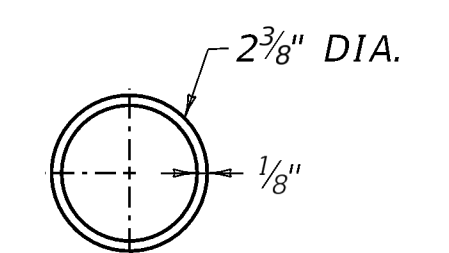


ANCHOR BRACKET
END PLATE (N2)



ELEVATION VIEW

BCT POST SLEEVE (L2)



PROFILE VIEW

~ NOTES ~

900 SEE SHEET 10 FOR PART DESCRIPTIONS.

REVISION DATE: 12.10.2024
REVISION NUMBER: 0

SUBMITTED: 03-03-2025 DATE
DIVISION DIRECTOR: [Signature] DATE
APPROVED: [Signature] STATE HIGHWAY ENGINEER DATE

BARRIERS