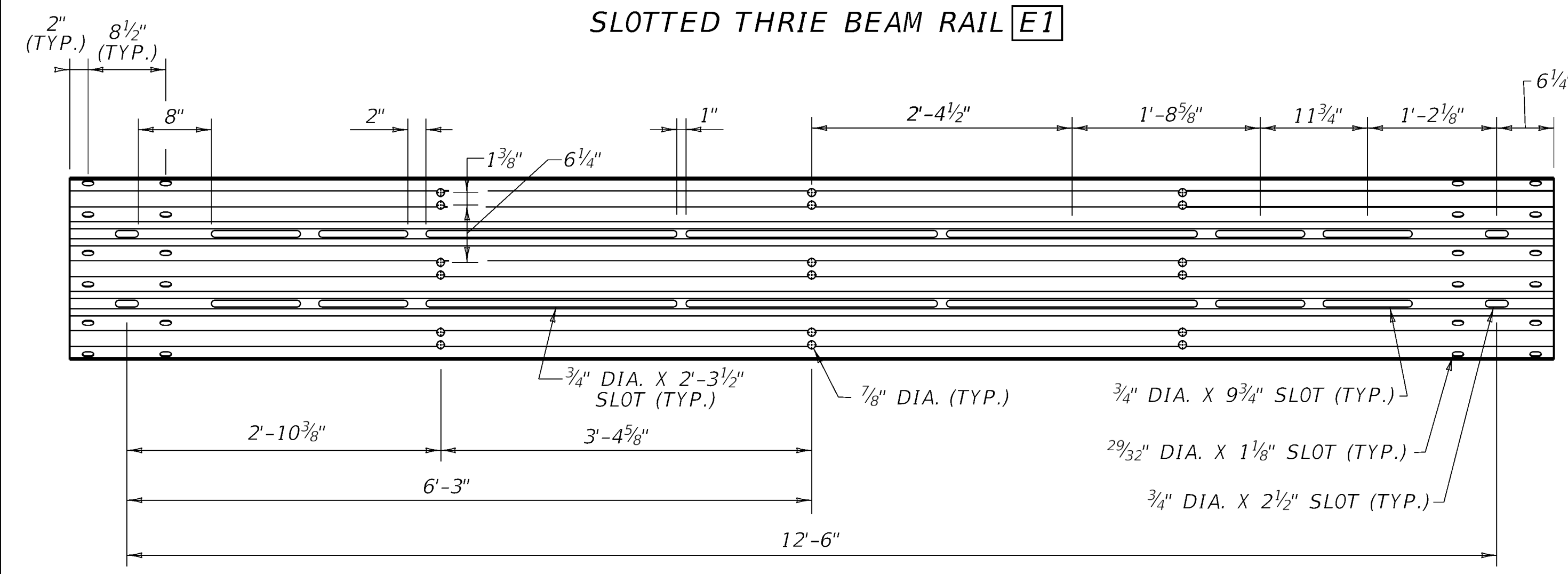
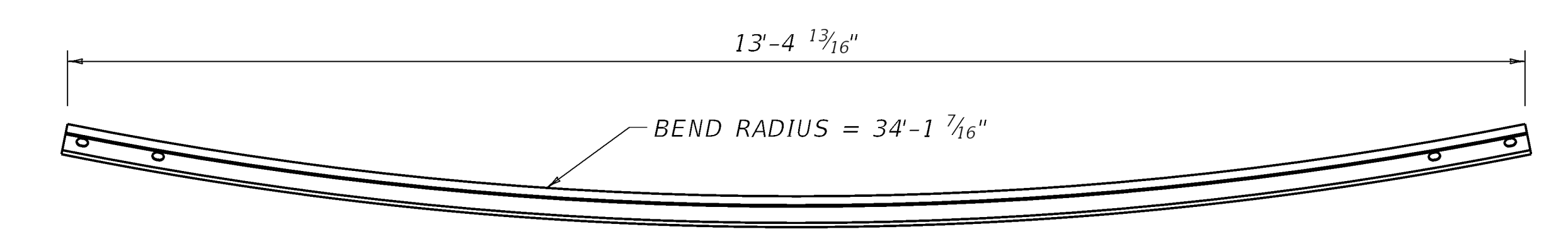


SLOTTED THRIE BEAM RAIL [E1]



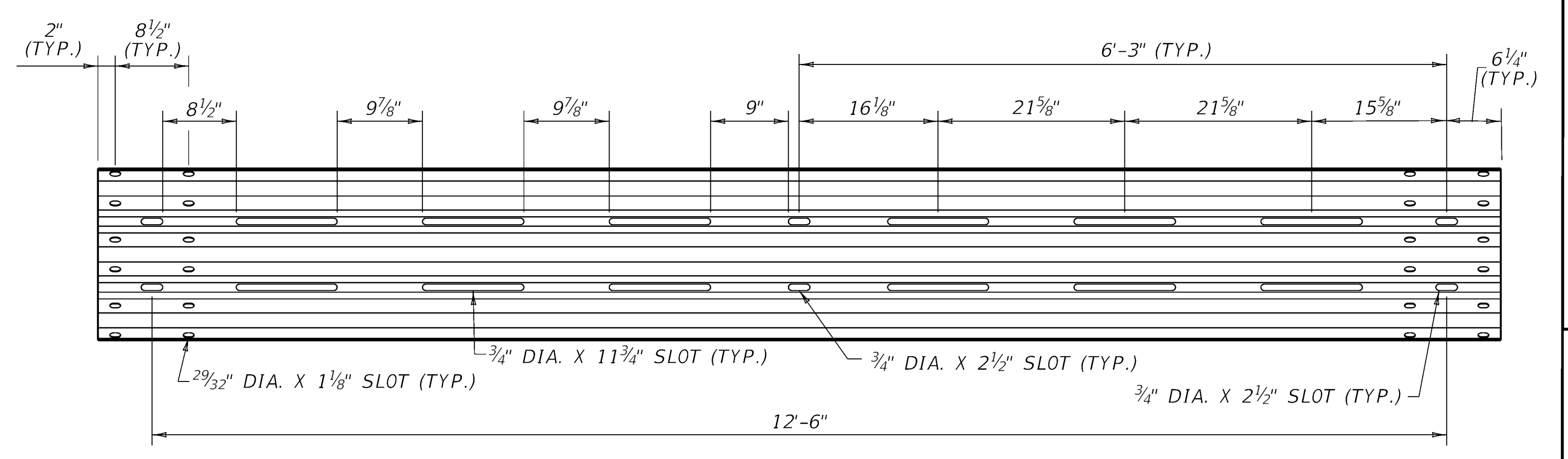
ELEVATION VIEW NON-RADIUSED  
 SLOTTED THRIE BEAM RAIL [E2]



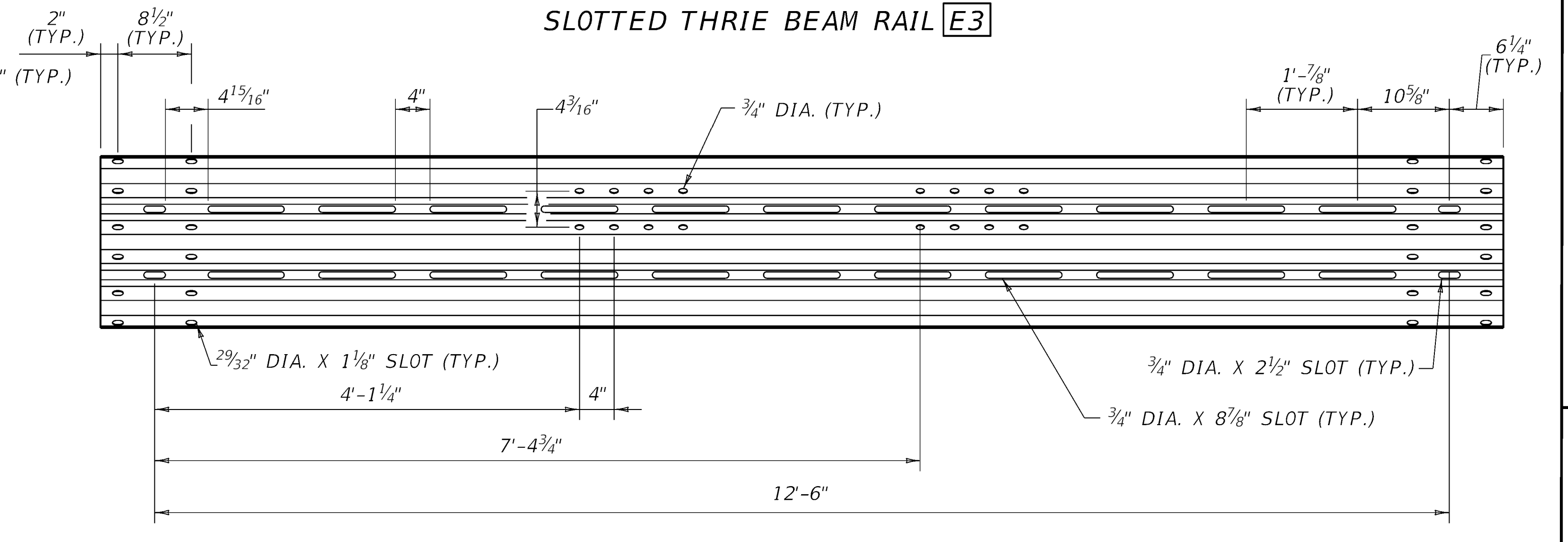
PLAN VIEW  
 SLOTTED THRIE BEAM RAIL [E4]

~ NOTES ~

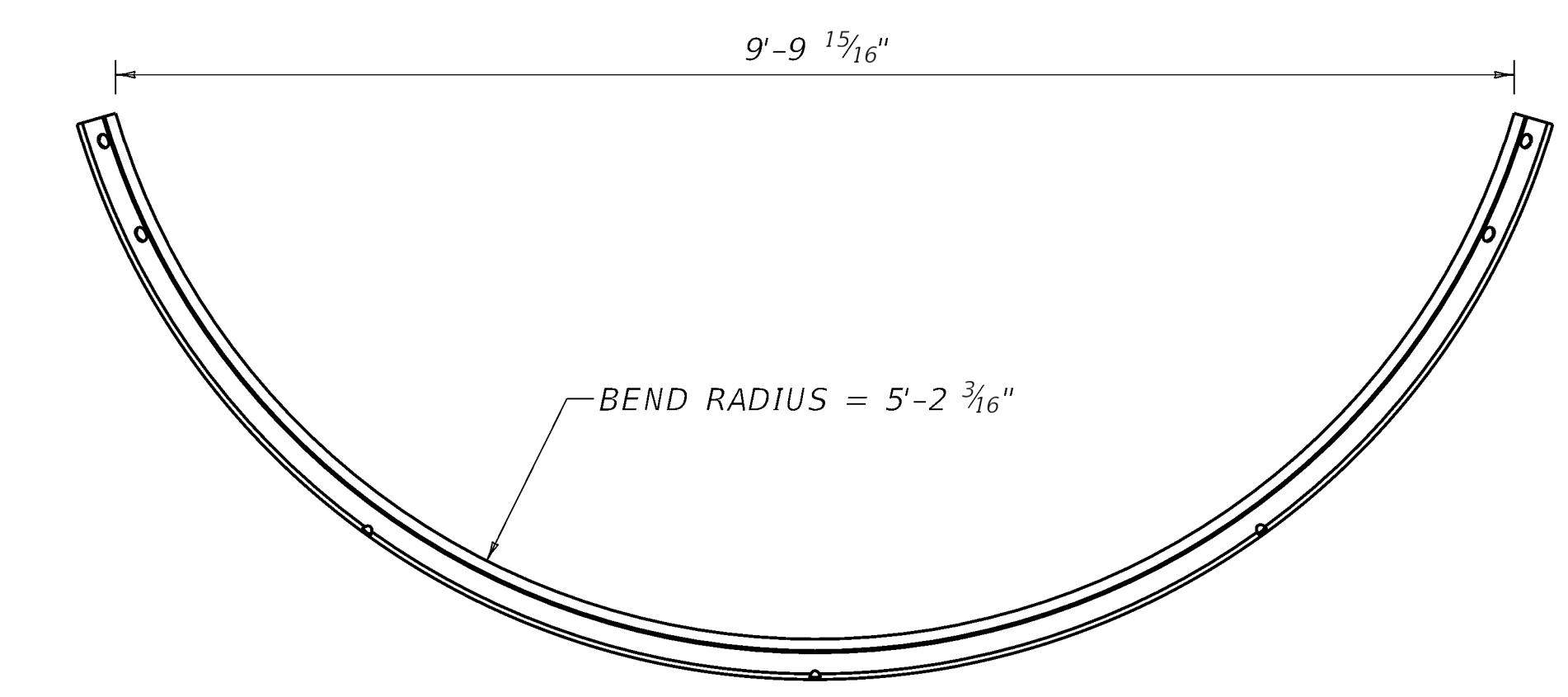
- 801 FOR THRIE BEAM RAIL, USE AASHTO M180, SPEC 814, AND GUARDRAIL MANUFACTURER FROM KYTC'S LIST.
- 802 MARK THE RADIUS OF CURVATURE ON EACH OF THE CURVED ELEMENTS.
- 803 IN AN ASYMMETRICAL BULLNOSE, THE OPPOSING-SIDE [E4] THRIE-BEAM IS STRAIGHT, NOT CURVED. THIS TANGENT BEAM HAS A LENGTH OF 13' - 6 1/2".



SLOTTED THRIE BEAM RAIL [E3]



ELEVATION VIEW NON-RADIUSED  
 SLOTTED THRIE BEAM RAIL [E4]



PLAN VIEW  
 SLOTTED THRIE BEAM RAIL [E2]