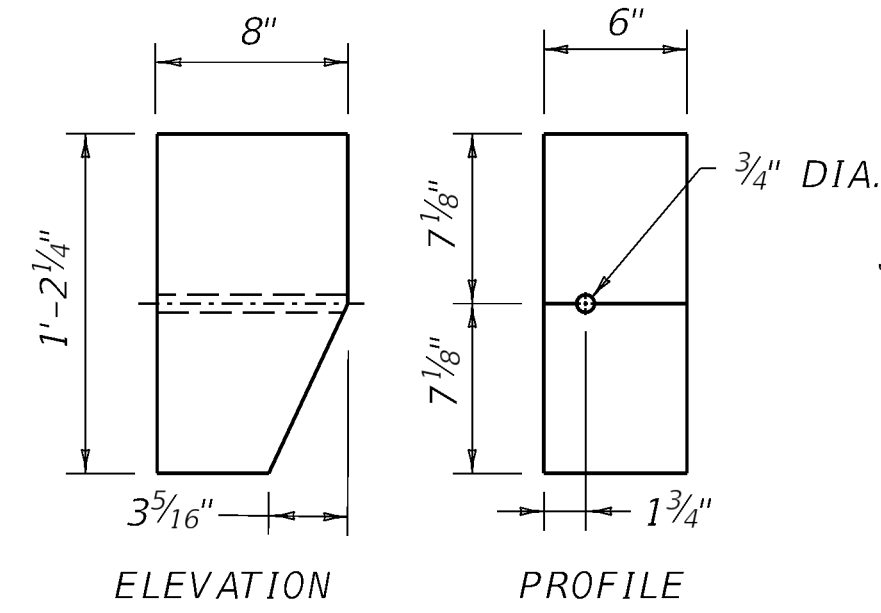
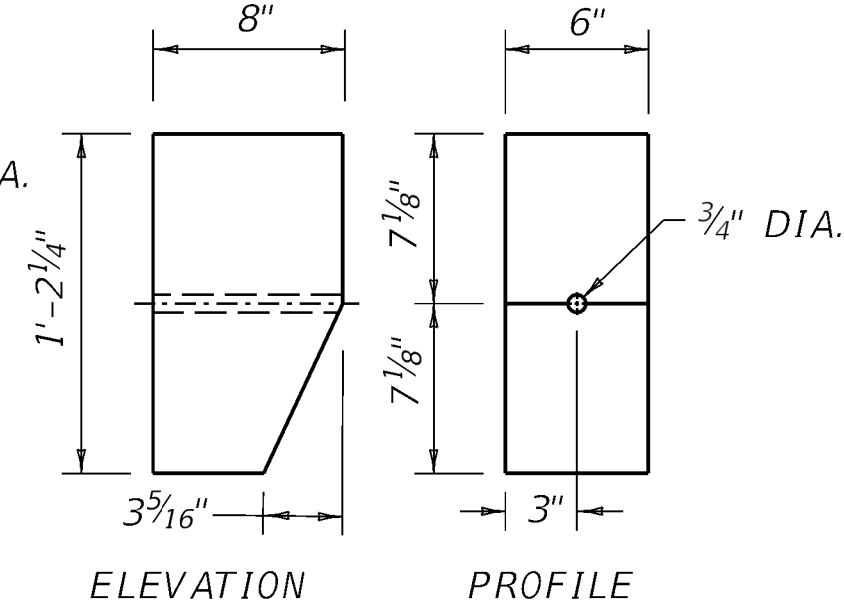


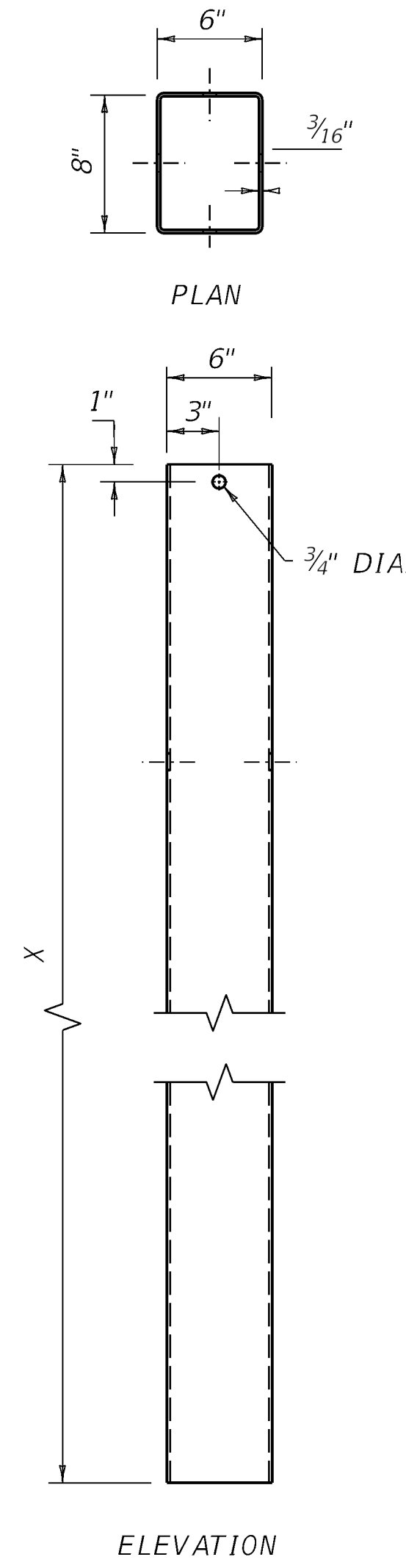
BLOCKOUT (D1)



BLOCKOUT (D2)

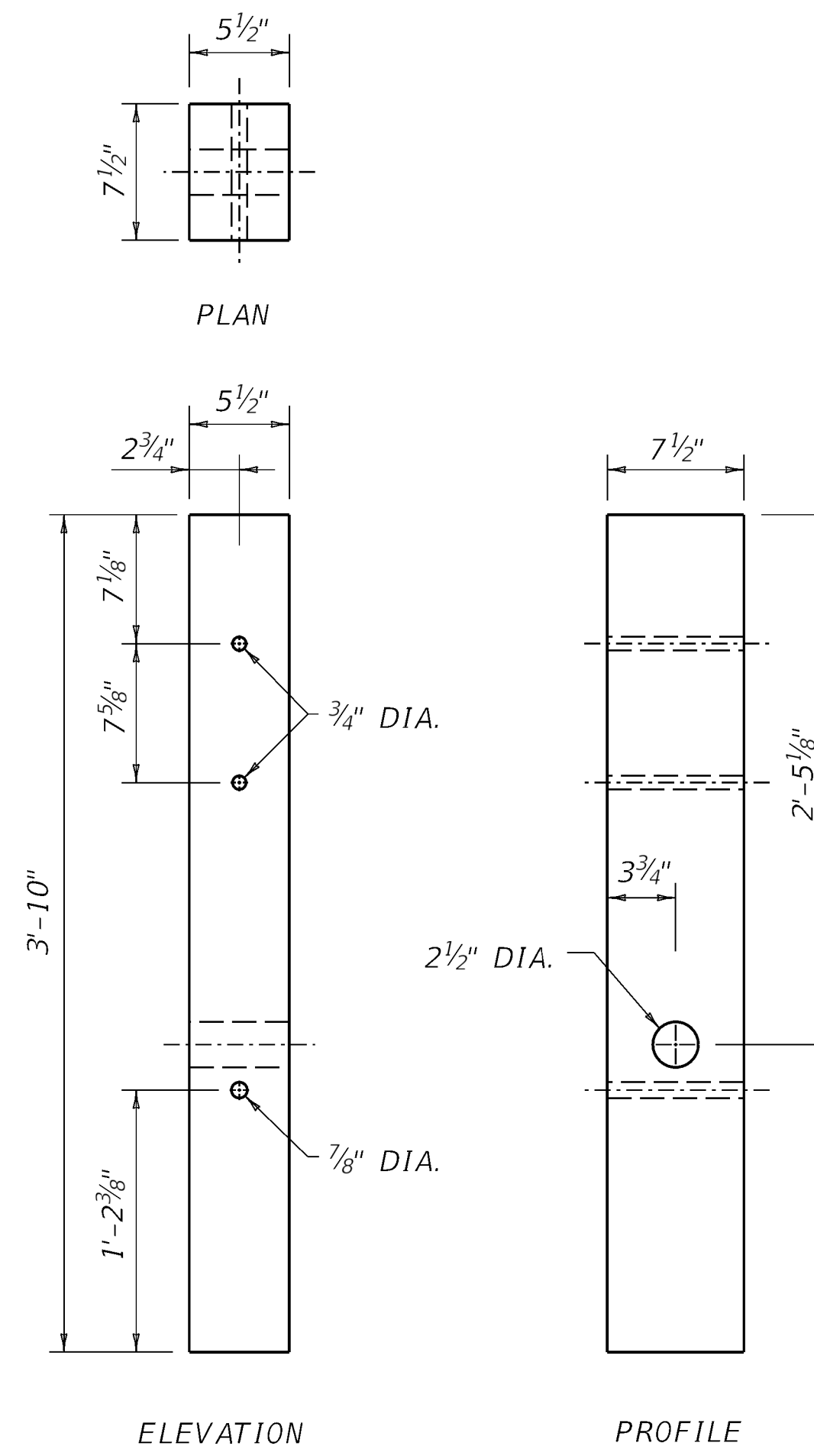


BLOCKOUT (D3)

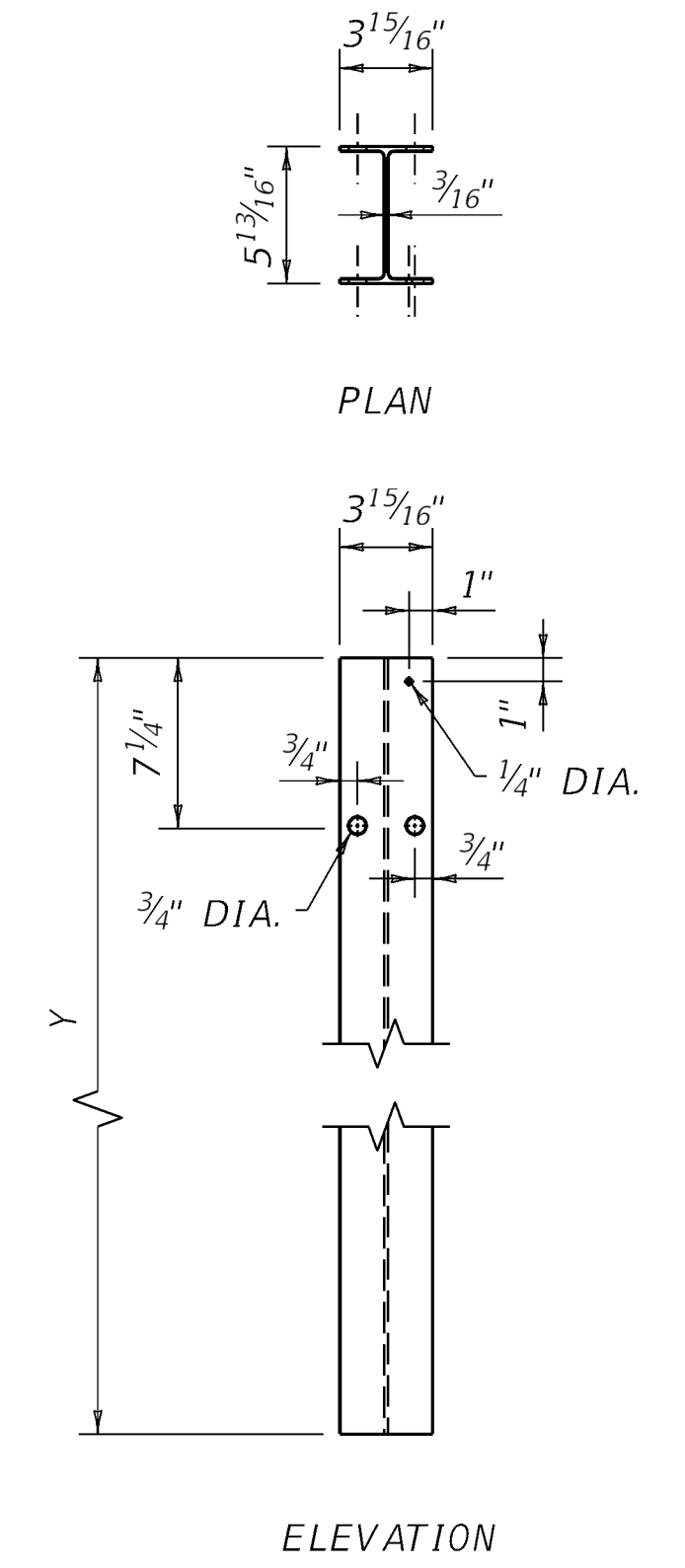


FOUNDATION TUBE (A1, A2, & B2)

| PART | LENGTH "X" |
|------|------------|
| A1 | 8' - 0" |
| A2 | 6' - 0" |
| B2 | 3' - 4" |

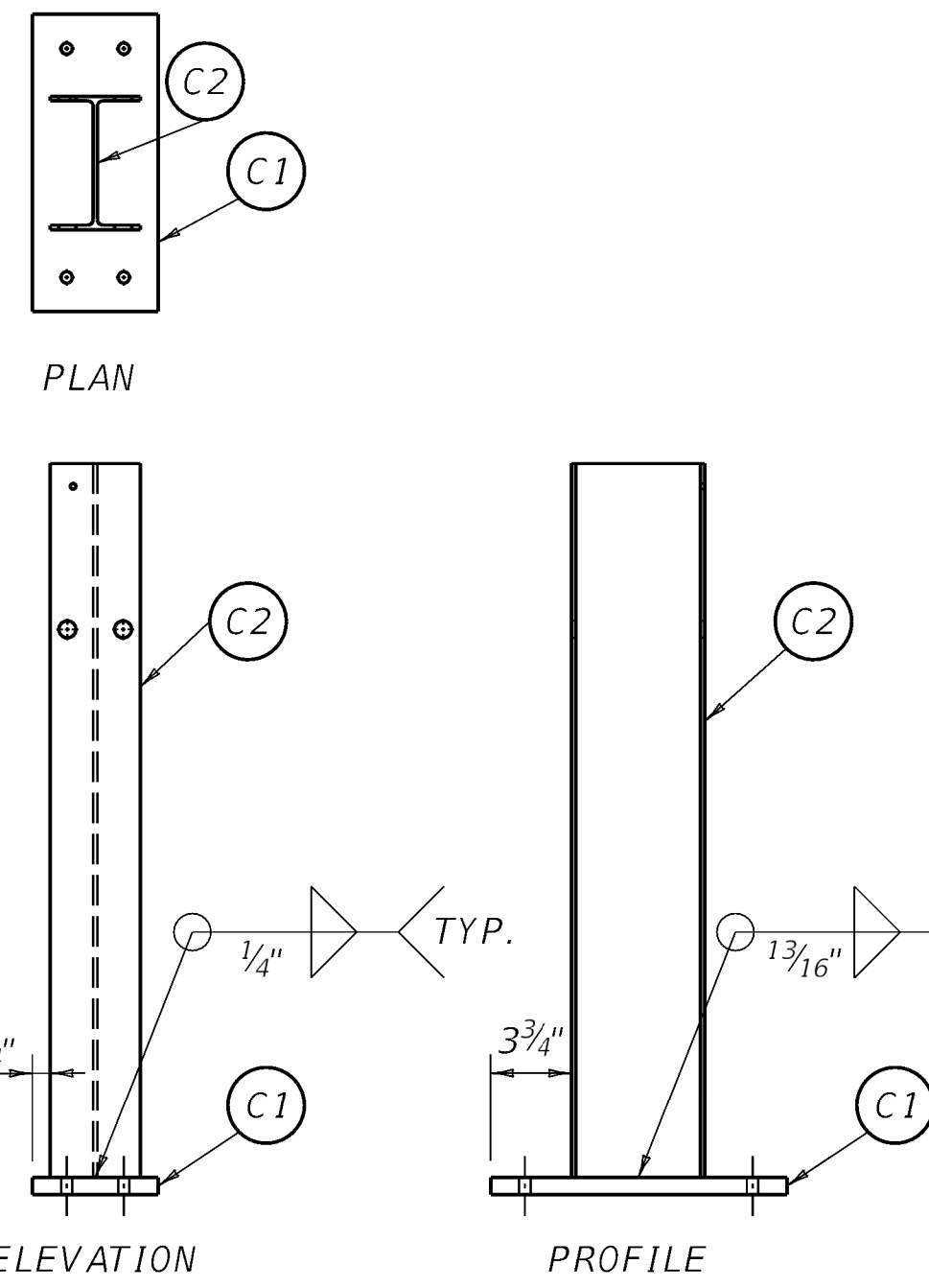


BCT POST (L1)

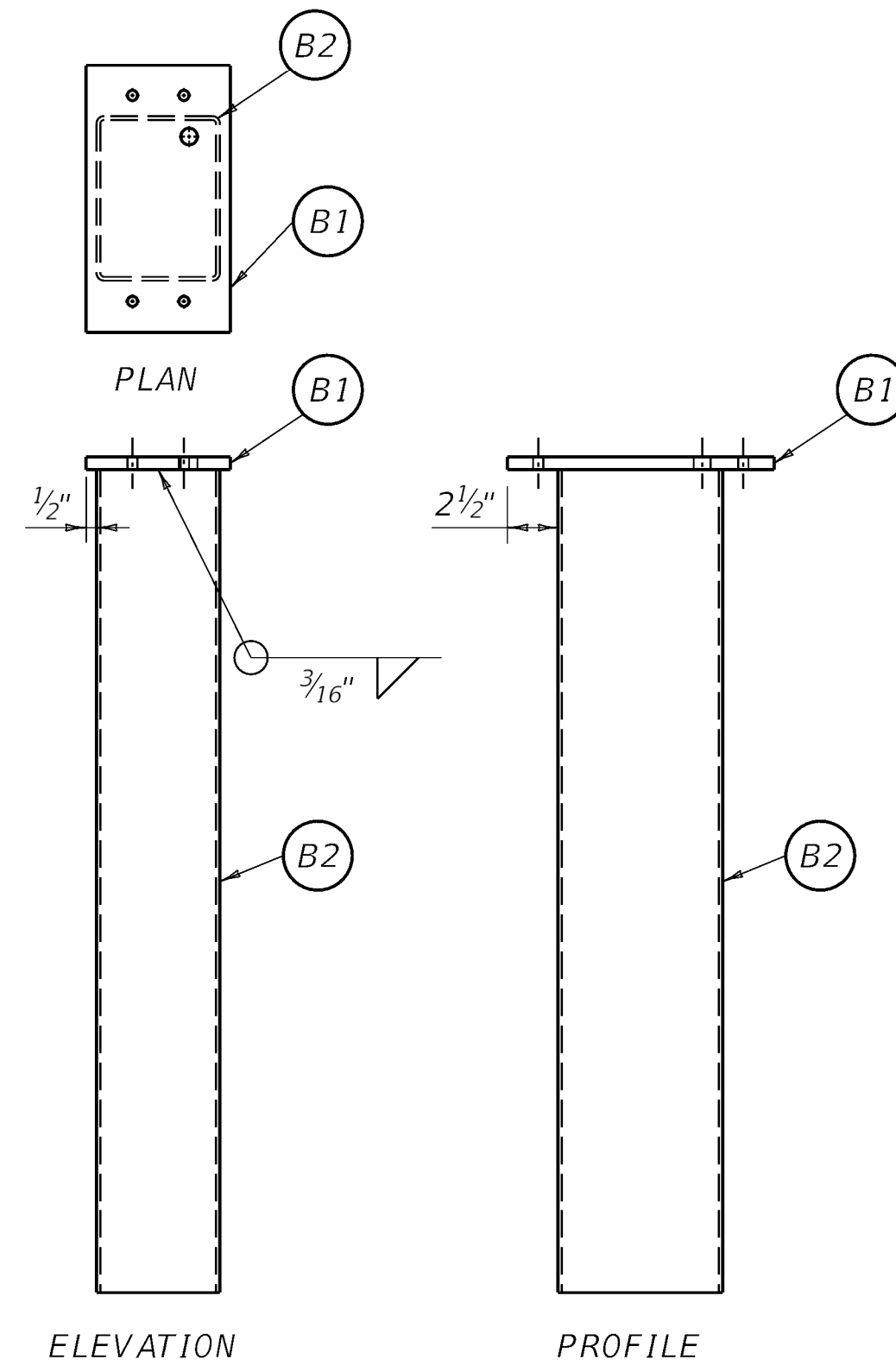


POST (M1 & C2)

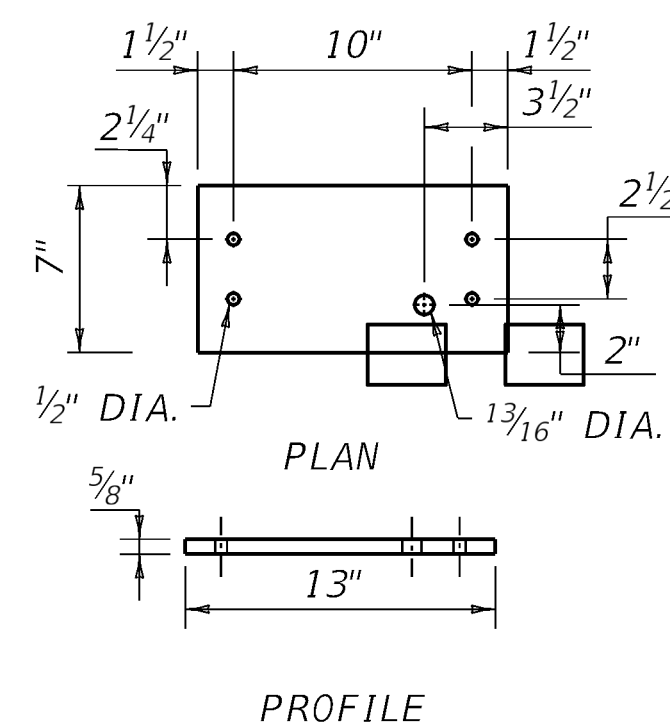
| PART | LENGTH "Y" |
|------|-------------|
| M1 | 6' - 6" |
| C2 | 2' - 7 1/4" |



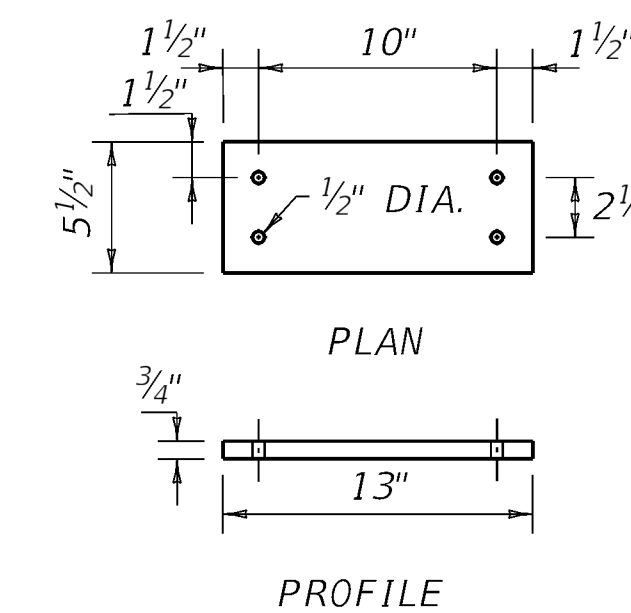
UPPER POST ASSEMBLY



LOWER POST ASSEMBLY



LOWER SHEAR PLATE (B1)



UPPER SHEAR PLATE (C1)

~ NOTES ~

700 SEE SHEET 10 FOR PART DESCRIPTIONS.

