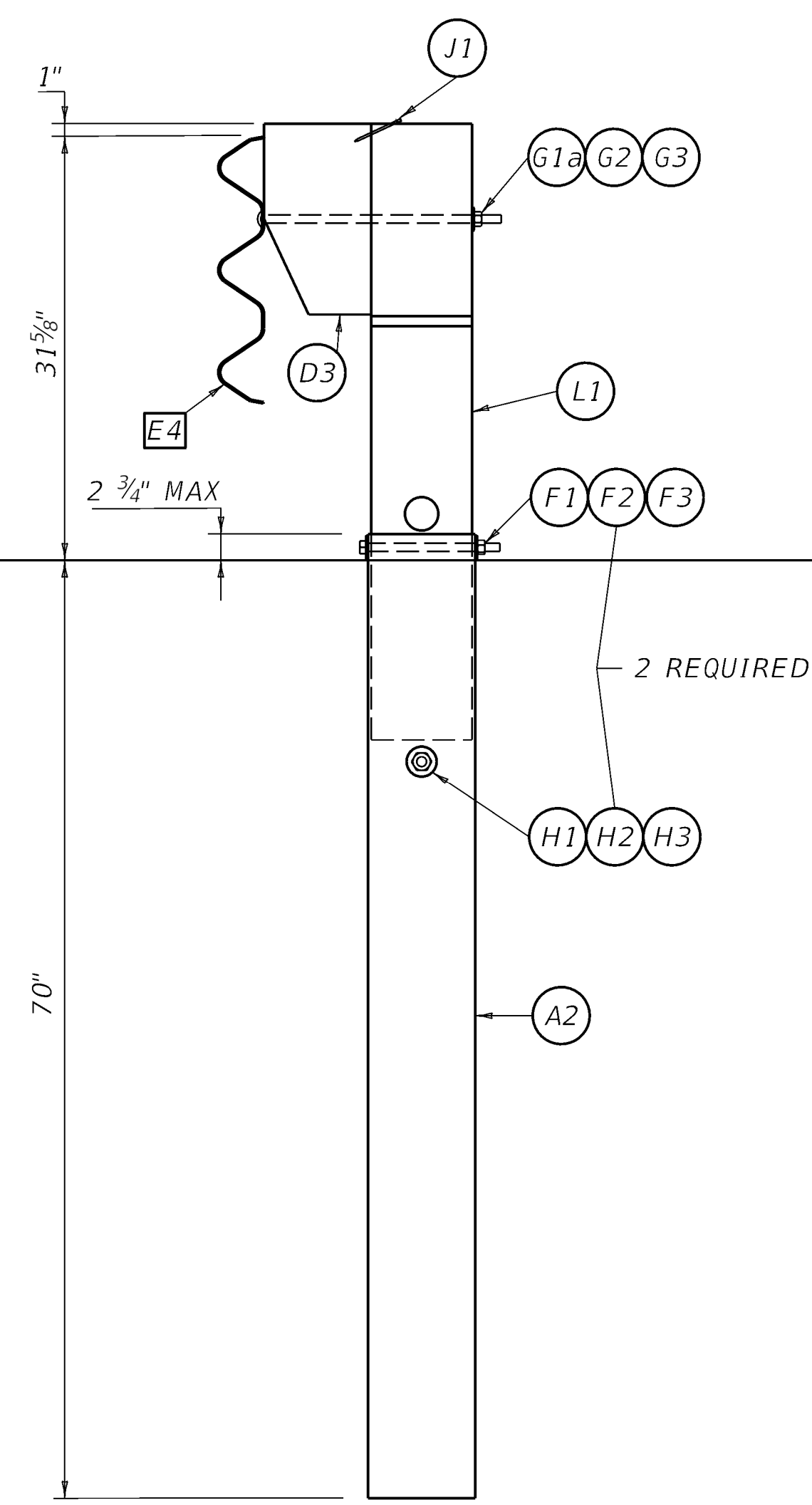
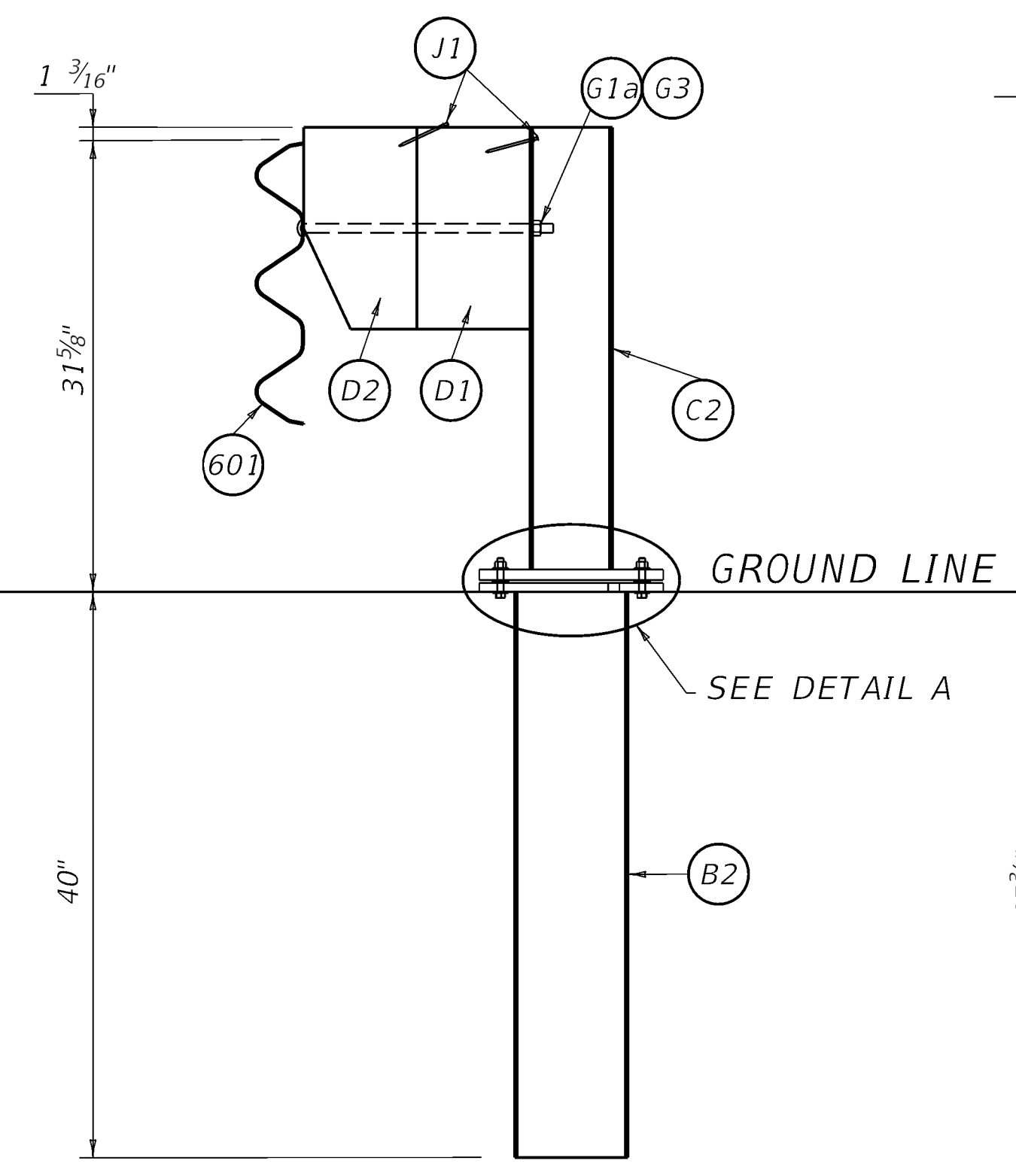


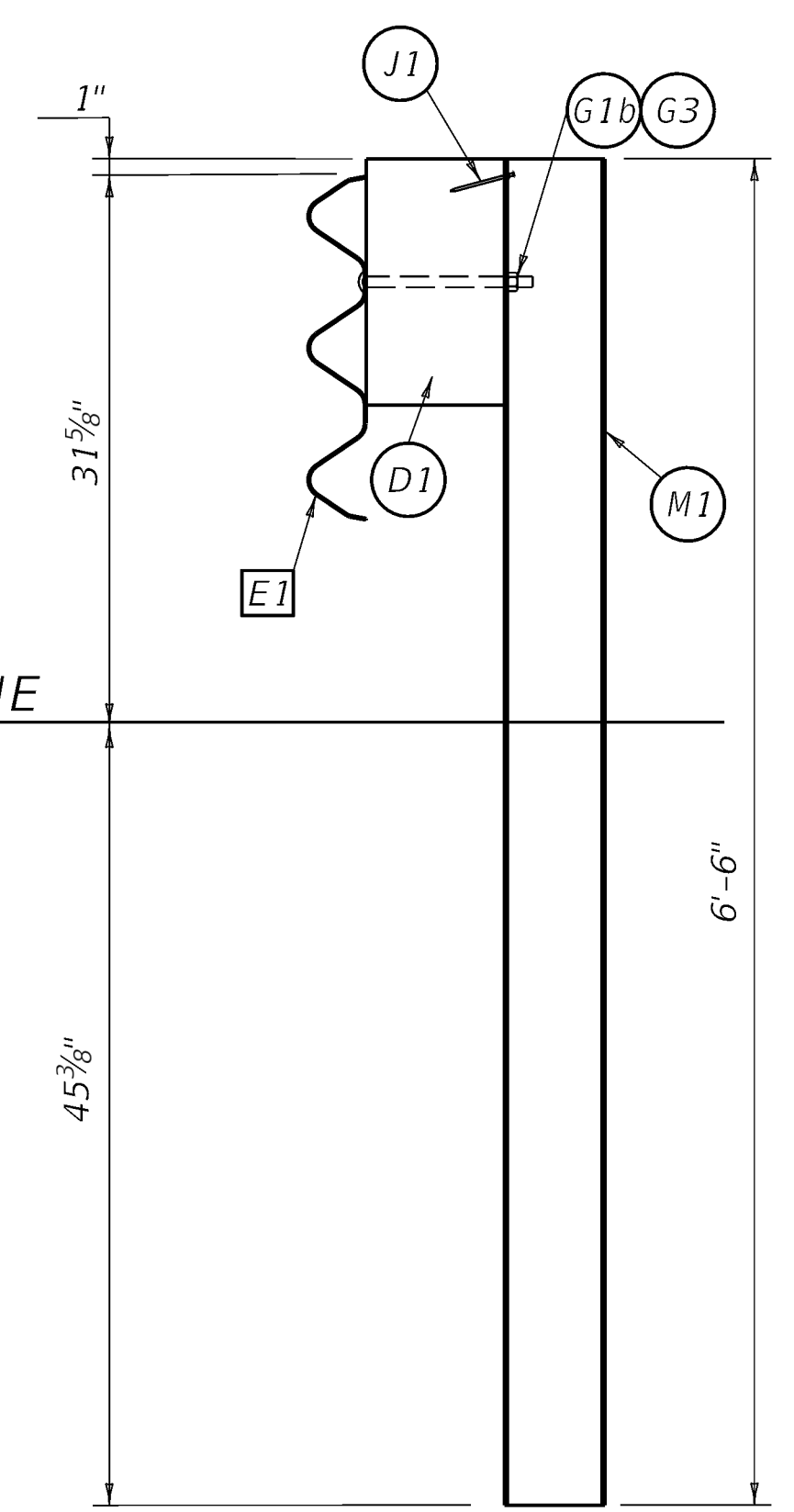
POST NO. 1



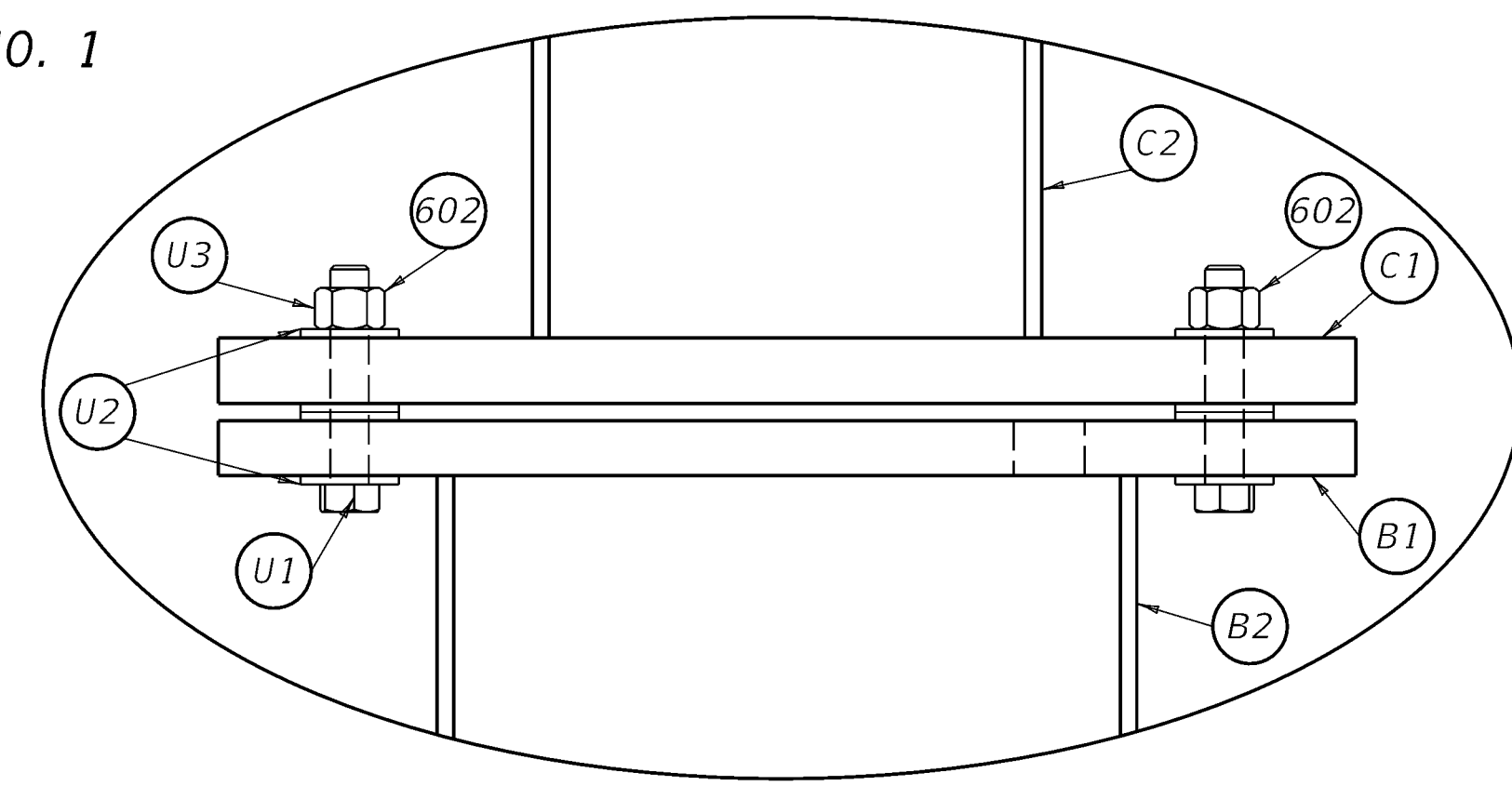
POST NO. 2



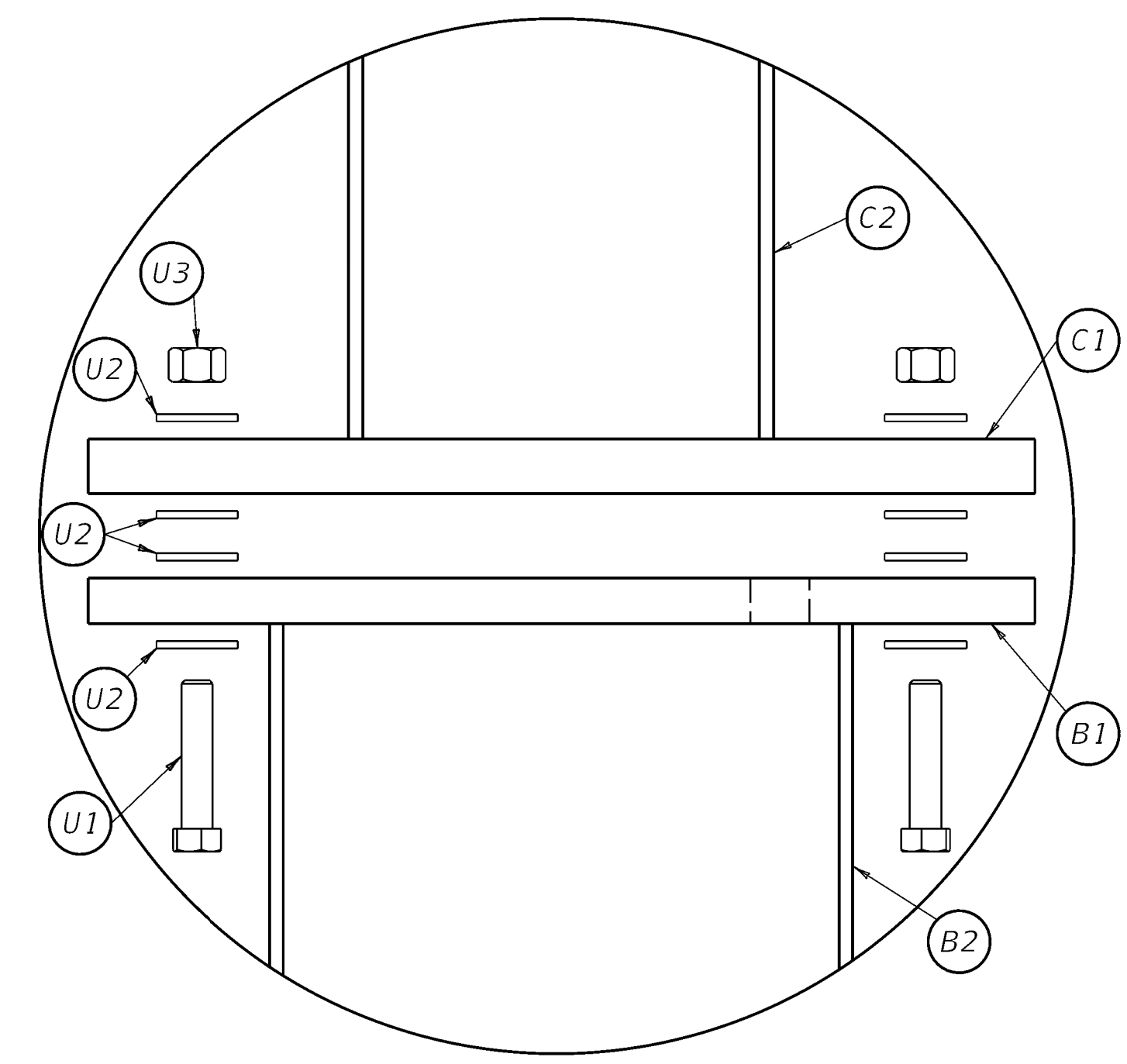
POST NOS. 3-8



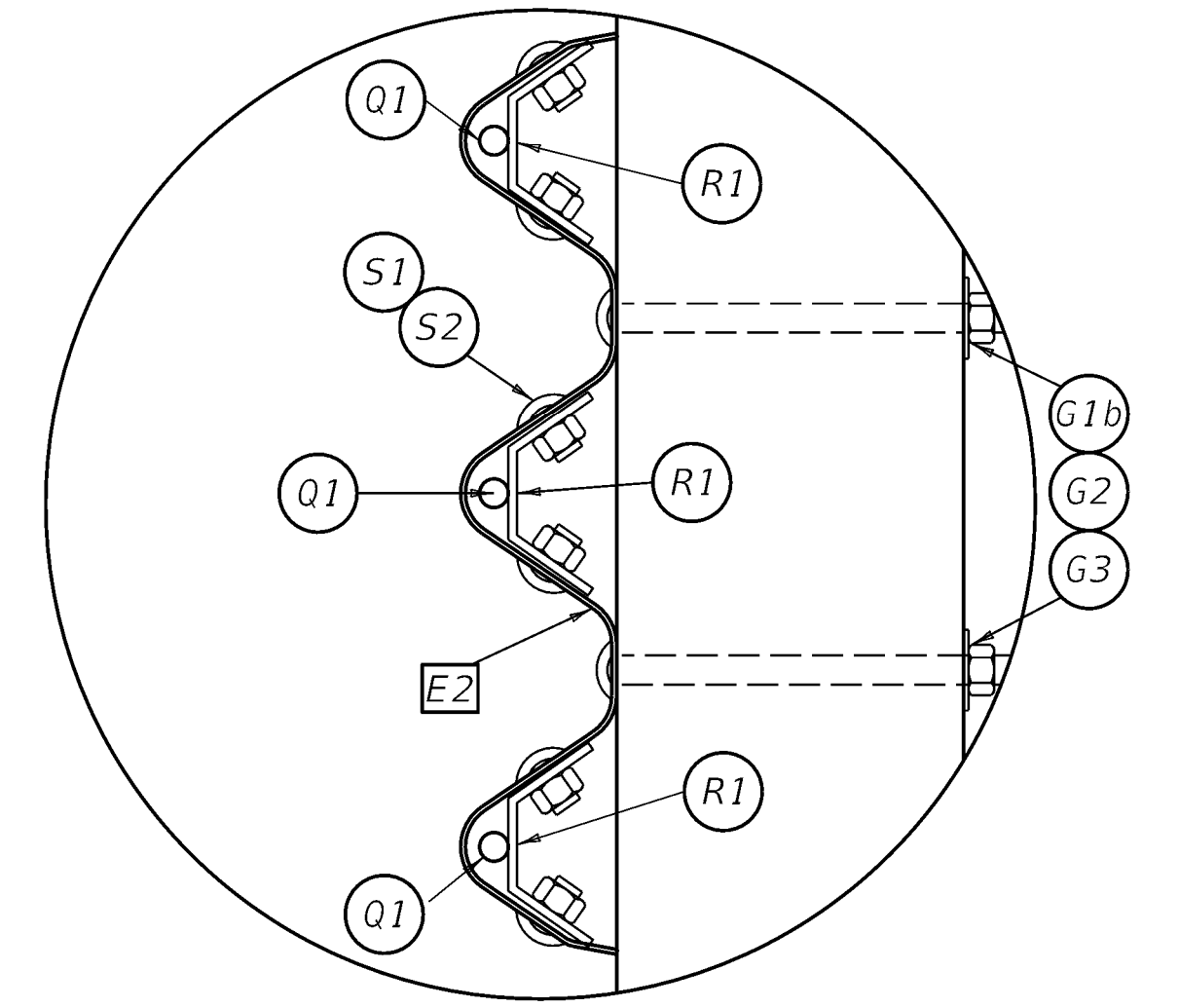
POST NOS. 9-13



DETAIL A



EXPLODED VIEW  
DETAIL A



DETAIL B

~ NOTES ~

- 600 SEE SHEET 10 FOR PART DESCRIPTIONS.
- 601 RAIL CAN BE E3 OR E4 DEPENDING ON POST LOCATION.
- 602 TORQUE BOLT BETWEEN 60-75 FT-LB.

REVISION DATE: 12.10.2024  
REVISION NUMBER: 0

SUBMITTED: 03-03-2025 DATE  
DIVISION DIRECTOR: [Signature] DATE  
APPROVED: STATE HIGHWAY ENGINEER DATE

BARRIERS