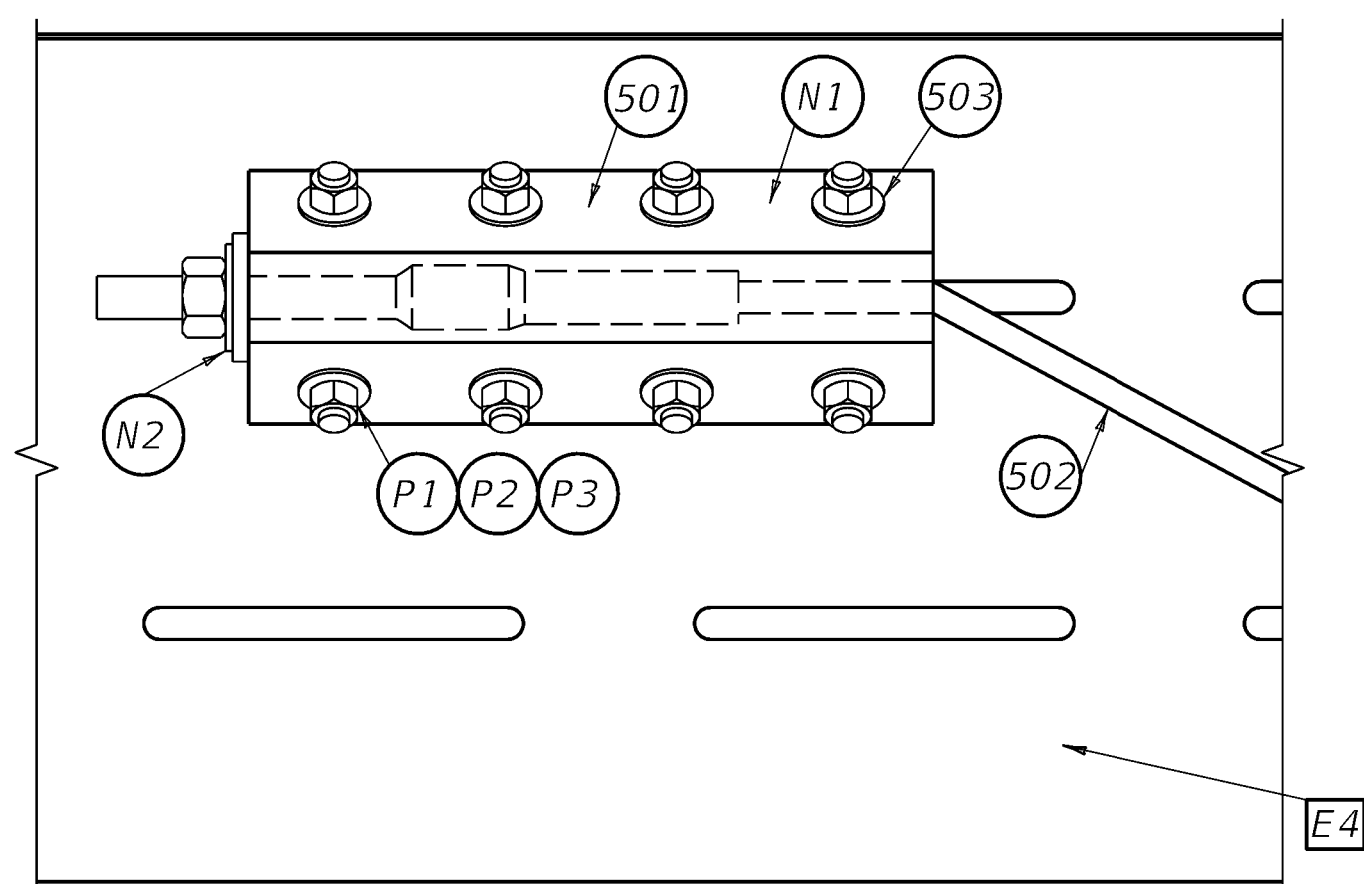
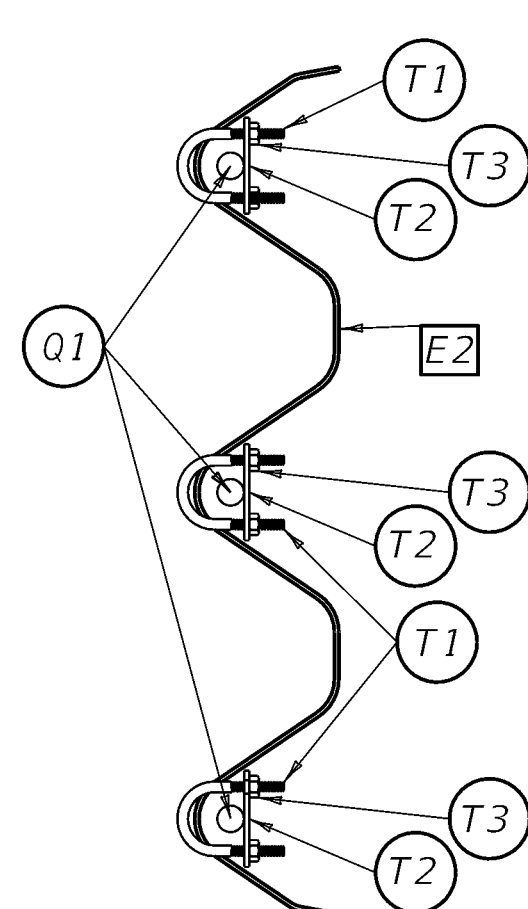


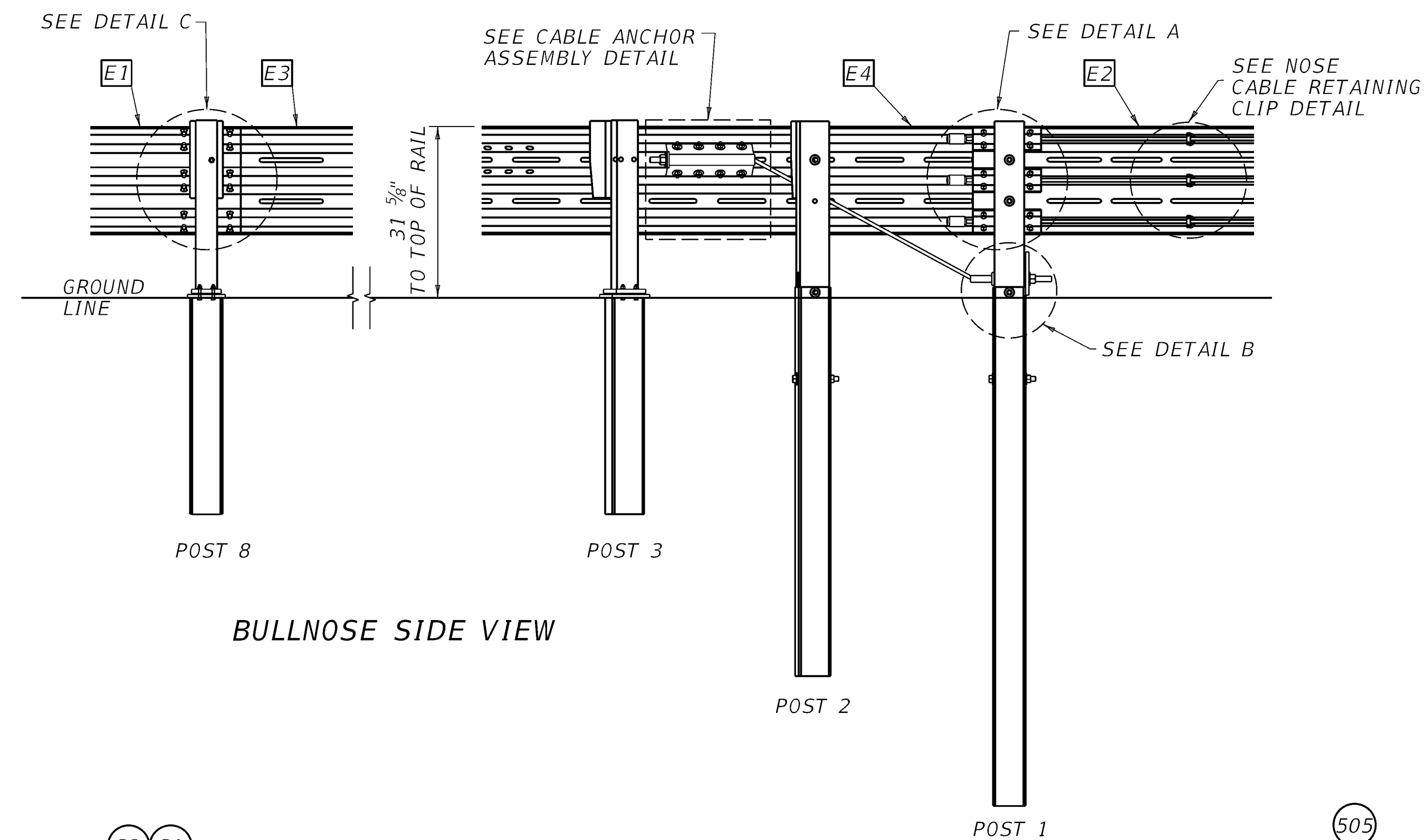
**PROFILE VIEW**  
CABLE ANCHOR  
ASSEMBLY CONNECTION



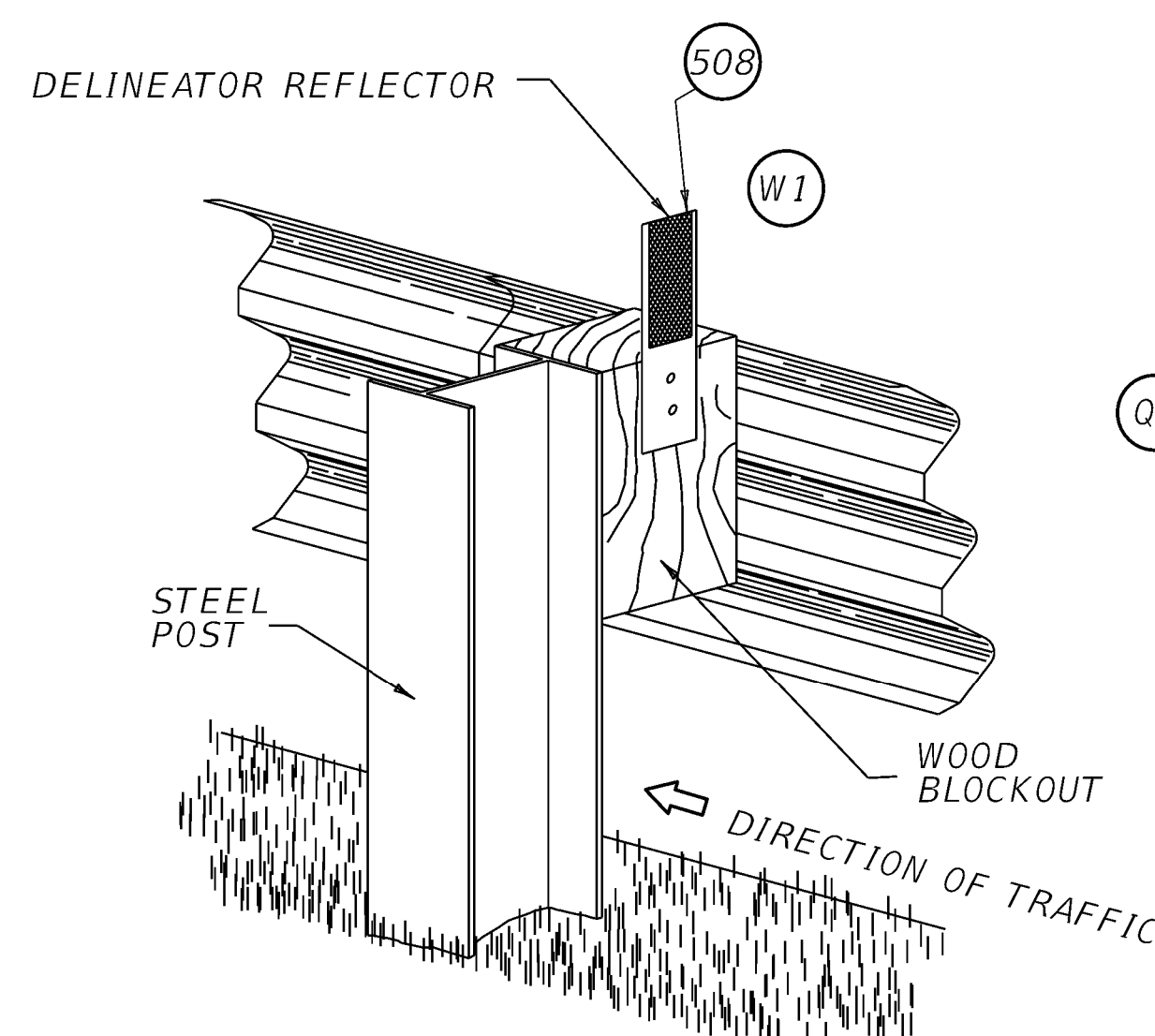
**CABLE ANCHOR ASSEMBLY**



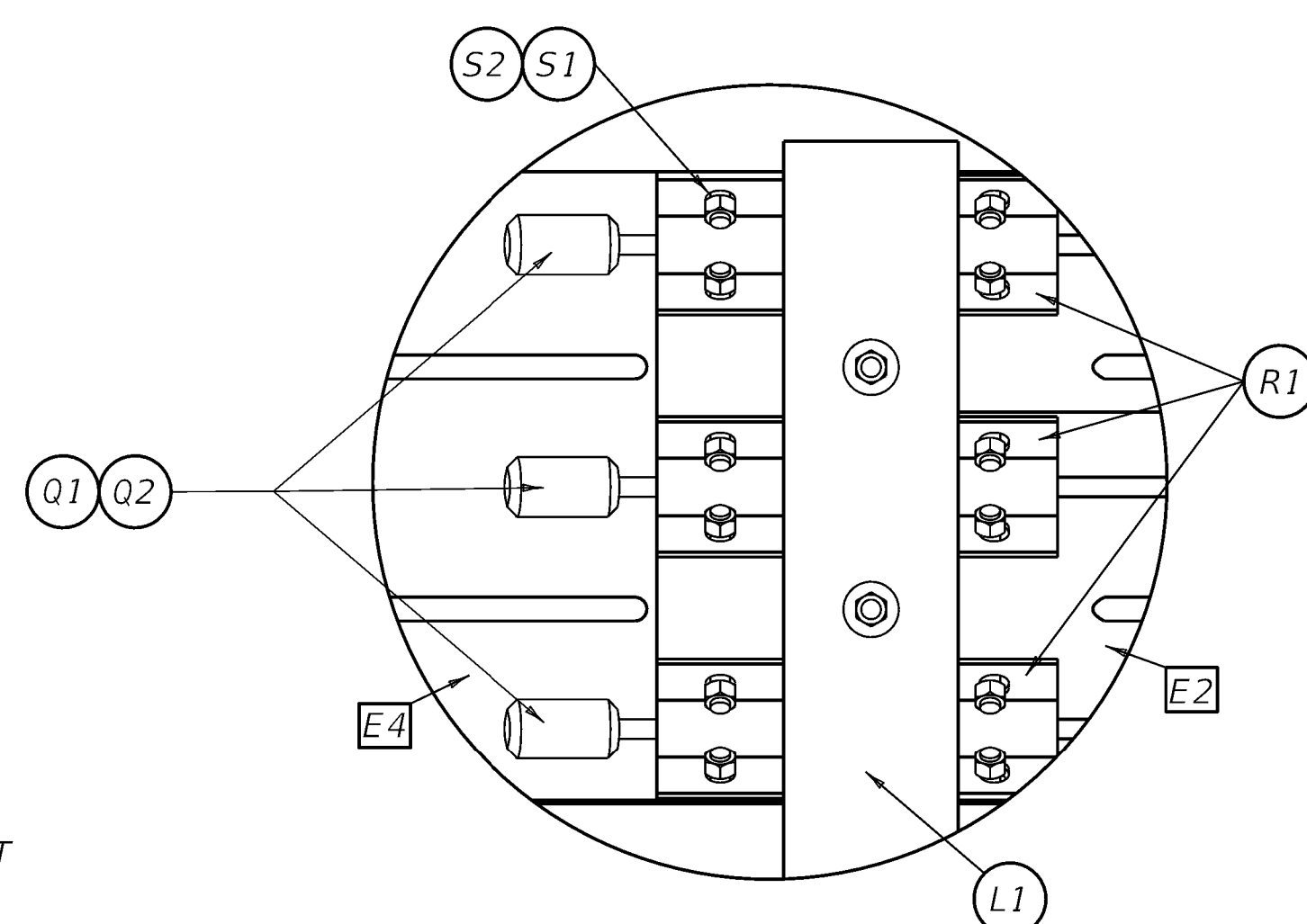
**NOSE CABLE  
RETAINING CLIP**



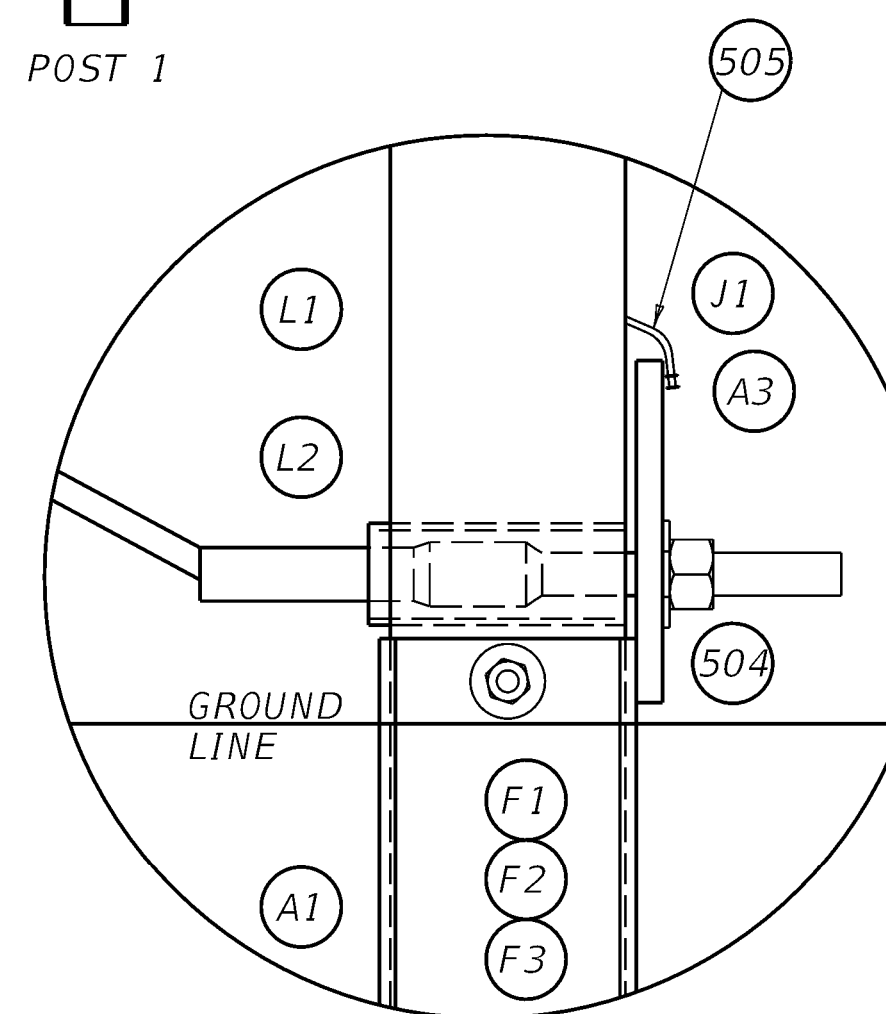
**BULLNOSE SIDE VIEW**



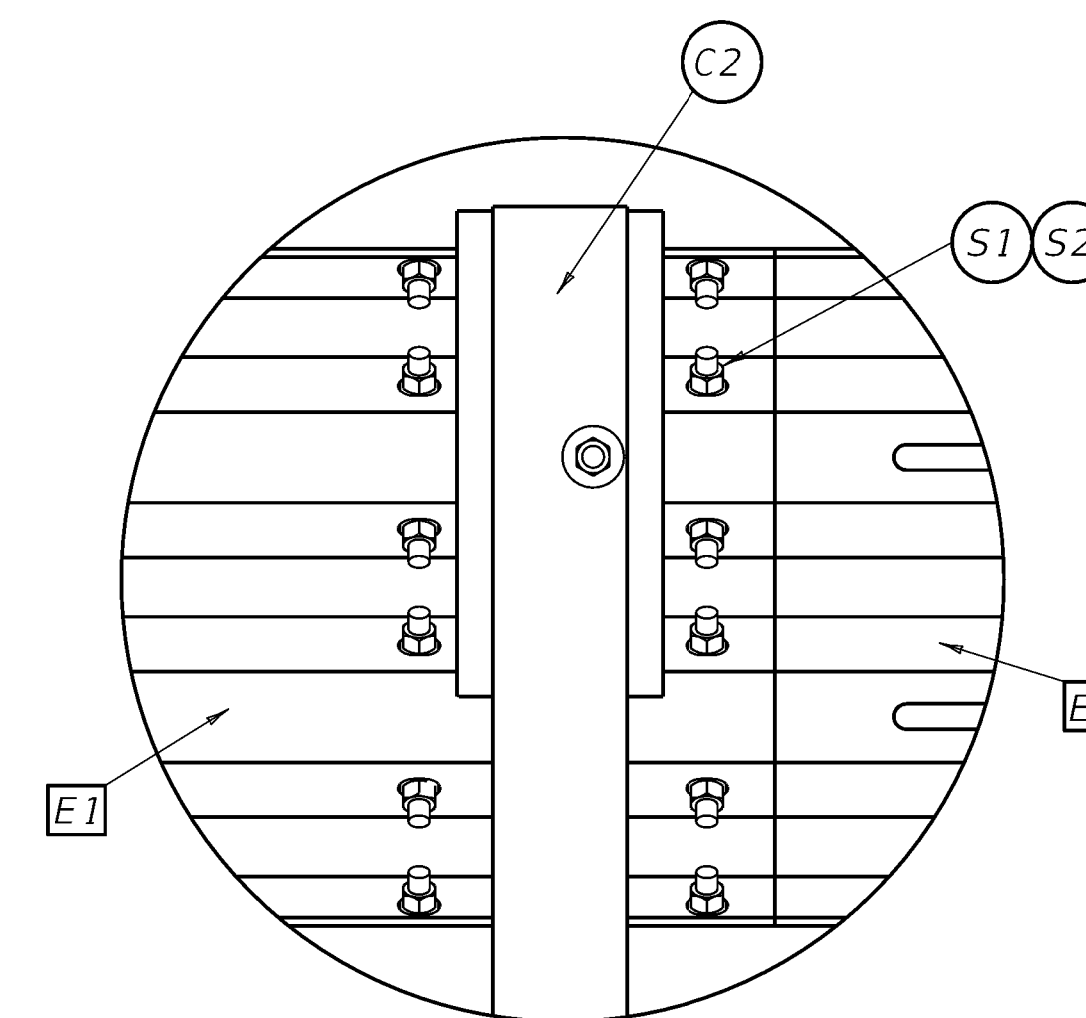
**ONE SIDED REFLECTOR DETAIL  
AND TYPICAL INSTALLATION**



**DETAIL A**



**DETAIL B**



**DETAIL C  
THRIE BEAM SPLICE**

**~ NOTES ~**

- 500 SEE SHEET 10 FOR PART DESCRIPTIONS.
- 501 SEE ANCHOR BRACKET ASSEMBLY DETAIL ON SHEET 9.
- 502 SEE ANCHOR CABLE ASSEMBLY DETAIL ON SHEET 9.
- 503 ONE WASHER BETWEEN BOLT HEAD AND RAIL AND BETWEEN NUT AND ANCHOR BRACKET ASSEMBLY.
- 504 ONE WASHER BETWEEN BOLT HEAD AND FOUNDATION TUBE AND BETWEEN NUT AND FOUNDATION TUBE.
- 505 BEND TWO NAILS OVER THE BEARING PLATE TO PREVENT ROTATION.
- 506 NO MATERIAL IS TO BE PLACED AGAINST THE VERTICAL FACES OF BEARING PLATE.
- 507 PREVENT OR REMOVE MATERIALS THAT BLOCK ACCESS TO BOLTS FOR POST ASSEMBLIES.
- 508 THE COLOR OF DELINEATORS MUST MATCH THE COLOR OF THE EDGELINE THEY SUPPLEMENT.
- 509 DELINEATOR SPACING SHOULD BE 100' WITH A MINIMUM OF 3 REFLECTORS. THE FIRST DELINEATOR SHOULD BE PLACED ON POST 3, ON THE ADJACENT TRAFFIC SIDE OF THE BULLNOSE.

