

# 45° SKEW 24'-0" - 25'-6" BRIDGE WIDTH 2:1 FILL SLOPES

MARK		A1		A2		A3		A4		A5		A6				A7		A8		A9		A10		A11		A12		A13		A14		A15		A16		A17		A18																																							
TYPE		Str.		Str.		Str.		Str.		Str.		4				Str.		Str.		Str.		8		8		#5		#5		#5		#5		#5		#5																																									
SIZE						#5		#5		#5										#5		#5		#5		#5		#5		#5		#5		#5		#5																																									
H	No.	Length	Spacing	No.	Length	Spacing	No.	Length	Spacing	No.	Length	Spacing	No.	Length	Spacing	No.	Length	Spacing	No.	Length	Spacing	No.	Length	Spacing	No.	Length	Spacing	No.	Length	Spacing	No.	Length	Spacing	No.	Length	Spacing	No.	Length	Spacing																																						
15-16	101	10	11	8	12	10	7	11	8	12	24	20	6	24	38	11	24	50	9	98	9	9	11	12	8	1/2	1	10	0	11	1/2	8	6	10	2	5	4	11	12	98	6	12	10	12	102	12	10	12	14	4	1	8	14	38	2	14	18	6	14	18	1	14	52	3	14	48	1	2	45	0	2	21	11	140	5	9	
13-14	95	9	10	8	12	95	7	10	8	12	22	18	2	22	34	10	22	50	4	92	8	8	3	12	6	1	1	3	0	8	7	3	96	5	4	11	12	92	6	10	10	12	96	10	10	12	12	37	9	12	34	2	12	16	6	12	16	1	12	52	4	12	48	1	2	41	0	2	19	11	128	5	9				
11-12	90	8	9	8	12	90	6	9	8	12	20	15	10	20	29	9	20	49	11	85	7	7	1	12	5	10	1/2	1	2	0	7	6	2	89	5	4	11	12	85	5	8	10	12	89	8	10	12	10	32	9	10	29	2	10	14	6	10	14	1	10	52	4	10	48	1	2	36	0	2	17	11	114	5	9			
9-10	83	7	8	8	12	83	5	8	8	12	18	13	6	18	24	8	18	49	6	78	6	6	1	12	5	1	1	0	0	6	5	4	82	5	4	11	12	78	5	6	10	12	82	6	10	12	82	6	10	12	8	27	9	8	24	2	8	12	6	8	12	1	8	52	4	8	48	1	2	31	0	2	15	11	100	5	9
7-8	78	6	7	2	12	78	5	7	2	12	16	10	11	16	18	11	16	48	7	71	5	5	7	12	4	8	0	10	0	5	4	11	75	5	4	11	12	71	5	4	10	12	75	4	10	12	6	22	10	6	19	2	6	10	6	6	10	1	6	52	5	6	48	1	2	26	0	2	13	11	86	5	9				
5-6	71	5	6	2	12	71	5	6	2	12	14	8	7	14	13	9	14	48	2	64	5	5	7	12	4	8	0	10	0	5	4	11	68	5	4	11	12	64	5	2	10	12	68	2	10	12	4	17	10	4	14	2	4	8	6	4	8	1	4	52	5	4	48	1	2	21	0	2	11	11	72	5	9				

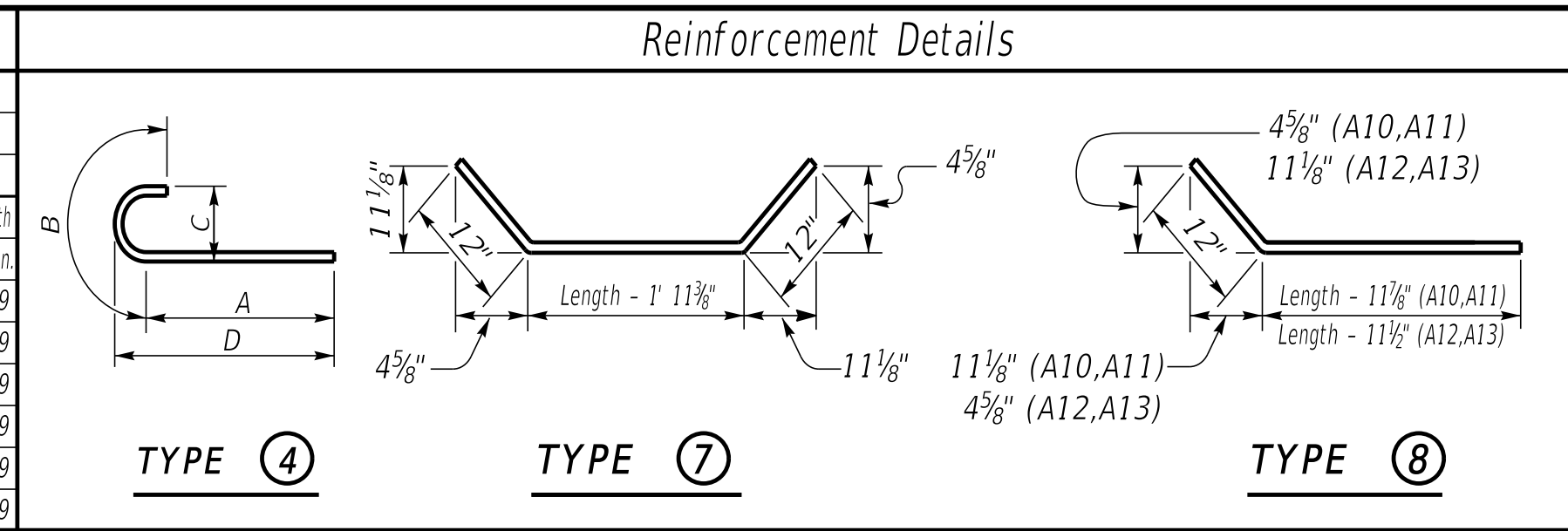
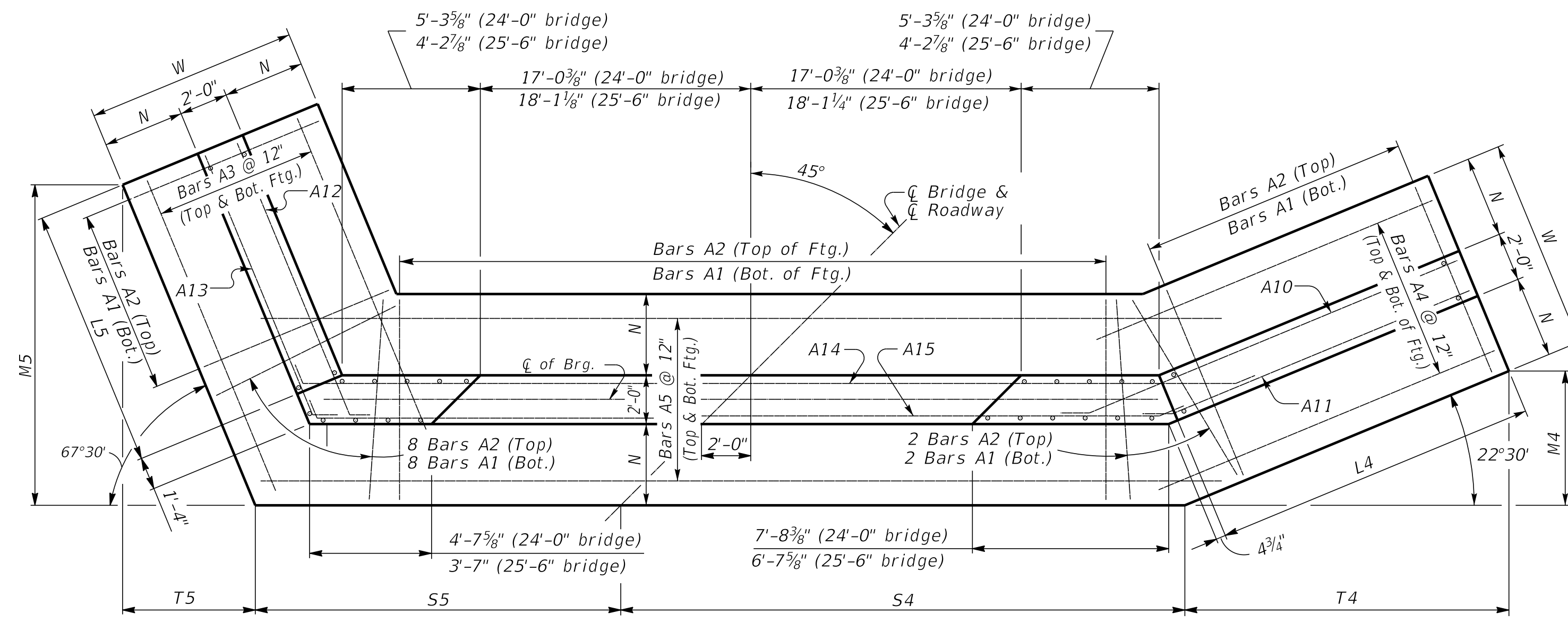


Table of Dimensions											
H	W	N	M4	M5	S4	S5	T4	T5	L4	L5	
Length	Length	Length	Length	Length	Length	Length	Length	Length	Length	Length	Length
15-16	12	0	5	0	14	8 1/2	19	1 1/2	30	8 3/4	20
13-14	11	0	4	6	13	1 1/2	16	1 3/4	30	1 1/2	20
11-12	10	0	4	0	11	2	14	9 1/2	29	6 3/4	20
9-10	9	0	3	6	9	2 1/2	12	7 1/2	28	11 1/2	20
7-8	7	6	2	9	7	3	10	3 3/8	28	9 1/2	17
5-6	6	6	2	3	5	3 3/8	8	2	27	5 1/2	20

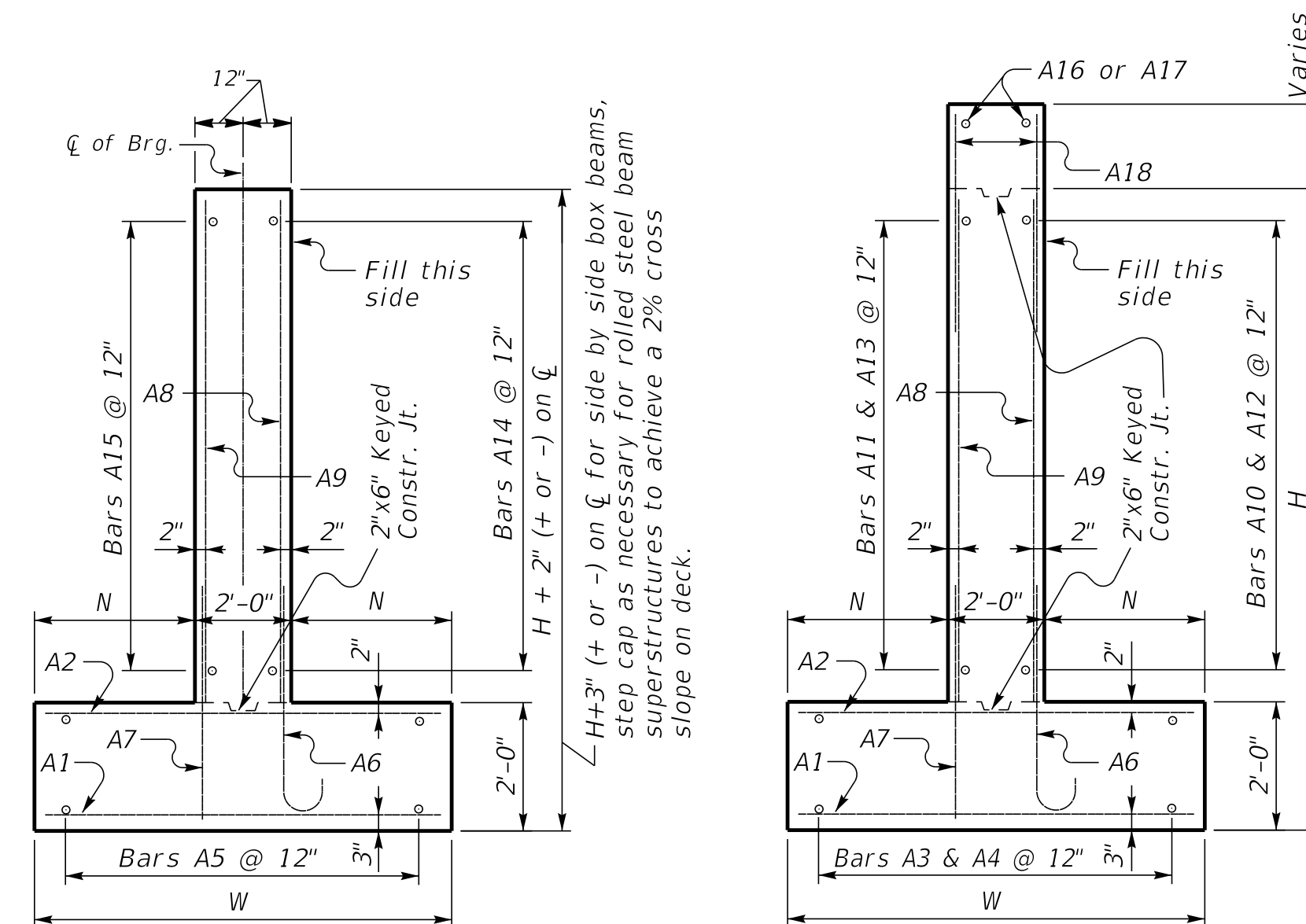
4 foot min. shoulder



(Left Skew as shown; right skew opp. hand)

PLAN

NOTE: Trim A16 & A17 bars if necessary



WALL SECTION

WING SECTION

## GENERAL NOTES

**SPECIFICATIONS:** Construct abutments according to the current edition of the Kentucky Department of Highways Standard Specifications for Road and Bridge Construction. Abutments are designed for side by side box beams as detailed in Standard Drawings BDP-001 through BDP-012, current edition. Dimensions may be adjusted to allow for 25'-6" rolled steel beam bridge width.

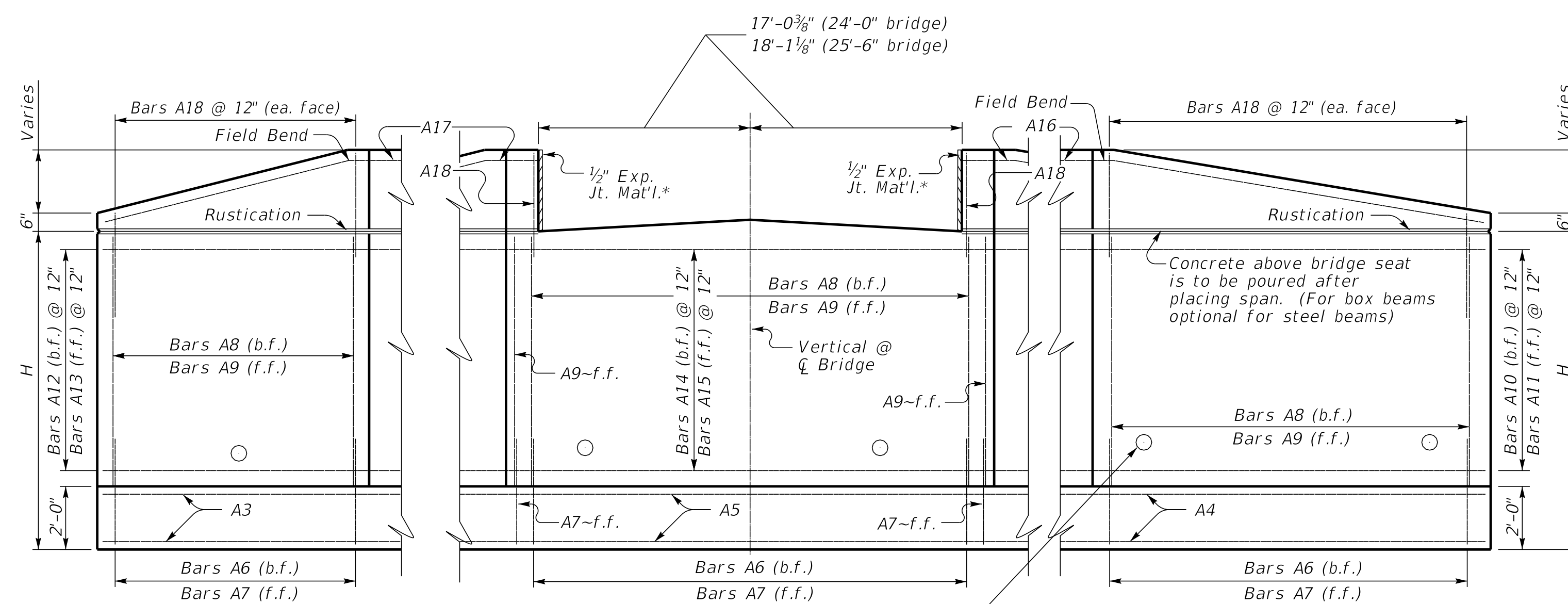
**FOUNDATION PRESSURE:** Construct abutment footings on solid rock bearing material that can support a pressure of 8000 psf service or 10,800 psf strength factored as recommended by a geotechnical engineer.

**WING LENGTHS:** Calculated assuming 21" superstructure depth and stream bank elevation at top of footing.

**FOOTING ELEVATION:** Construct bottom of footing below the anticipated scour elevation. (This typically entails embedding the footings 1'-0" to 2'-0" into rock and pouring concrete directly against cut rock faces as recommended by geotechnical engineer.)

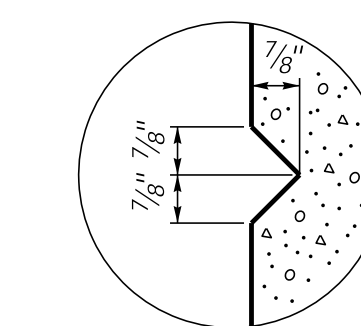
**NOTE:** Distances to bars shown are clear dimensions unless otherwise noted.

**MATERIAL SPECIFICATIONS:**  
Concrete, Class "A" = 3500 psi  
Steel Reinforcement = Grade 60



ELEVATION

Place 4" weep hole drains at 8'-0" centers at such elevation as to afford best drainage of backfill, in accordance with the Standard Specifications.



RUSTICATION GROOVE

\*Expansion Joint Material:  
AASHTO M153  
Type-I Sponge Rubber

Quantities		
H	Concrete*	Reinforcement
	C.Y.	LBS.
5	50.3	4189
6	55.2	4189
7	72	5902
8	77.4	5902
9	99.8	8339
10	105.7	8339
11	128	11734
12	134.4	11734
13	159.4	16476
14	166.3	16476
15	191.8	21351
16	199.2	21351

\*Concrete quantities computed using 21" beam depth on 1/2" pad & 24'-0" Bridge Width



COMMONWEALTH OF KENTUCKY  
DEPARTMENT OF HIGHWAYS



DRAWING TITLE: SEPIA 089 - 45° SKEW 24'-0"-25'-6" BRIDGE WIDTH 2:1 FILL SLP, 4' MIN. SHLDR.

SUBMITTED *Michael Cost* 10/25/2024  
DIVISION DIRECTOR DATE

ITEM NO. COUNTY OF

SHEET NO.