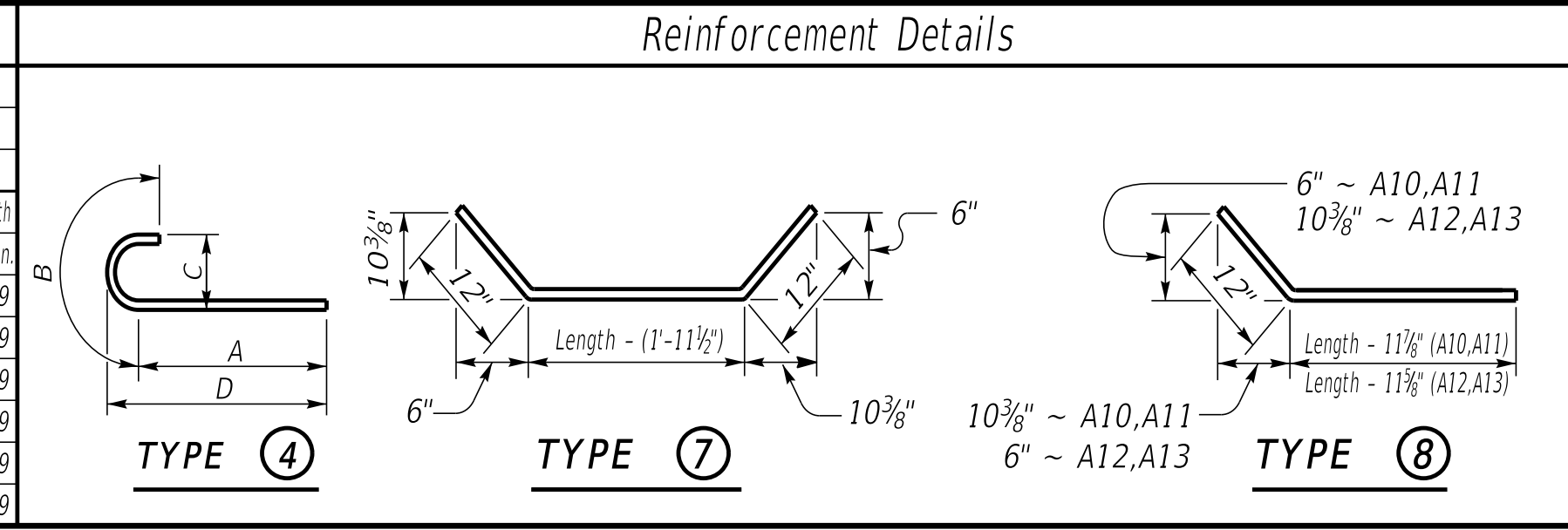


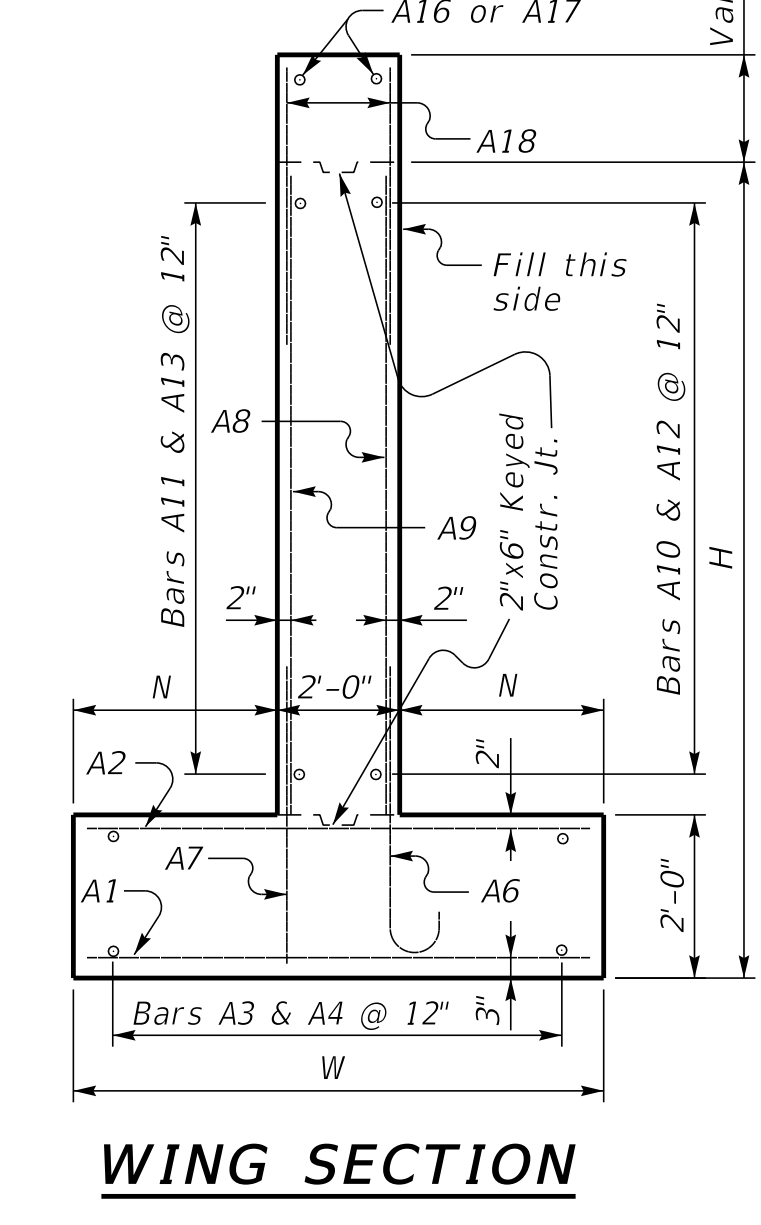
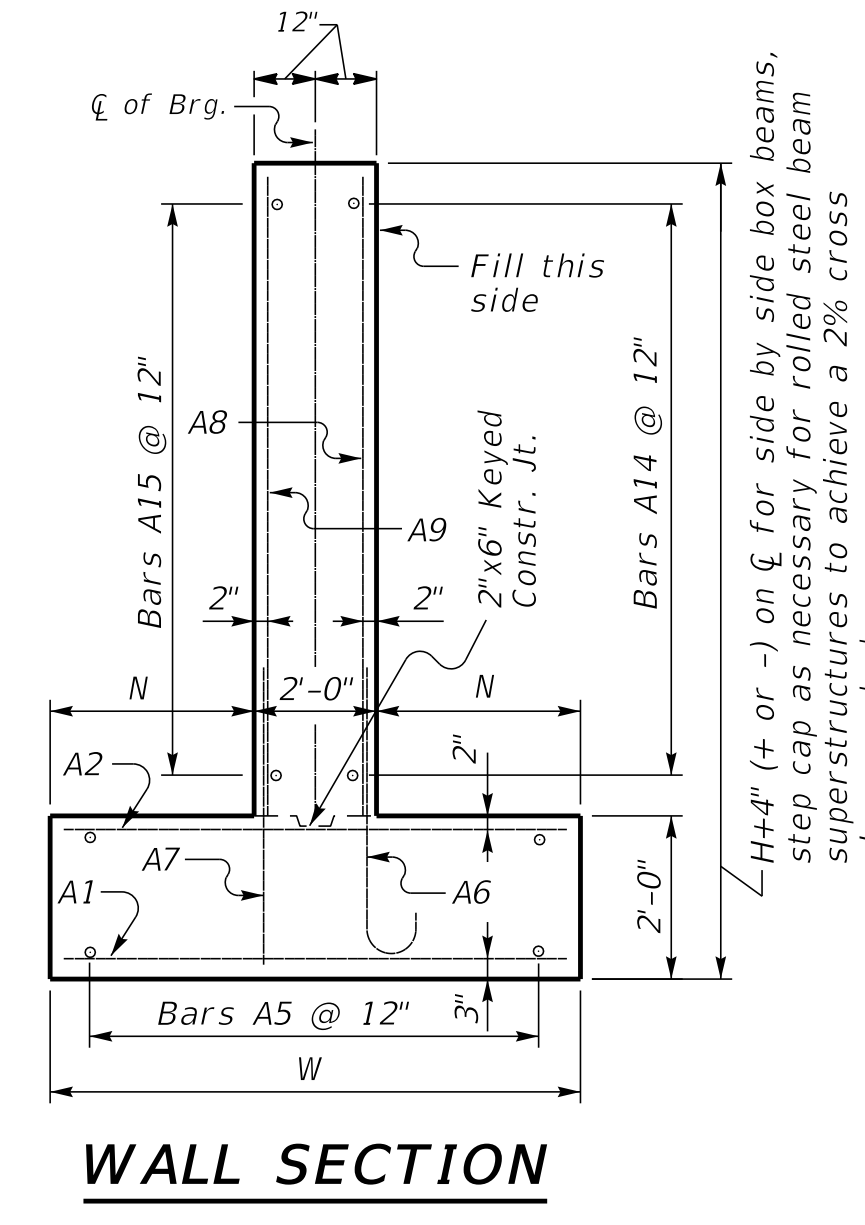
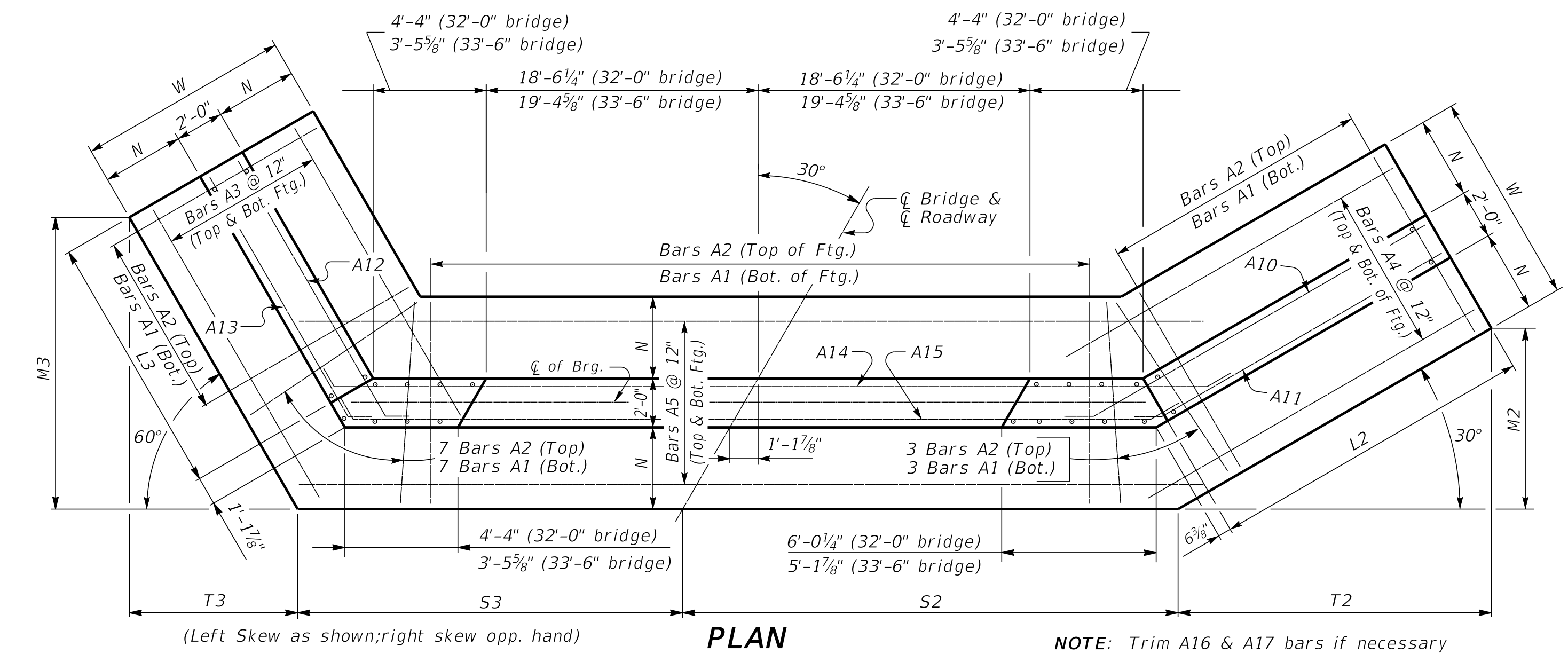
30° SKEW 32'-0" - 33'-6" BRIDGE WIDTH 2:1 FILL SLOPES

MARK		A1	A2	A3	A4	A5	A6				A7	A8	A9	A10	A11	A12	A13	A14	A15	A16	A17	A18							
TYPE		Str.	Str.	Str.	Str.	Str.	4				Str.	Str.	Str.	8	8	8	7	7	Str.	Str.	Str.								
SIZE				#5	#5	#5							#5	#5	#5	#5	#5	#5	Str.	Str.	#5	#5							
H	No.	Length	Length	Length	Length	Length	Length	Length	Length	Length	Length	Length	Length	Length	Length	Length	Length	Length	Length	Length	Length	Length							
15-16	95	10 11 8	12 95	7 11 8	12 24 20	11 24 31	2 24 51	9 92	9 9	11 12	8 9	11 12	8 9	11 12	8 9	11 12	8 9	11 12	8 9	11 12	8 9	11 12	8 9						
13-14	88	9 10 8	12 88	7 10 8	12 22 17	8 22 27	1 22 51	4 85	8 8	3 12	6 11	1 3 0	8 7 3	89	5 4	11 12	8 5	10 10 12	89	10 10 12	12 28 10	12 26 4	12 16 8	12 15 11	14 52 6	14 49 2	2 35 6	2 22 5	121 5 9
11-12	83	8 9 8	12 83	6 9 8	12 20 15	5 20 22	11 20 50	11 79	7 7	1 12	5 10 1/2	1 2 0	7 6 2	83	5 4	11 12	7 9	8 10 12	83	8 10 12	10 24 10	10 22 4	10 14 8	10 13 11	10 52 7	10 49 2	2 27 6	2 17 5	95 5 9
9-10	79	7 8 8	12 79	5 8 8	12 18 13	1 18 19	10 18 50	6 74	6 6	1 12	5 1 1 0 0	6 5 4	78	5 4	11 12	7 4	5 6 10 12	78	6 10 12	8 21 10 8	19 4 8	12 8 8	11 11 8	8 52 7	8 49 2	2 24 6	2 15 5	85 5 9	
7-8	74	6 7 2	12 74	5 7 2	12 16 10	6 16 14	2 16 49	7 67	5 5	7 12	4 8 1/2	0 10 0	5 4 11	71	5 4	11 12	6 7	4 10 12	71	4 10 12	6 16 11	6 14 4	6 10 8	6 9 11	6 52 7	6 49 2	2 19 6	2 13 5	71 5 9
5-6	69	5 6 2	12 69	5 6 2	12 14 8	3 14 11	0 14 49	2 62	5 5	7 12	4 8 1/2	0 10 0	5 4 11	66	5 4	11 12	6 2	5 10 12	66	2 10 12	4 13 11	4 11 4	4 8 8	4 7 11	4 52 7	4 49 2	2 16 6	2 11 5	61 5 9



H	W	N	M2	M3	S2	S3	T2	T3	L2	L3
15-16	12 0	5 0	15 5/8	18 2 3/4	28 9 1/4	22 10 1/4	26 8 1/4	10 6 1/4	29 17	
13-14	11 0	4 0	13 4 1/2	15 4 1/2	28 9 1/4	22 10 1/4	23 1 1/8	8 10 1/4	25 14	
11-12	10 0	4 0	11 3 3/4	13 4 1/4	27 11 1/4	22 10 1/4	19 7 7 3/8	21 12		
9-10	9 0	3 0	9 8 1/2	11 4 1/2	27 6	22 10 1/4	16 10 3/8	6 7 18 10		
7-8	7 6	2 9 7 1/8	9 3 3/8	26 10 3/8	22 10 1/4	12 4 3/8	5 4 1/2	13 8		
5-6	6 6	2 3 5 6 1/8	7 3 1/2	26 5 3/8	22 10 1/4	9 7 3/4	4 2 3/4	10 6		

4 foot min. shoulder



H	Concrete*	Reinforcement
	C.Y.	LBS.
5	48.4	3999
6	53.1	3999
7	67.6	5511
8	72.7	5511
9	94.4	7853
10	100	7853
11	118.7	10818
12	124.6	10818
13	146.9	15177
14	153.3	15177
15	179.8	19998
16	186.7	19998

*Concrete quantities computed using 21" beam depth on 1/2" pad & 32'-0" Bridge Width

GENERAL NOTES

SPECIFICATIONS: Construct abutments according to the current edition of the Kentucky Department of Highways Standard Specifications for Road and Bridge Construction. Abutments are designed for side by side box beams as detailed in Standard Drawings BDP-001 through BDP-012, current edition. Dimensions may be adjusted to allow for 33'-6" rolled steel beam bridge width.

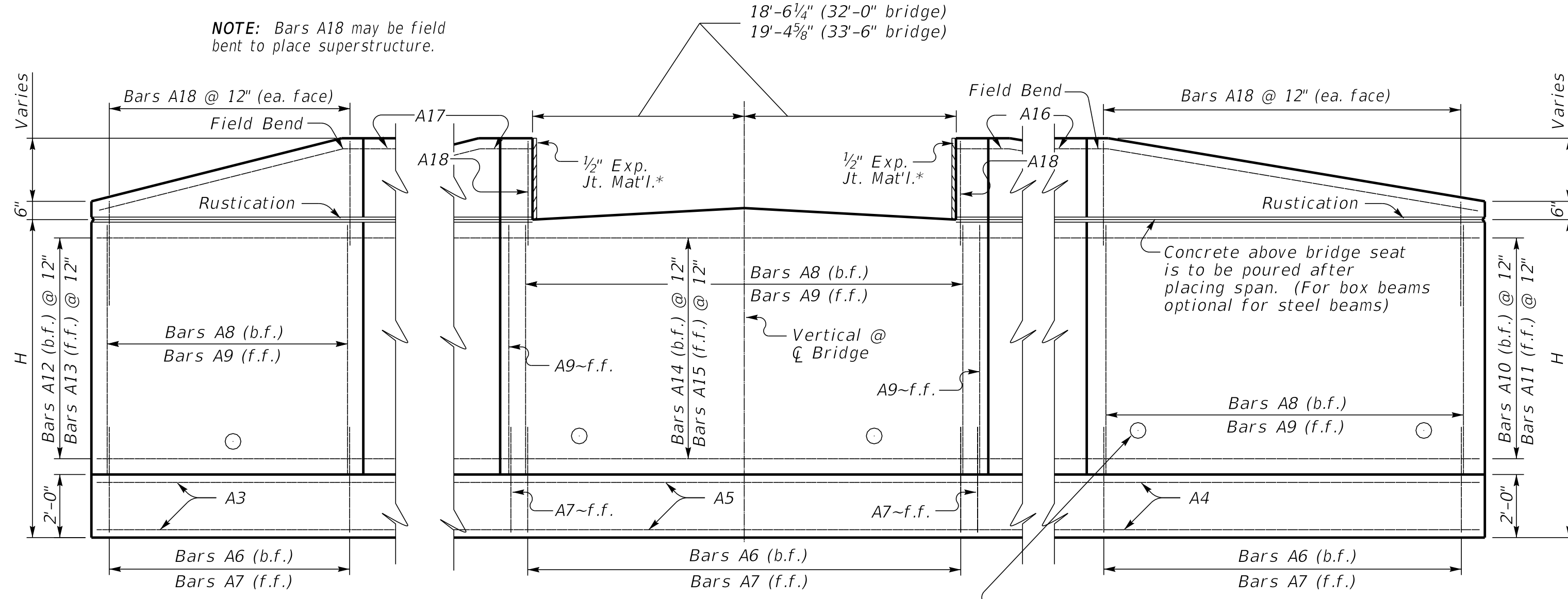
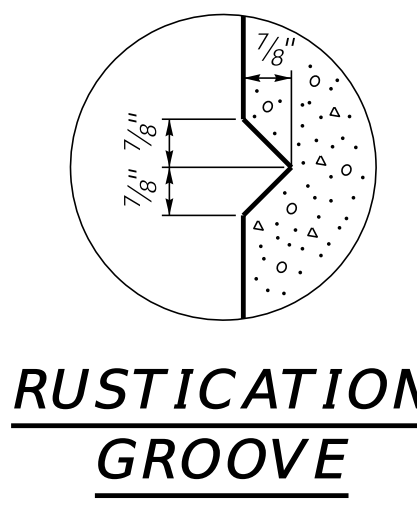
FOUNDATION PRESSURE: Construct abutment footings on solid rock bearing material that can support a pressure of 8000 psf service or 10,800 psf strength factored as recommended by a geotechnical engineer.

WING LENGTHS: Calculated assuming 21" superstructure depth and stream bank elevation at top of footing.

FOOTING ELEVATION: Construct bottom of footing below the anticipated scour elevation. (This typically entails embedding the footings 1'-0" to 2'-0" into rock and pouring concrete directly against cut rock faces as recommended by geotechnical engineer.)

NOTE: Distances to bars shown are clear dimensions unless otherwise noted.

MATERIAL SPECIFICATIONS:
 Concrete, Class "A" = 3500 psi
 Steel Reinforcement = Grade 60



*Expansion Joint Material:
 AASHTO M153
 Type-I Sponge Rubber
 Type-II Cork permitted with contractor provided documentation that the Build America Buy America requirements are satisfied.



COMMONWEALTH OF KENTUCKY
 DEPARTMENT OF HIGHWAYS

DRAWING TITLE: SEPIA 087 - 30° SKEW 32'-0"-33'-6" BRIDGE WIDTH 2:1 FILL SLP, 4' MIN. SHLDR.

SUBMITTED *Michael Cost* 10/25/2024
 DIVISION DIRECTOR DATE

ITEM NO. COUNTY OF
 SHEET NO.