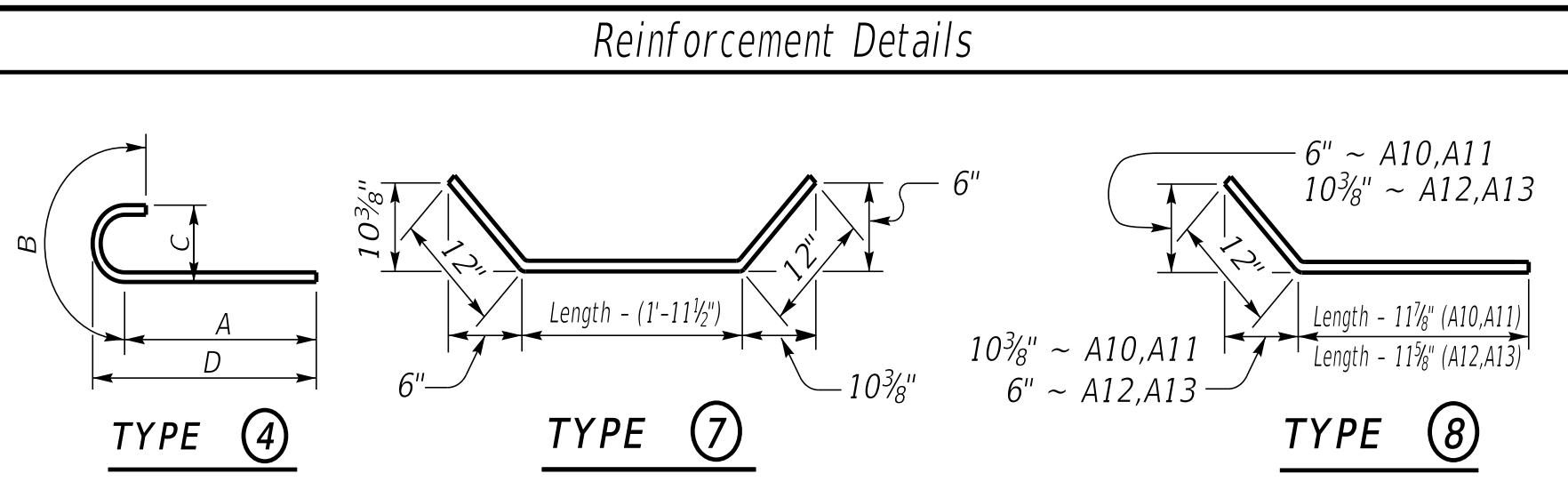


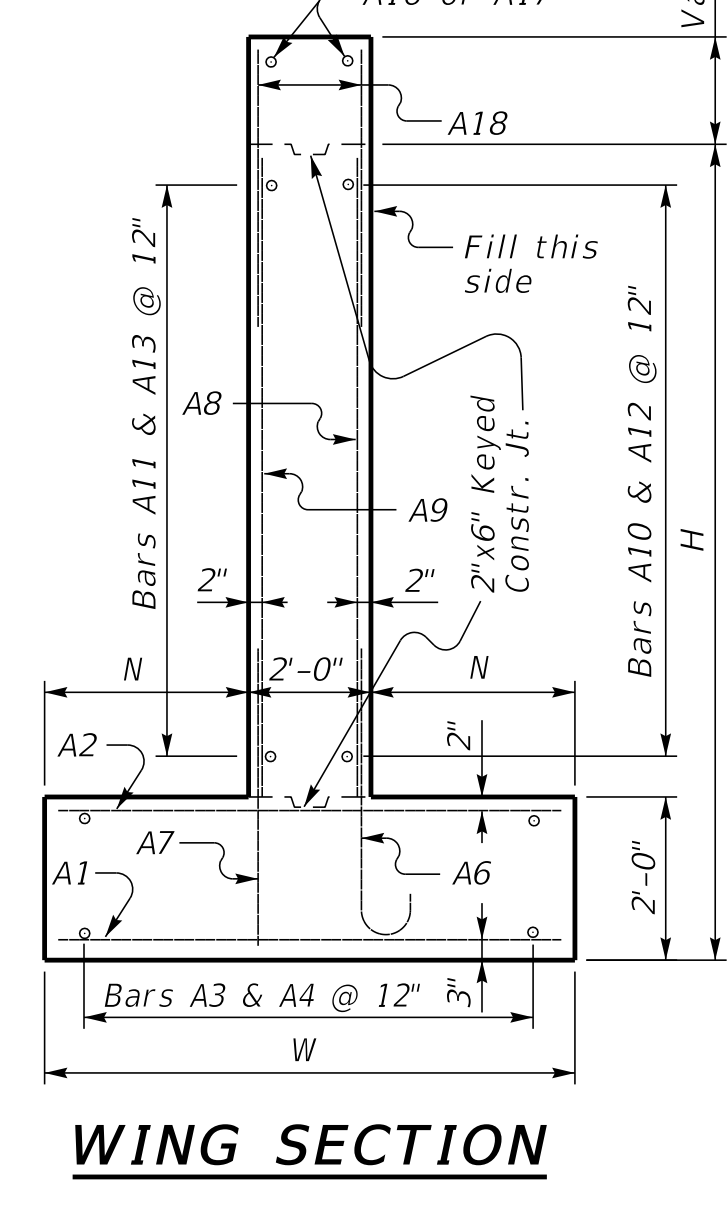
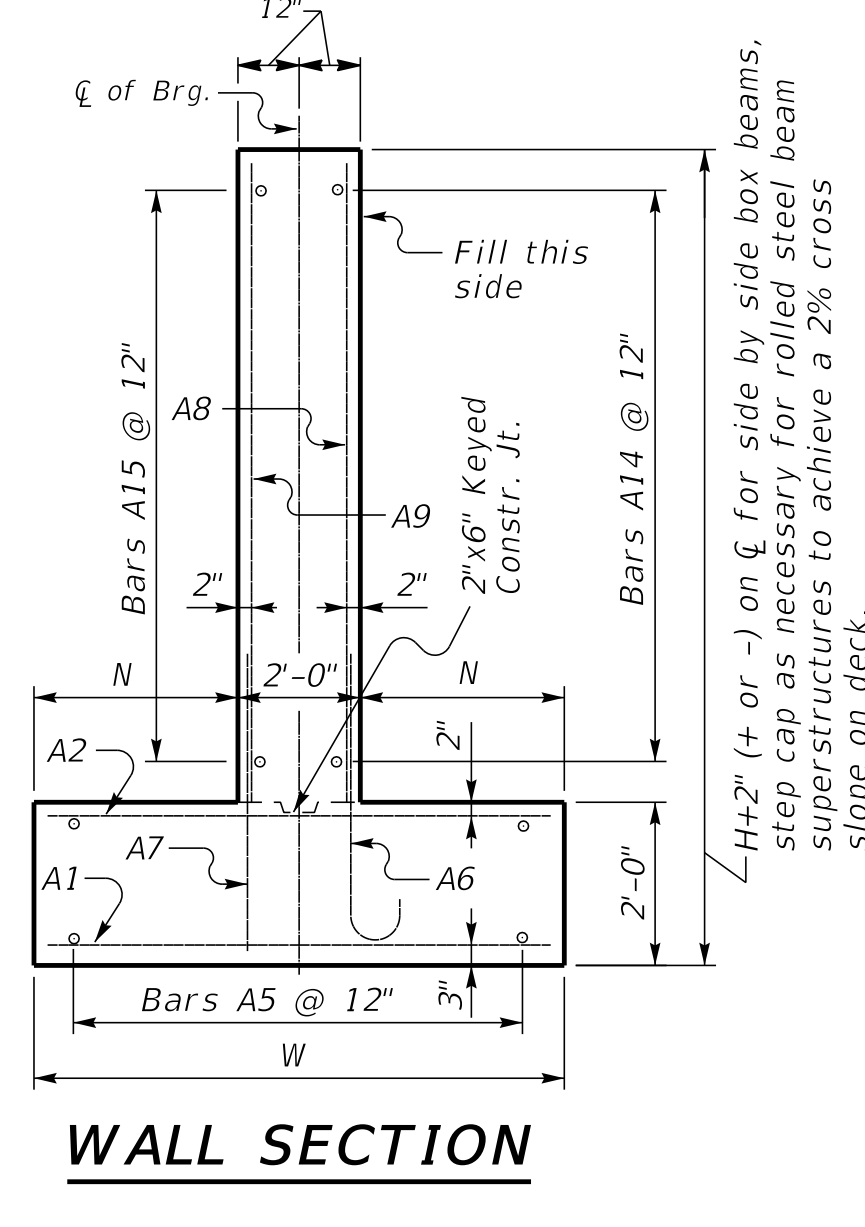
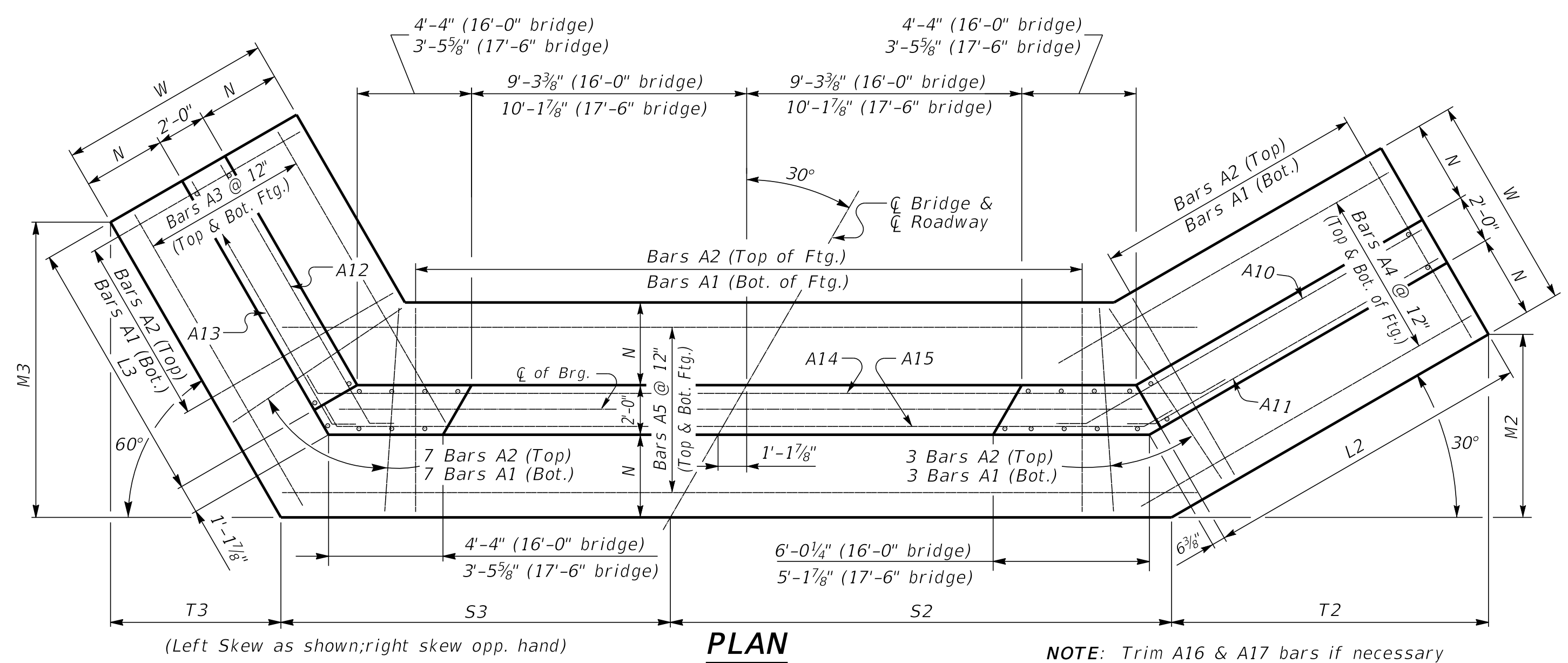
# 30° SKEW 16'-0" - 17'-6" BRIDGE WIDTH 2:1 FILL SLOPES

MARK		A1		A2		A3		A4		A5		A6				A7		A8		A9		A10		A11		A12		A13		A14		A15		A16		A17		A18																															
TYPE		Str.		Str.		Str.		Str.		Str.		4				Str.		Str.		Str.		#5		#5		#5		#5		#5		#5		#5		#5																																	
SIZE		#5		#5		#5		#5		#5		#5				#5		#5		#5		#5		#5		#5		#5		#5		#5		#5		#5																																	
H	No.	Length	Spacing	No.	Length	Spacing	No.	Length	Spacing	No.	Length	Spacing	No.	Length	Spacing	No.	Length	Spacing	No.	Length	Spacing	No.	Length	Spacing	No.	Length	Spacing	No.	Length	Spacing	No.	Length	Spacing	No.	Length	Spacing	No.	Length	Spacing																														
																																								ft.	in.	ft.	in.	ft.	in.	ft.	in.	ft.	in.	ft.	in.	ft.	in.	ft.	in.	ft.	in.	ft.	in.	ft.	in.	ft.	in.	ft.	in.	ft.	in.	ft.	in.
15-16	77	10	11	8	12	77	7	11	8	12	24	20	11	24	31	2	24	33	4	74	9	11	12	8	77	5	4	11	12	74	6	12	10	12	77	12	10	12	14	32	10	14	30	4	14	19	8	14	18	11	14	34	1	14	30	8	2	35	6	2	22	5	12	1	5	9			
13-14	70	9	10	8	12	70	7	10	8	12	22	17	8	22	27	1	22	32	11	67	8	3	12	6	77	5	4	11	12	67	6	10	10	12	70	10	10	12	12	28	10	12	26	4	12	16	8	12	15	11	12	34	1	12	30	8	2	31	6	2	19	5	107	5	9				
11-12	64	8	9	8	12	64	6	9	8	12	20	15	5	20	22	1	20	32	6	61	7	1	12	5	77	5	4	11	12	61	5	8	10	12	64	8	10	12	10	24	10	10	22	4	10	14	8	10	13	11	10	34	1	10	30	8	2	27	6	2	17	5	95	5	9				
9-10	61	7	8	8	12	61	5	8	8	12	18	13	1	18	19	10	18	32	1	56	6	1	12	5	77	5	4	11	12	56	5	6	10	12	59	6	10	12	59	6	10	12	8	21	10	8	19	4	8	12	8	11	11	8	34	1	8	30	8	2	24	6	2	15	5	85	5	9	
7-8	55	6	7	2	12	55	5	7	2	12	16	10	6	16	14	2	16	31	1	49	5	7	12	4	8	77	5	4	11	12	49	5	4	10	12	52	4	10	12	6	16	11	6	14	4	6	10	8	6	9	11	6	34	2	6	30	8	2	19	6	2	13	5	71	5	9			
5-6	51	5	6	2	12	51	5	6	2	12	14	8	3	14	11	0	14	30	8	44	5	7	12	4	8	77	5	4	11	12	44	5	2	10	12	47	2	10	12	47	2	10	12	4	13	11	4	11	4	8	8	4	7	11	4	34	2	4	30	8	2	16	6	2	11	5	61	5	9



H	Length	W	N	M2	M3	S2	S3	T2	T3	L2	L3							
												ft.	in.	ft.	in.	ft.	in.	ft.
15-16	12	0	5	0	15	5 1/2	18	2 3/4	19	6 3/4	13	7 3/4	26	8 1/4	10	6 1/4	29	17
13-14	11	0	4	0	13	4 1/2	15	4 1/2	19	1 3/4	13	7 3/4	23	1 7/8	8	10 1/2	25	14
11-12	10	0	4	0	11	3 3/4	13	4 1/4	18	8 1/4	13	7 3/4	19	7	7	8 3/4	21	12
9-10	9	0	3	6	9	0 7/8	11	4 1/4	18	3 3/4	13	7 3/4	16	10 3/4	6	7	18	10
7-8	7	6	2	9	7	1 3/8	9	3 3/8	17	7 3/8	13	7 3/8	12	4 3/8	5	4 1/2	13	8
5-6	6	6	2	3	5	6 7/8	7	3 7/8	17	2 1/2	13	7 3/8	9	7 3/4	4	2 3/4	10	6

4 foot min. shoulder



H	Concrete*		Reinforcement
	C.Y.	LBS	
5	35.1	3029	
6	38.4	3029	
7	50.2	4232	
8	53.9	4232	
9	72.1	6186	
10	76.4	6186	
11	92.3	8576	
12	96.9	8576	
13	116.5	12240	
14	121.5	12240	
15	145.3	16380	
16	150.8	16380	

\*Concrete quantities computed using 21" beam depth on 1/2" pad & 16'-0" Bridge Width

## GENERAL NOTES

**SPECIFICATIONS:** Construct abutments according to the current edition of the Kentucky Department of Highways Standard Specifications for Road and Bridge Construction. Abutments are designed for side by side box beams as detailed in Standard Drawings BDP-001 through BDP-012, current edition. Dimensions may be adjusted to allow for 17'-6" rolled steel beam bridge width.

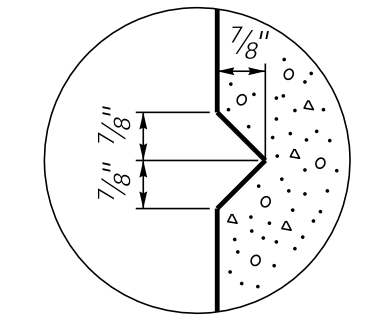
**FOUNDATION PRESSURE:** Construct abutment footings on solid rock bearing material that can support a pressure of 8000 psf service or 10,800 psf strength factored as recommended by a geotechnical engineer.

**WING LENGTHS:** Calculated assuming 21" superstructure depth and stream bank elevation at top of footing.

**FOOTING ELEVATION:** Construct bottom of footing below the anticipated scour elevation. (This typically entails embedding the footings 1'-0" to 2'-0" into rock and pouring concrete directly against cut rock faces as recommended by geotechnical engineer.)

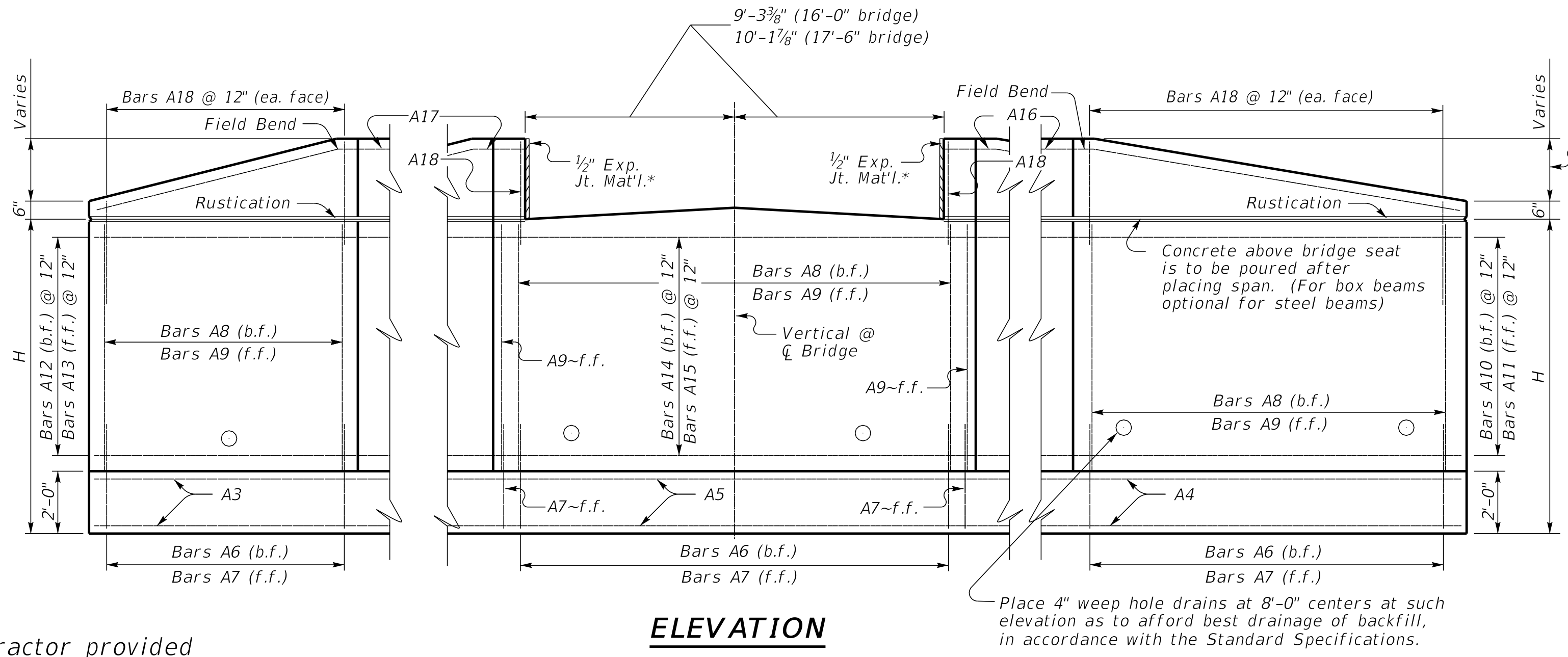
**NOTE:** Distances to bars shown are clear dimensions unless otherwise noted.

**MATERIAL SPECIFICATIONS:**  
Concrete, Class "A" = 3500 psi  
Steel Reinforcement = Grade 60



## RUSTICATION GROOVE

\*Expansion Joint Material:  
AASHTO M153  
Type-I Sponge Rubber  
Type-II Cork permitted with contractor provided documentation that the Build America Buy America requirements are satisfied.



## ELEVATION