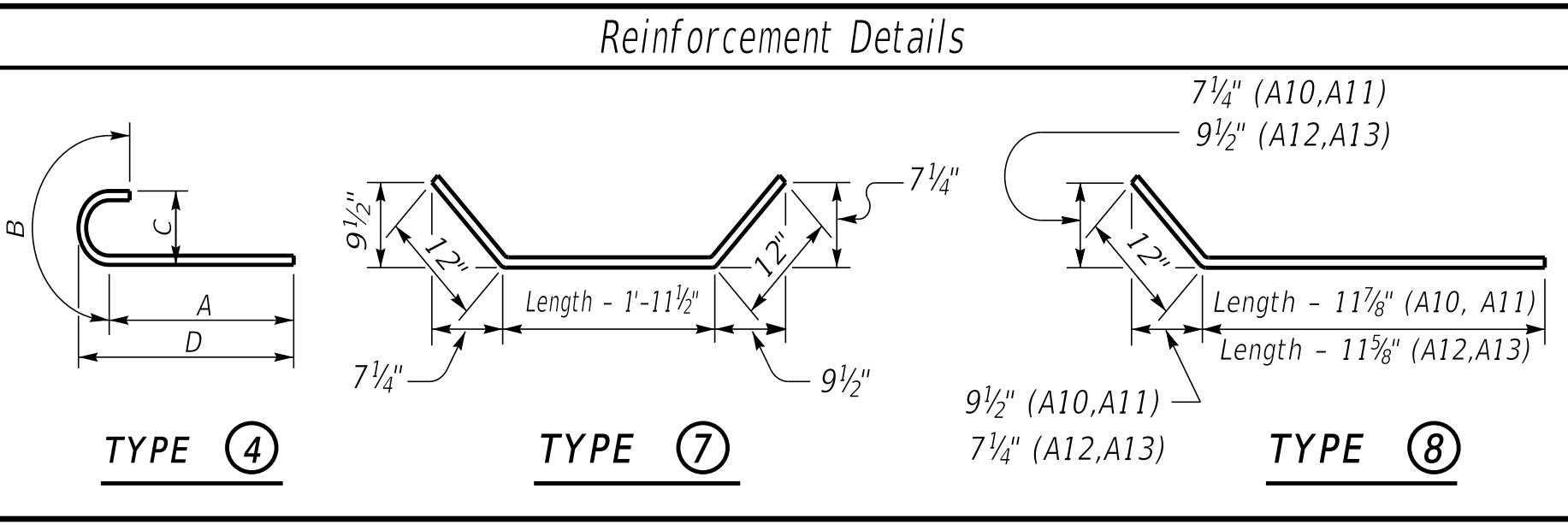


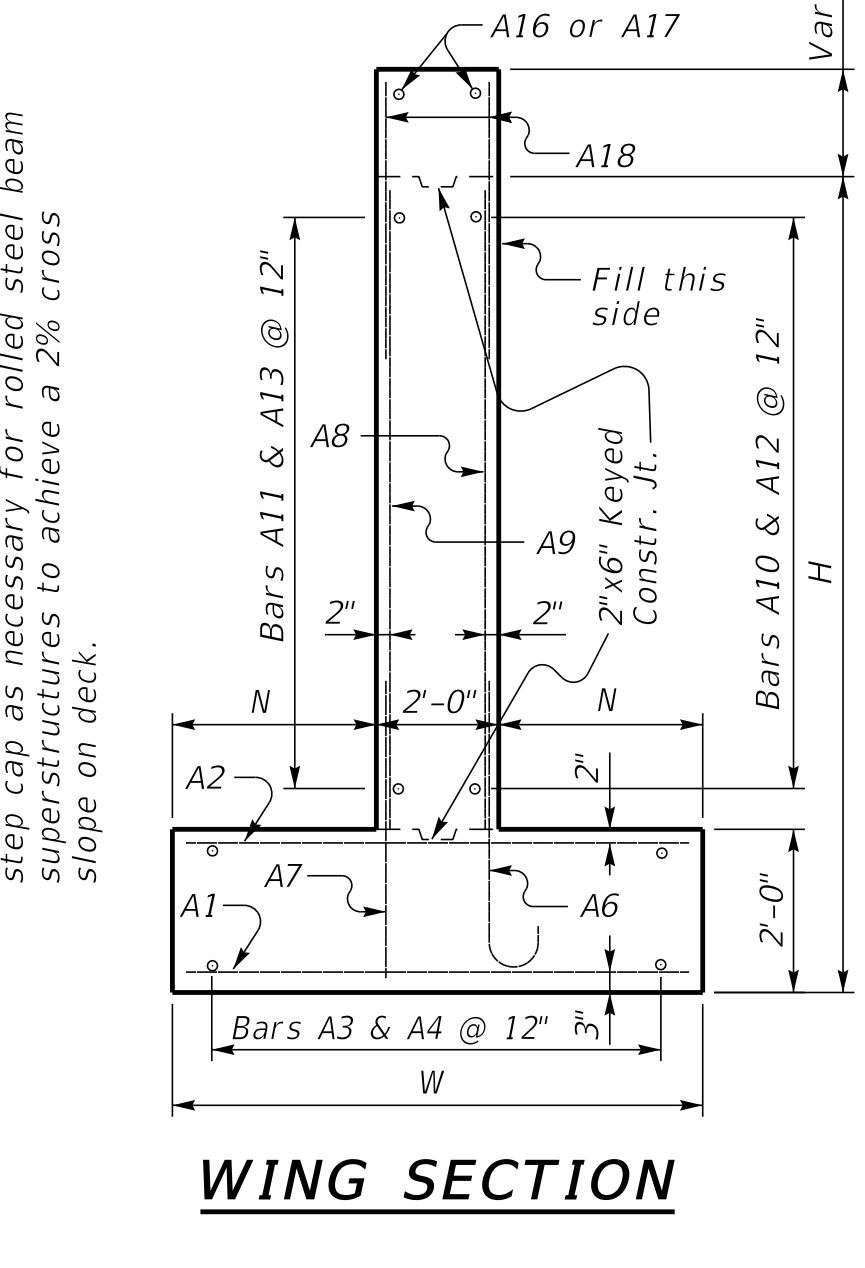
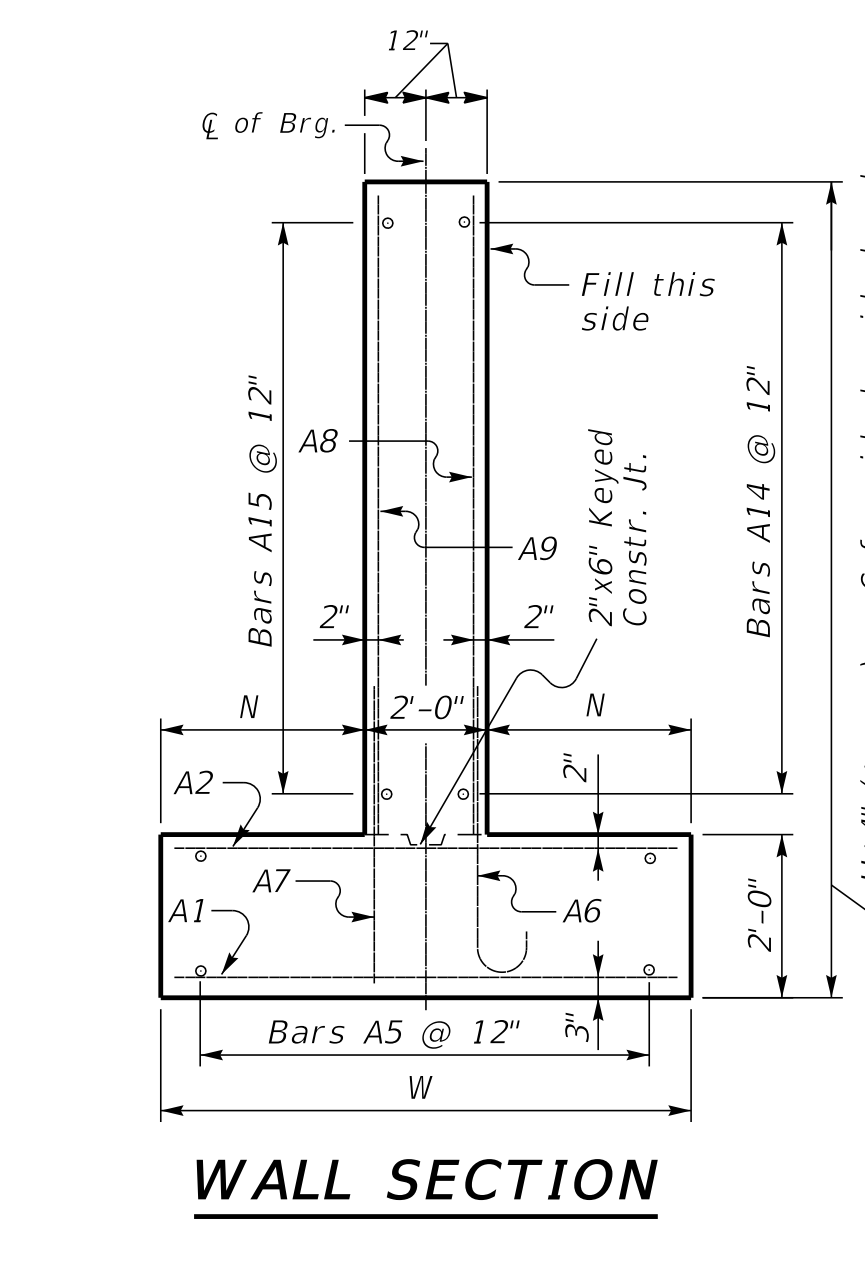
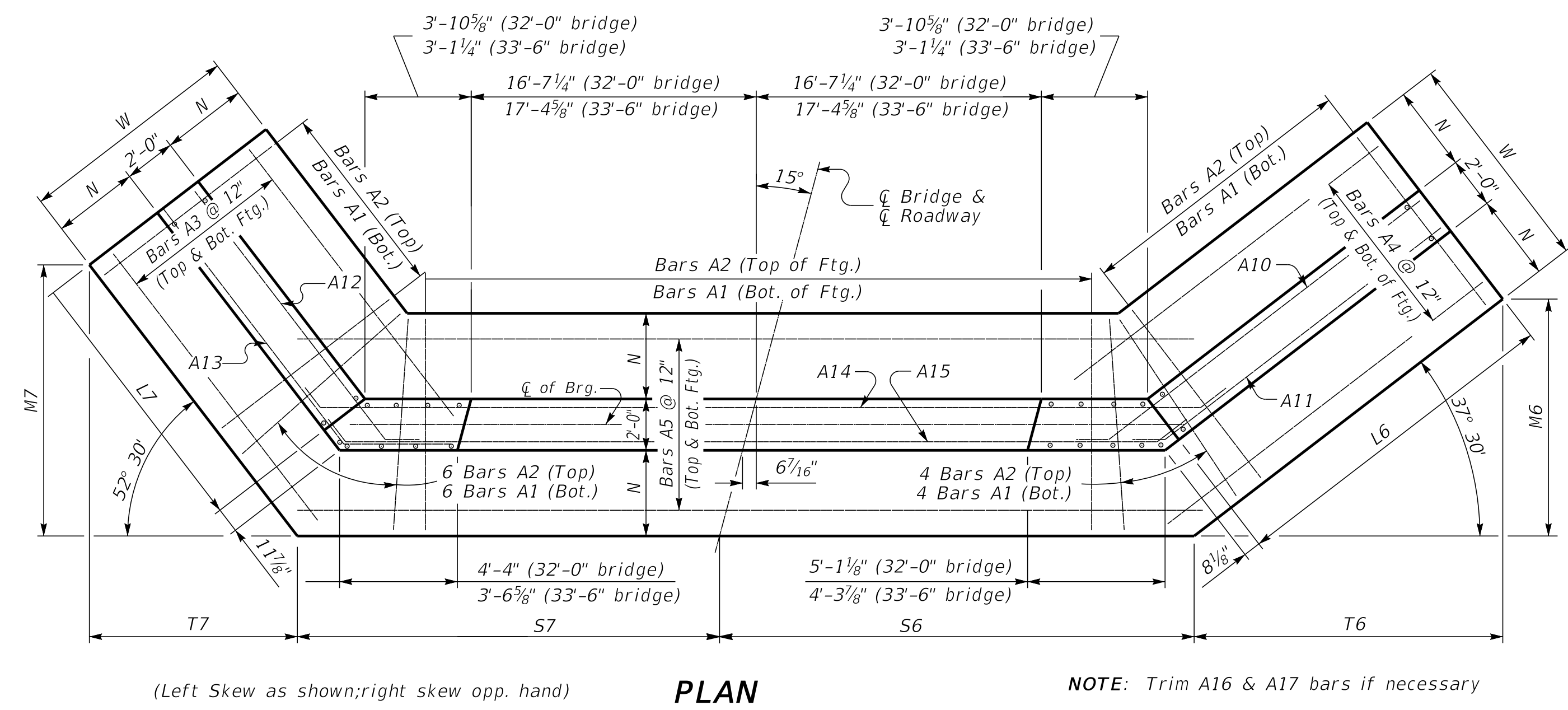
15° SKEW 32'-0" - 33'-6" BRIDGE WIDTH 2:1 FILL SLOPES

MARK		A1	A2	A3	A4	A5	A6				A7	A8	A9	A10	A11	A12	A13	A14	A15	A16	A17	A18										
TYPE		Str.	Str.	Str.	Str.	Str.	4				Str.	Str.	Str.	8	8	8	8	7	7	Str.	Str.	Str.										
SIZE				#5	#5	#5					#5	#5	#5	#5	#5	#5	#5	#5	#5	#5	#5	#5										
H	No.	Length	Length	Length	Length	Length	Length	Length	Length	Length	Length	Length	Length	Length	Length	Length	Length	Length	Length	Length	Length	Length										
15-16	86	10 11 8	12 86	7 11 8	12 24 21	5 24 26	7 24 47	1 83	9 9	11 12	8 1/2	1 10	0 11 3/8	8 6	87	5 4	11 12	83	6 12	10 12	87	12 10	12 14 27	4 14 25	5 14 44	5 2 29	8 2 23	3 110	5 9			
13-14	82	9 10 8	12 82	7 10 8	12 22 19	2 22 23	5 22 46	8 78	8 8	3 12	6 11	3 0	8 7	3	82	5 4	11 12	78	6 10	10 12	82	10 10	12 12 24	4 12 22	6 12 18	10 12 17	9 12 47	5 12 44	5 2 26	8 2 21	3 100	5 9
11-12	78	8 9 8	12 78	6 9 8	12 20 16	11 20 20	3 20 46	3 73	7 7	1 12	5 10 1/2	1 2	0 7	6	77	5 4	11 12	73	8 10	12 77	8 10	12 10 21	4 10 19	6 10 16	10 10 15	9 10 47	6 10 44	5 2 23	8 2 19	3 90	5 9	
9-10	73	7 8 8	12 73	5 8 8	12 18 13	8 18 17	1 18 45	10 67	6 6	1 12	5 1	1 0	0 6	5	71	5 4	11 12	67	5 6	10 12	71	6 10	12 8 18	4 8 16	6 8 13	10 8 12	9 8 47	6 8 44	5 2 20	8 2 16	3 78	5 9
7-8	68	6 7 2	12 68	5 7 2	12 16 11	2 16 12	6 16 44	10 61	5 5	7 12	4 8 1/2	0 10	0 5	4	65	5 4	11 12	61	5 4	10 12 65	4 10 12	6 6 14	4 6 11	10 6 10	9 6 47	6 6 44	5 2 16	8 2 14	3 66	5 9		
5-6	65	5 6 2	12 65	5 6 2	12 14 8	11 14 10	4 14 44	5 57	5 5	7 12	4 8 1/2	0 10	0 5	4	61	5 4	11 12	57	5 2	10 12 61	2 10 12	4 12 4	4 10 6	4 9 10	4 8 9	4 47	6 4 44	5 2 14	8 2 12	3 58	5 9	



H	W	N	M6	M7	S6	S7	T6	T7	L6	L7
15-16	12 0	5 0	16 3/8	17 1/2	24 8 1/8	22 3/8	20 1 1/8	13 3/8	24	18
13-14	11 0	4 0	14 1 1/2	15 2 1/8	24 5 1/4	21 1 1/8	18 4 1/8	11 8 1/4	21	16
11-12	10 0	4 0	12 2 3/8	13 5 1/8	24 1 1/8	21 10 1/8	15 10 3/8	10 3 3/8	18	14
9-10	9 0	3 6	10 3 1/4	10 10 1/4	23 10 2 1/8	13 4 5/8	8 4 1/8	15	11	
7-8	7 6	2 9	7 8 1/8	9 0	23 4 1/2	21 6 1/8	10 1 1/8	6 10 1/8	11	9
5-6	6 6	2 3	6 4 1/4	7 2 3/8	23 1/2	21 5 3/8	8 3 3/8	5 6 1/8	9	7

4 foot min. shoulder

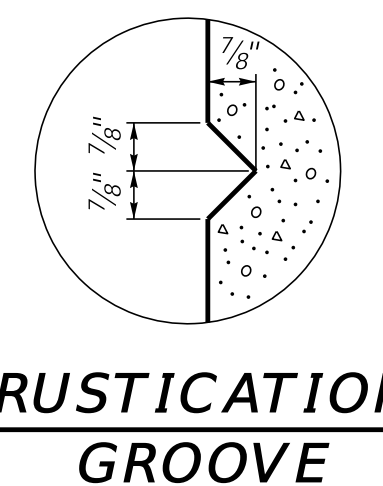
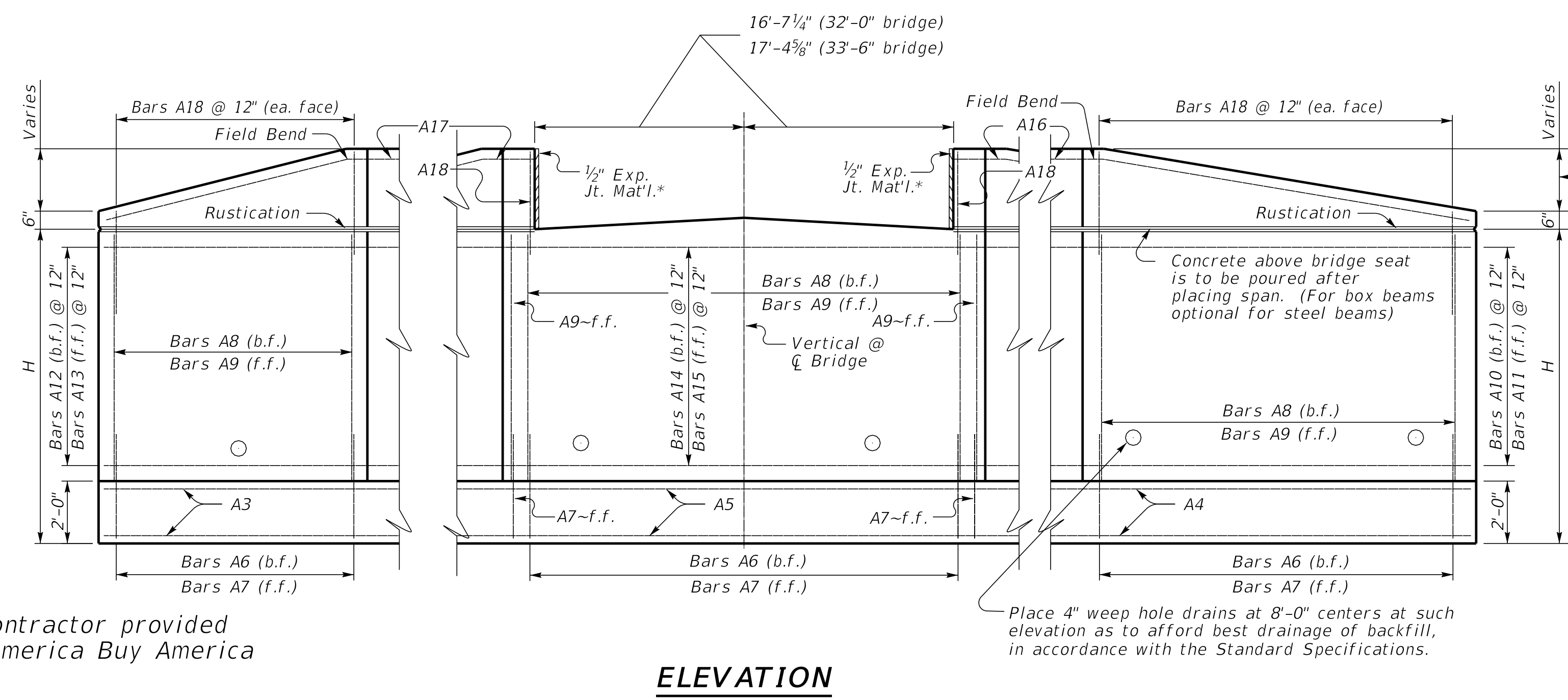


H	Concrete* C.Y.	Reinforcement LBS.
5	44.9	3731
6	49.2	3731
7	62	5067
8	66.6	5067
9	86	7196
10	91.1	7196
11	110.3	10103
12	115.8	10103
13	135.5	14061
14	141.4	14061
15	163	18138
16	169.3	18138

*Concrete quantities computed using 21" beam depth on 1/2" pad & 32'-0" Bridge Width

GENERAL NOTES

- SPECIFICATIONS:** Construct abutments according to the current edition of the Kentucky Department of Highways Standard Specifications for Road and Bridge Construction. Abutments are designed for side by side box beams as detailed in Standard Drawings BDP-001 through BDP-012, current edition. Dimensions may be adjusted to allow for 33'-6" rolled steel beam bridge width.
- FOUNDATION PRESSURE:** Construct abutment footings on solid rock bearing material that can support a pressure of 8000 psf service or 10,800 psf strength factored as recommended by a geotechnical engineer.
- WING LENGTHS:** Calculated assuming 21" superstructure depth and stream bank elevation at top of footing.
- FOOTING ELEVATION:** Construct bottom of footing below the anticipated scour elevation. (This typically entails embedding the footings 1'-0" to 2'-0" into rock and pouring concrete directly against cut rock faces as recommended by geotechnical engineer.)
- NOTE:** Distances to bars shown are clear dimensions unless otherwise noted.
- MATERIAL SPECIFICATIONS:**
Concrete, Class "A" = 3500 psi
Steel Reinforcement = Grade 60



*Expansion Joint Material:
AASHTO M153
Type-I Sponge Rubber
Type-II Cork permitted with contractor provided documentation that the Build America Buy America requirements are satisfied.

Place 4" weep hole drains at 8'-0" centers at such elevation as to afford best drainage of backfill, in accordance with the Standard Specifications.