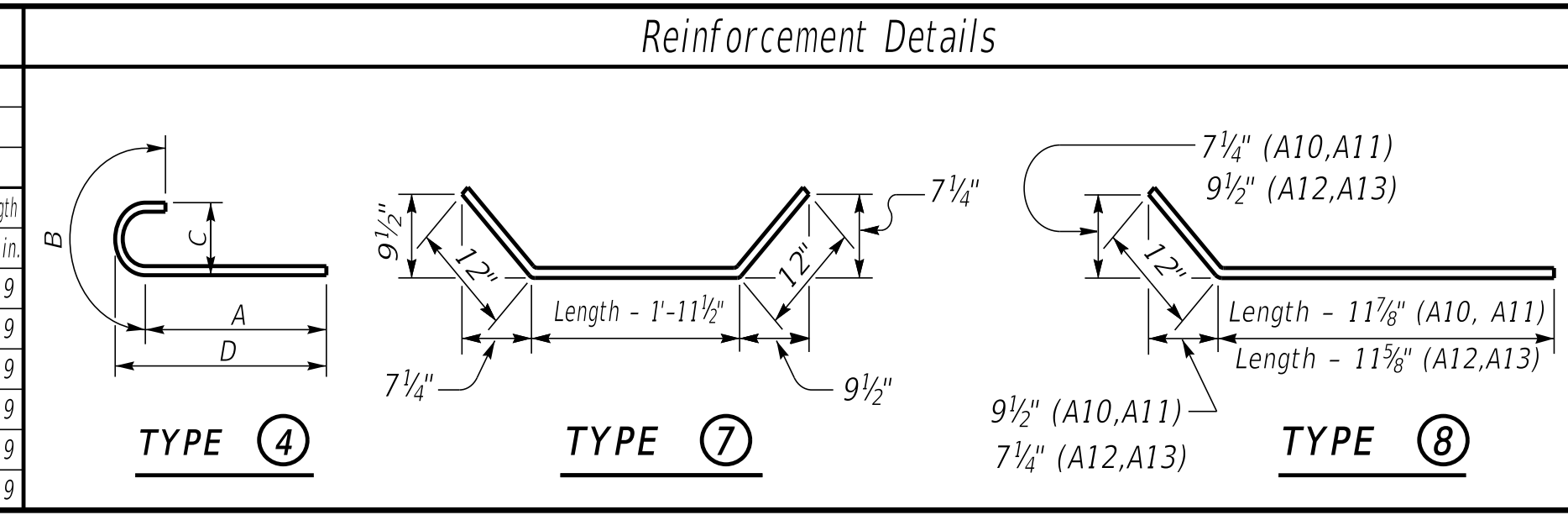


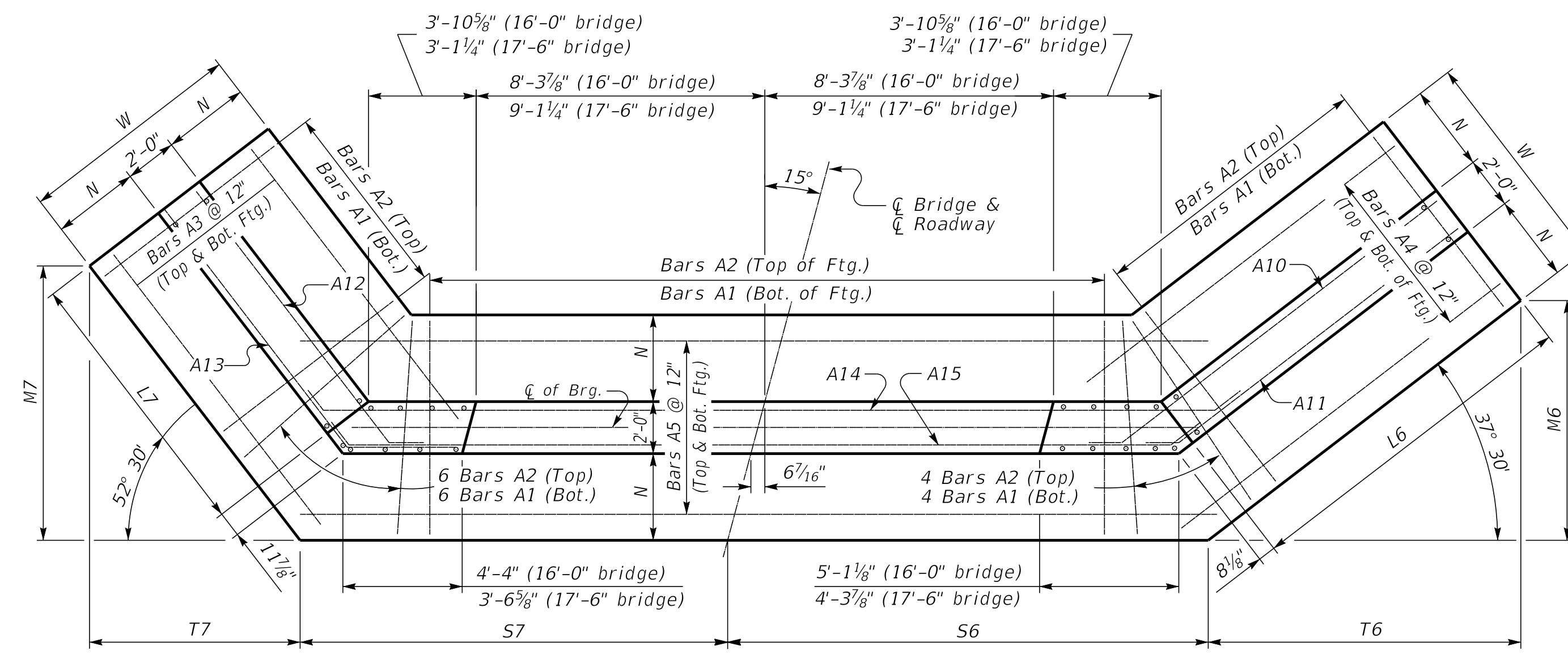
# 15° SKEW 16'-0" - 17'-6" BRIDGE WIDTH 2:1 FILL SLOPES

MARK		A1	A2	A3	A4	A5	A6				A7	A8	A9	A10	A11	A12	A13	A14	A15	A16	A17	A18																																																
TYPE		Str.	Str.	Str.	Str.	Str.	4				Str.	Str.	Str.	8	8	8	8	7	7	Str.	Str.	Str.																																																
SIZE				#5	#5	#5							#5	#5	#5	#5	#5	#5	#5	#5	#5	#5																																																
H	No.	Length		Length		Length		Length		Length		Length		Length		Length		Length		Length		Length																																																
		ft.	in.	ft.	in.	ft.	in.	ft.	in.	ft.	in.	ft.	in.	ft.	in.	ft.	in.	ft.	in.	ft.	in.	ft.	in.																																															
15-16	70	10	11	8	12	7	11	8	12	24	21	5	24	26	7	67	9	11	12	8	6	70	5	4	11	12	67	6	12	10	12	70	12	10	12	14	27	4	14	25	6	14	20	10	14	19	9	14	30	10	14	27	10	14	27	10	2	29	8	2	23	3	110	5	9					
13-14	65	9	10	8	12	6	7	10	8	12	22	19	2	22	23	5	62	8	8	3	12	6	11	1	3	0	8	7	3	65	5	4	11	12	62	6	10	10	12	65	10	10	12	24	4	12	22	6	12	18	10	12	17	9	12	30	11	12	27	10	2	26	8	2	21	3	100	5	9	
11-12	62	8	9	8	12	6	6	9	8	12	20	16	1	20	20	3	57	7	7	1	12	5	10	1	2	0	7	6	2	60	5	4	11	12	57	5	8	10	12	60	8	10	12	10	21	4	10	19	6	10	16	10	10	15	9	10	30	11	10	27	10	2	23	8	2	19	3	90	5	9
9-10	56	7	8	8	12	5	6	8	12	18	13	8	18	17	1	51	6	6	1	12	5	1	1	0	0	6	5	4	54	5	4	11	12	51	5	6	10	12	54	6	10	12	8	18	4	8	16	6	8	13	10	8	12	9	8	30	11	8	27	10	2	20	8	2	16	3	78	5	9	
7-8	52	6	7	2	12	5	2	12	16	11	2	16	12	6	16	28	4	4	5	5	7	12	4	8	0	10	0	5	4	11	48	5	4	11	12	45	5	4	10	12	48	4	10	12	6	14	4	6	12	6	11	10	6	10	9	6	30	11	6	27	10	2	16	8	2	14	3	66	5	9
5-6	48	5	6	2	12	4	5	6	2	12	14	8	11	14	10	4	41	5	5	7	12	4	8	0	10	0	5	4	11	44	5	4	11	12	41	5	2	10	12	44	2	10	12	4	12	4	10	6	4	9	10	4	8	9	4	30	11	4	27	10	2	14	8	2	12	3	58	5	9	



H	W		N		M6		M7		S6		S7		T6		T7		L6		L7	
	Length	Length	Length	Length	Length	Length	Length	Length	Length	Length	Length	Length	Length	Length	Length	Length	Length	Length	Length	Length
15-16	12	0	5	0	16	3/8	17	1/2	16	5/8	13	9/8	20	1	13	3/4	24	18		
13-14	11	0	4	6	14	1/2	15	2/8	16	1/2	13	8	18	4/8	11	8/8	21	16		
11-12	10	0	4	0	12	2/8	13	5/8	15	10/16	13	6/8	15	0/8	10	3/8	18	14		
9-10	9	0	3	6	10	3/8	10	0/8	15	6/8	13	5/8	13	4/8	8	4/8	15	11		
7-8	7	6	2	9	7	8/8	9	0	15	1/8	13	3/8	10	1/8	6	10/8	11	9		
5-6	6	6	2	3	6	4/8	7	2/8	14	9/8	13	2	8	3/8	5	6/8	9	7		

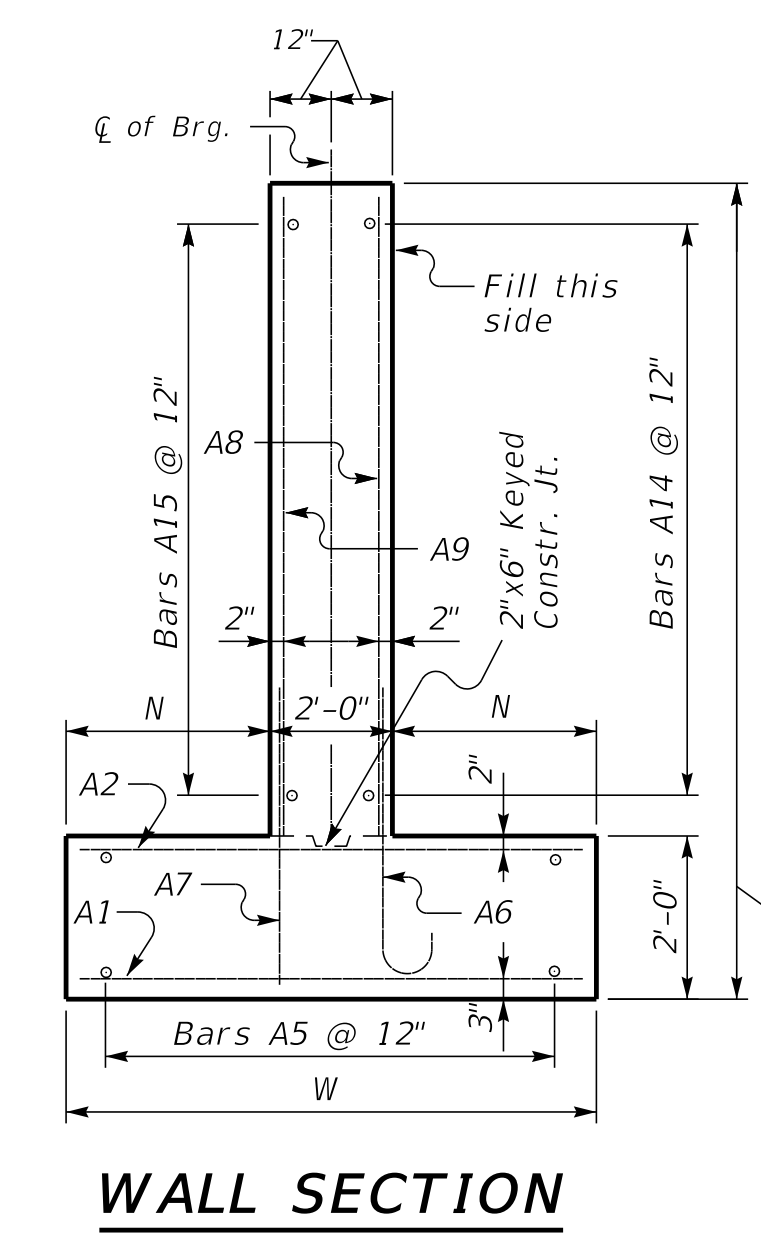
4 foot min. shoulder



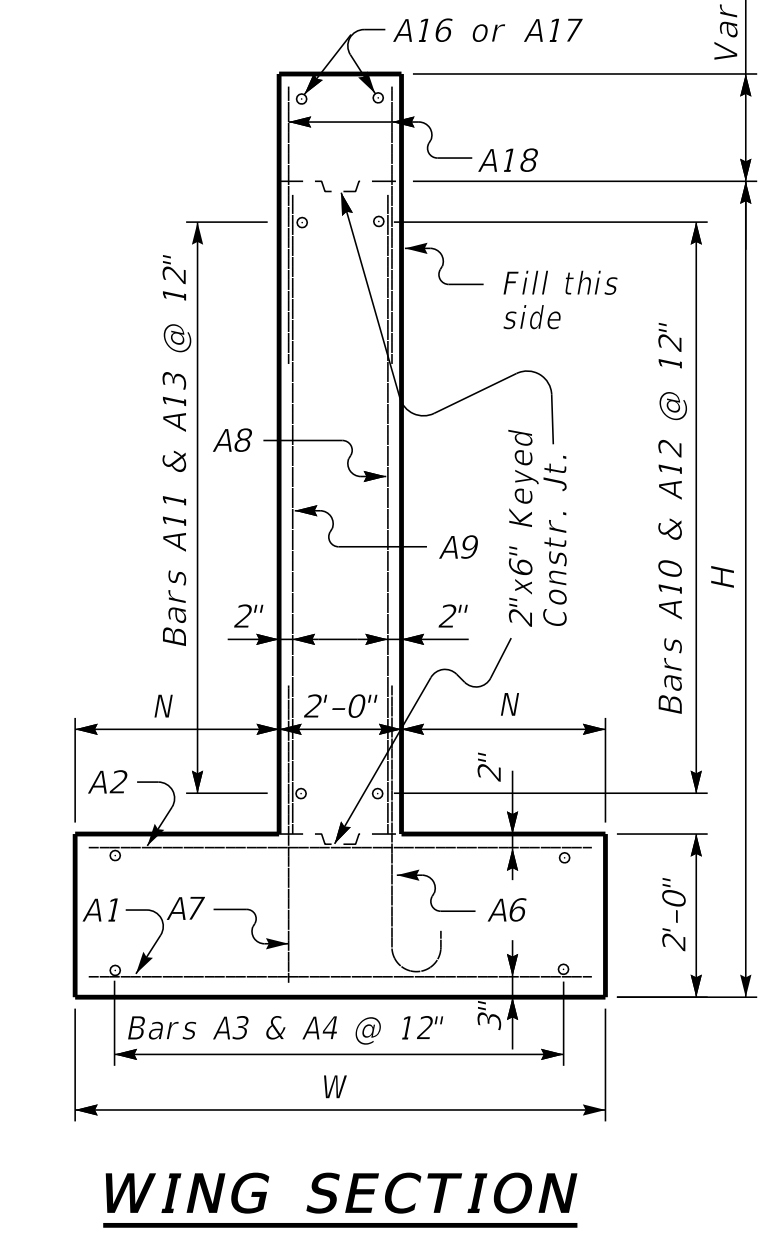
(Left Skew as shown; right skew opp. hand)

PLAN

NOTE: Trim A16 & A17 bars if necessary



WALL SECTION



WING SECTION

H	Concrete*		Reinforcement	
	C.Y.	LBS.	C.Y.	LBS.
5	32.9	2852		
6	36	2852		
7	46.4	3942		
8	49.8	3942		
9	66	5682		
10	69.9	5682		
11	86.7	8139		
12	91	8139		
13	108.2	11385		
14	112.9	11385		
15	132	14911		
16	137.1	14911		

\*Concrete quantities computed using 21" beam depth on 1/2" pad & 16'-0" Bridge Width

## GENERAL NOTES

**SPECIFICATIONS:** Construct abutments according to the current edition of the Kentucky Department of Highways Standard Specifications for Road and Bridge Construction. Abutments are designed for side by side box beams as detailed in Standard Drawings BDP-001 through BDP-012, current edition. Dimensions may be adjusted to allow for 17'-6" rolled steel beam bridge width.

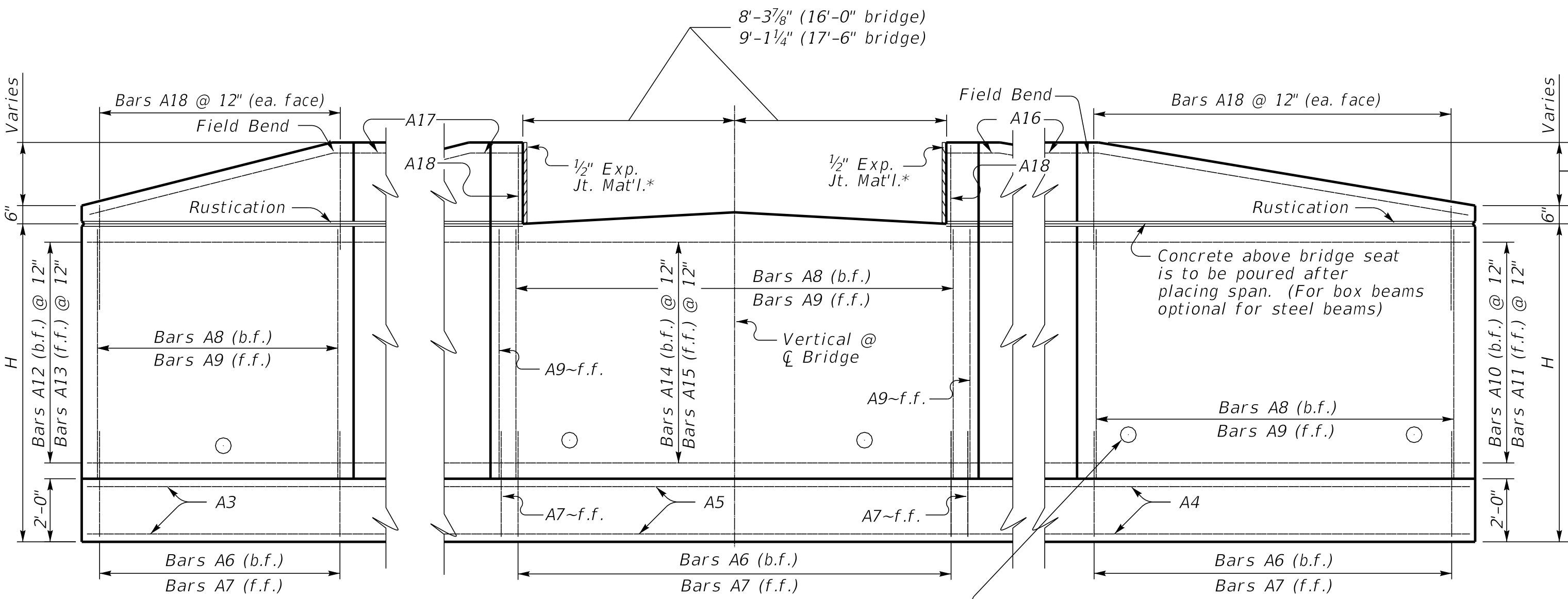
**FOUNDATION PRESSURE:** Construct abutment footings on solid rock bearing material that can support a pressure of 8000 psf service or 10,800 psf strength factored as recommended by a geotechnical engineer.

**WING LENGTHS:** Calculated assuming 21" superstructure depth and stream bank elevation at top of footing.

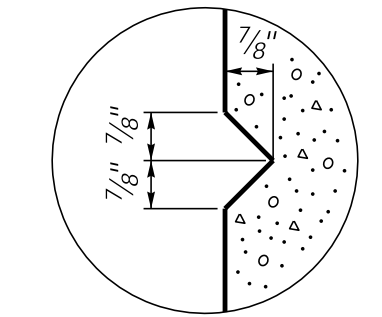
**FOOTING ELEVATION:** Construct bottom of footing below the anticipated scour elevation. (This typically entails embedding the footings 1'-0" to 2'-0" into rock and pouring concrete directly against cut rock faces as recommended by geotechnical engineer.)

**NOTE:** Distances to bars shown are clear dimensions unless otherwise noted.

**MATERIAL SPECIFICATIONS:**  
 Concrete, Class "A" = 3500 psi  
 Steel Reinforcement = Grade 60



ELEVATION



RUSTICATION GROOVE

\*Expansion Joint Material:  
 AASHTO M153  
 Type-I Sponge Rubber  
 Type-II Cork permitted with contractor provided documentation that the Build America Buy America requirements are satisfied.

Place 4" weep hole drains at 8'-0" centers at such elevation as to afford best drainage of backfill, in accordance with the Standard Specifications.