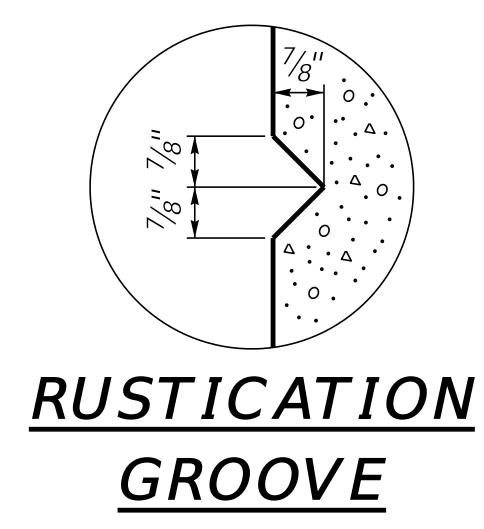
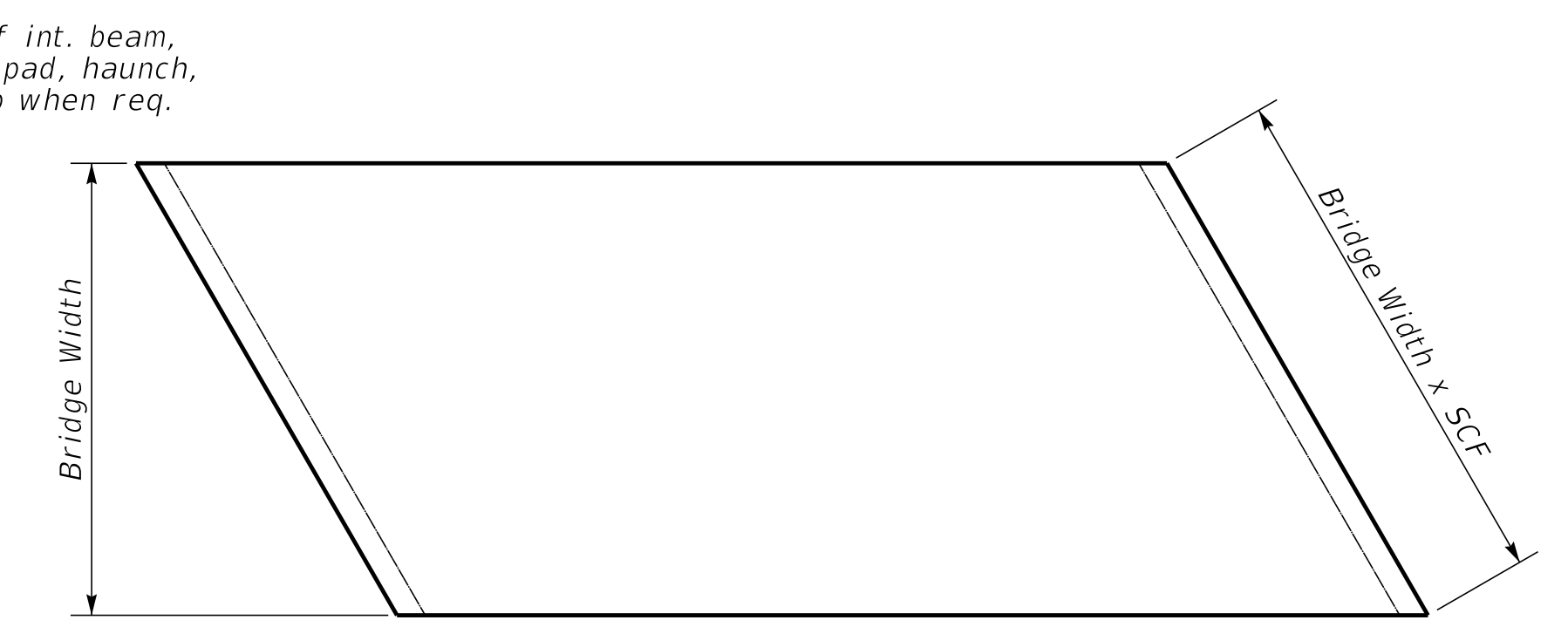
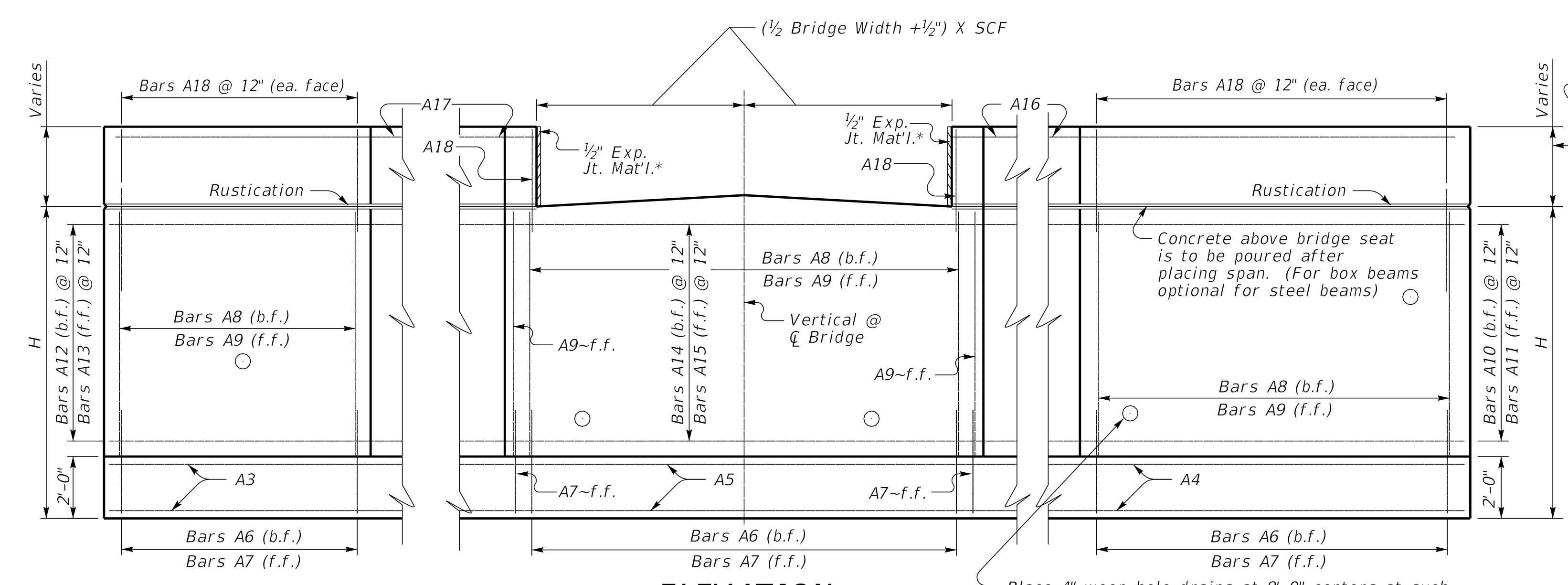
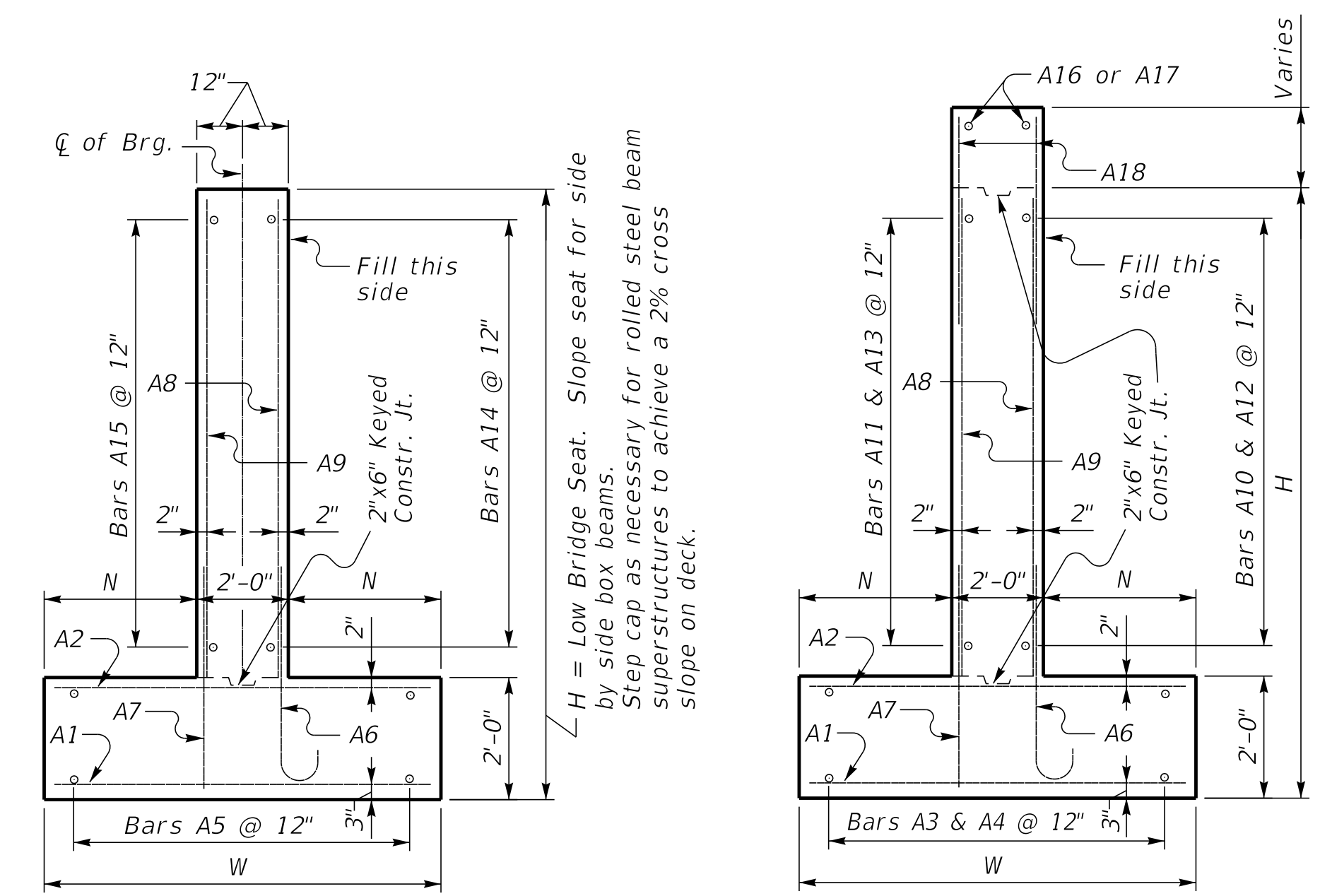
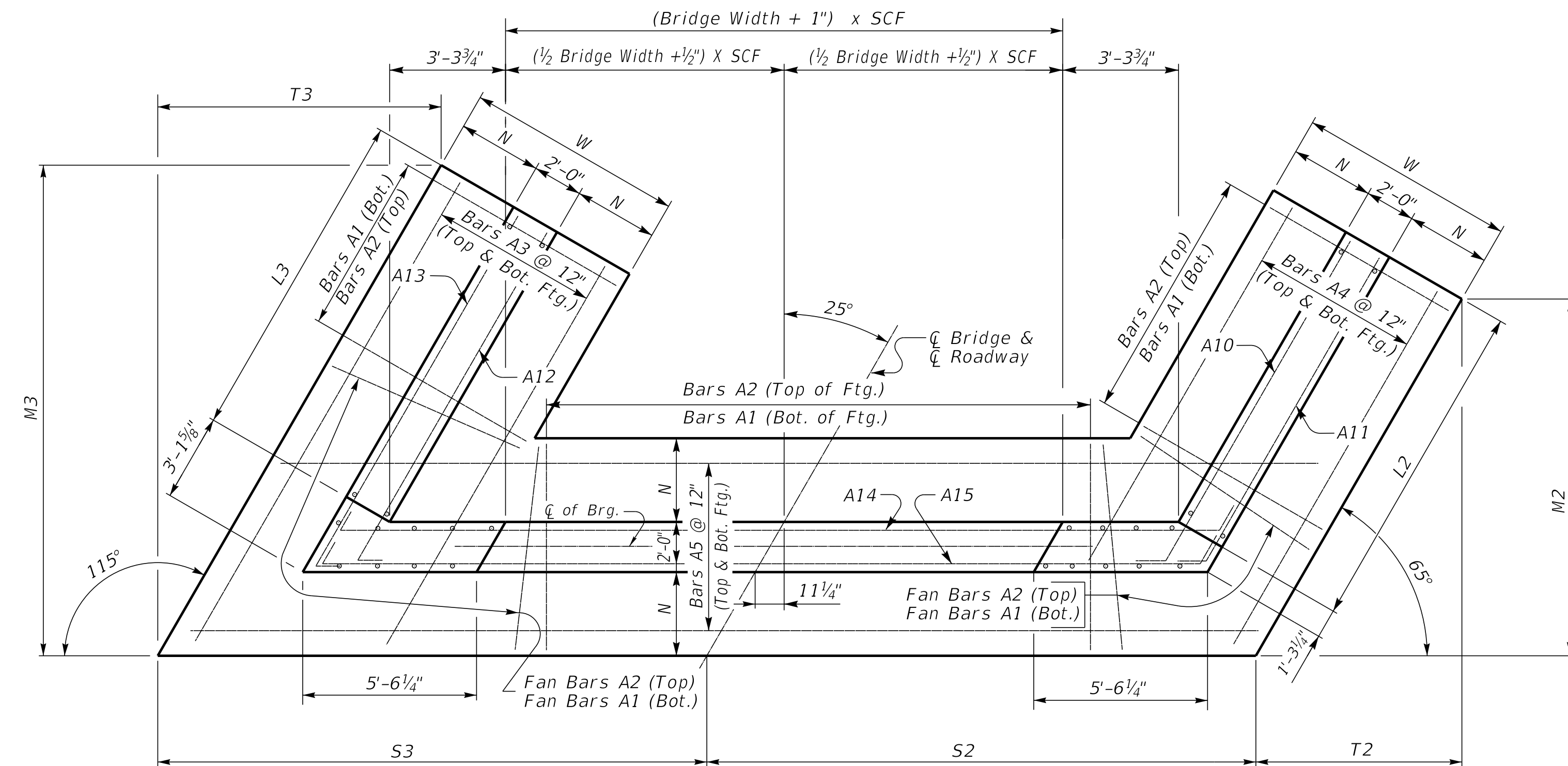


# 25° SKEW VARIABLE BRIDGE WIDTH 2:1 FILL SLOPES WINGS PARALLEL TO ROADWAY

ABUTMENT SKEW CORRECTION FACTOR (SCF) = 1.103



SUBMITTED *Michael Cost* 10/25/2024  
DIVISION DIRECTOR DATE