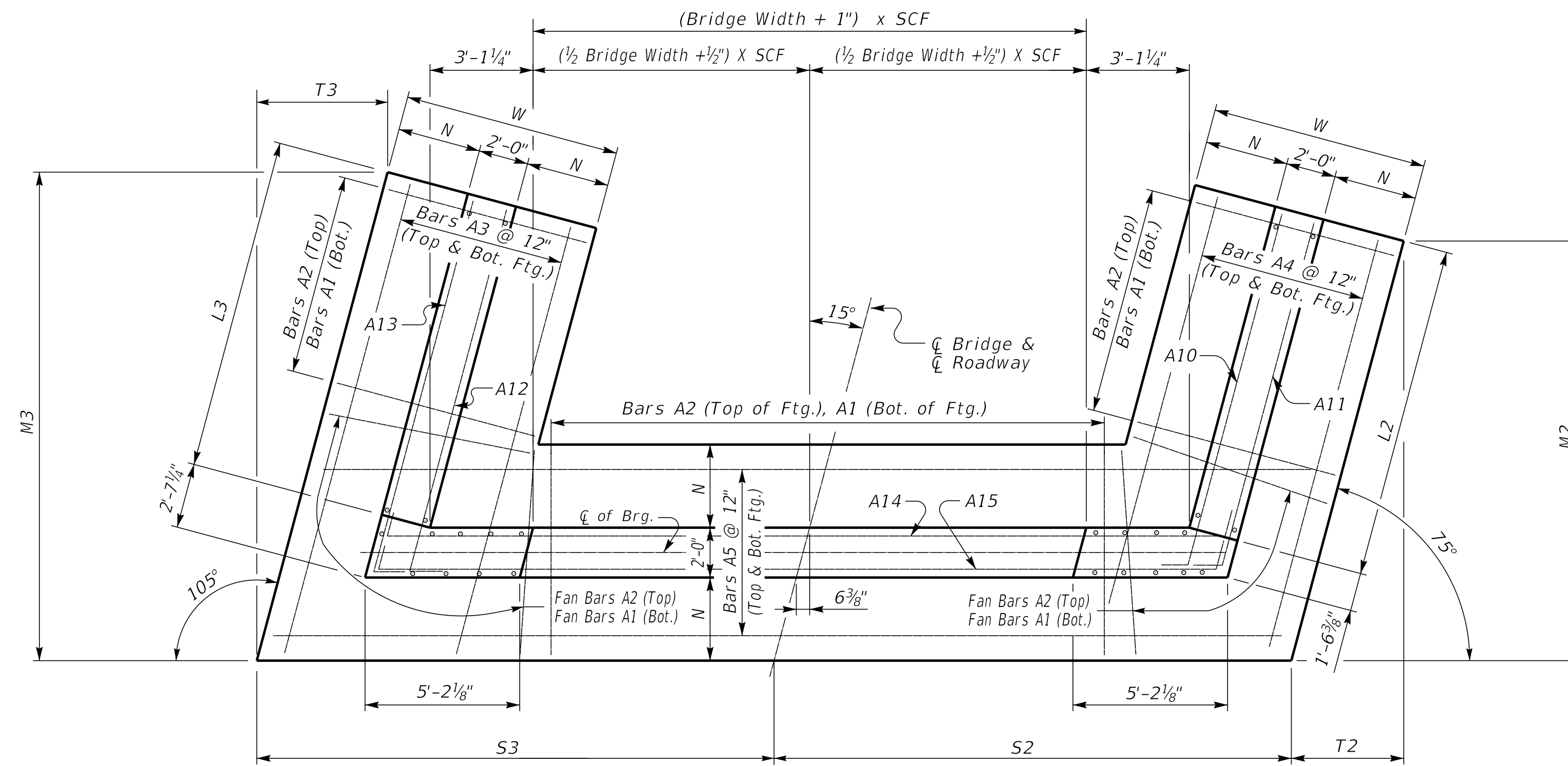


15° SKEW VARIABLE BRIDGE WIDTH 2:1 FILL SLOPES WINGS PARALLEL TO ROADWAY

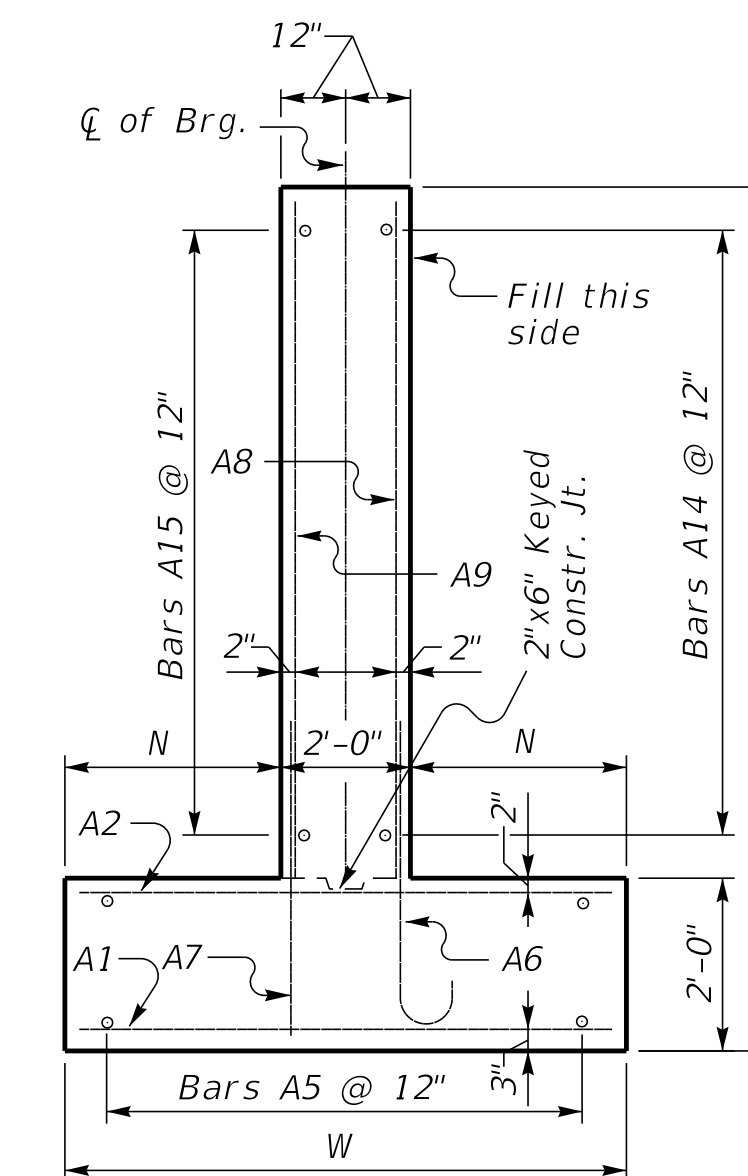
ABUTMENT SKEW CORRECTION FACTOR (SCF) = 1.035



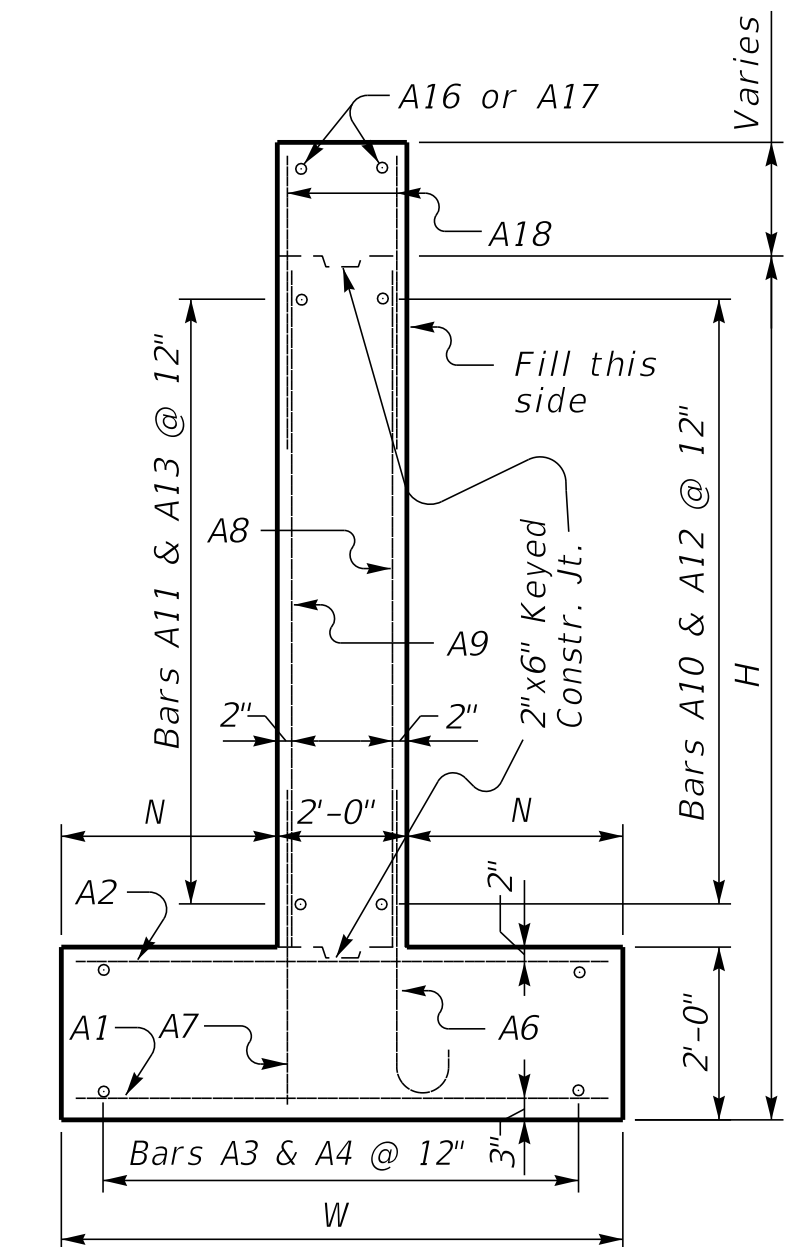
(Left Skew as shown; right skew opp. hand)

PLAN

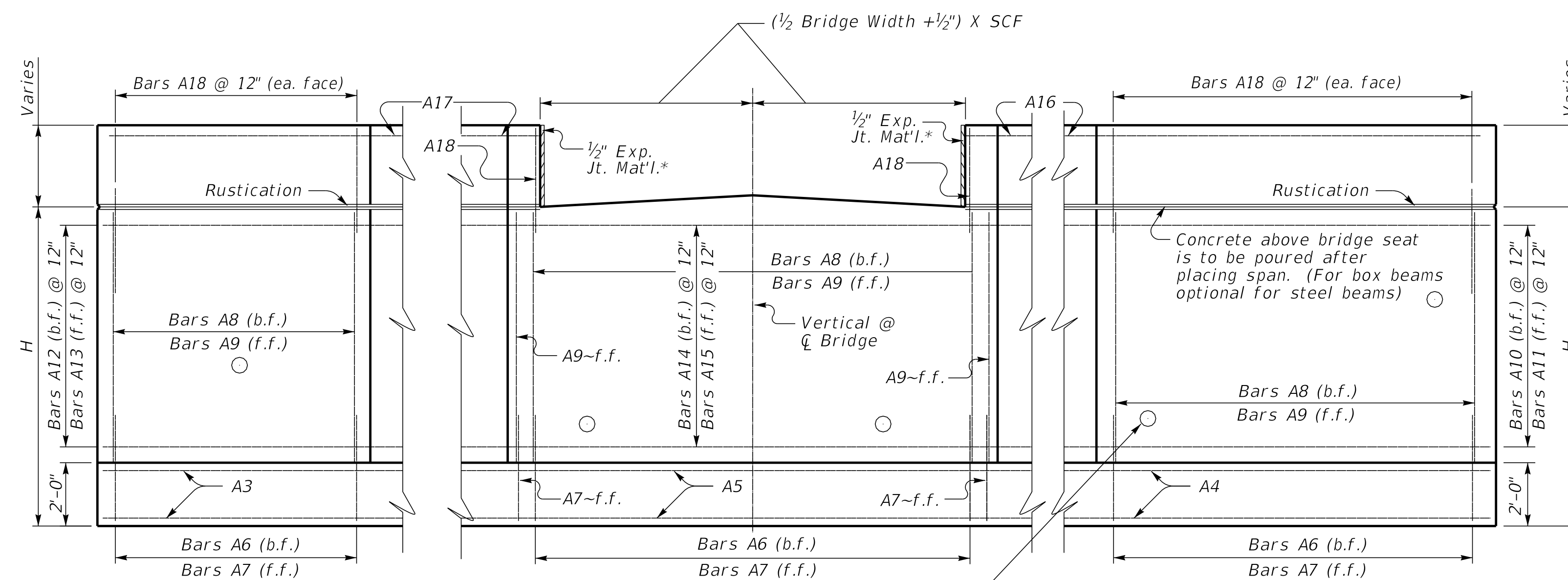
NOTE: Trim A16 & A17 bars if necessary
Trim A3 bars as necessary



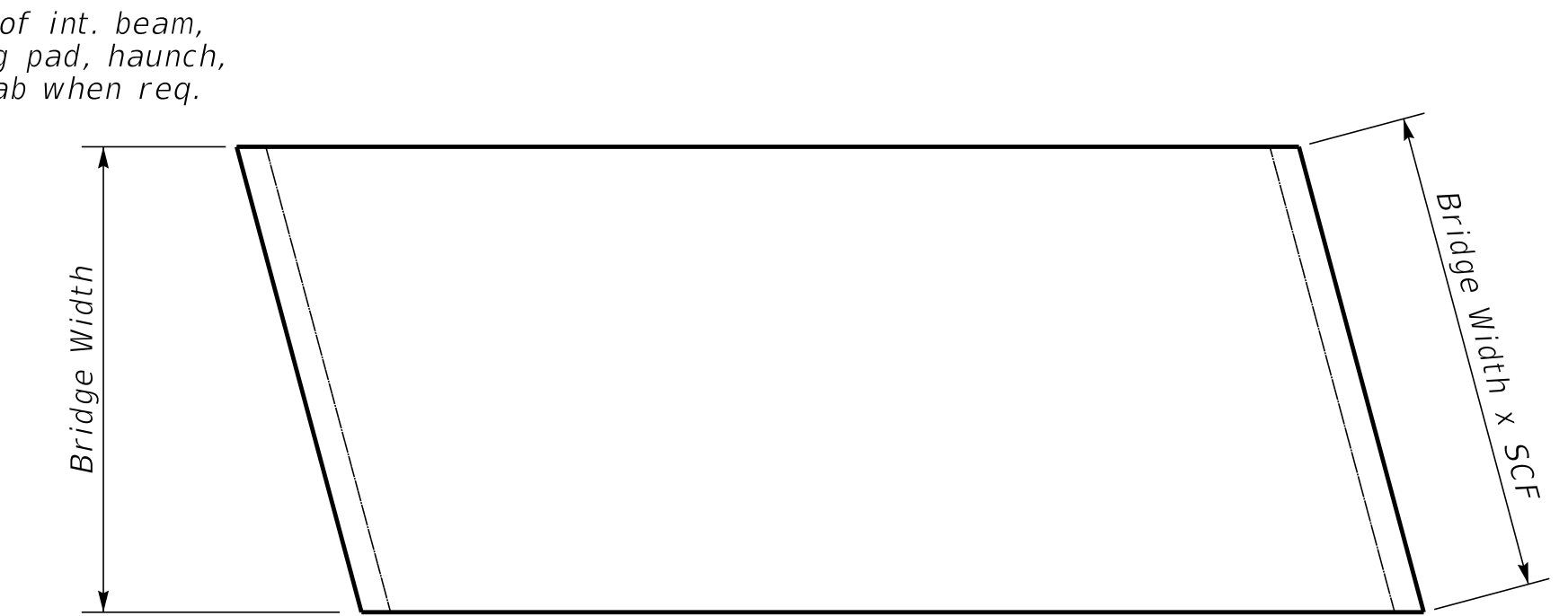
WALL SECTION



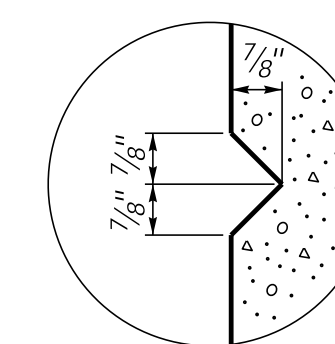
WING SECTION



ELEVATION



PLAN OF SUPERSTRUCTURE SLAB



RUSTICATION GROOVE

*Expansion Joint Material:
AASHTO M153
Type-I Sponge Rubber
Type-II Cork permitted with contractor provided
documentation that the Build America Buy America
requirements are satisfied.



COMMONWEALTH OF KENTUCKY
DEPARTMENT OF HIGHWAYS



DRAWING TITLE: SEPIA 072 - 15° SKEW VARIABLE WIDTH ABUTMENT PARALLEL WINGS

SUBMITTED *Michael Cost* 10/25/2024
DIVISION DIRECTOR DATE

ITEM NO. COUNTY OF

SHEET NO.