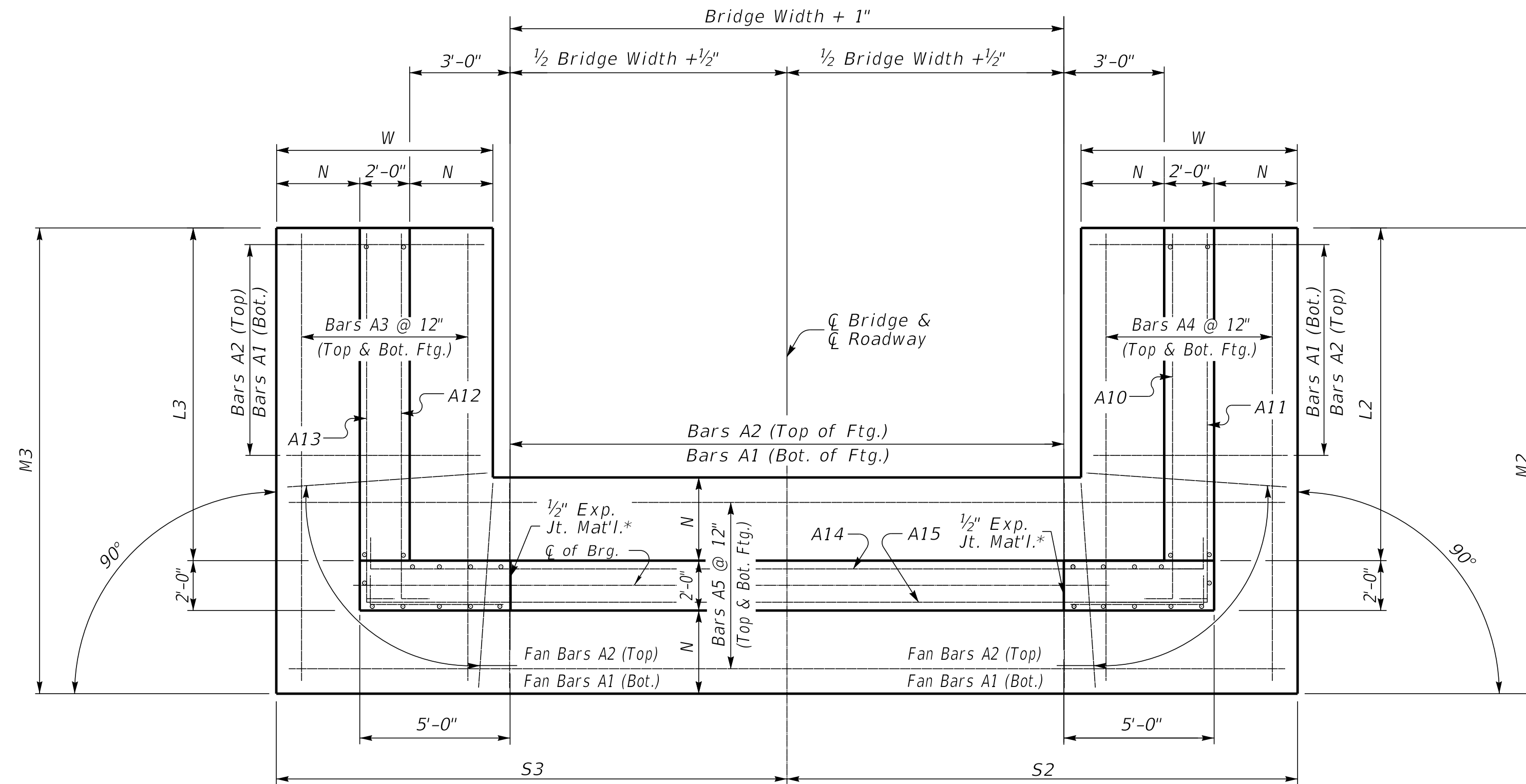


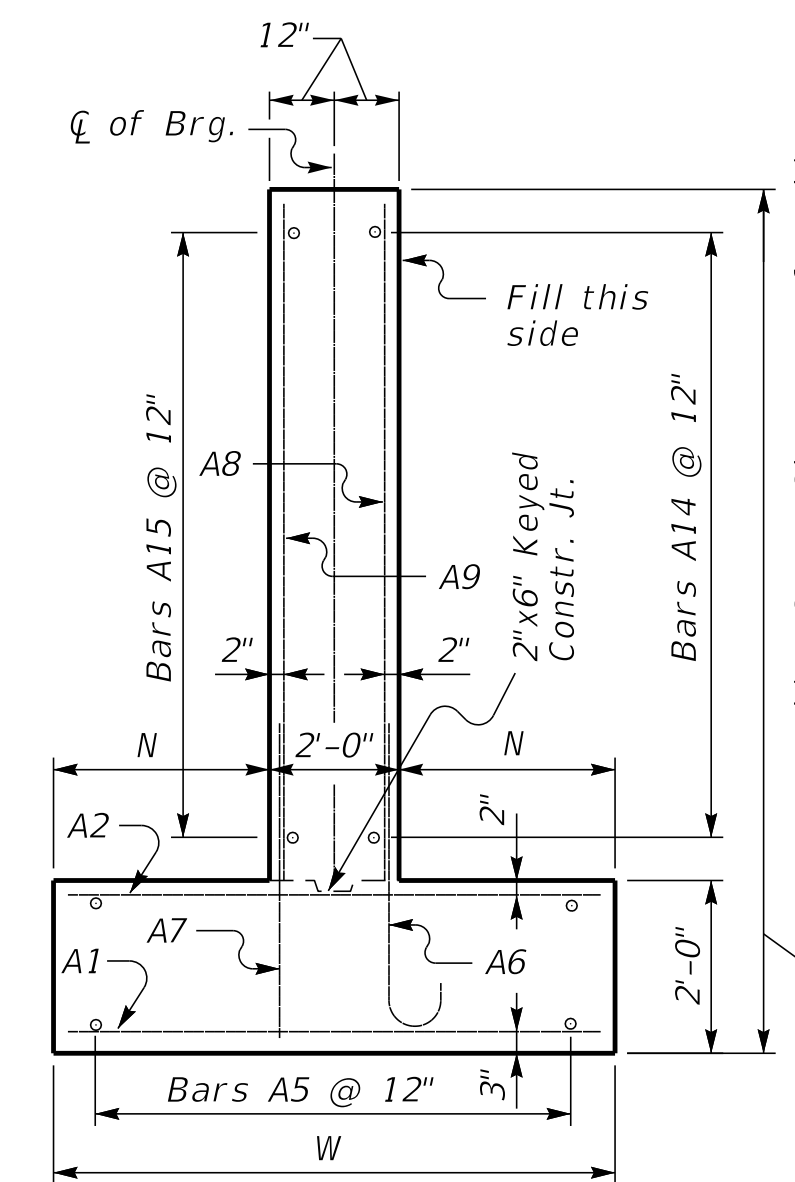
0° SKEW VARIABLE BRIDGE WIDTH 2:1 FILL SLOPES WINGS PARALLEL TO ROADWAY

ABUTMENT SKEW CORRECTION FACTOR (SCF) = 1.000



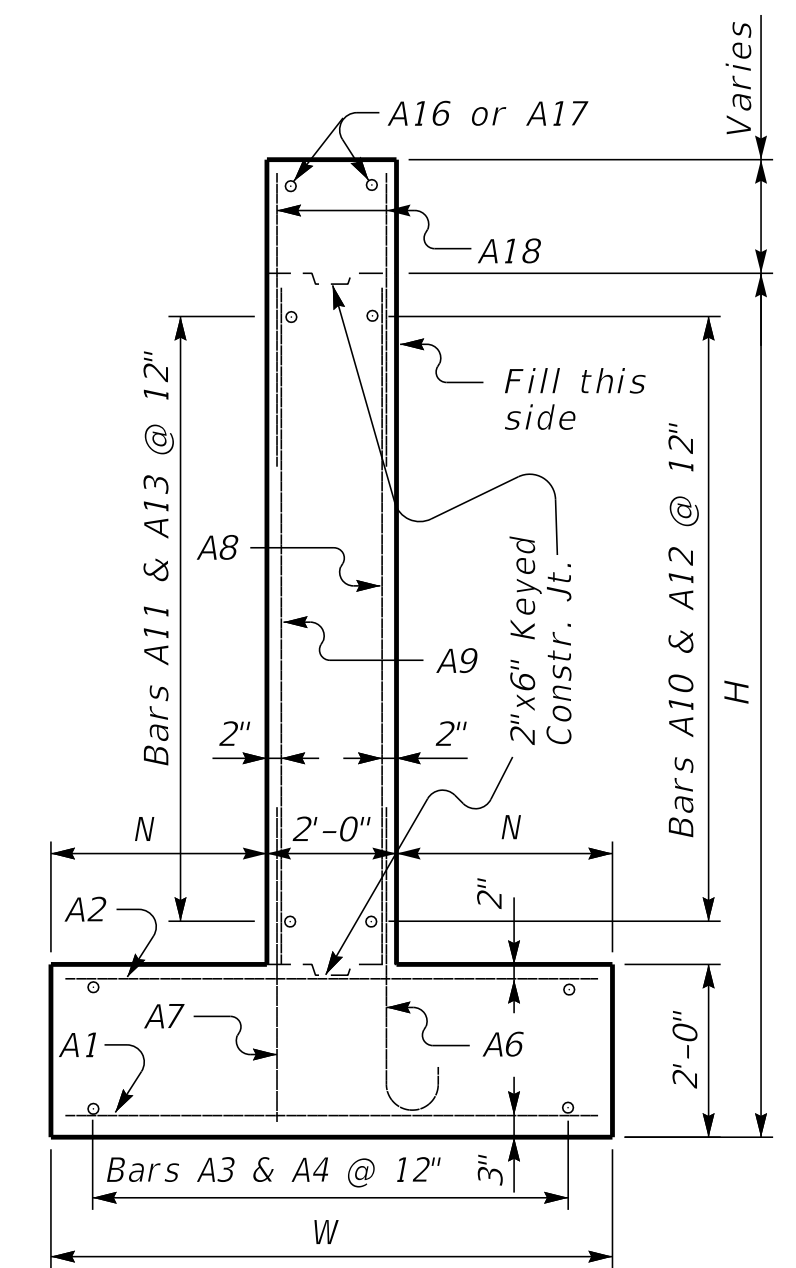
PLAN

NOTE: Trim A16 & A17 bars if necessary

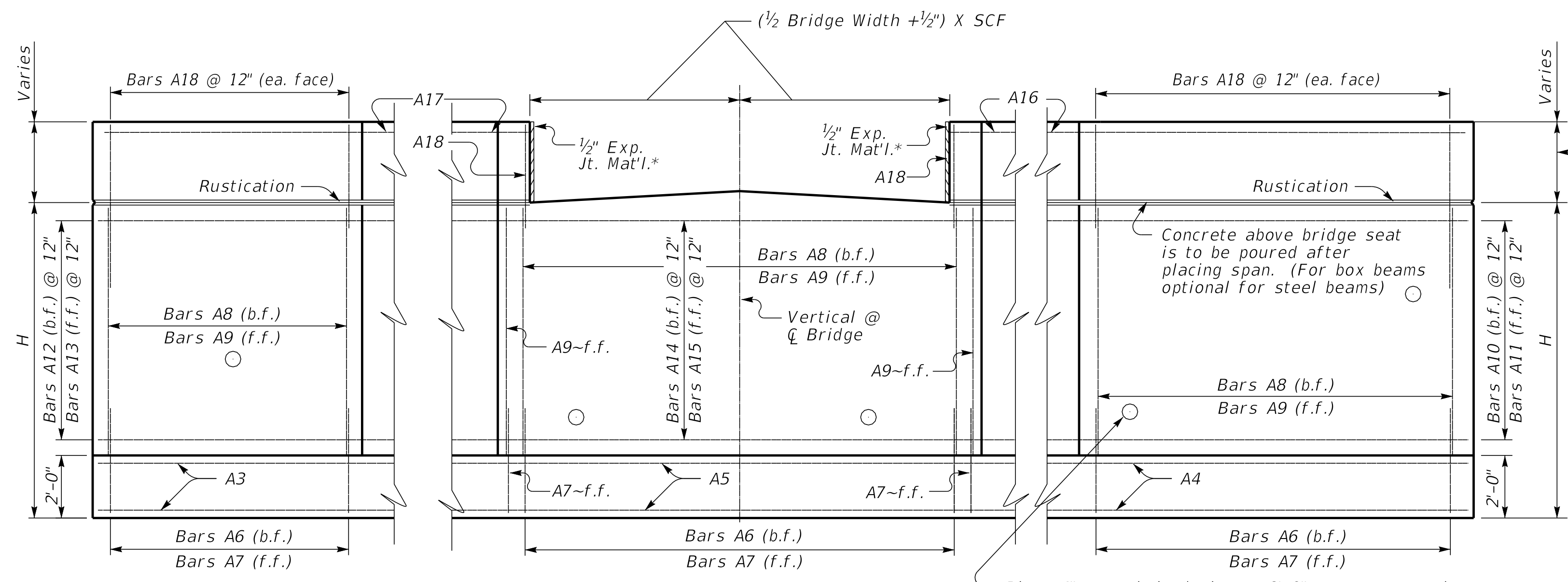


WALL SECTION

H = Low Bridge Seat. Slope seat for side by side box beams. Step cap as necessary for rolled steel beam superstructures to achieve a 2% cross slope on deck.

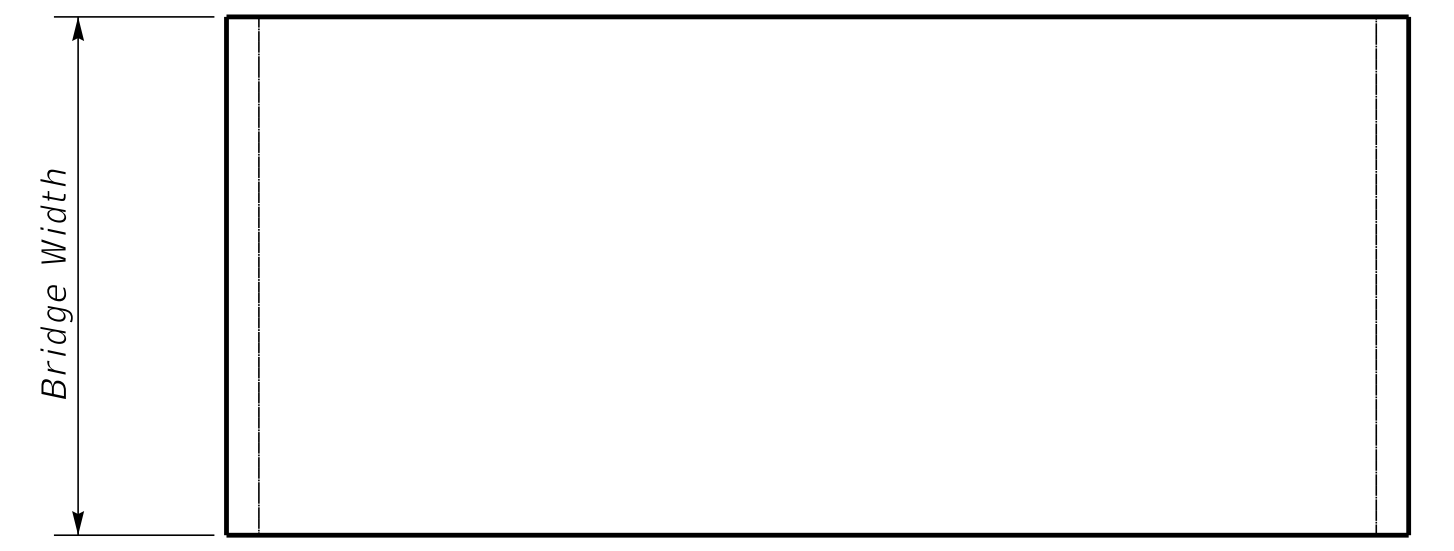


WING SECTION

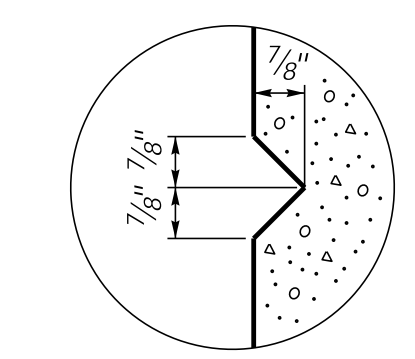


ELEVATION

Depth of int. beam, bearing pad, haunch, and slab when req.



PLAN OF SUPERSTRUCTURE SLAB



RUSTICATION GROOVE

*Expansion Joint Material:
AASHTO M153
Type-I Sponge Rubber
Type-II Cork permitted with contractor provided documentation that the Build America Buy America requirements are satisfied.

Place 4" weep hole drains at 8'-0" centers at such elevation as to afford best drainage of backfill, in accordance with the Standard Specifications.

SUBMITTED *Michael Cost* 10/25/2024
DIVISION DIRECTOR DATE