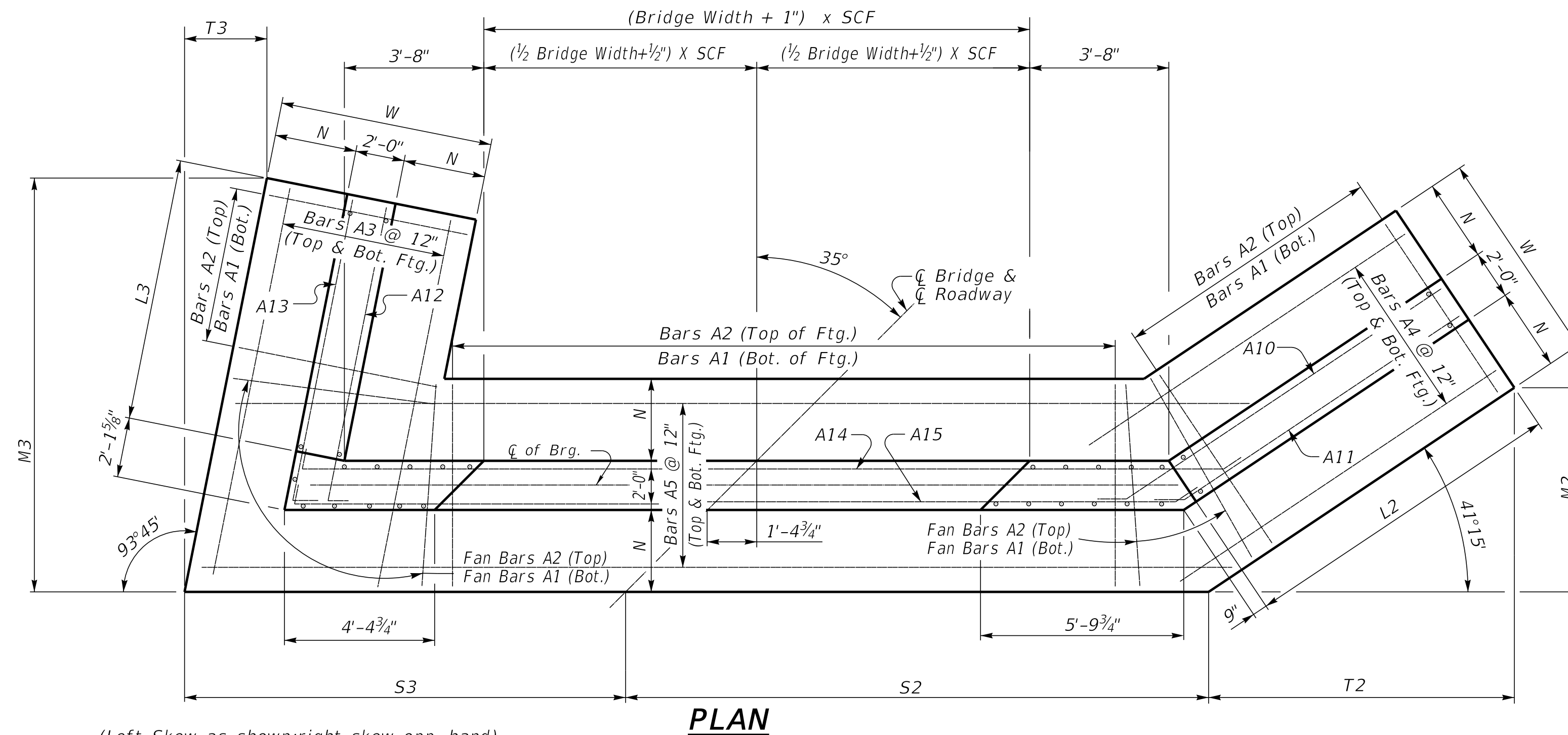


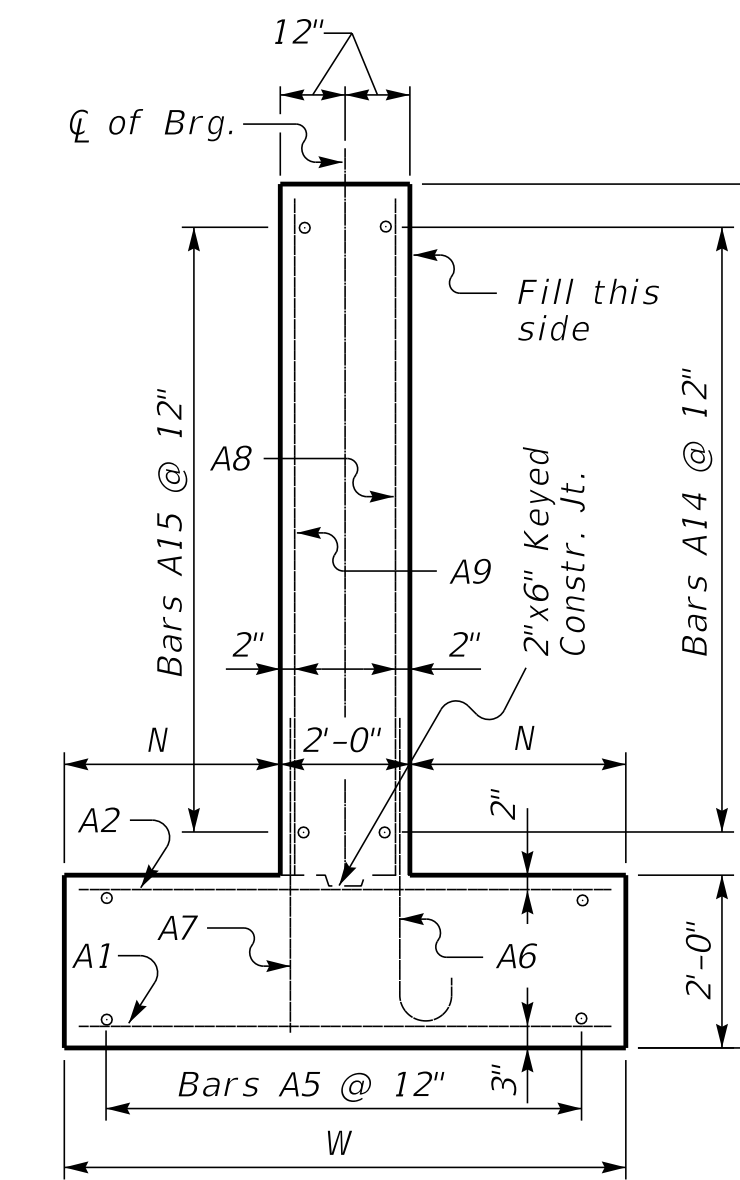
# 35° SKEW VARIABLE BRIDGE WIDTH 2:1 FILL SLOPES WINGS SKEWED 25% FROM ROADWAY TO BREASTWALL

ABUTMENT SKEW CORRECTION FACTOR (SCF) = 1.221

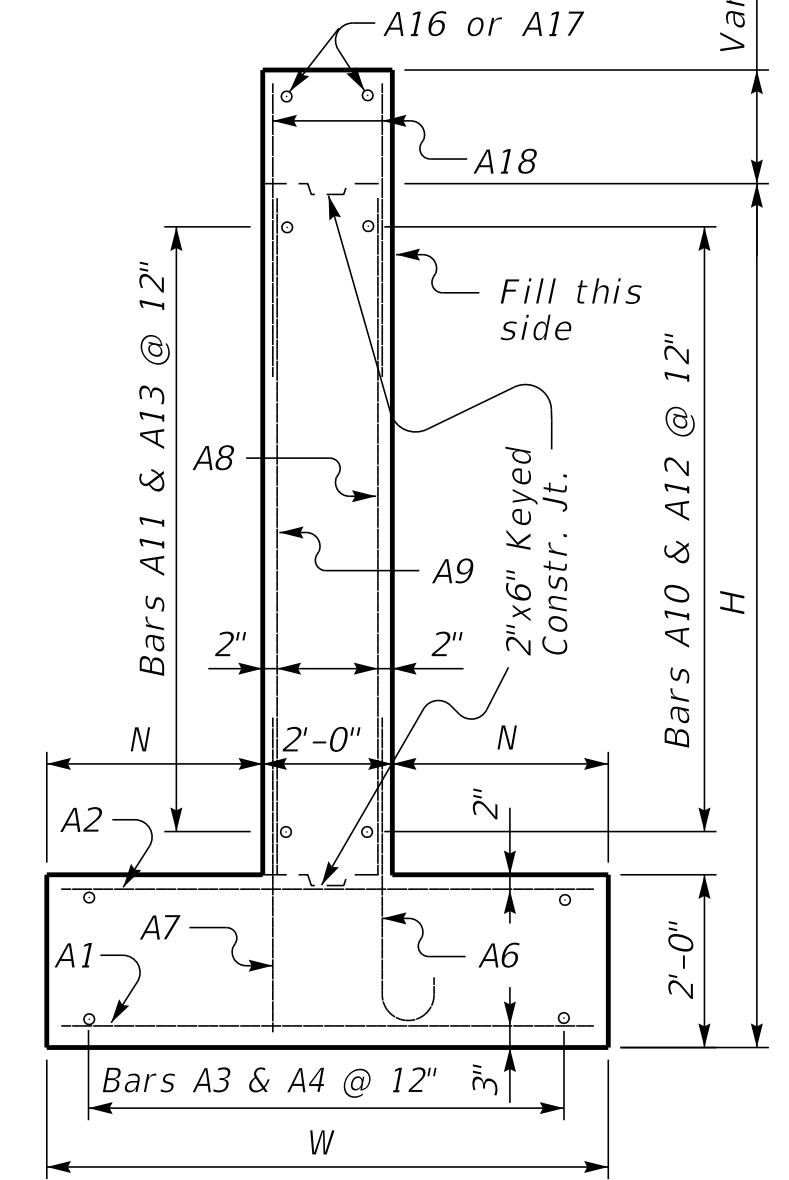


(Left Skew as shown; right skew opp. hand)

**PLAN**

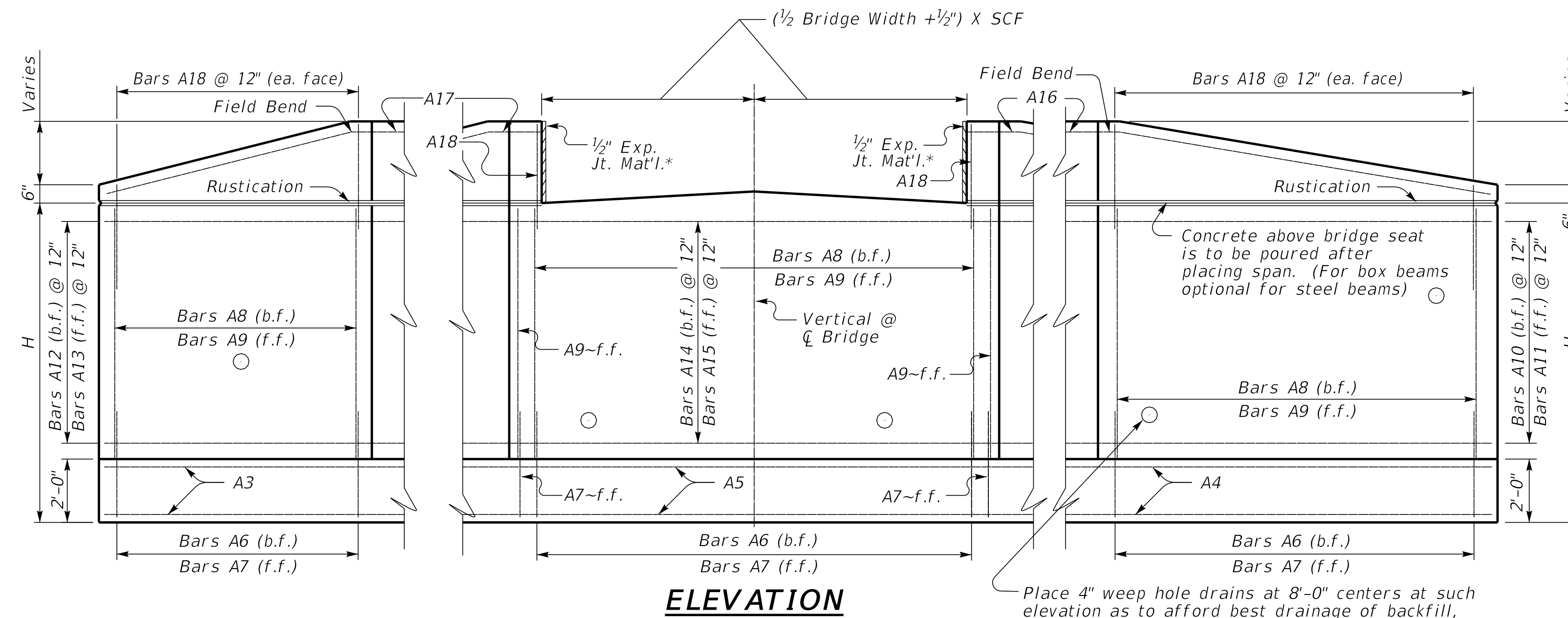


**WALL SECTION**



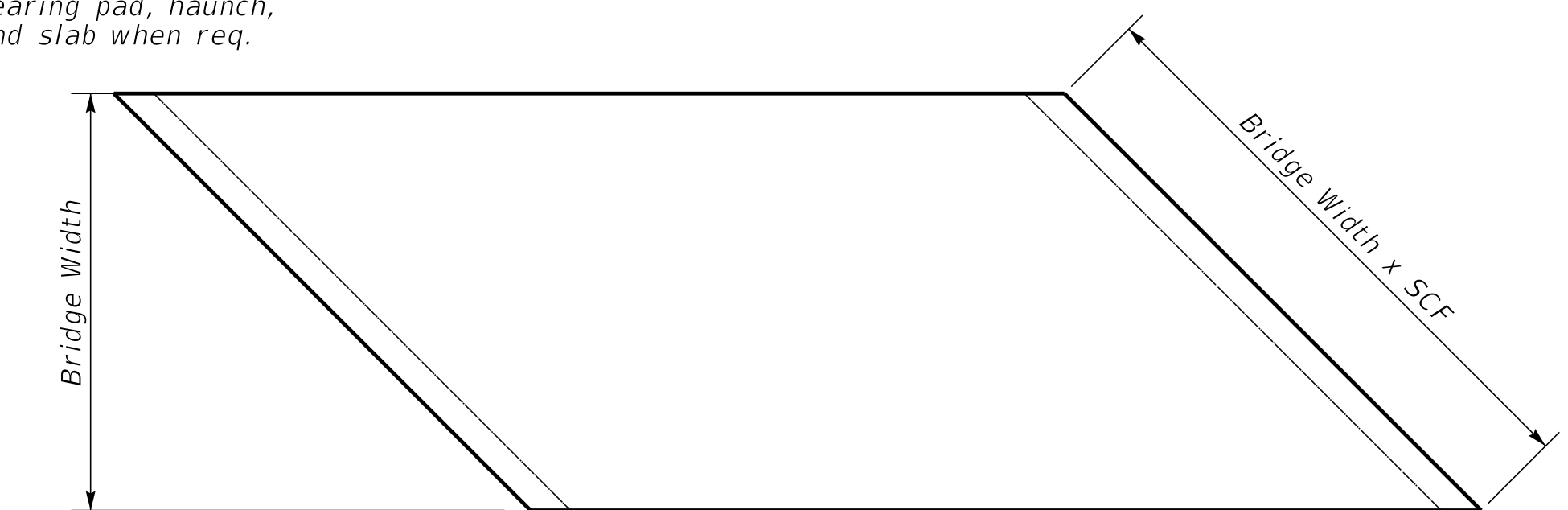
**WING SECTION**

NOTE: Trim A16 & A17 bars if necessary  
Trim A3 bars as necessary

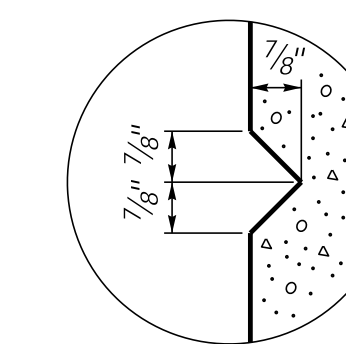


**ELEVATION**

Depth of int. beam, bearing pad, haunch, and slab when req.



**PLAN OF SUPERSTRUCTURE SLAB**



**RUSTICATION GROOVE**

\*Expansion Joint Material:  
AASHTO M153  
Type-I Sponge Rubber  
Type-II Cork permitted with contractor provided documentation that the Build America Buy America requirements are satisfied.

SUBMITTED *Michael Cost* 10/25/2024  
DIVISION DIRECTOR DATE



COMMONWEALTH OF KENTUCKY  
DEPARTMENT OF HIGHWAYS



DRAWING TITLE: SEPIA 066 - 35° SKEW VARIABLE WIDTH ABUTMENT 25% SKEWED WINGS

ITEM NO. COUNTY OF

SHEET NO.