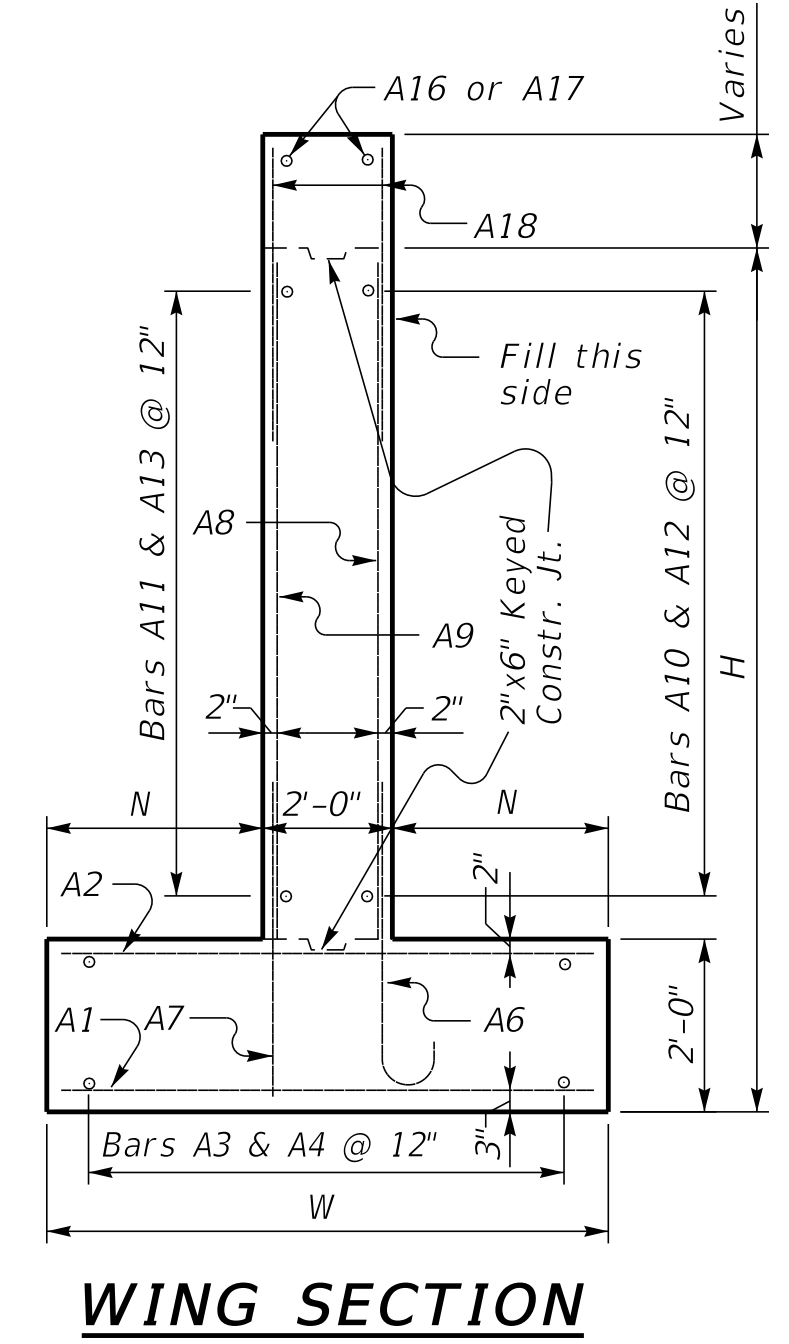
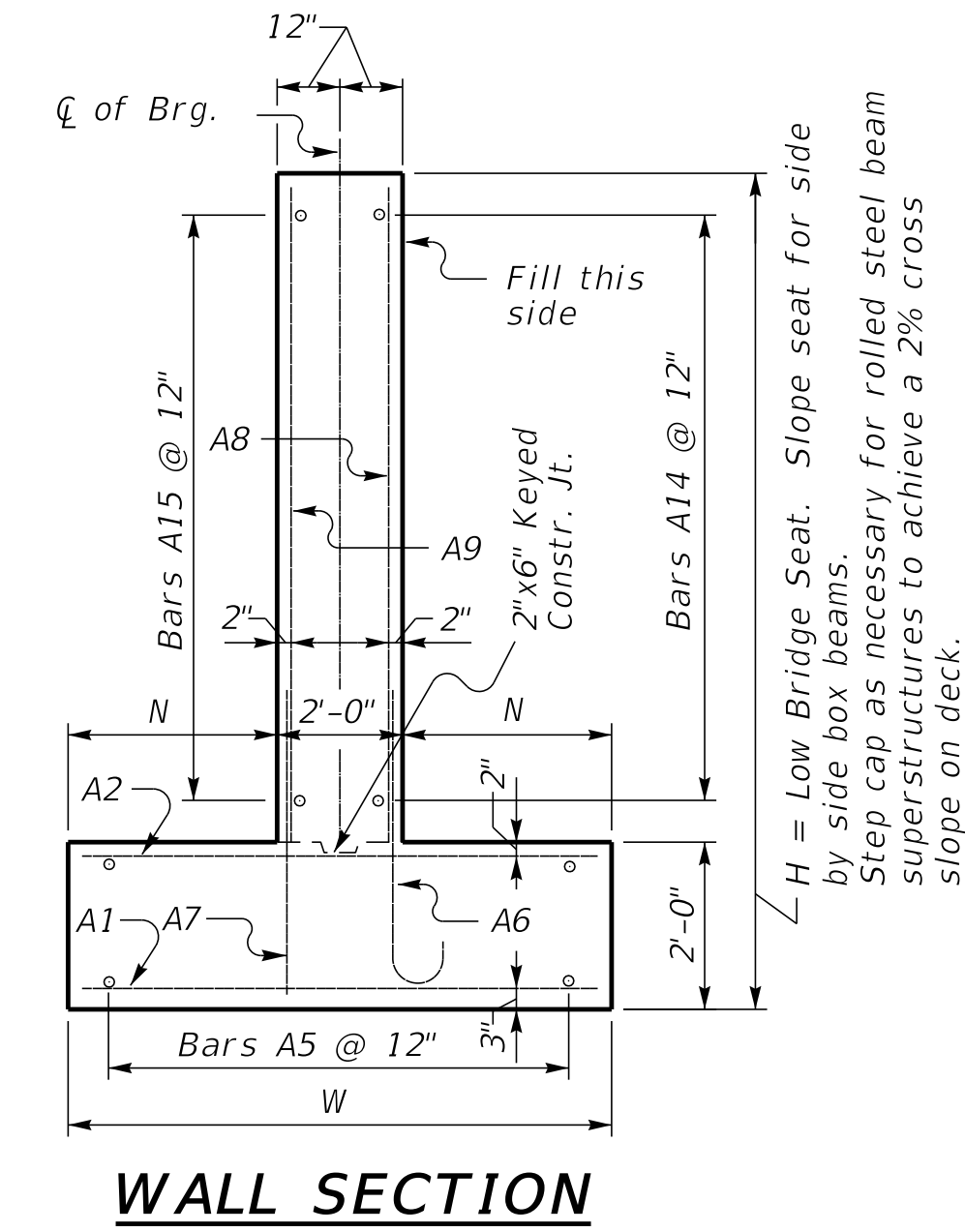
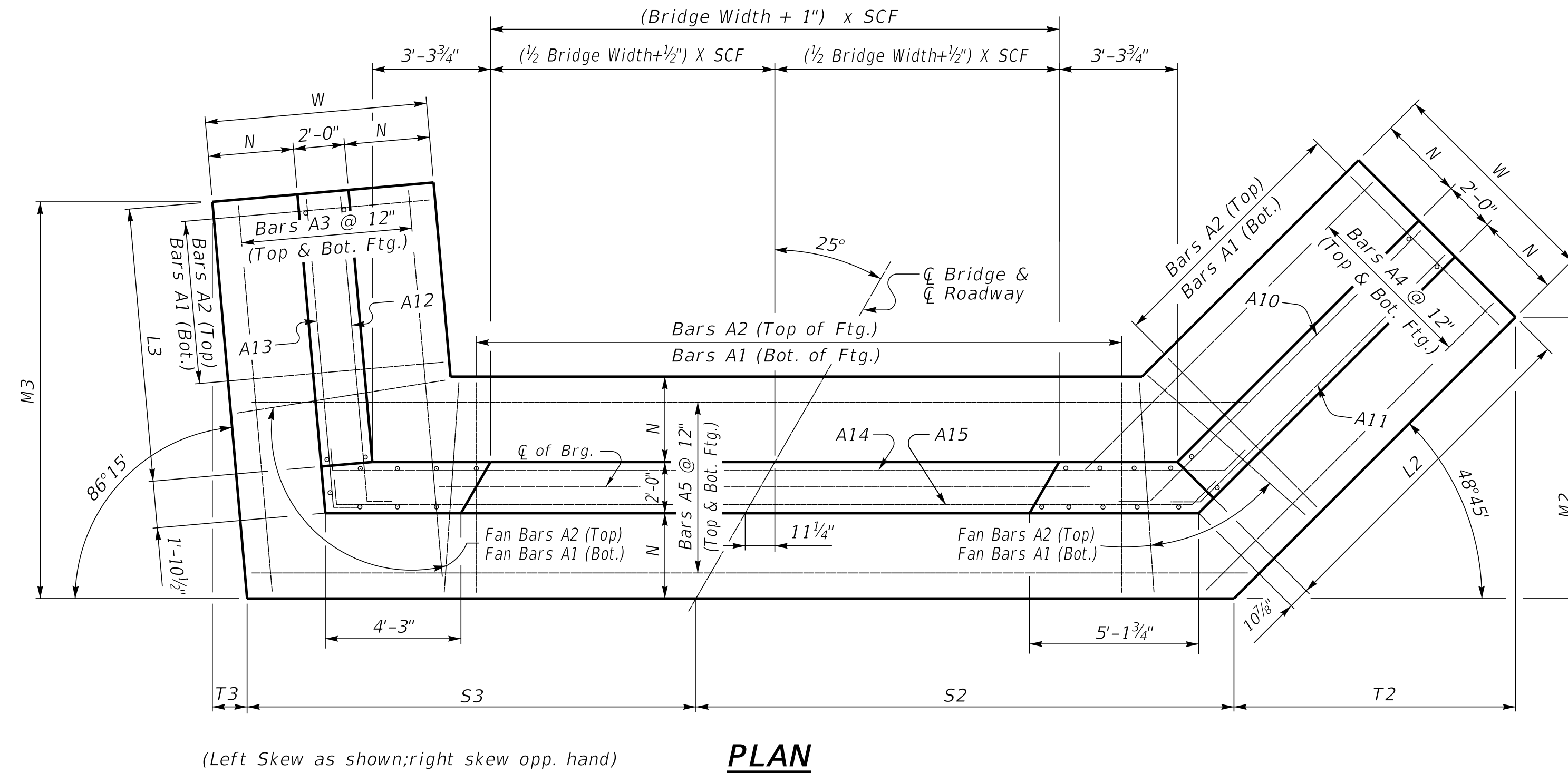
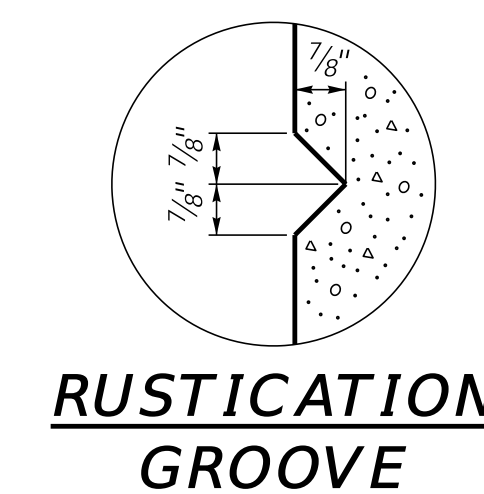
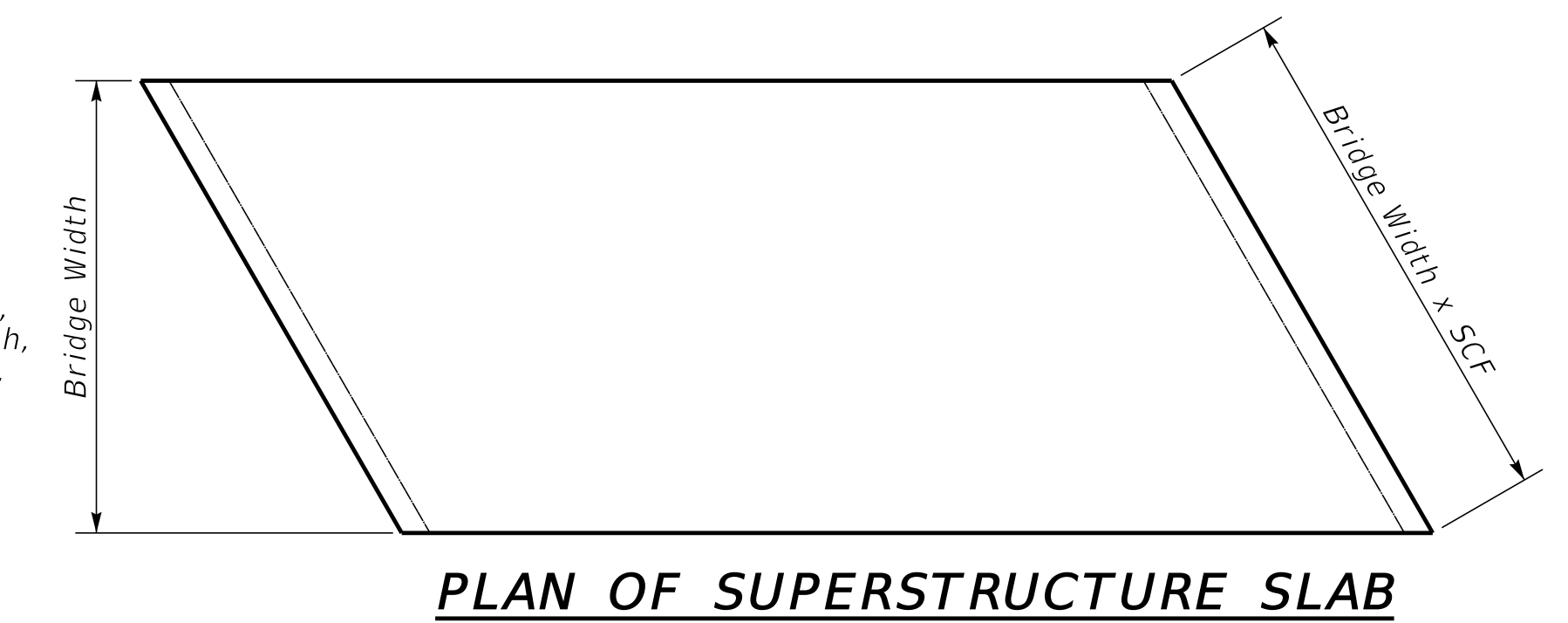
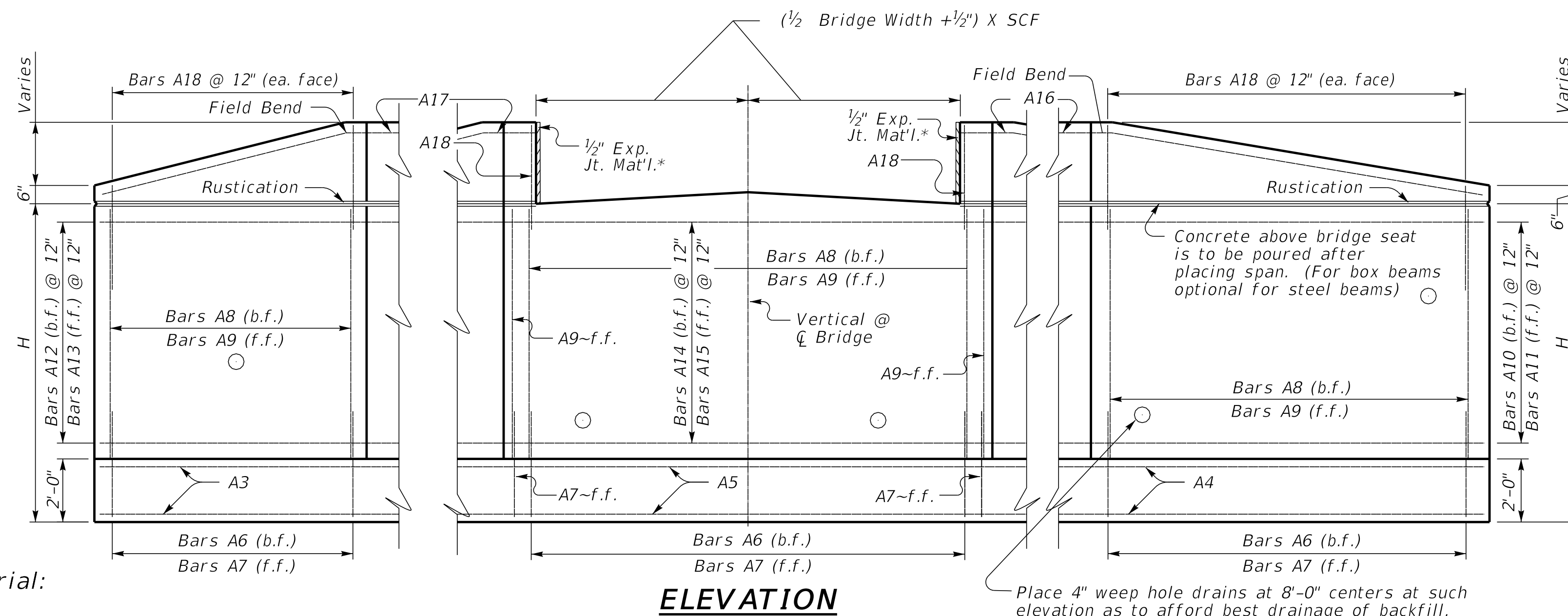


# 25° SKEW VARIABLE BRIDGE WIDTH 2:1 FILL SLOPES WINGS SKEWED 25% FROM ROADWAY TO BREASTWALL

ABUTMENT SKEW CORRECTION FACTOR (SCF) = 1.103



NOTE: Trim A16 & A17 bars if necessary



\*Expansion Joint Material:  
AASHTO M153  
Type-I Sponge Rubber  
Type-II Cork permitted with contractor provided  
documentation that the Build America Buy America  
requirements are satisfied.

Place 4" weep hole drains at 8'-0" centers at such  
elevation as to afford best drainage of backfill,  
in accordance with the Standard Specifications.

Depth of int. beam,  
bearing pad, haunch,  
and slab when req.

SUBMITTED *Michael Cost* 10/25/2024  
DIVISION DIRECTOR DATE



COMMONWEALTH OF KENTUCKY  
DEPARTMENT OF HIGHWAYS

DRAWING TITLE: SEPIA 064 - 25° SKEW VARIABLE WIDTH ABUTMENT 25% SKEWED WINGS

ITEM NO. COUNTY OF

SHEET NO.