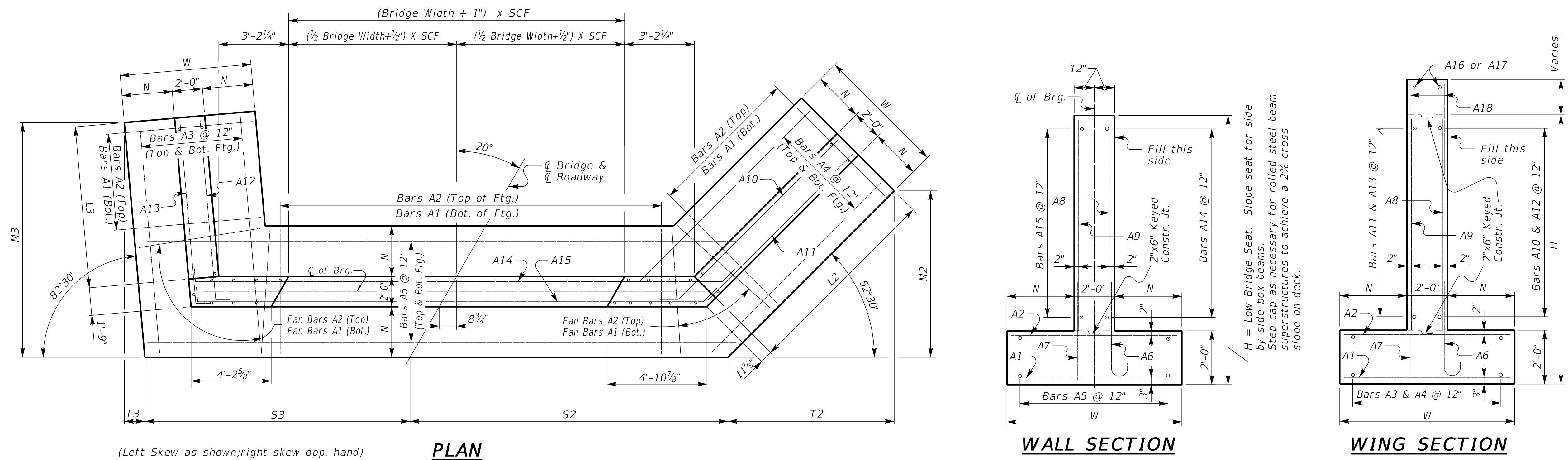


20° SKEW VARIABLE BRIDGE WIDTH 2:1 FILL SLOPES WINGS SKEWED 25% FROM ROADWAY TO BREASTWALL

ABUTMENT SKEW CORRECTION FACTOR (SCF) = 1.064



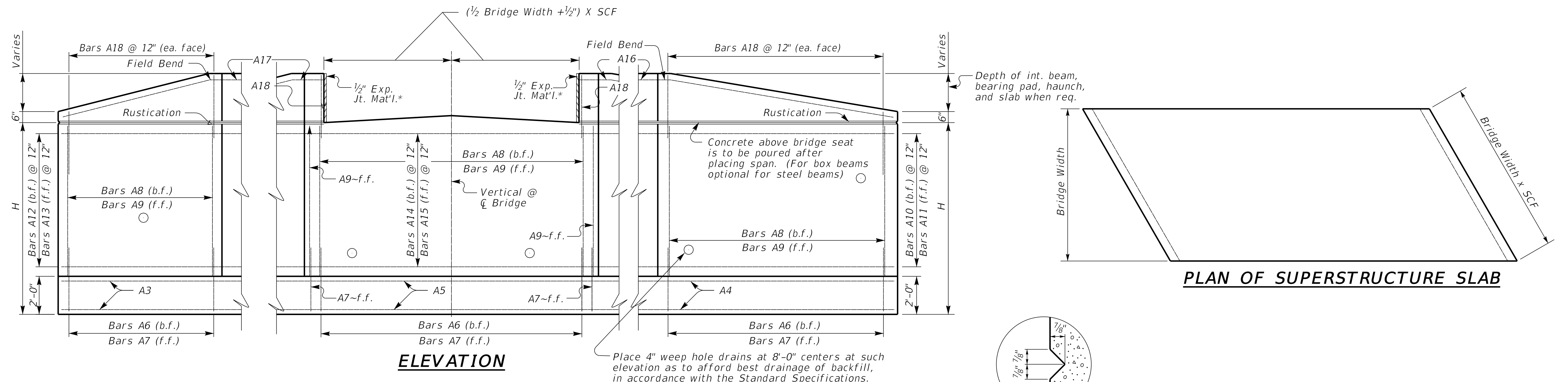
(Left Skew as shown; right skew opp. hand)

PLAN

WALL SECTION

WING SECTION

NOTE: Trim A16 & A17 bars if necessary



ELEVATION

PLAN OF SUPERSTRUCTURE SLAB

RUSTICATION GROOVE

*Expansion Joint Material:
AASHTO M153
Type-I Sponge Rubber
Type-II Cork permitted with contractor provided
documentation that the Build America Buy America
requirements are satisfied.

SUBMITTED *Michael Cost* 10/25/2024
DIVISION DIRECTOR DATE



COMMONWEALTH OF KENTUCKY
DEPARTMENT OF HIGHWAYS



DRAWING TITLE: SEPIA 063 - 20° SKEW VARIABLE WIDTH ABUTMENT 25% SKEWED WINGS

ITEM NO. COUNTY OF

SHEET NO.