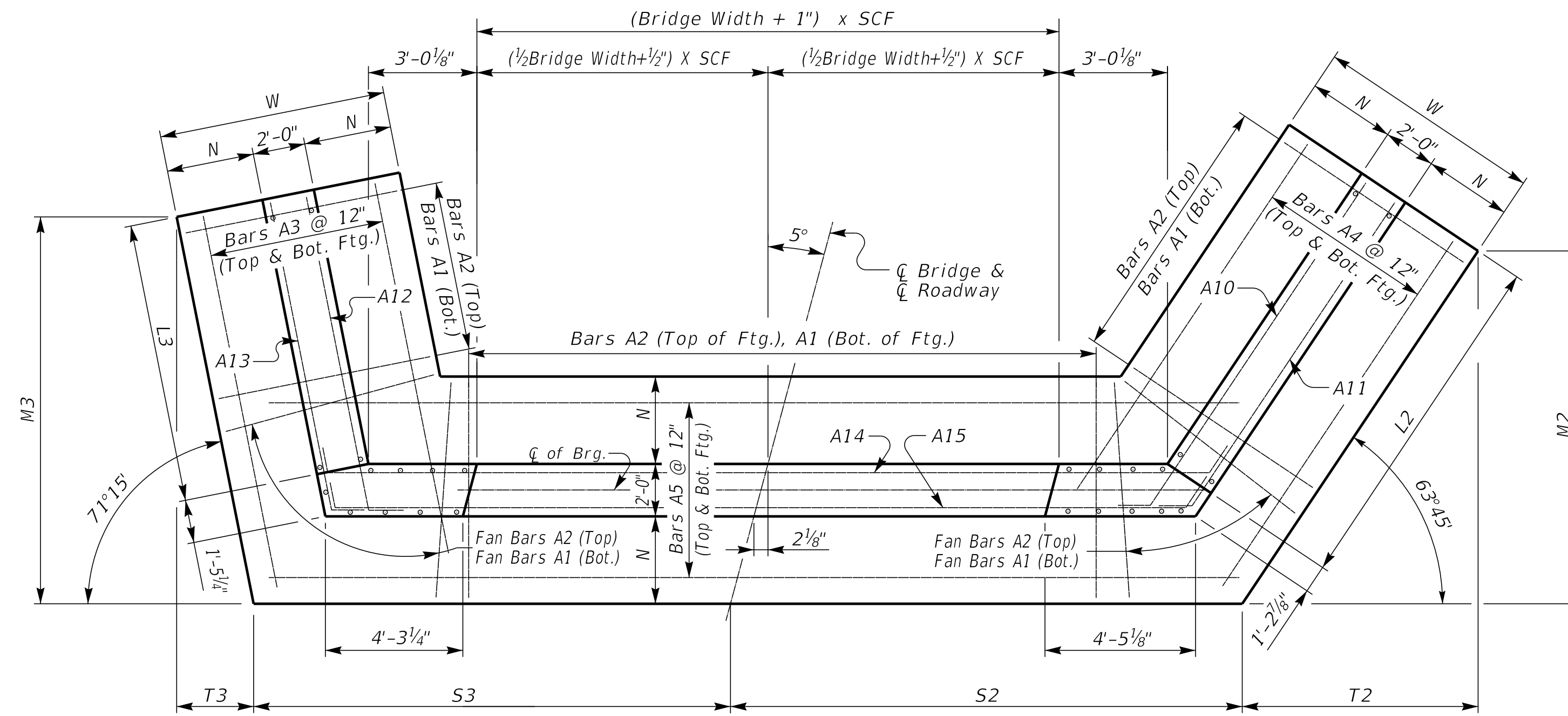


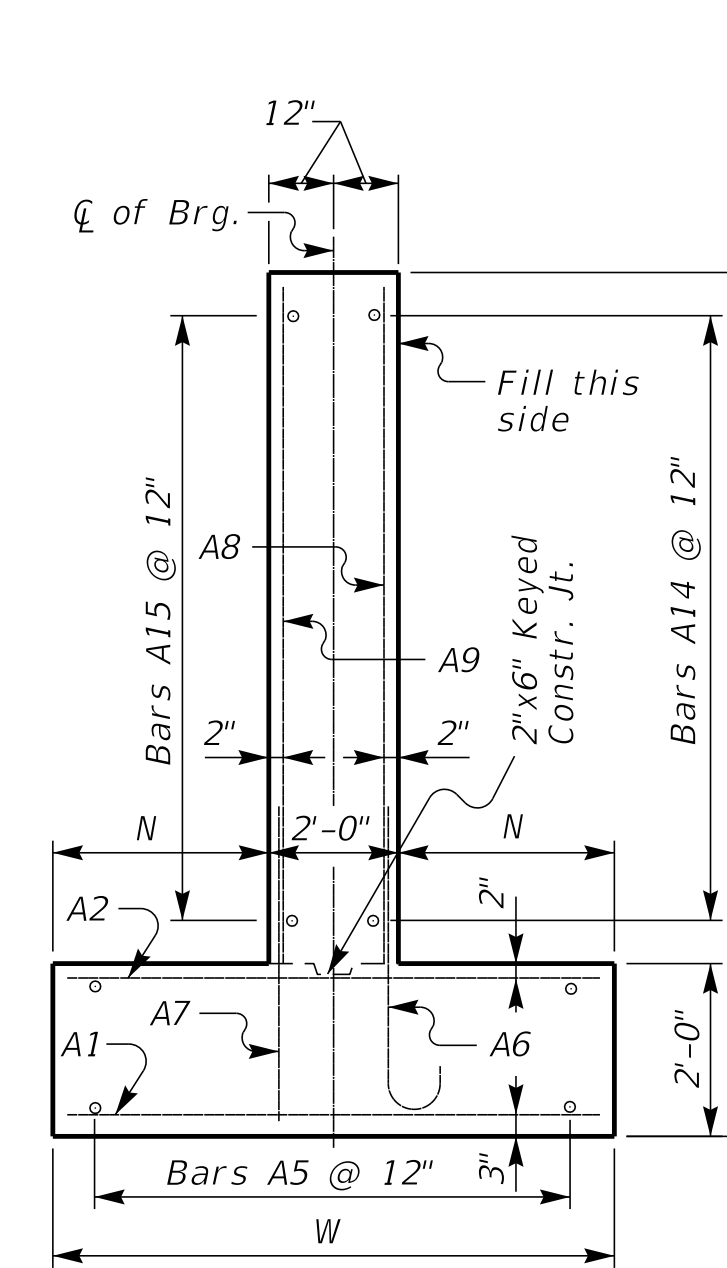
5° SKEW VARIABLE BRIDGE WIDTH 2:1 FILL SLOPES WINGS SKEWED 25% FROM ROADWAY TO BREASTWALL

ABUTMENT SKEW CORRECTION FACTOR (SCF) = 1.004

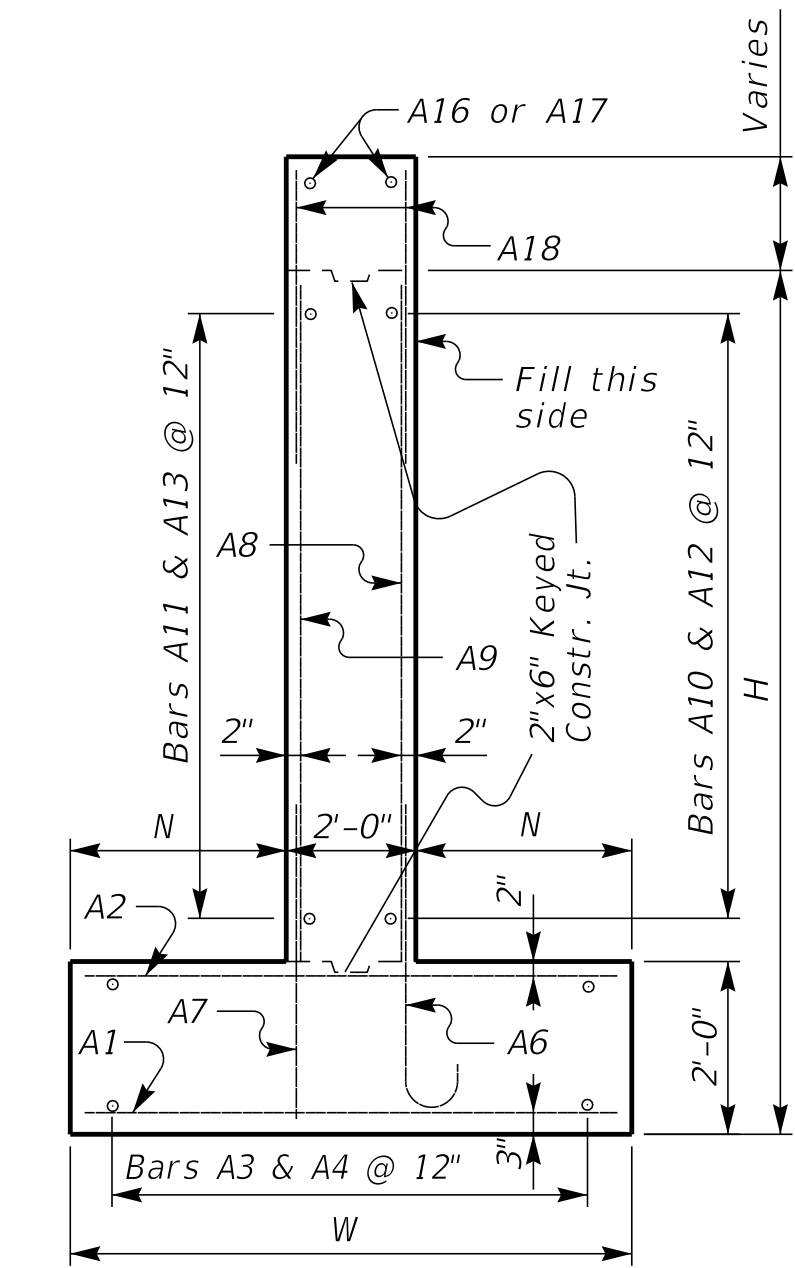


(Left Skew as shown; right skew opp. hand)

PLAN

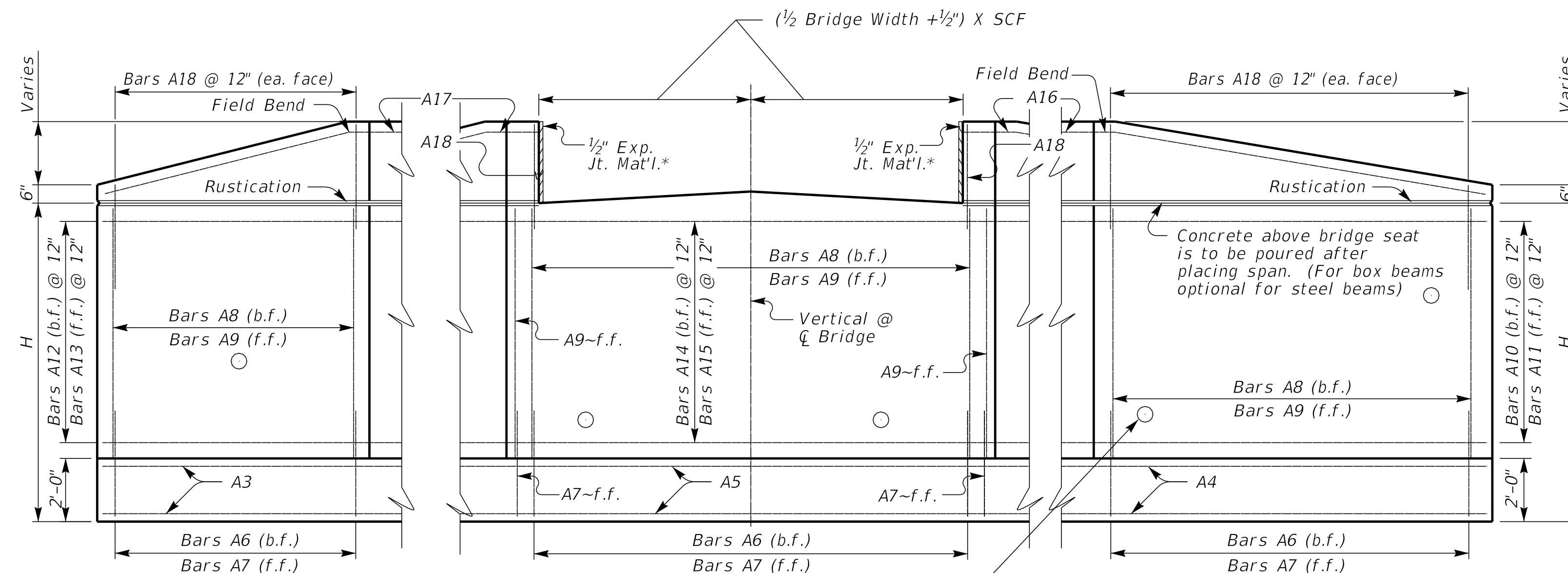


WALL SECTION



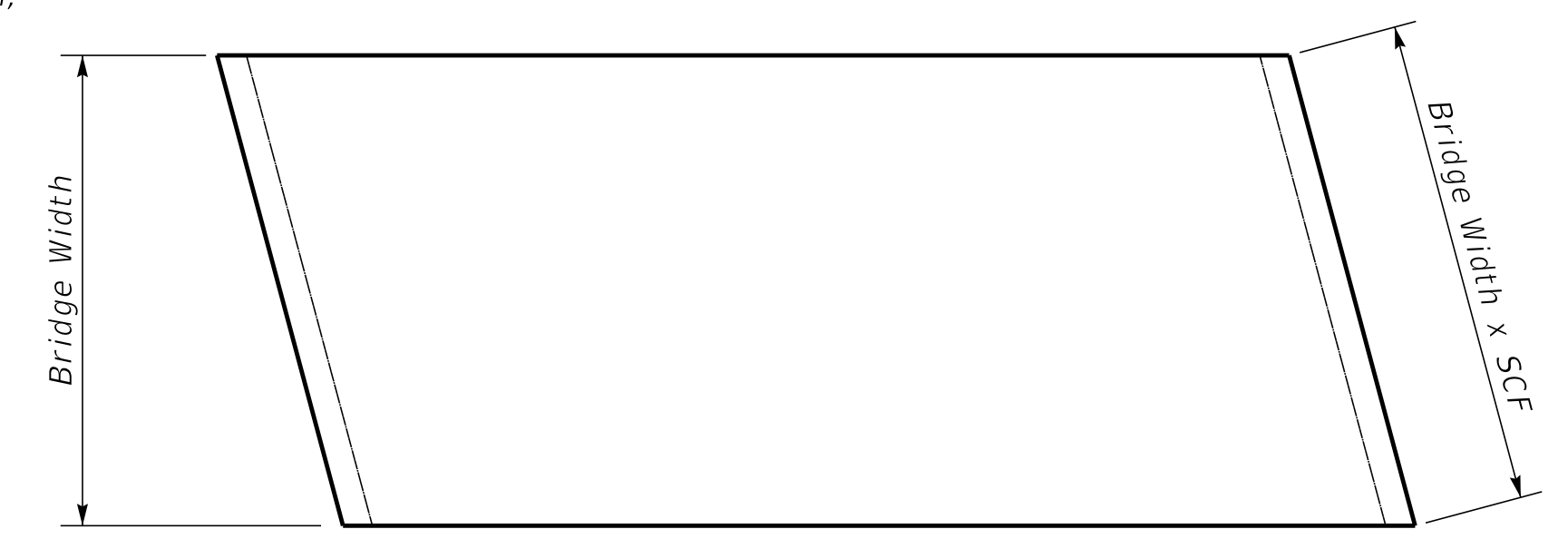
WING SECTION

NOTE: Trim A16 & A17 bars if necessary

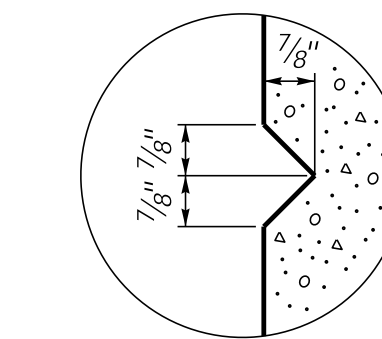


ELEVATION

Depth of int. beam, bearing pad, haunch, and slab when req.



PLAN OF SUPERSTRUCTURE SLAB



RUSTICATION GROOVE

*Expansion Joint Material:
AASHTO M153
Type-I Sponge Rubber
Type-II Cork permitted with contractor provided documentation that the Build America Buy America requirements are satisfied.

SUBMITTED *Michael Cost* 10/25/2024
DIVISION DIRECTOR DATE



COMMONWEALTH OF KENTUCKY
DEPARTMENT OF HIGHWAYS

DRAWING TITLE: SEPIA 060 - 5° SKEW VARIABLE WIDTH ABUTMENT 25% SKEWED WINGS

ITEM NO. COUNTY OF

SHEET NO.