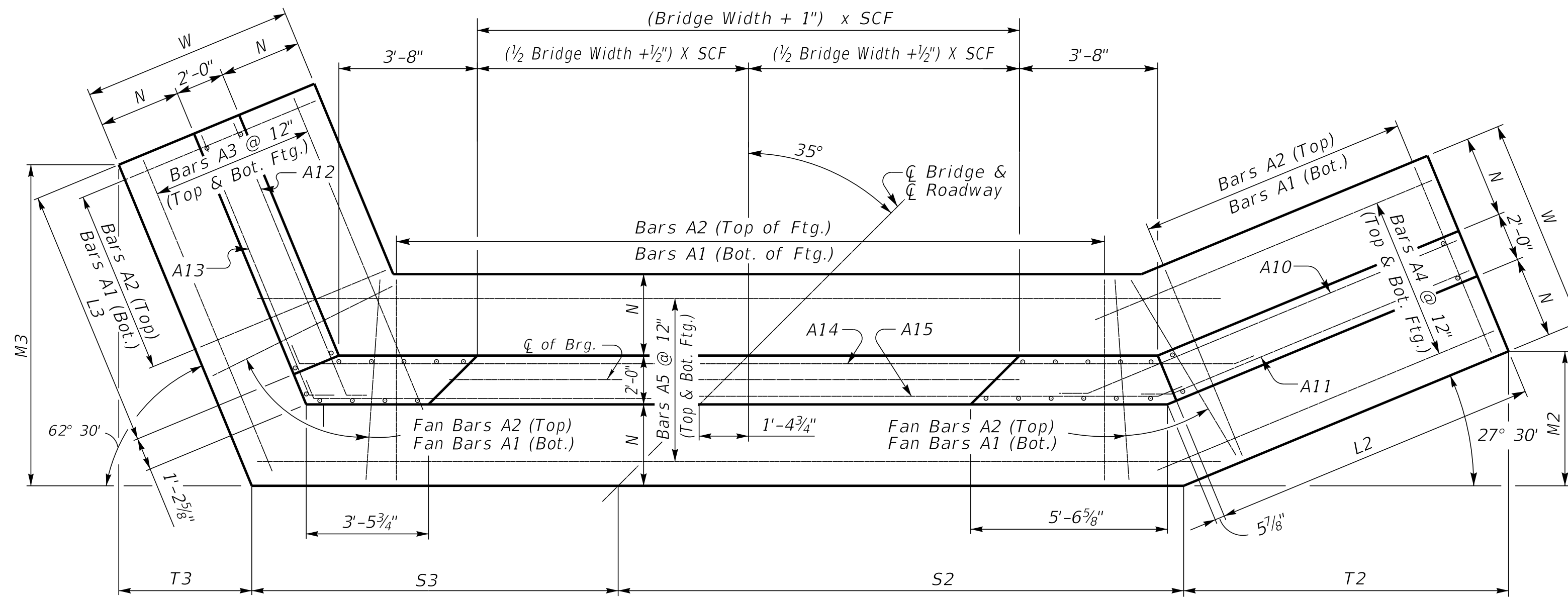


35° SKEW VARIABLE BRIDGE WIDTH 2:1 FILL SLOPES WINGS SKEWED 50% FROM ROADWAY TO BREASTWALL

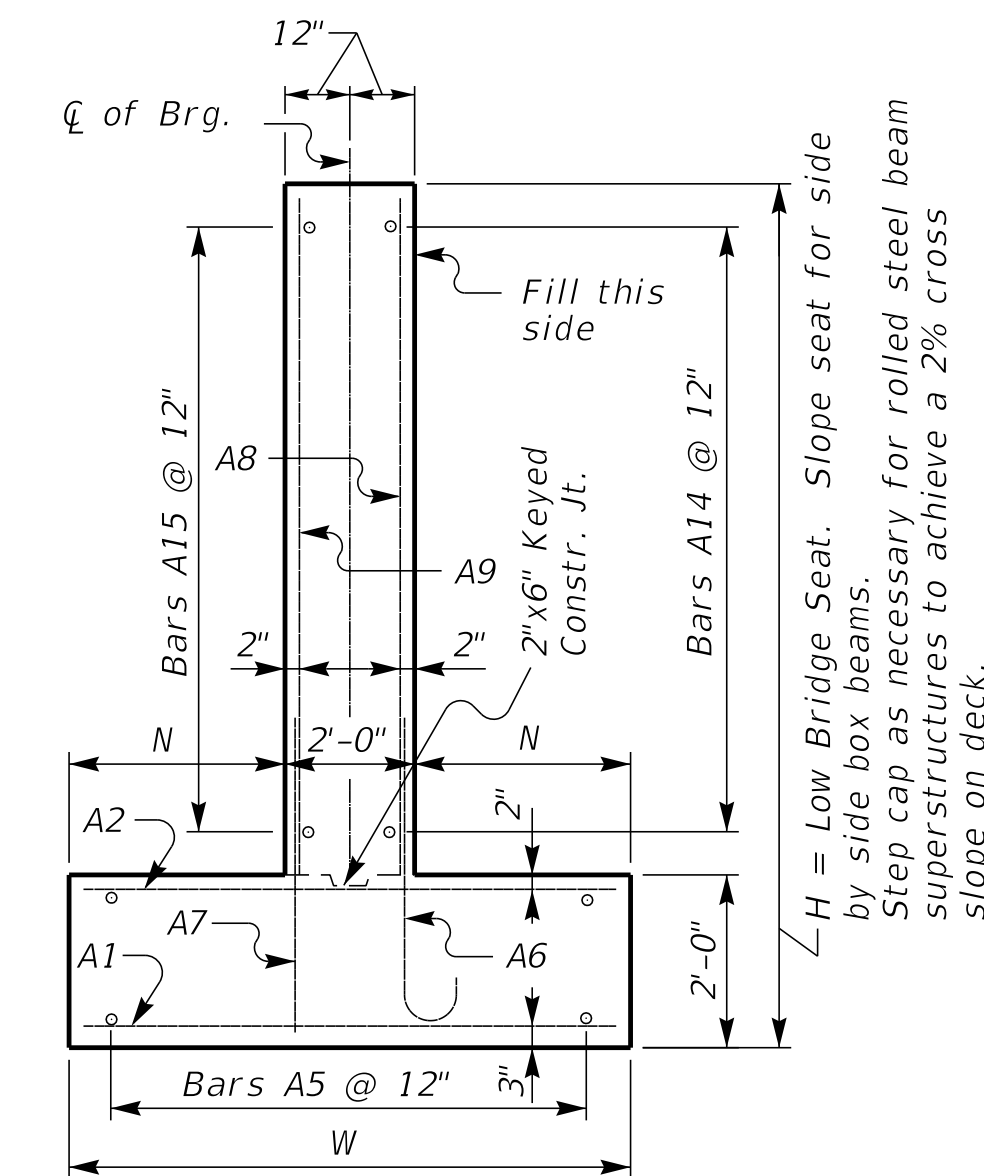
ABUTMENT SKEW CORRECTION FACTOR (SCF) = 1.221



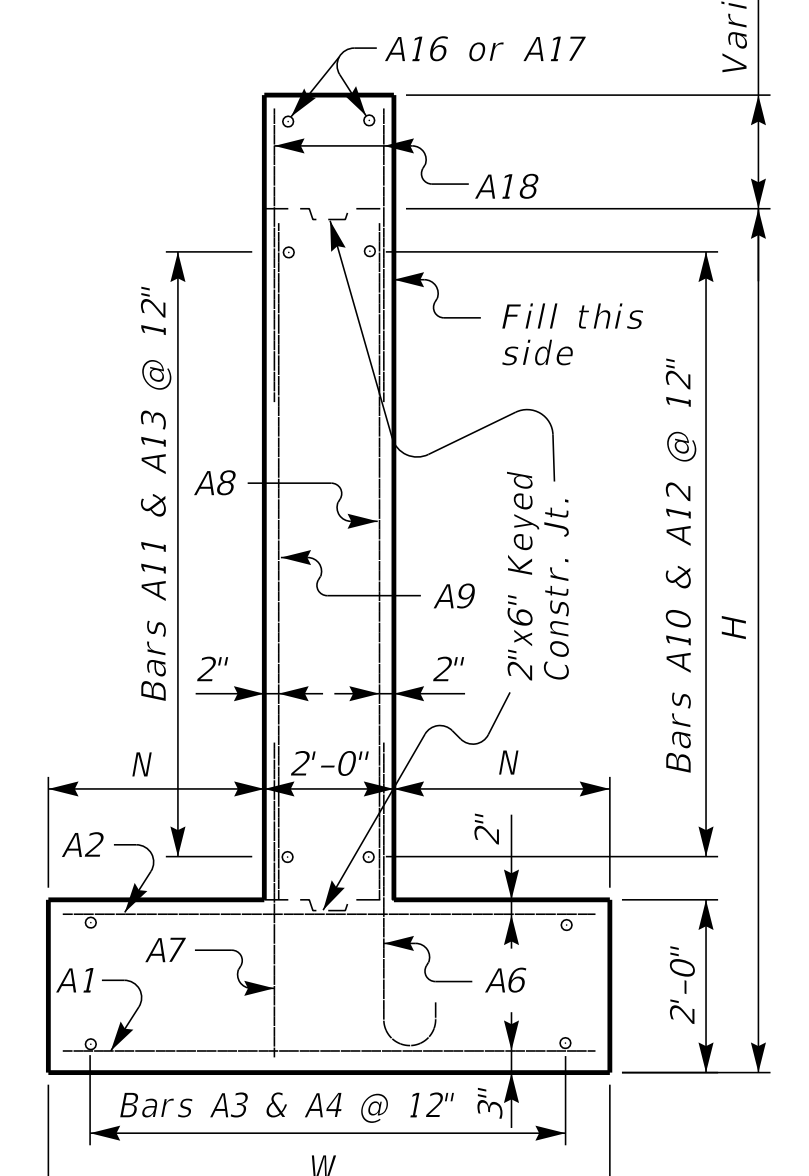
(Left Skew as shown; right skew opp. hand)

PLAN

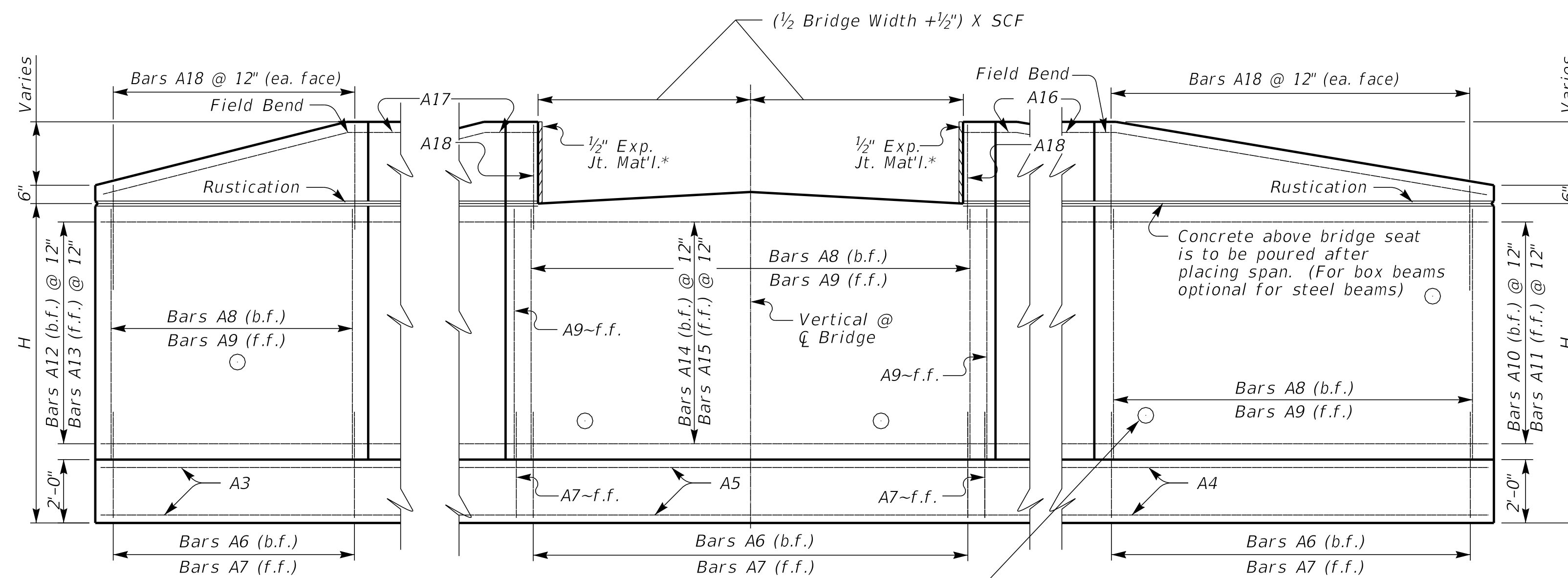
NOTE: Trim A16 & A17 bars if necessary



WALL SECTION

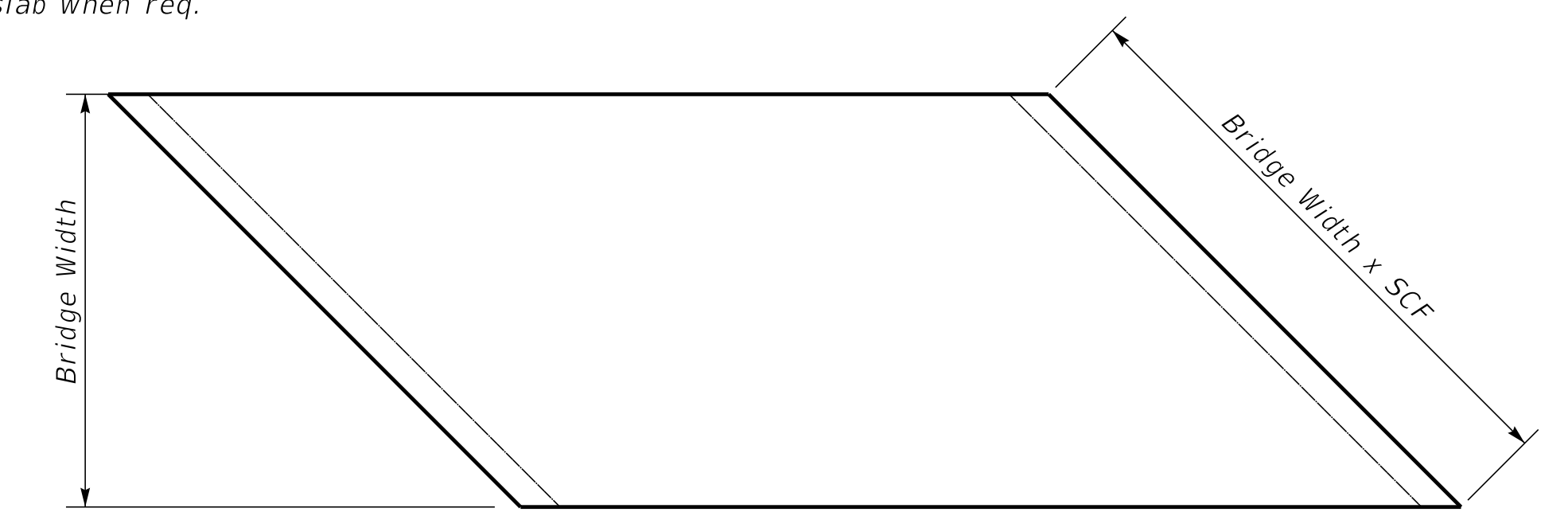


WING SECTION

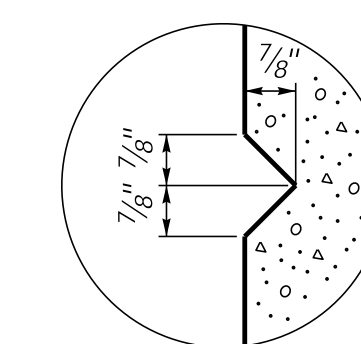


ELEVATION

Depth of int. beam, bearing pad, haunch, and slab when req.



PLAN OF SUPERSTRUCTURE SLAB



**RUSTICATION
GROOVE**

*Expansion Joint Material:
AASHTO M153
Type-I Sponge Rubber
Type-II Cork permitted with contractor provided
documentation that the Build America Buy America
requirements are satisfied.

SUBMITTED *Michael Cost* 10/25/2024
DIVISION DIRECTOR DATE



COMMONWEALTH OF KENTUCKY
DEPARTMENT OF HIGHWAYS



DRAWING TITLE: SEPIA 056 - 35° SKEW VARIABLE WIDTH ABUTMENT 50% SKEWED WINGS

ITEM NO. COUNTY OF

SHEET NO.