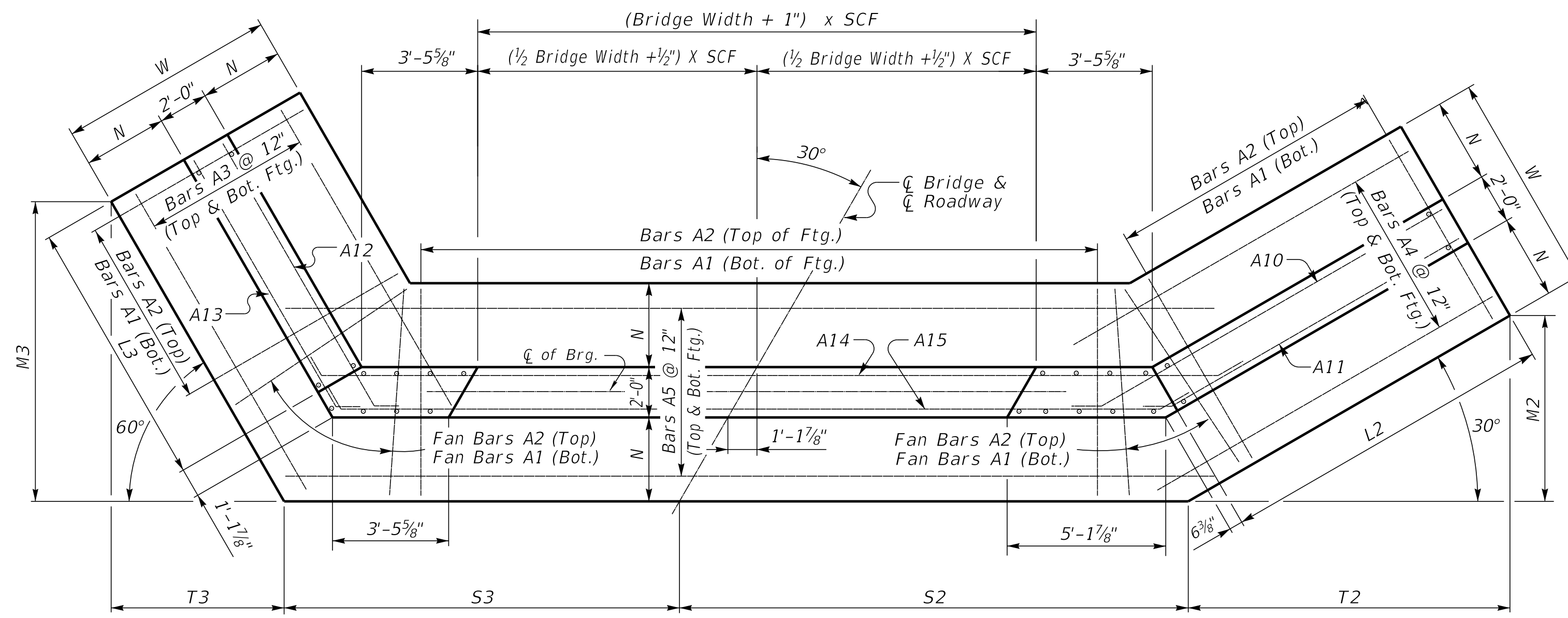


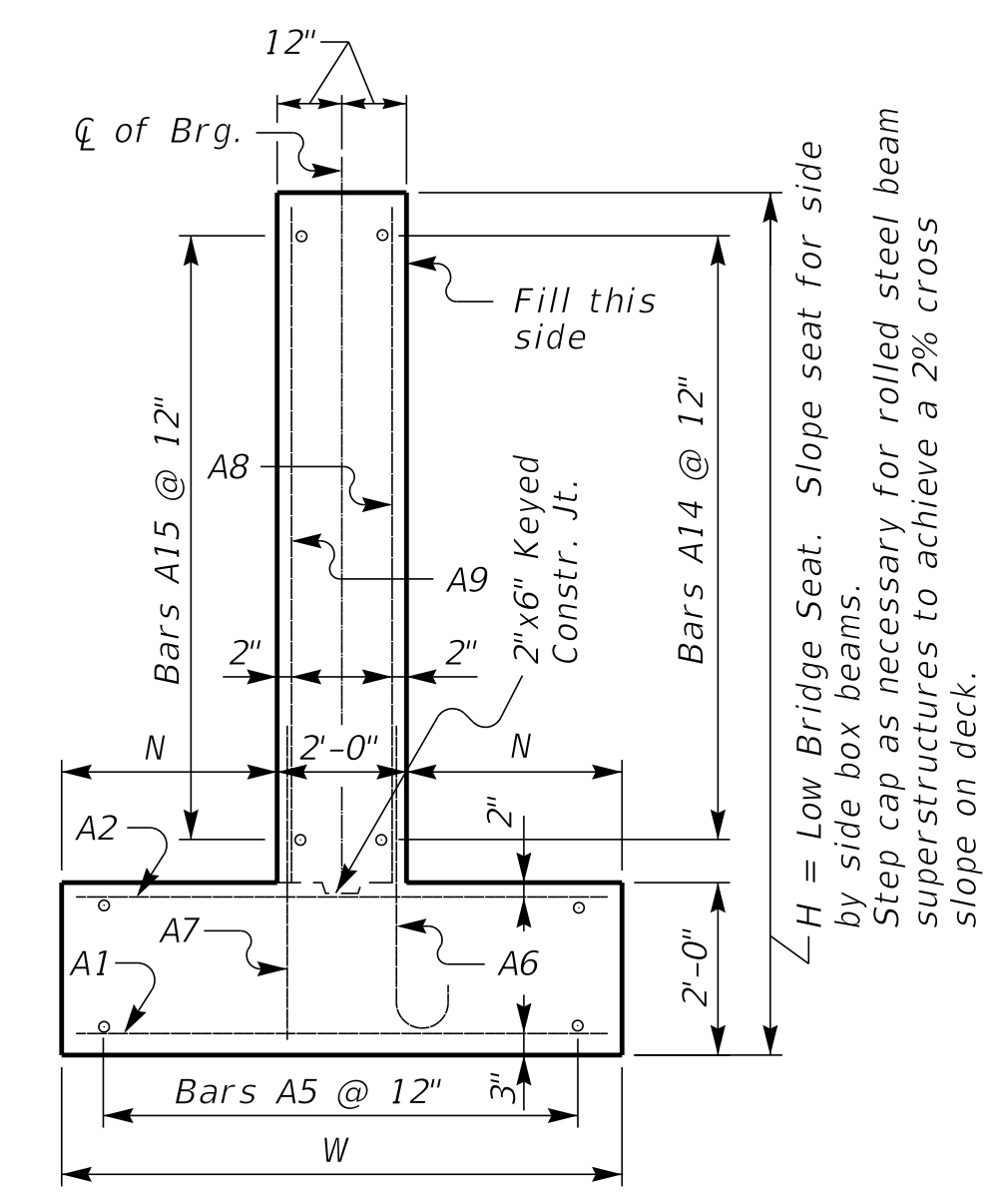
# 30° SKEW VARIABLE BRIDGE WIDTH 2:1 FILL SLOPES WINGS SKEWED 50% FROM ROADWAY TO BREASTWALL

ABUTMENT SKEW CORRECTION FACTOR (SCF) = 1.155

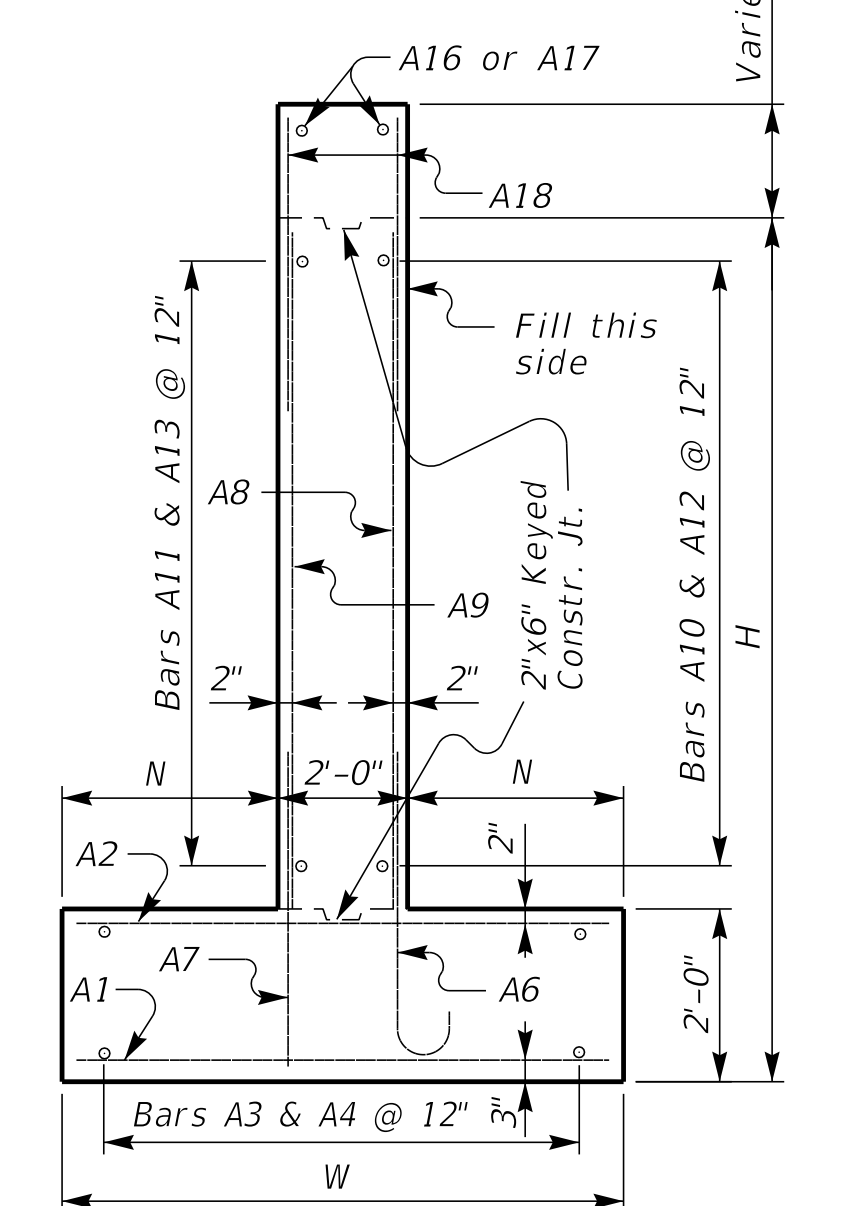


(Left Skew as shown; right skew opp. hand) **PLAN**

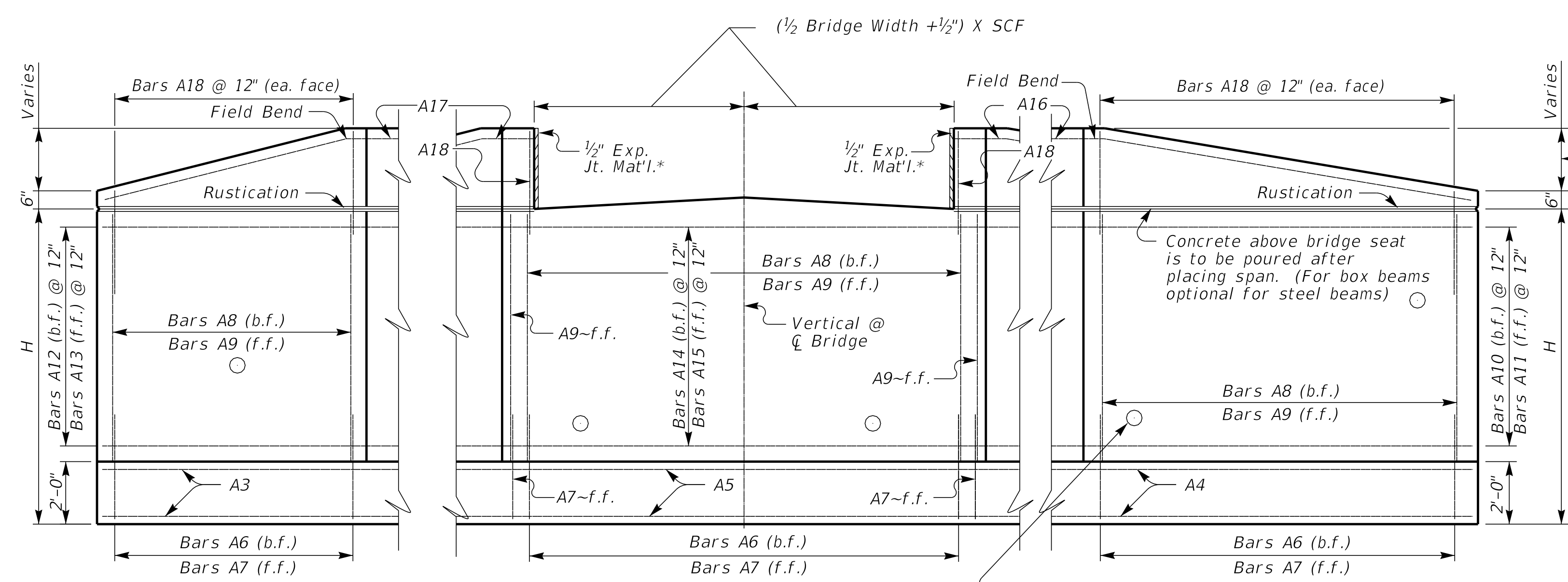
NOTE: Trim A16 & A17 bars if necessary



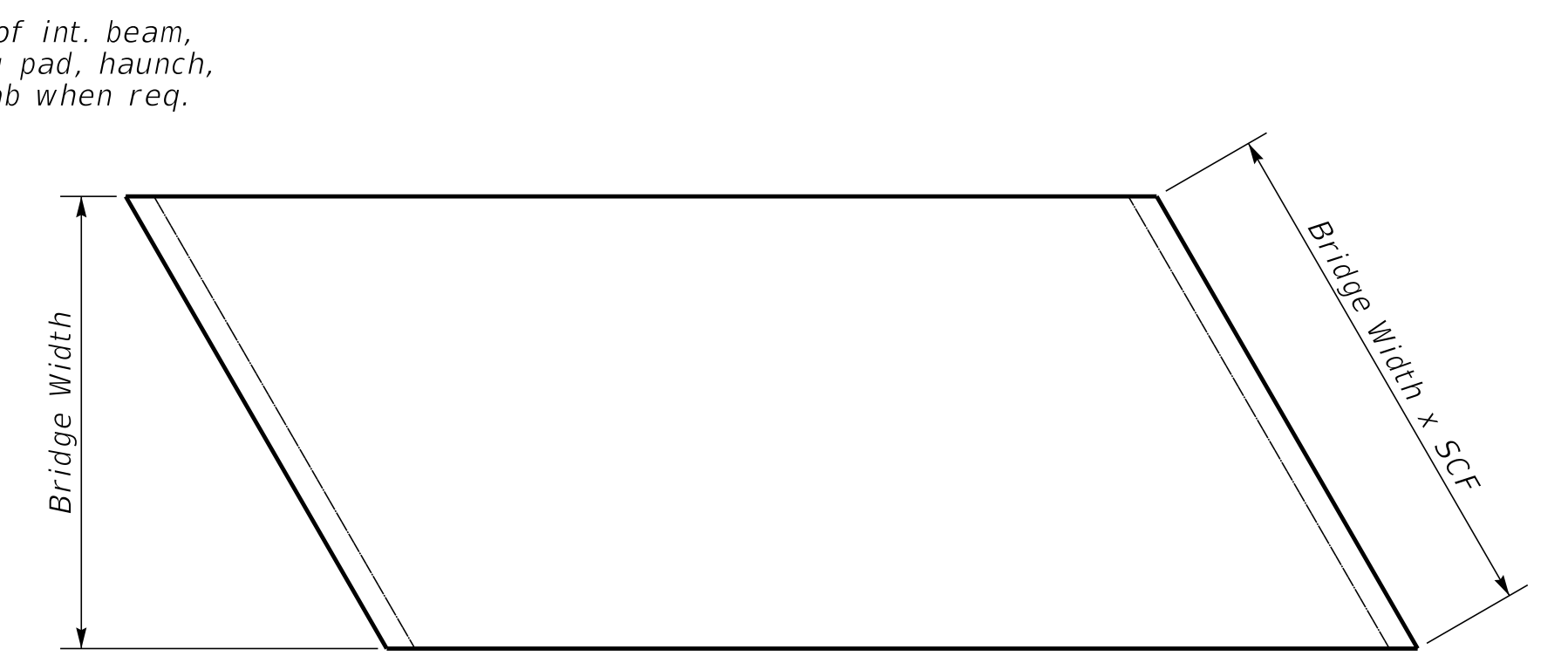
**WALL SECTION**



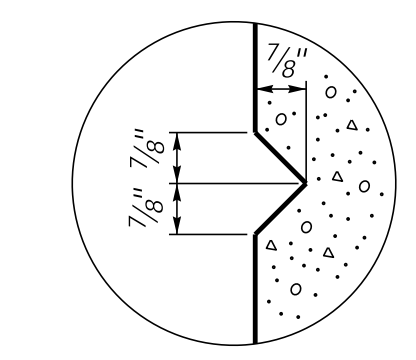
**WING SECTION**



**ELEVATION**



**PLAN OF SUPERSTRUCTURE SLAB**



**RUSTICATION GROOVE**

\*Expansion Joint Material:  
AASHTO M153  
Type-I Sponge Rubber  
Type-II Cork permitted with contractor provided  
documentation that the Build America Buy America  
requirements are satisfied.

SUBMITTED *Michael Cost* 10/25/2024  
DIVISION DIRECTOR DATE



COMMONWEALTH OF KENTUCKY  
DEPARTMENT OF HIGHWAYS

DRAWING TITLE: SEPIA 055 - 30° SKEW VARIABLE WIDTH ABUTMENT 50% SKEWED WINGS

ITEM NO. COUNTY OF  
SHEET NO.