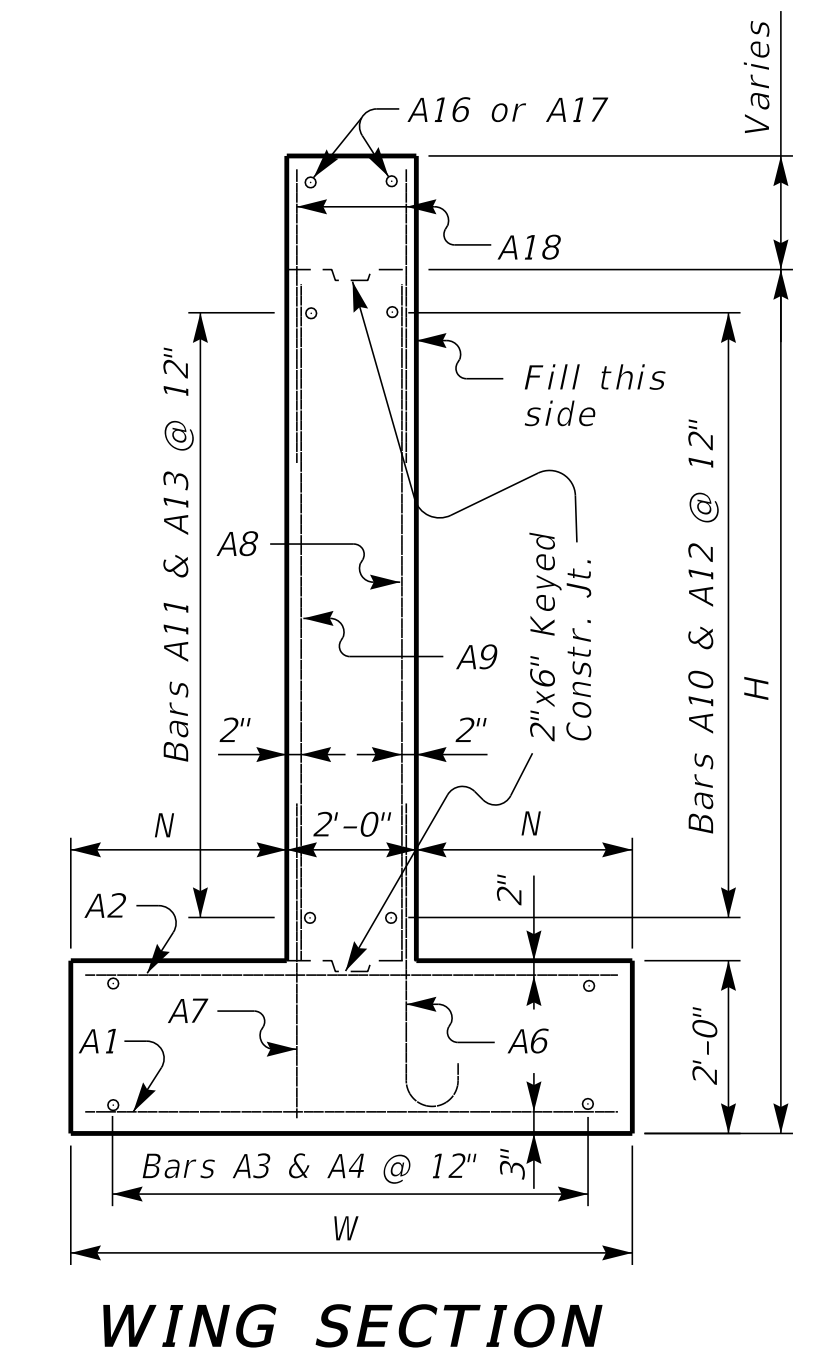
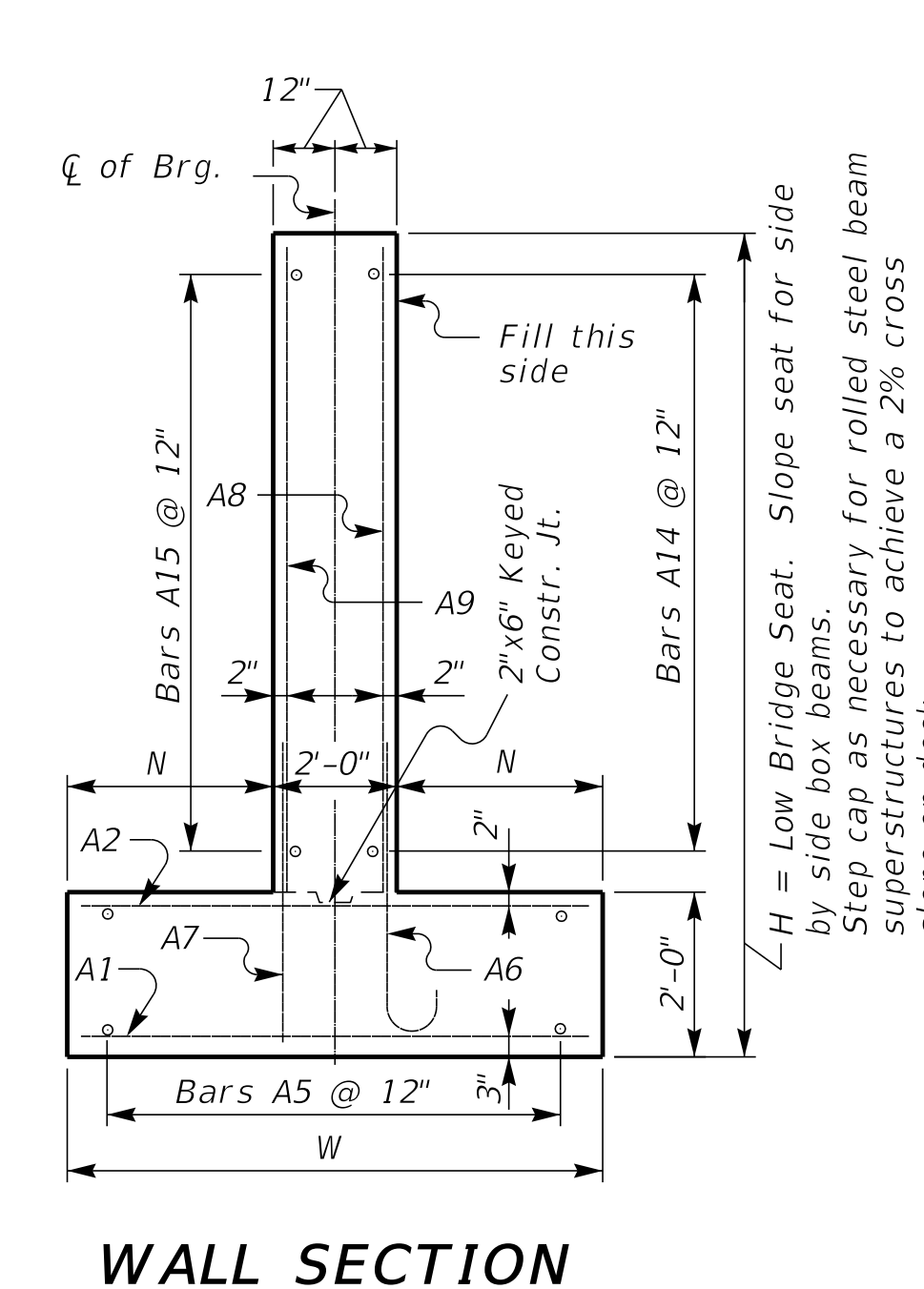
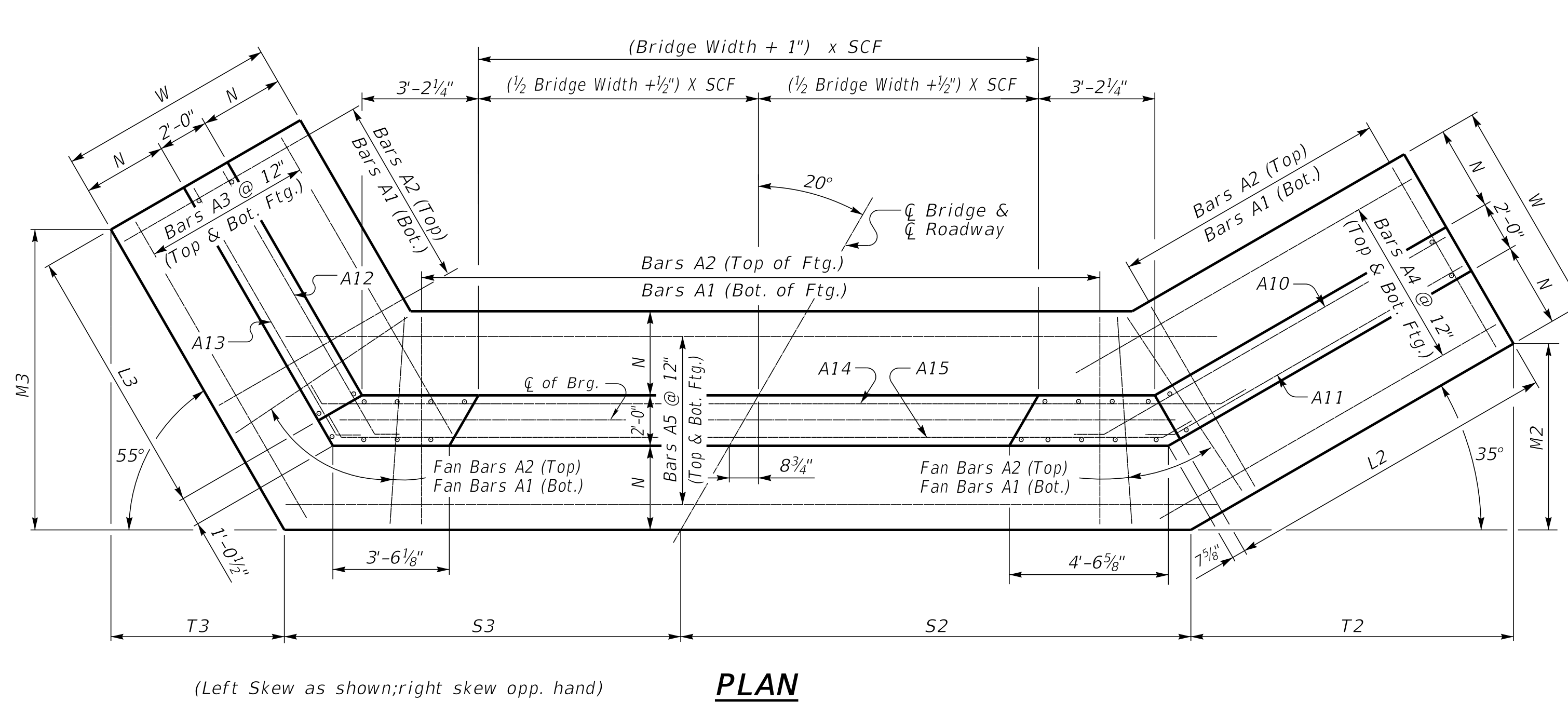
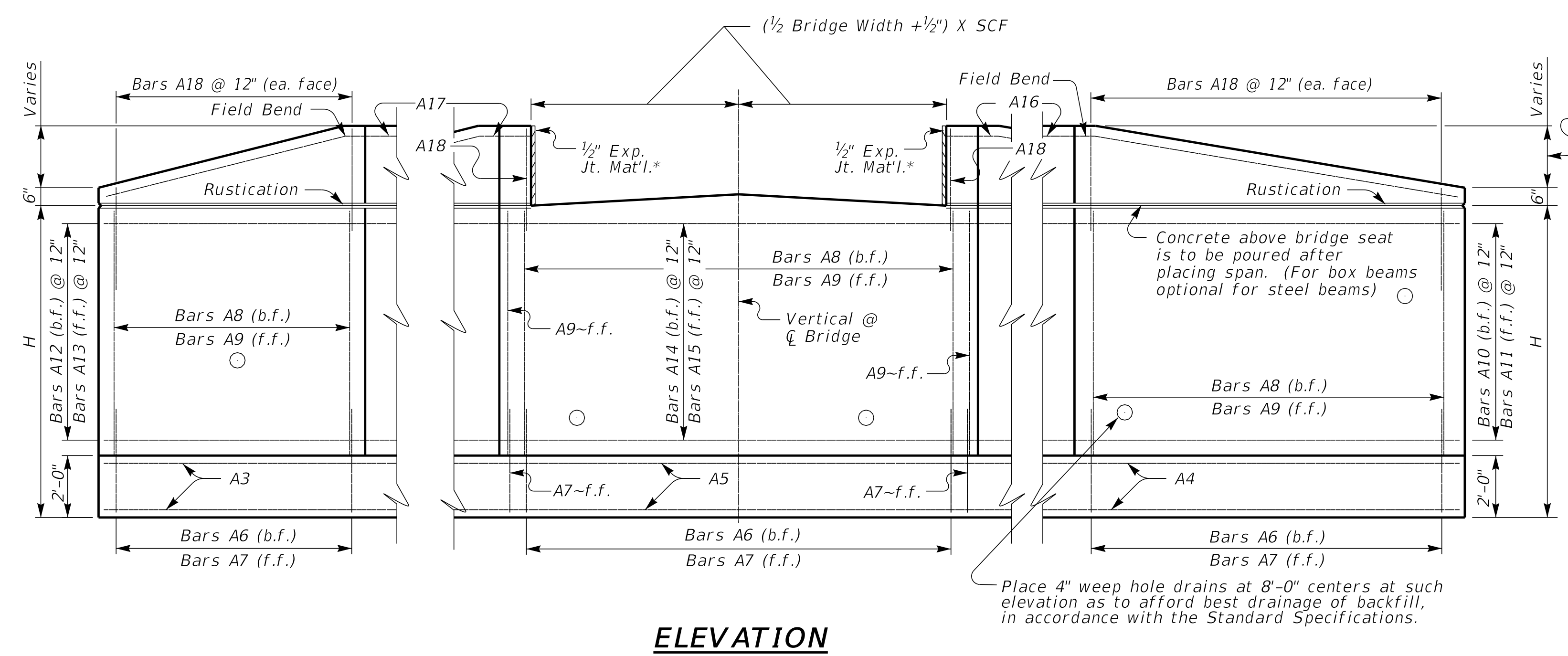


# 20° SKEW VARIABLE BRIDGE WIDTH 2:1 FILL SLOPES WINGS SKEWED 50% FROM ROADWAY TO BREASTWALL

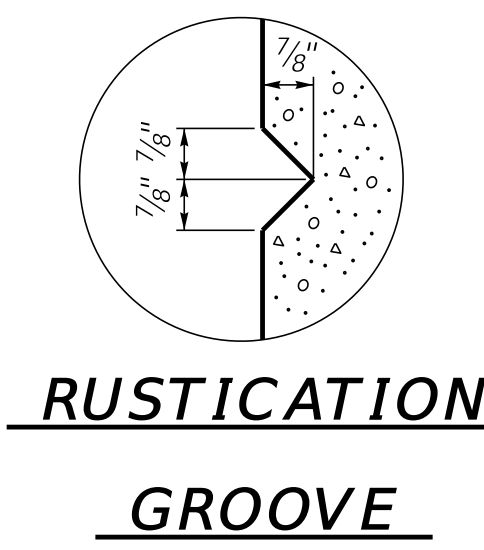
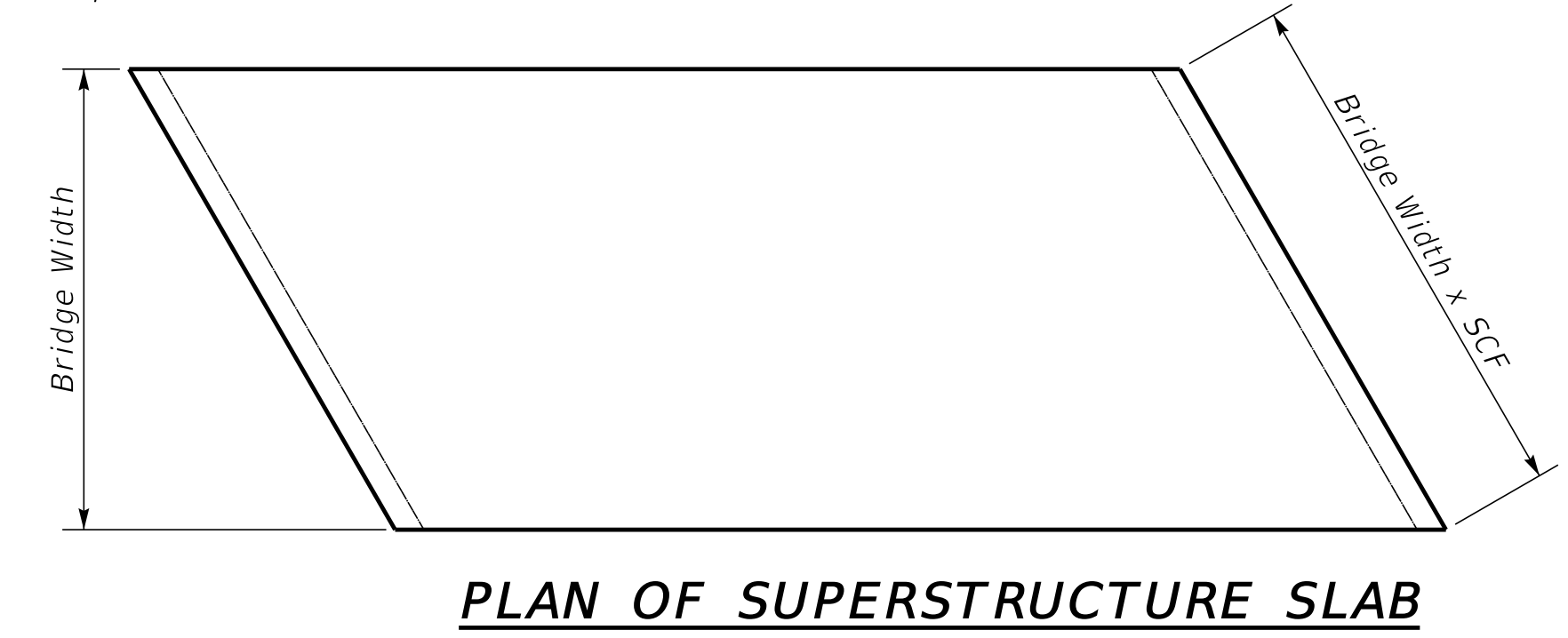
ABUTMENT SKEW CORRECTION FACTOR (SCF) = 1.064



NOTE: Trim A16 & A17 bars if necessary



Depth of int. beam, bearing pad, haunch, and slab when req.



\*Expansion Joint Material:  
AASHTO M153  
Type-I Sponge Rubber  
Type-II Cork permitted with contractor provided documentation that the Build America Buy America requirements are satisfied.

SUBMITTED *Michael Cooper* 10/25/2024  
DIVISION DIRECTOR DATE