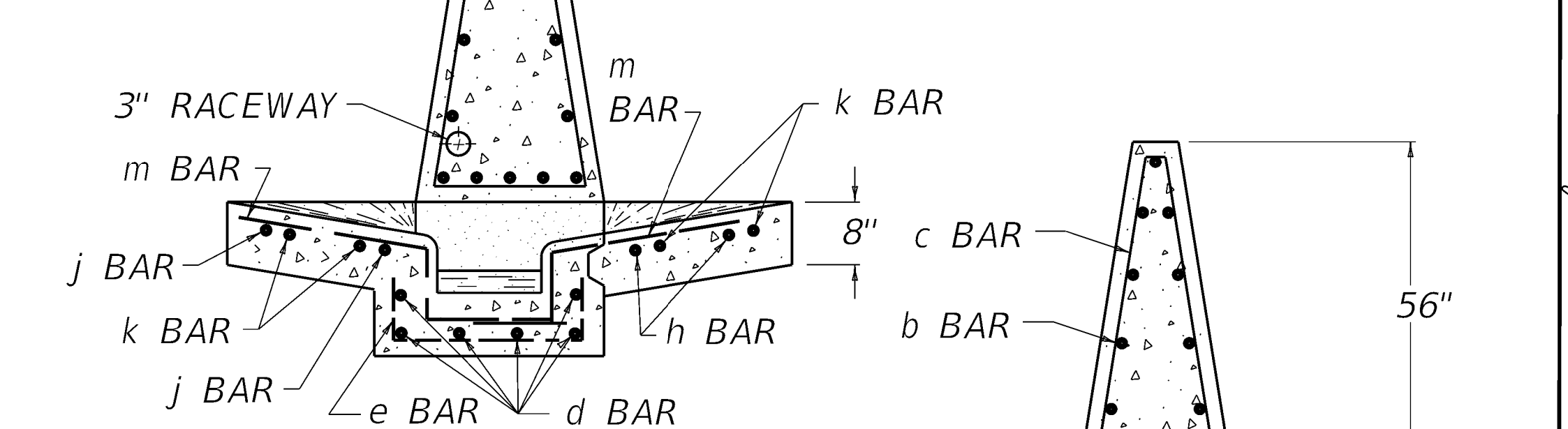
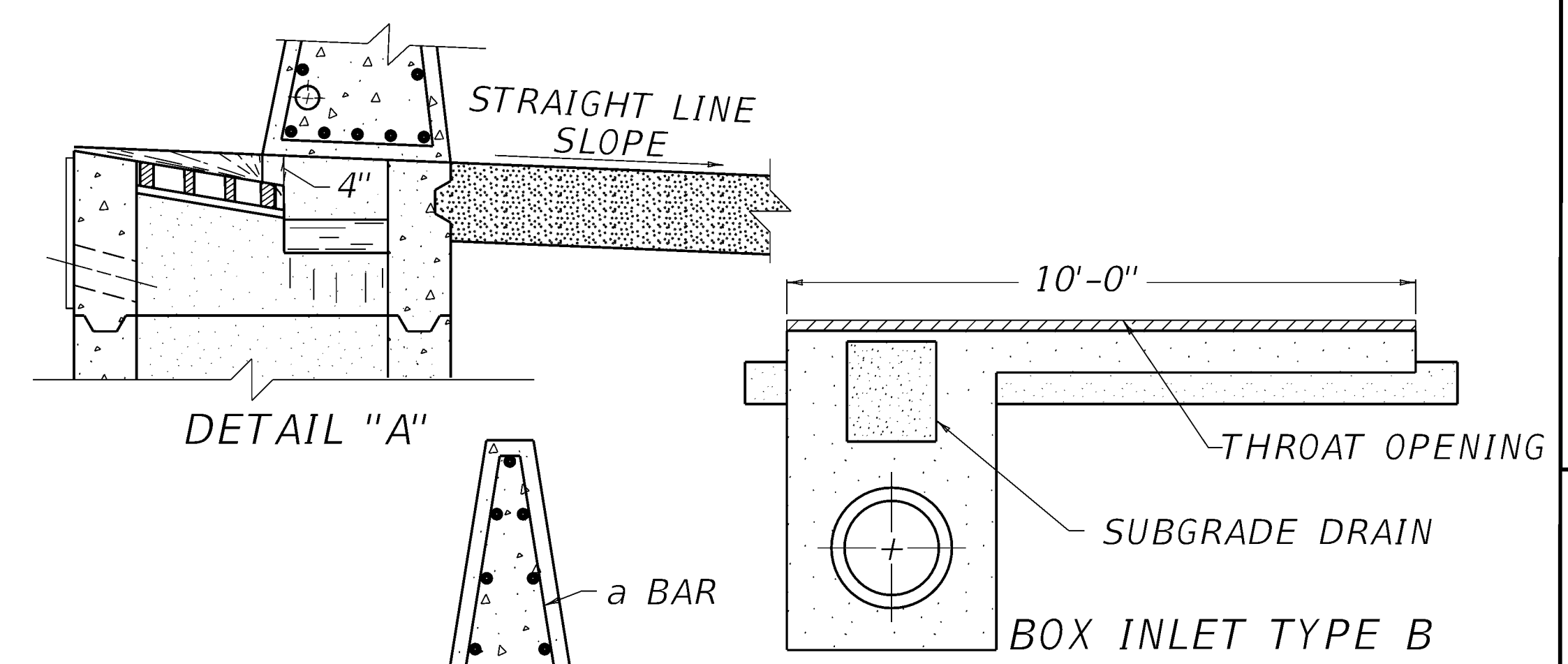
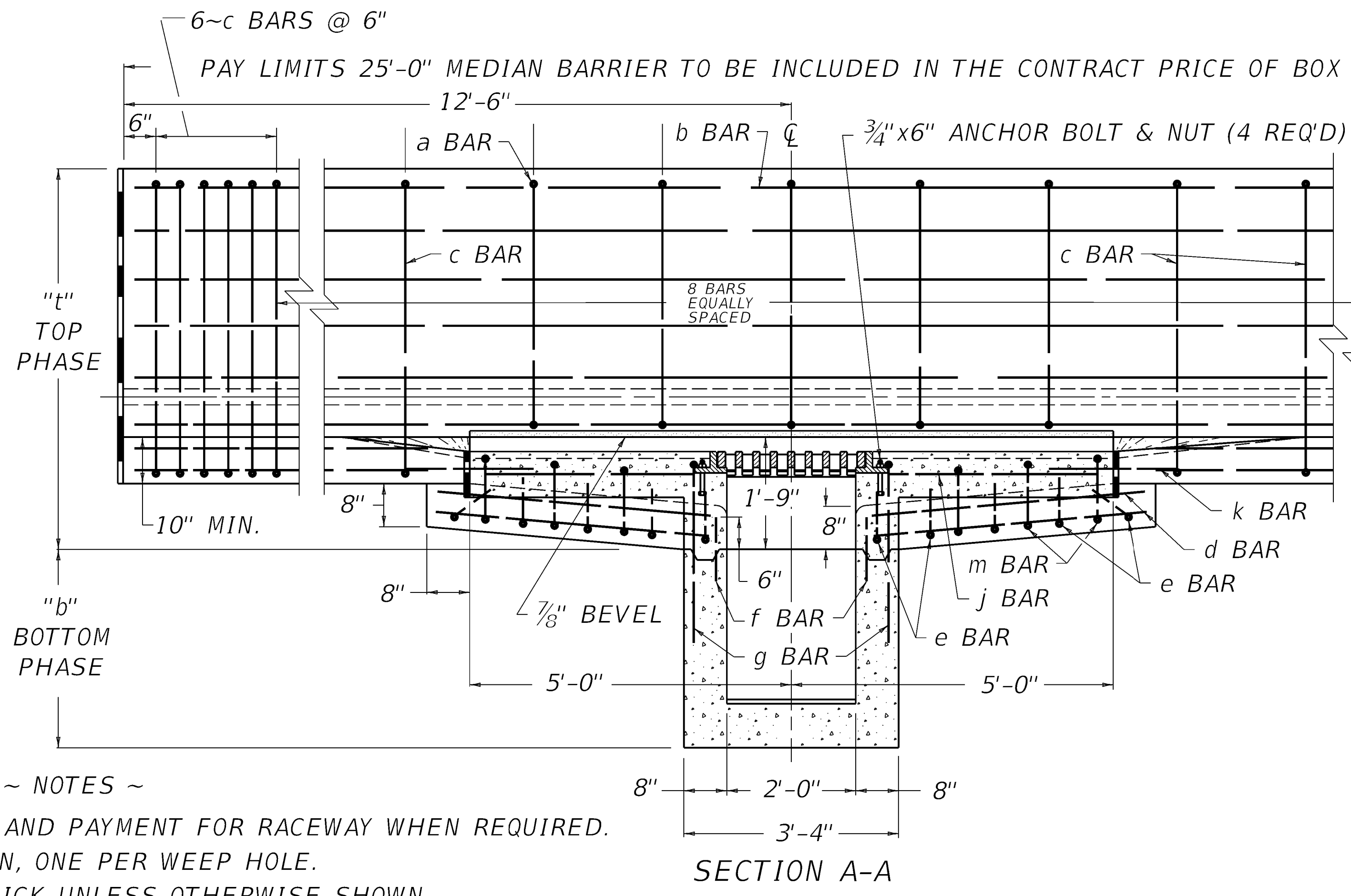


PLAN VIEW (BOX INLET TYPE A)

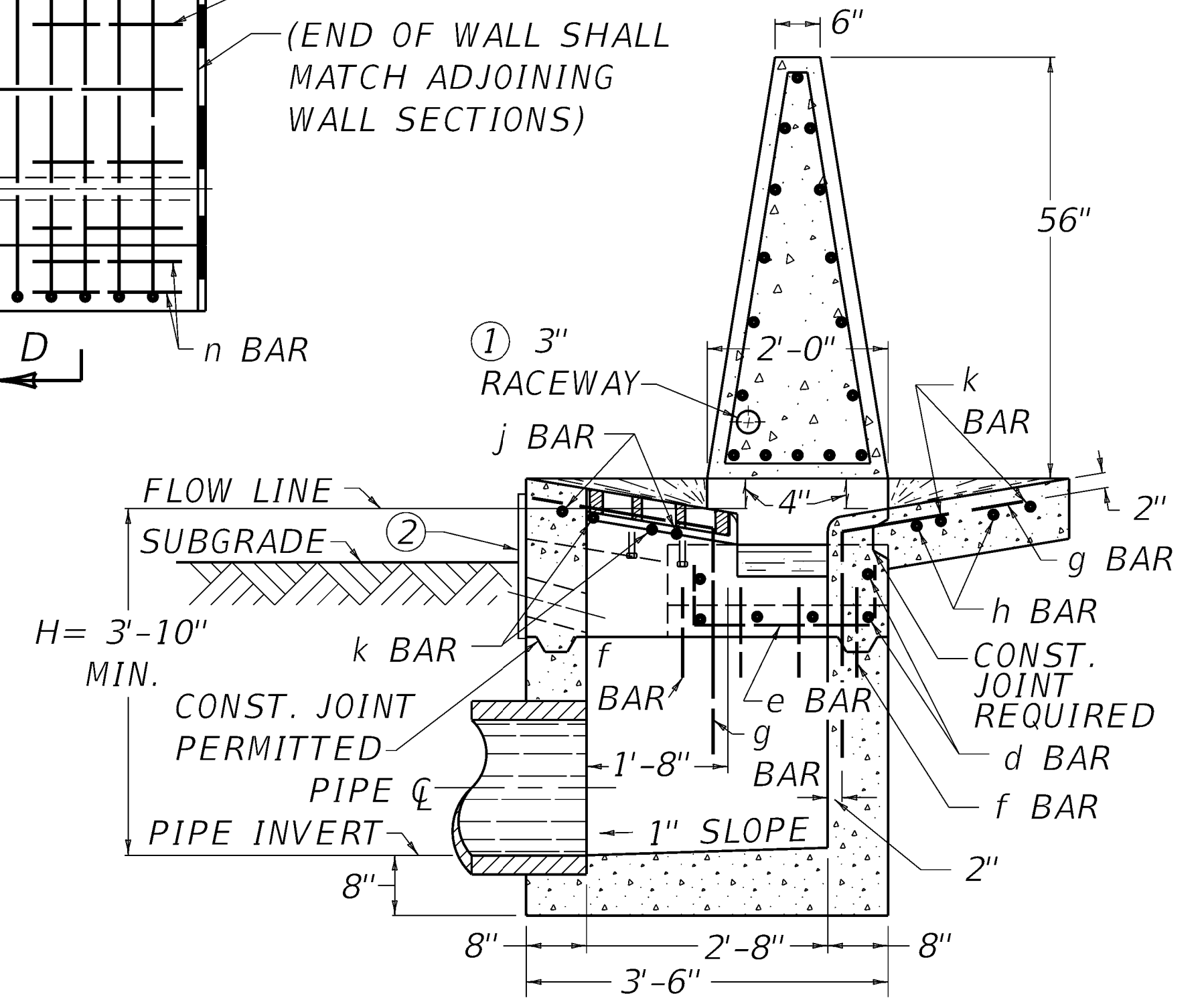


SECTION C-C

SECTION D-D



SECTION A-A



SECTION B-B

~ NOTES ~

- ① SEE PLANS FOR SIZE, LOCATION, AND PAYMENT FOR RACEWAY WHEN REQUIRED.
- ② FABRIC WRAPPED BACKFILL DRAIN, ONE PER WEEP HOLE.
3. ALL WALLS AND SLABS ARE 8" THICK UNLESS OTHERWISE SHOWN.
- ④ MEDIAN BARRIER WALL MAY BE CAST-IN-PLACE, FIXED, OR SLIP-FORMED.
5. WALL REINFORCEMENT IS DETAILED FOR CAST-IN-PLACE WALLS AND SLIP FORMED WALLS. SEE CURRENT SHEET, SHEET 006, FOR STEEL DETAIL.
6. DETAIL "A" SHOWS BOX INLET AND THE 25' CONCRETE MEDIAN BARRIER IN SUPERELEVATION.
7. PLAN VIEW DOES NOT SHOW STEEL REINFORCEMENT IN THE CONCRETE MEDIAN BARRIER.

USE WITH CURRENT SHEETS, SHEET 006 AND SHEET 010.