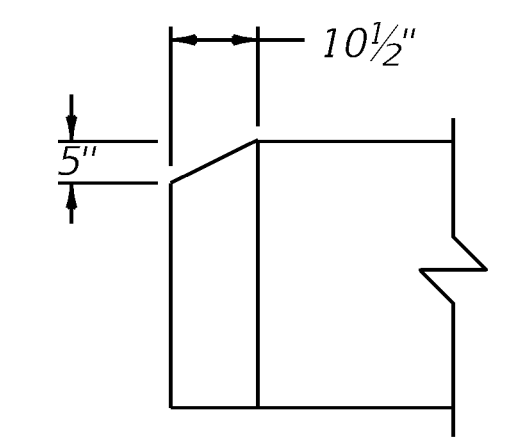
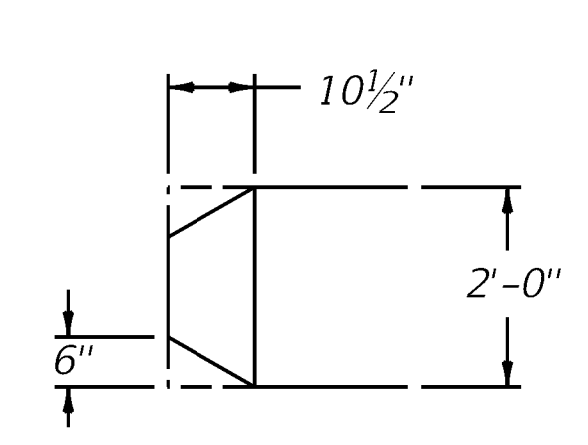
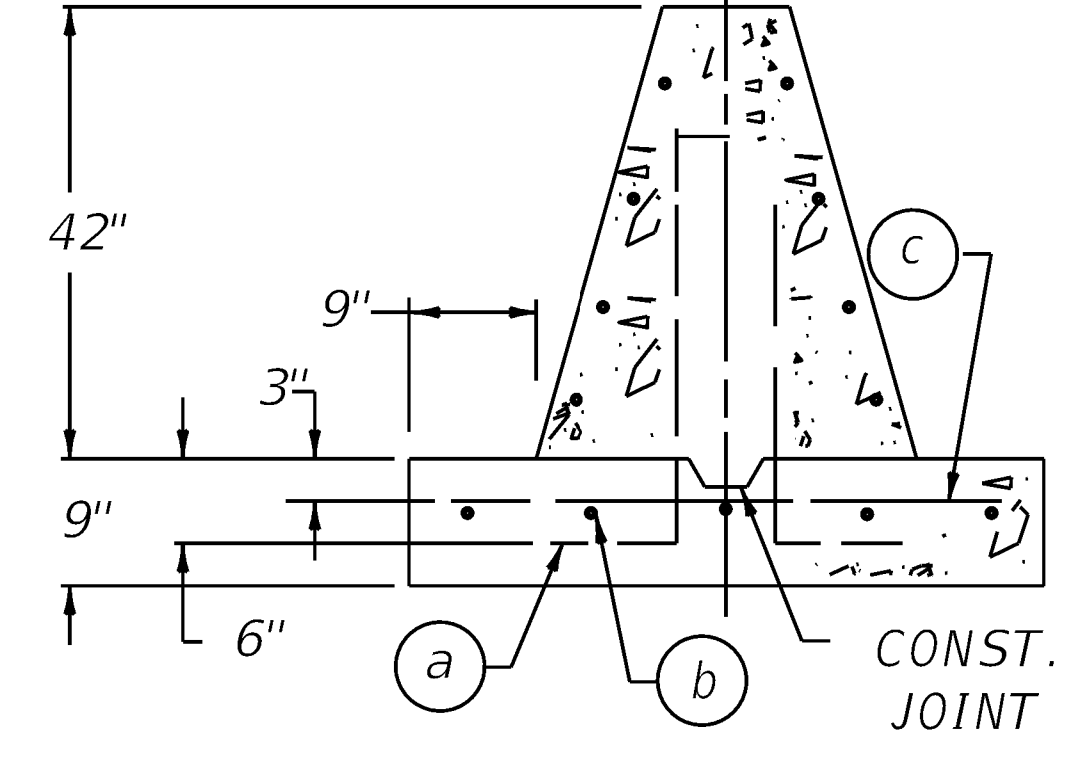
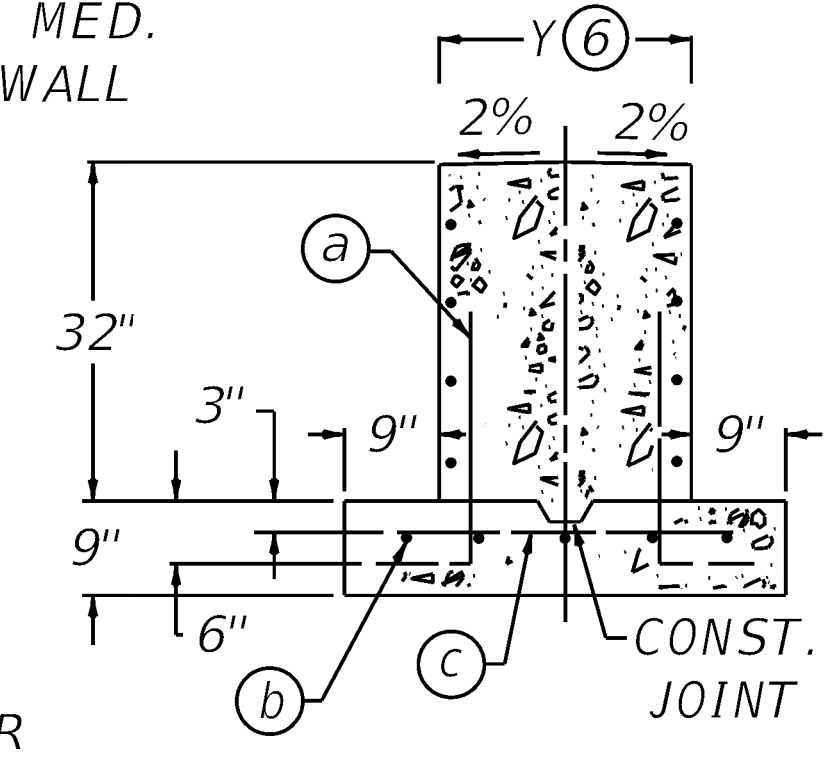
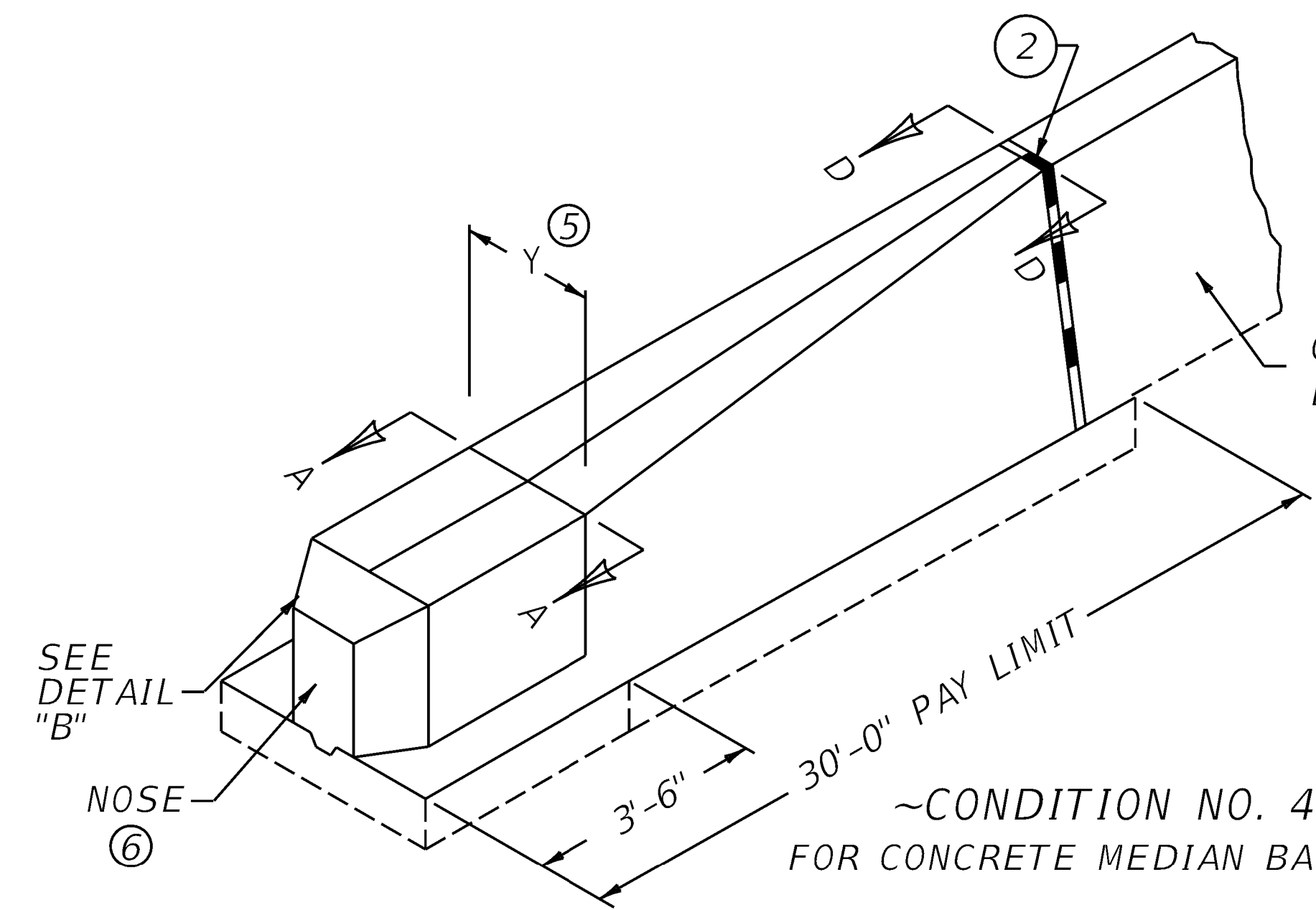


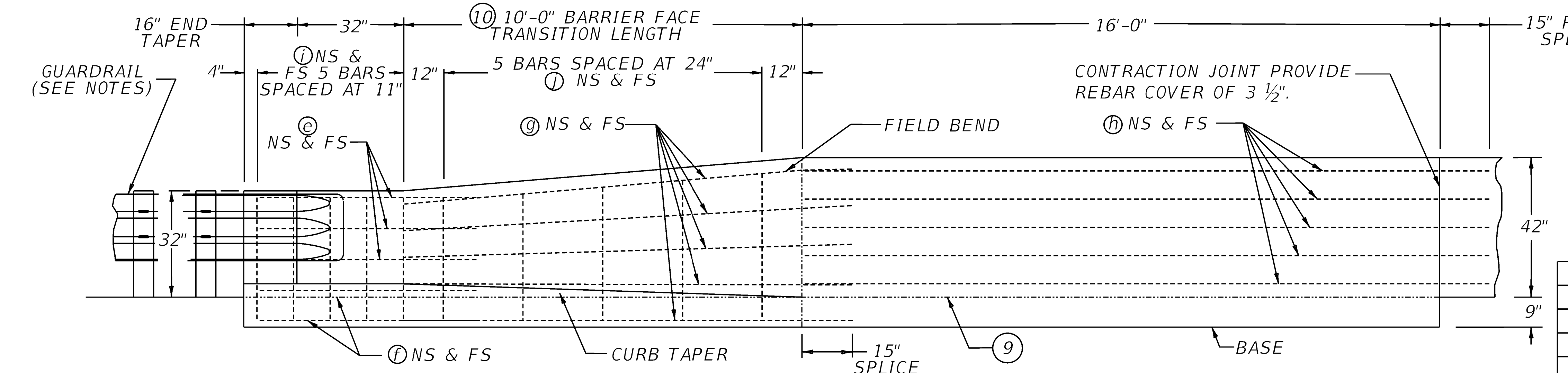
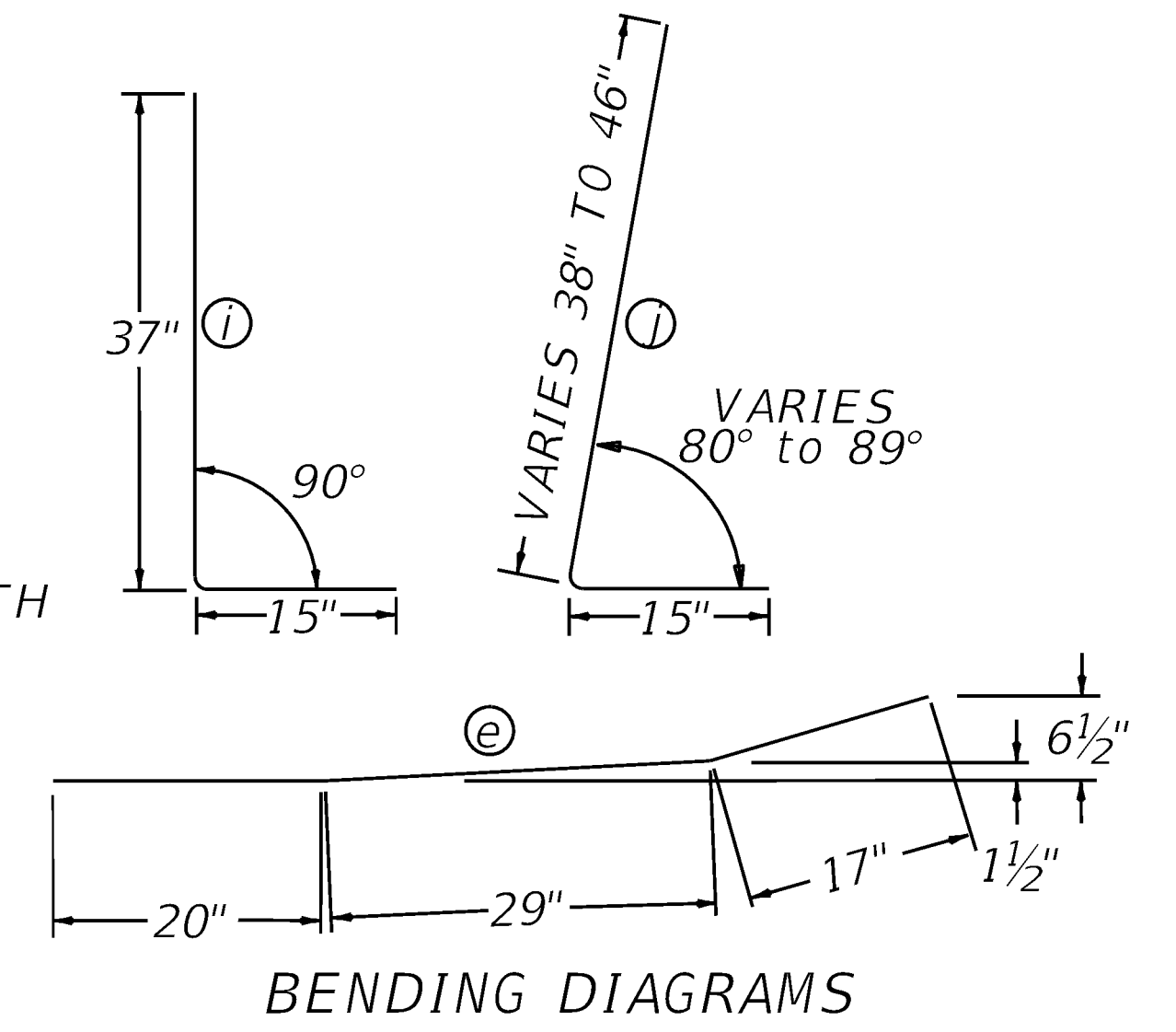
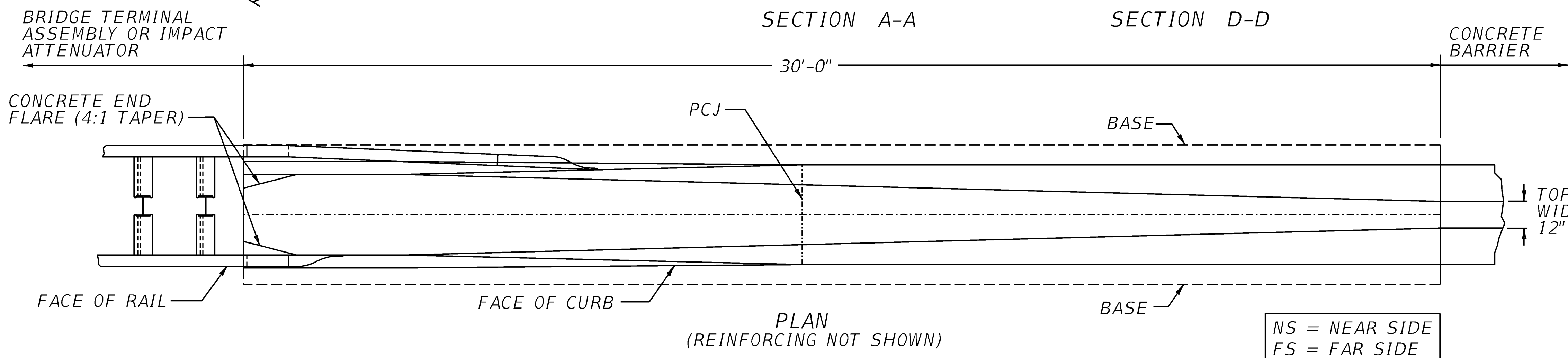
CONDITION NO.	NO. 5 STEEL REINFORCEMENT BARS										CUBIC YARD ④ CLASS "A" CONC.		
	W	BAR ③	BAR ①	BAR ③	BAR ③	BAR ③	BAR ③	BAR ③	BAR ③	BAR ③	BAR ③	Y=2'-0"	Y=1'-6"
	QTY	LGTH.	QTY	LGTH.	QTY	LGTH.	LBS.	QTY	LGTH.	LBS.			
4	12"	60	2'-9"	5	29'-8"	30	2'-8"	411	30	3'-2"	427	7.98	7.01

④ SEE NOTE 7 ON SHEET 005 FOR LONGITUDINAL DOWELS



DETAIL "A" ⑤

DETAIL "B"



~NOTES~  
 SEE CURRENT SHEET, SHEET 005, FOR ALL NOTES  
 USE WITH CURRENT SHEET, SHEET 005.

TYPE B STEEL LIST				
MARK	BAR	SHAPE	NO.	LENGTH
⑤	#5	BENT	6	5'-6"
⑥	#5	STRAIGHT	4	5'-6"
⑧	#5	STRAIGHT	10	11'-1"
⑨	#5	STRAIGHT	10	17'-2"
①	#6	BENT	10	4'-2"
②	#6	BENT	2 SERIES OF 5	VARIES 4'-3" TO 5'-3"