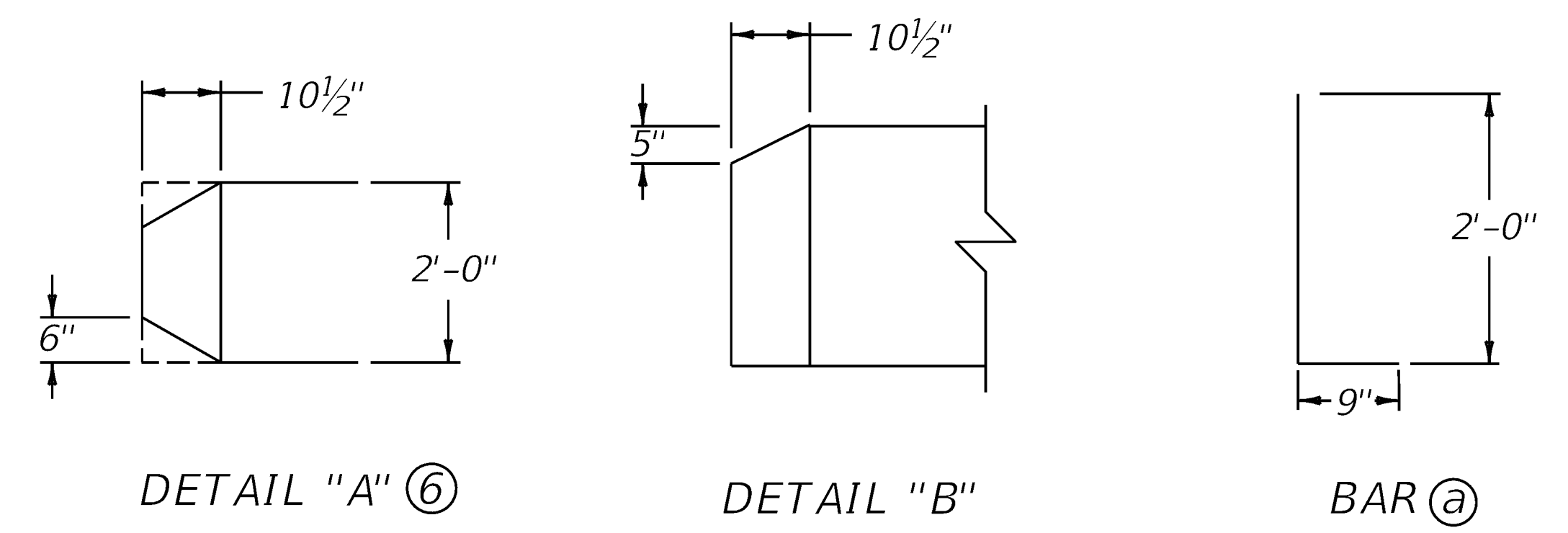


CONDITION NO.	NO. 5 STEEL REINFORCEMENT BARS										CUBIC YARD (4)		
	W	BAR (a)		BAR (b)		BAR (c) Y=1'-6"		BAR (c) Y=2'-0"		CLASS "A" CONC.			
		QTY.	LGTH.	QTY.	LGTH.	QTY.	LGTH.	LBS.	QTY.	LGTH.	LBS.	Y=2'-0"	Y=1'-6"
1	6"	52			25'-8"	52		429	52		456	13.35	12.41
2	-	24	2'-9"	5	11'-8"	24	2'-8"	197	24	3'-2"	210	4.46	3.98
3	-	40			19'-8"	40		329	40		350	7.70	6.96

(d) SEE NOTE 7 ON SHEET 005 FOR LONGITUDINAL DOWELS

~NOTES~
SEE CURRENT SHEET, SHEET 005, FOR ALL NOTES.
USE WITH CURRENT SHEET, SHEET 005.



REVISION DATE: 12.12.2024
REVISION NUMBER: 1
SUBMITTED BY: W. T. Jeyan
DATE: 02/28/2025
DIVISION DIRECTOR: _____
STATE HIGHWAY ENGINEER: _____
APPROVED: _____

BARRIERS