

APPROXIMATE QUANTITIES PER LINEAR FOOT

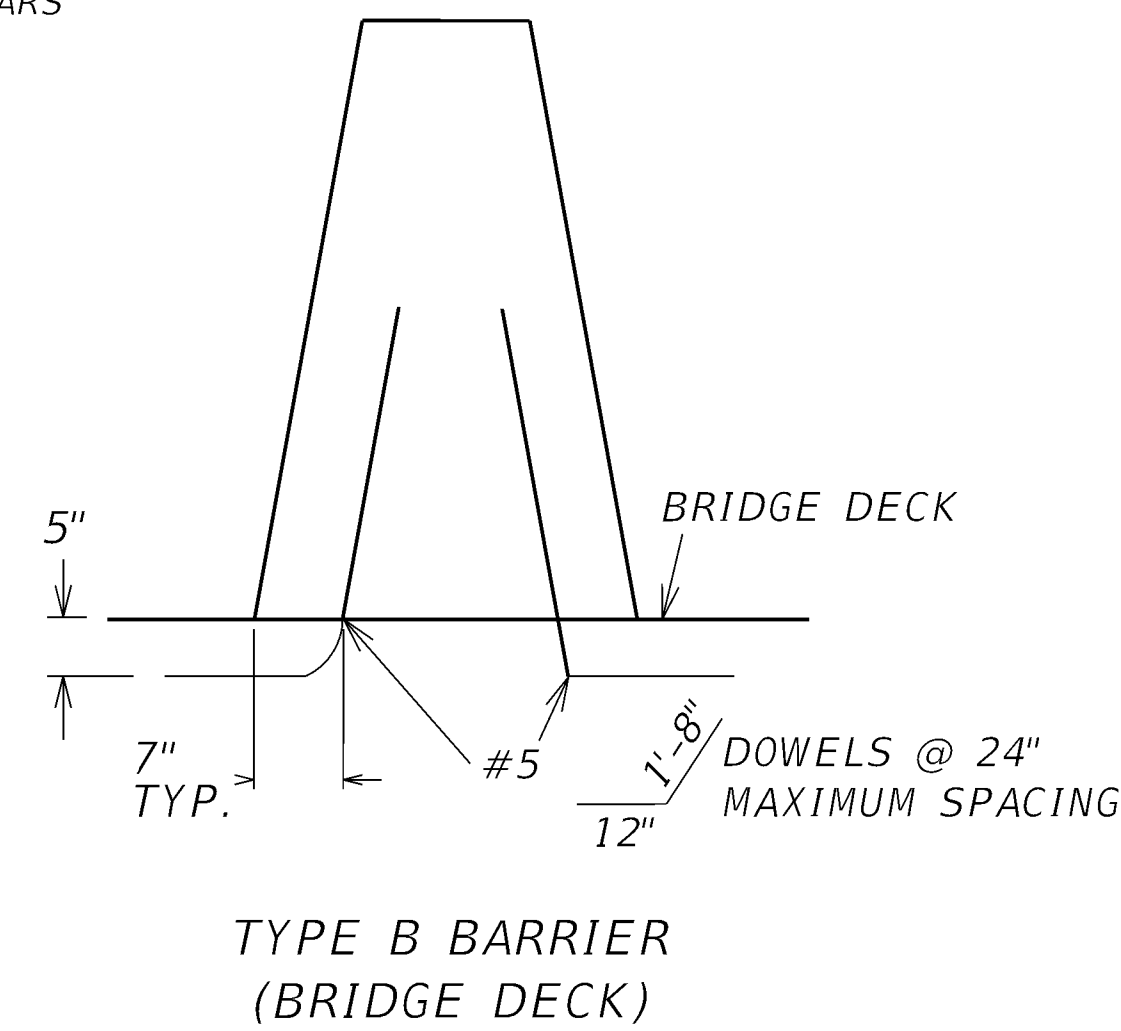
TYPE	CONC.- CUYD		STEEL - LBS	
	12"	14"	12"	14"
A	0.28	0.30	△ 1.34	△ 1.34
B	0.22	0.24	1.34	1.34
C	0.28	0.30	△ 1.34	△ 1.34
D	0.22	0.24	0.67	0.67
E	0.22	0.24	1.34	1.34

CONCRETE QUANTITIES SHOWN INCLUDE 8" BASE THICKNESS FOR TYPE A, BUT DO NOT INCLUDE QUANTITIES NECESSARY FOR ASPHALT OVERLAY THICKNESS SHOWN FOR TYPE D AND E.

THE SLOPE OF THE BARRIER WALL SHALL BE CONSISTENT, REGARDLESS OF TOP WIDTH. ADJUST THE BOTTOM WIDTH AS FOLLOWS:

W=12", BASE WIDTH=28"  
W=14", BASE WIDTH=30"

▲ WHEN REQUIRED



USE WITH CUR. SEPIA SEPIA 004

SUBMITTED *W. T. Soypan* 07-12-2021  
DIVISION DIRECTOR DATE



COMMONWEALTH OF KENTUCKY  
DEPARTMENT OF HIGHWAYS



DRAWING TITLE: SEPIA 018 - CONCRETE MEDIAN BARRIER FIXED-FORM OR SLIP-FORM (PERMANENT) (TL3 42" TALL WALL)

ITEM NO. COUNTY OF

SHEET NO.