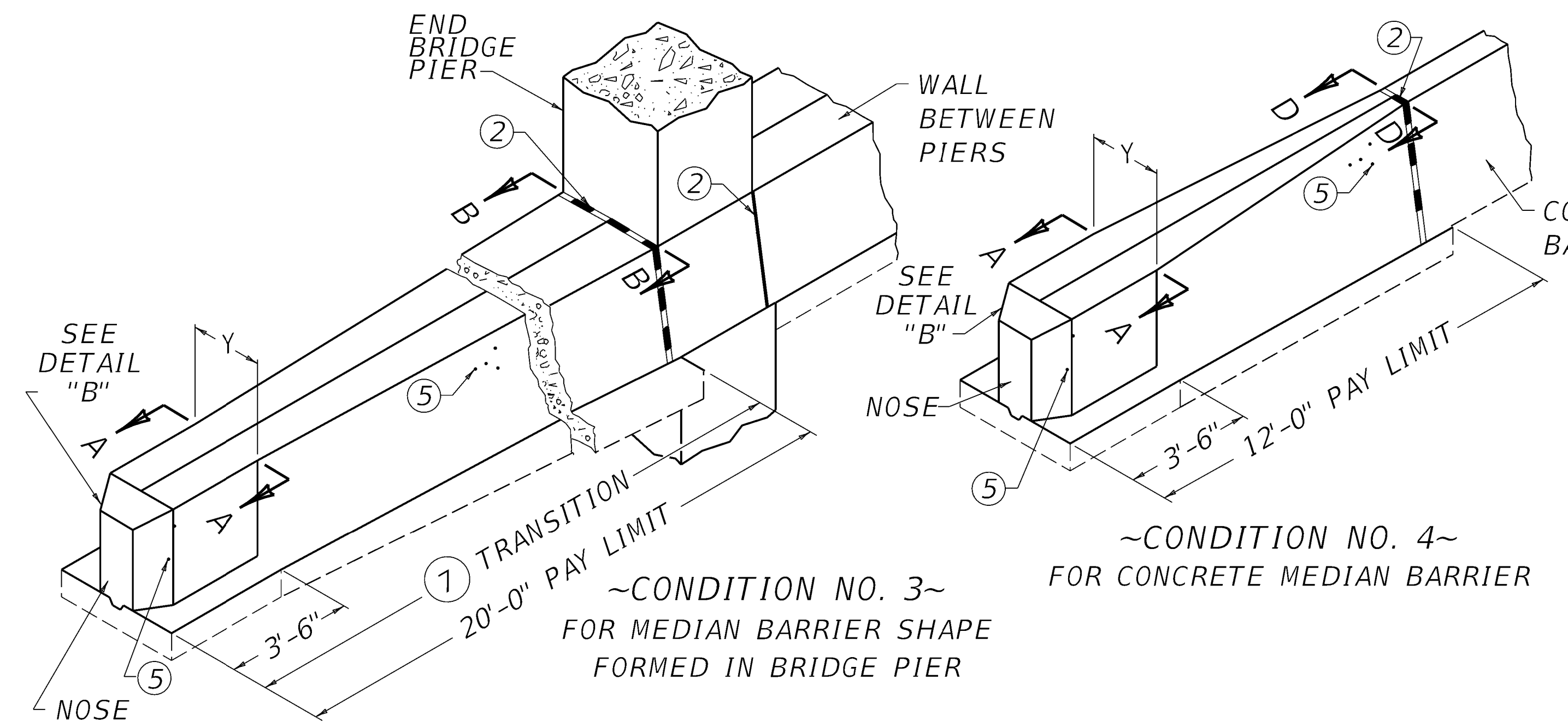


~CONDITION NO. 1~
FOR MEDIAN BARRIER SHAPE
AROUND BRIDGE PIER

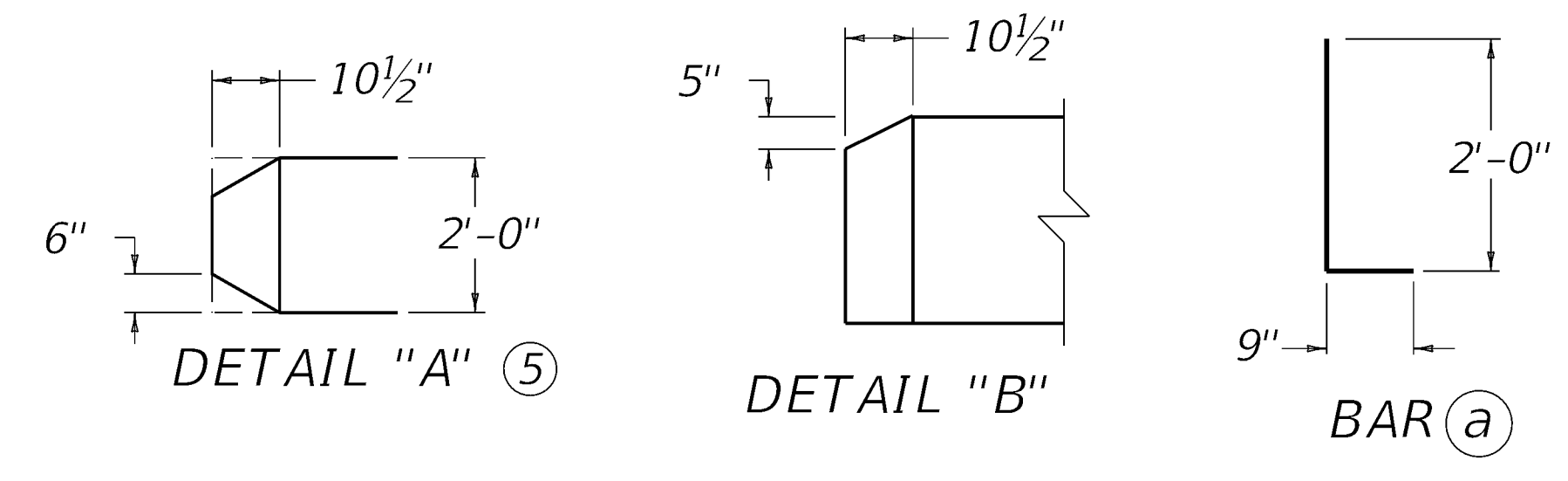
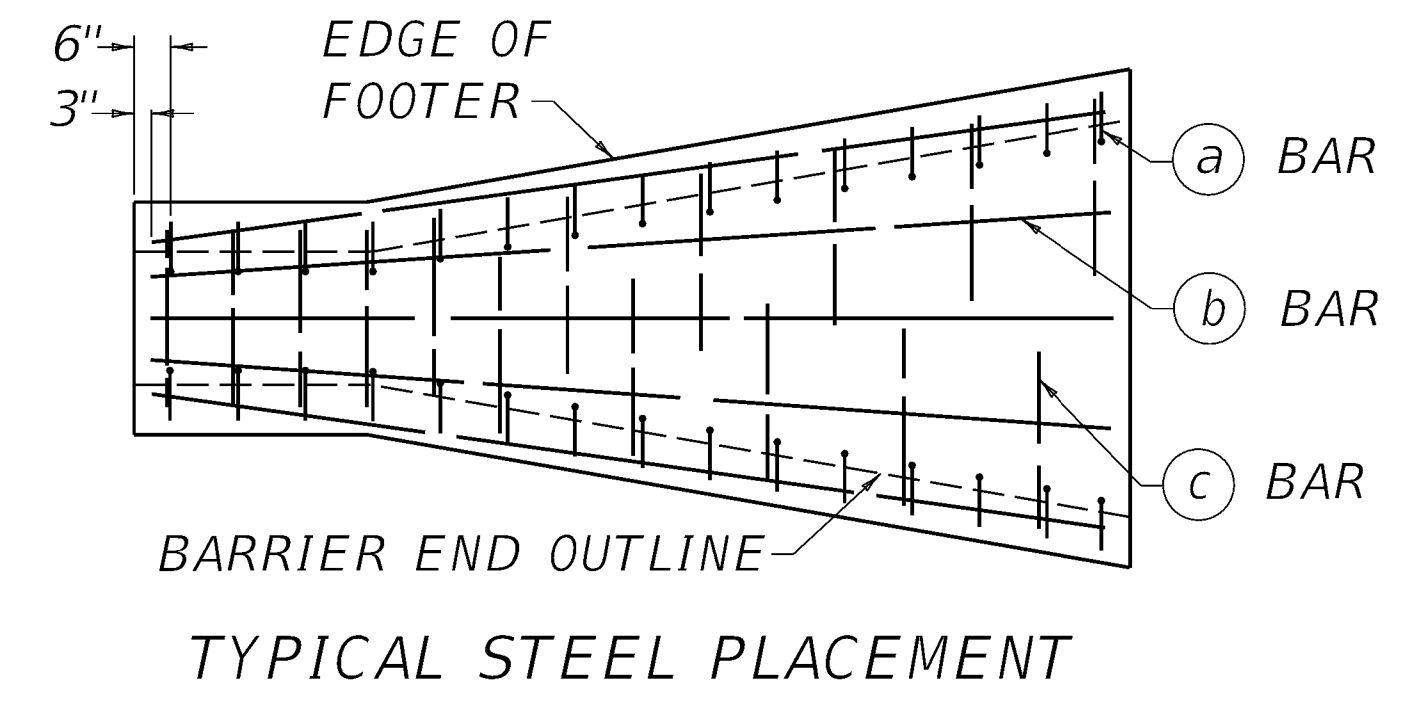
~CONDITION NO. 2~
FOR VERTICAL WALL
BETWEEN BRIDGE PIERS



~CONDITION NO. 3~
FOR MEDIAN BARRIER SHAPE
FORMED IN BRIDGE PIER

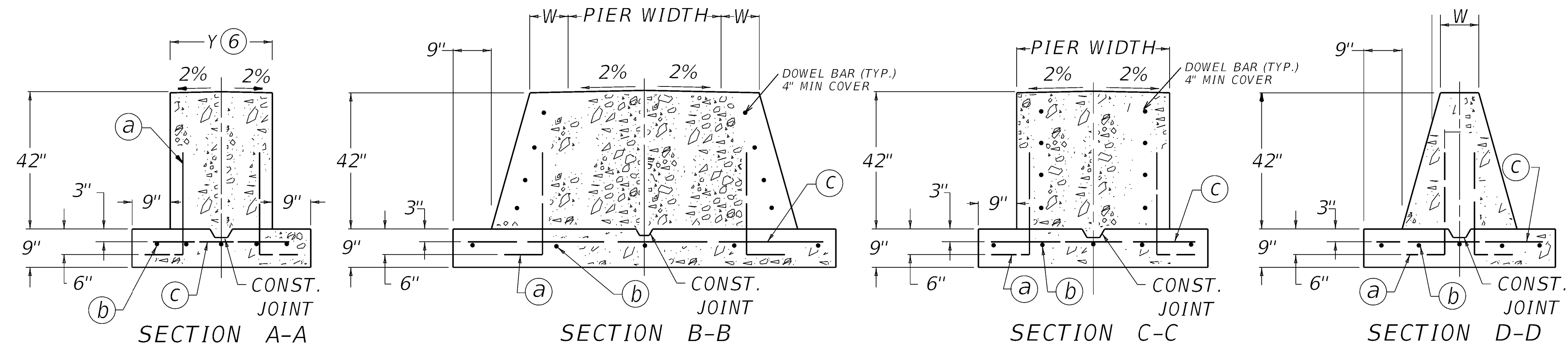
~CONDITION NO. 4~
FOR CONCRETE MEDIAN BARRIER

~ NOTES ~
SEE CURRENT SEPIA, SEPIA 005N, FOR ALL NOTES.



| CONDITION NO. | W | NO. 5 STEEL REINFORCEMENT BARS | | | | | LBS. | CUBIC YARD (4) CLASS "A" CONC. | |
|---------------|-----|--------------------------------|-----------------------|-----------------------|---------|---------|------|--------------------------------|-------|
| | | BAR (a) QTY. LGTH. | BAR (b) QTY. LGTH. | BAR (c) QTY. LGTH. | Y=2'-0" | Y=1'-6" | | | |
| 1 | 6" | 52 | | | 25'-6" | 26 | 354 | 11.56 | 10.19 |
| 2 | - | 24 | | | 11'-6" | 12 | 163 | 4.07 | 3.58 |
| 3 | - | 40 | 2'-9" | 5 | 19'-6" | 20 | 272 | 7.70 | 6.96 |
| 4 | 12" | 24 | | | 11'-6" | 12 | 163 | 3.38 | 2.89 |
| | | | | | | | | 3.51 | 3.03 |

(d) SEE NOTE 7 ON SEPIA 005N FOR LONGITUDINAL DOWELS



SUBMITTED *W. J. Jansen* 10-26-2020
DIVISION DIRECTOR DATE