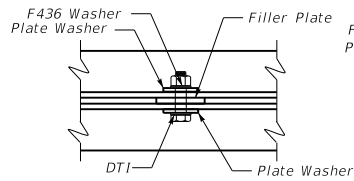
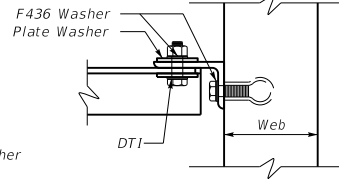


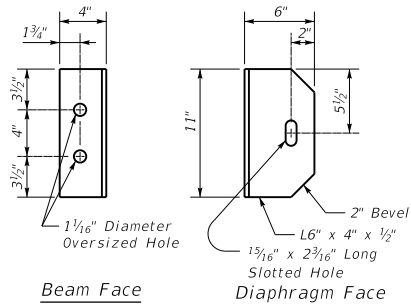
SECTION T-T



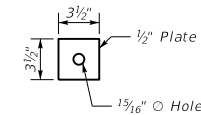
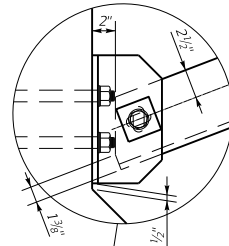
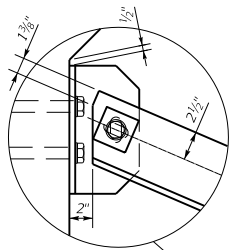
SECTION X-X



SECTION E-E



CLIP ANGLE - L1



FILLER PLATE

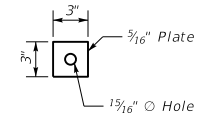
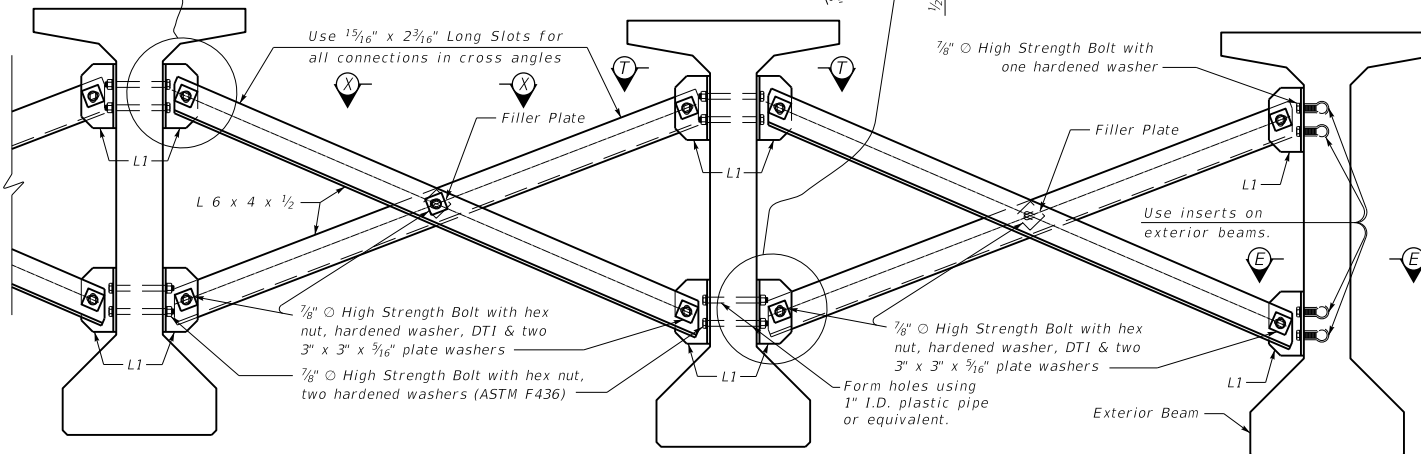


PLATE WASHER



INTERMEDIATE DIAPHRAGM DETAILS

CROSS FRAME NOTES

CONNECTIONS: Ensure all bolted connections are ASTM A325, 7/8 inch diameter high strength bolts, nuts, and washers, mechanically zinc coated in accordance with AASHTO M298, for Class 50. Install all high strength bolted field connections using "direct tension indicators" (DTI's) in accordance with the Standard Specifications and ASTM F959. Ensure all DTI's are mechanically zinc coated. Show installation details of the DTI's on the shop plans. Place DTI's under the bolt head. ASTM A449 bolts may be used in lieu of A325 for the bolts carried through the girder webs only.

STRUCTURAL STEEL: Ensure plates and angles conform to ASTM A36 or A572 and galvanized after fabrication.

SHOP DRAWINGS: Show the location of all inserts and holes on the precast beam shop drawings. Submit shop drawings for the steel diaphragms to the Division of Structural Design for approval.

DIAPHRAGMS: Erect the diaphragms the same day that the precast beams are placed on the substructure. Include the cost of all materials and labor required to fabricate and erect the diaphragms in the bid for Precast Beams.

BEAMS: This crossframe is to be used on PPC I-Beams with heights of 60 inches or greater such as Type 5-8 and HN60 to HN84.

KENTUCKY
DEPARTMENT OF HIGHWAYS
PPC I-BEAM
0° SKEW STEEL
CROSS FRAME DETAILS

STANDARD DRAWING NO. BSD-003
SUBMITTED BY: *Bob Adams* DATE: 02-26-20
APPROVED BY: *[Signature]* DIRECTOR DIVISION OF STRUCTURAL DESIGN DATE: 02-26-20
APPROVED BY: *[Signature]* STATE REGISTERED ENGINEER DATE: _____