

8'-0" Width x 4'-0" Height

Fill Height (Ft.)	Top Slab										Bottom Slab										Sidewall				Mark "E" Distribution				Quantities			
	TS	J	K	Mark	Type	Length	A	B	C	D	BS	M	N	Mark	Type	Length	A	B	C	D	SW	P	R	Mark	Type	Length	W	X	Y	Z	Concrete CY/LF	Steel LBS/LF
0-2	10"	6"	6"	A	1	10-10	8-10	1-0	0-6	9-4	11"	6"	6"	B	1	11-10	9-10	1-0	0-6	10-4	10"	5	12"	C	Str	5-4	10"	5	12"	12"	0.91	109
2.01-5	10"	6"	5"	A	1	10-10	8-10	1-0	0-6	9-4	11"	6"	5"	B	1	11-10	9-10	1-0	0-6	10-4	10"	5	12"	C	Str	5-4	10"	5	12"	12"	0.91	123
5-10	10"	5"	5"	A	1	10-7	8-11	0-10	0-5	9-4	11"	5"	5"	B	1	11-7	9-11	0-10	0-5	10-4	10"	5	12"	C	Str	5-4	10"	5	12"	12"	0.91	96
10-15	10"	6"	5"	A	1	10-10	8-10	1-0	0-6	9-4	11"	6"	5"	B	1	11-10	9-10	1-0	0-6	10-4	10"	5	12"	C	Str	5-4	10"	5	12"	12"	0.91	123
15-20	10"	7"	5"	A	1	11-1	8-9	1-2	0-7	9-4	11"	7"	5"	B	1	12-1	9-9	1-2	0-7	10-4	10"	5	12"	C	Str	5-4	10"	5	12"	12"	0.91	155
20-25	12"	7"	5"	A	1	11-1	8-9	1-2	0-7	9-4	13"	7"	5"	B	1	12-1	9-9	1-2	0-7	10-4	10"	5	12"	C	Str	5-8	10"	5	12"	12"	1.04	155
25-30	13"	8"	5"	A	1	11-2	8-8	1-3	0-8	9-4	14"	8"	5"	B	1	12-2	9-8	1-3	0-8	10-4	10"	5	12"	C	Str	5-10	10"	5	12"	12"	1.10	192
30-35	15"	8"	5"	A	1	11-2	8-8	1-3	0-8	9-4	16"	8"	5"	B	1	12-2	9-8	1-3	0-8	10-4	10"	5	12"	C	Str	6-2	10"	5	12"	12"	1.23	192
35-40	16"	9"	5"	A	1	12-2	8-4 1/4	1-11	0-11 1/4	9-4	17"	9"	5"	B	1	13-2	9-4 1/4	1-11	0-11 1/4	10-4	10"	5	11"	C	Str	6-4	10"	5	12"	12"	1.29	251

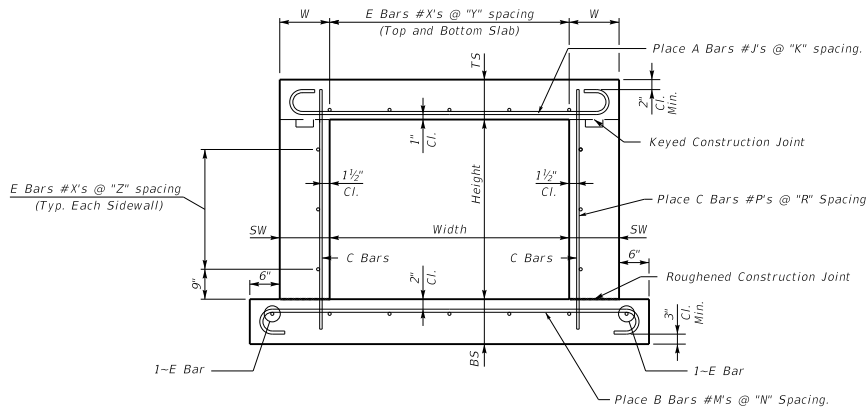
8'-0" Width x 6'-0" Height

Fill Height (Ft.)	Top Slab										Bottom Slab										Sidewall				Mark "E" Distribution				Quantities			
	TS	J	K	Mark	Type	Length	A	B	C	D	BS	M	N	Mark	Type	Length	A	B	C	D	SW	P	R	Mark	Type	Length	W	X	Y	Z	Concrete CY/LF	Steel LBS/LF
0-2	10"	6"	6"	A	1	10-10	8-10	1-0	0-6	9-4	11"	6"	6"	B	1	11-10	9-10	1-0	0-6	10-4	10"	5	12"	C	Str	7-4	10"	5	12"	12"	1.04	117
2.01-5	10"	6"	5"	A	1	10-10	8-10	1-0	0-6	9-4	11"	6"	5"	B	1	11-10	9-10	1-0	0-6	10-4	10"	5	12"	C	Str	7-4	10"	5	12"	12"	1.04	131
5-10	10"	5"	5"	A	1	10-7	8-11	0-10	0-5	9-4	11"	5"	5"	B	1	11-7	9-11	0-10	0-5	10-4	10"	5	12"	C	Str	7-4	10"	5	12"	12"	1.04	105
10-15	10"	6"	5"	A	1	10-10	8-10	1-0	0-6	9-4	11"	6"	5"	B	1	11-10	9-10	1-0	0-6	10-4	10"	5	12"	C	Str	7-4	10"	5	12"	12"	1.04	131
15-20	10"	7"	5"	A	1	11-1	8-9	1-2	0-7	9-4	11"	7"	5"	B	1	12-1	9-9	1-2	0-7	10-4	10"	5	11"	C	Str	7-4	10"	5	12"	12"	1.04	164
20-25	12"	7"	5"	A	1	11-1	8-9	1-2	0-7	9-4	13"	7"	5"	B	1	12-1	9-9	1-2	0-7	10-4	10"	5	9"	C	Str	7-8	10"	5	12"	12"	1.16	169
25-30	14"	8"	6"	A	1	11-2	8-8	1-3	0-8	9-4	15"	8"	6"	B	1	12-2	9-8	1-3	0-8	10-4	10"	5	8"	C	Str	8-0	10"	5	12"	12"	1.29	184
30-35	15"	9"	5"	A	1	12-2	8-4 1/4	1-11	0-11 1/4	9-4	16"	9"	5"	B	1	13-2	9-4 1/4	1-11	0-11 1/4	10-4	10"	5	8"	C	Str	8-2	10"	5	12"	12"	1.35	266
35-40	17"	10"	7"	A	1	12-7	8-2 1/4	2-2	1-1 1/4	9-4	18"	10"	7"	B	1	13-7	9-2 1/4	2-2	1-1 1/4	10-4	10"	5	7"	C	Str	8-6	10"	5	12"	12"	1.48	258

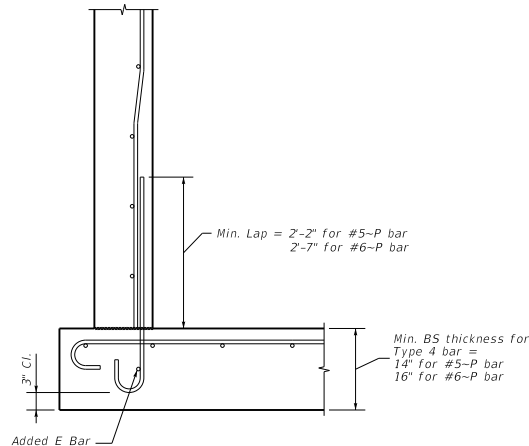
8'-0" Width x 8'-0" Height

Fill Height (Ft.)	Top Slab										Bottom Slab										Sidewall				Mark "E" Distribution				Quantities			
	TS	J	K	Mark	Type	Length	A	B	C	D	BS	M	N	Mark	Type	Length	A	B	C	D	SW	P	R	Mark	Type	Length	W	X	Y	Z	Concrete CY/LF	Steel LBS/LF
0-2	10"	6"	6"	A	1	10-10	8-10	1-0	0-6	9-4	11"	6"	6"	B	1	11-10	9-10	1-0	0-6	10-4	10"	5	12"	C	Str	9-4	10"	5	12"	12"	1.16	126
2.01-5	10"	6"	5"	A	1	10-10	8-10	1-0	0-6	9-4	11"	6"	5"	B	1	11-10	9-10	1-0	0-6	10-4	10"	5	12"	C	Str	9-4	10"	5	12"	12"	1.16	139
5-10	10"	5"	5"	A	1	10-7	8-11	0-10	0-5	9-4	11"	5"	5"	B	1	11-7	9-11	0-10	0-5	10-4	10"	5	10"	C	Str	9-4	10"	5	12"	12"	1.16	117
10-15	10"	6"	5"	A	1	10-10	8-10	1-0	0-6	9-4	11"	6"	5"	B	1	11-10	9-10	1-0	0-6	10-4	10"	5	9"	C	Str	9-4	10"	5	12"	12"	1.16	146
15-20	11"	7"	5"	A	1	11-1	8-9	1-2	0-7	9-4	12"	7"	5"	B	1	12-1	9-9	1-2	0-7	10-4	10"	5	7"	C	Str	9-6	10"	5	12"	12"	1.22	186
20-25	12"	8"	5"	A	1	11-2	8-8	1-3	0-8	9-4	13"	8"	5"	B	1	12-2	9-8	1-3	0-8	10-4	10"	5	7"	C	Str	9-8	10"	5	12"	12"	1.28	222
25-30	14"	8"	5"	A	1	11-2	8-8	1-3	0-8	9-4	15"	8"	5"	B	1	12-2	9-8	1-3	0-8	10-4	10"	5	5"	C	Str	10-0	10"	5	12"	12"	1.41	238
30-35	15"	9"	5"	A	1	12-2	8-4 1/4	1-11	0-11 1/4	9-4	16"	9"	5"	B	1	13-2	9-4 1/4	1-11	0-11 1/4	10-4	10"	6	6"	C	Str	10-2	10"	5	12"	12"	1.47	306
35-40	17"	9"	5"	A	1	12-2	8-4 1/4	1-11	0-11 1/4	9-4	18"	9"	5"	B	1	13-2	9-4 1/4	1-11	0-11 1/4	10-4	10"	6	5"	C	Str	10-6	10"	5	12"	12"	1.60	321

NOTE:  
Bar Dimensions are per bar.



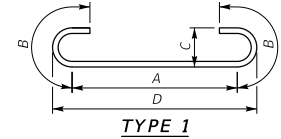
TYPICAL BARREL SECTION



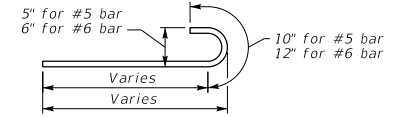
OPTIONAL HOOK DETAIL

NOTE:  
The contractor will not be paid additionally if optional hook detail is used.

NOTE:  
A & B bars may need to be rotated to maintain shown clearances.



TYPE 1



TYPE 4

KENTUCKY  
DEPARTMENT OF HIGHWAYS

STANDARD CULVERT  
8' - 0" WIDTH

STANDARD DRAWING NO. BSC-003

SUBMITTED *Bert Adams* 02-26-20  
DATE DIRECTOR DIVISION OF STRUCTURAL DESIGN  
APPROVED *[Signature]* 02-26-20  
DATE STATE HIGHWAY ENGINEER